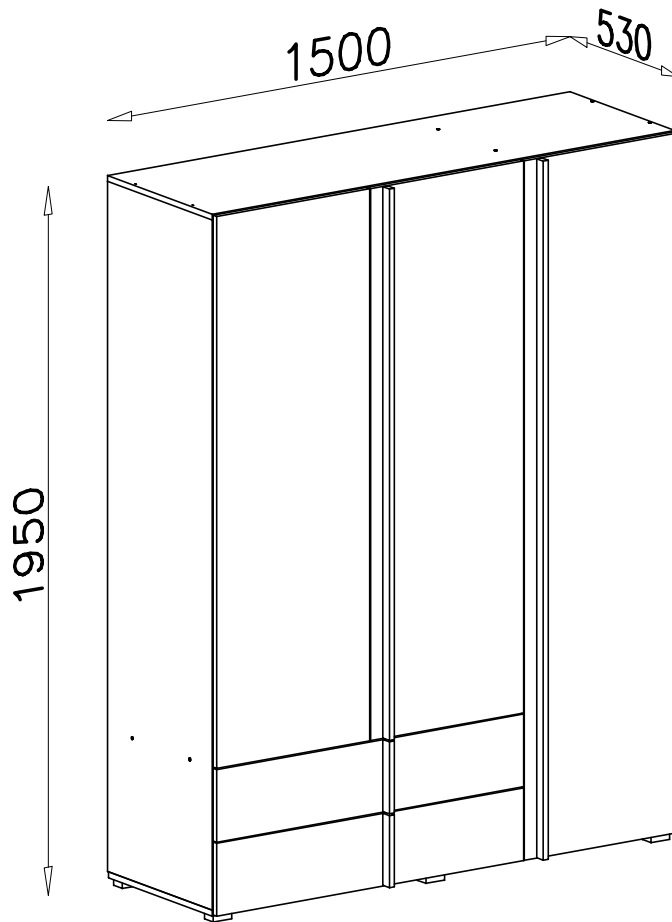
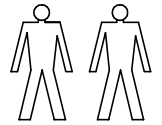
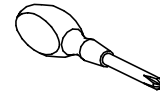
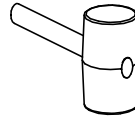
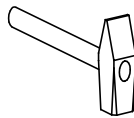
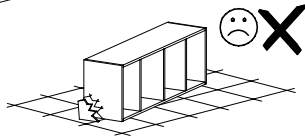
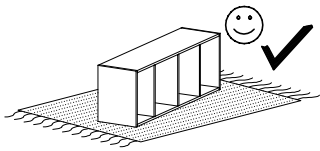




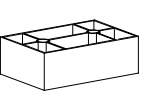
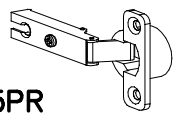
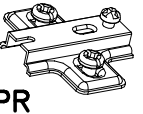
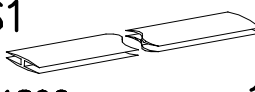
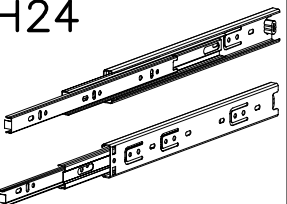



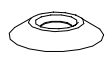
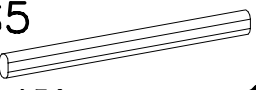

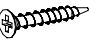


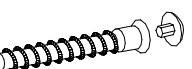

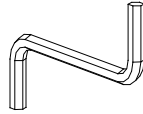

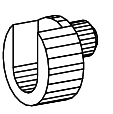


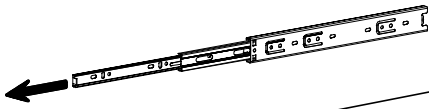
REMO RM 1



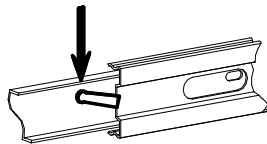
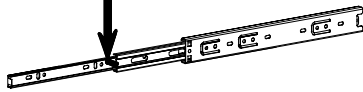
	B2  $\varnothing 6 \times 30$ x14	E3  1922mm x1	E2  1516mm x1	E1  198mm x2
P2  x6	C3  Z35PR x9	D3  PZ35PR x9	S1  1896mm x1	H24  400mm x2
G12  3,5x25 x12	W1  GLUE, LEIM, LEPIDLO, LIM x3	G8  4x30 x9	S2  x13	
S5  956mm x1	G4  4x16 x18	G2  3x20 x80	G6  3x13 x2	G1  4x13 x20
A1  $\varnothing 7 \times 50$ x20	B7  $\varnothing 8 \times 30$ x46	W2  x1	F1  x16	S4  x2

I

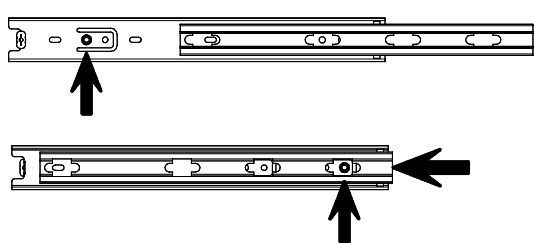
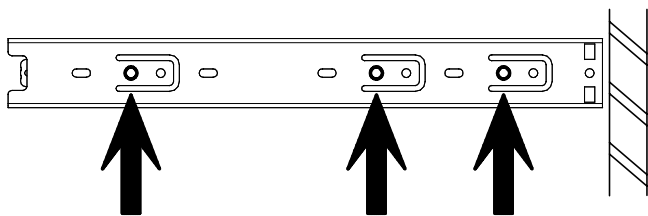
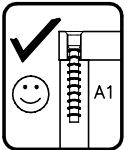
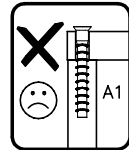
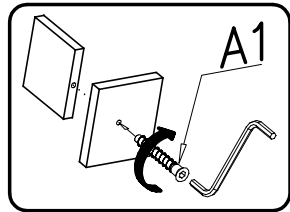
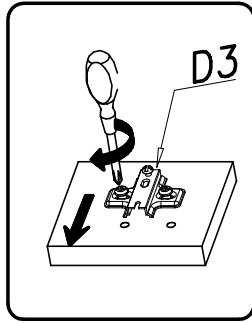
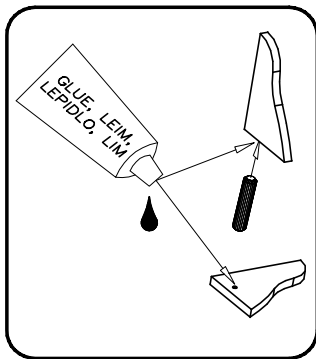
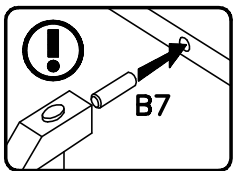
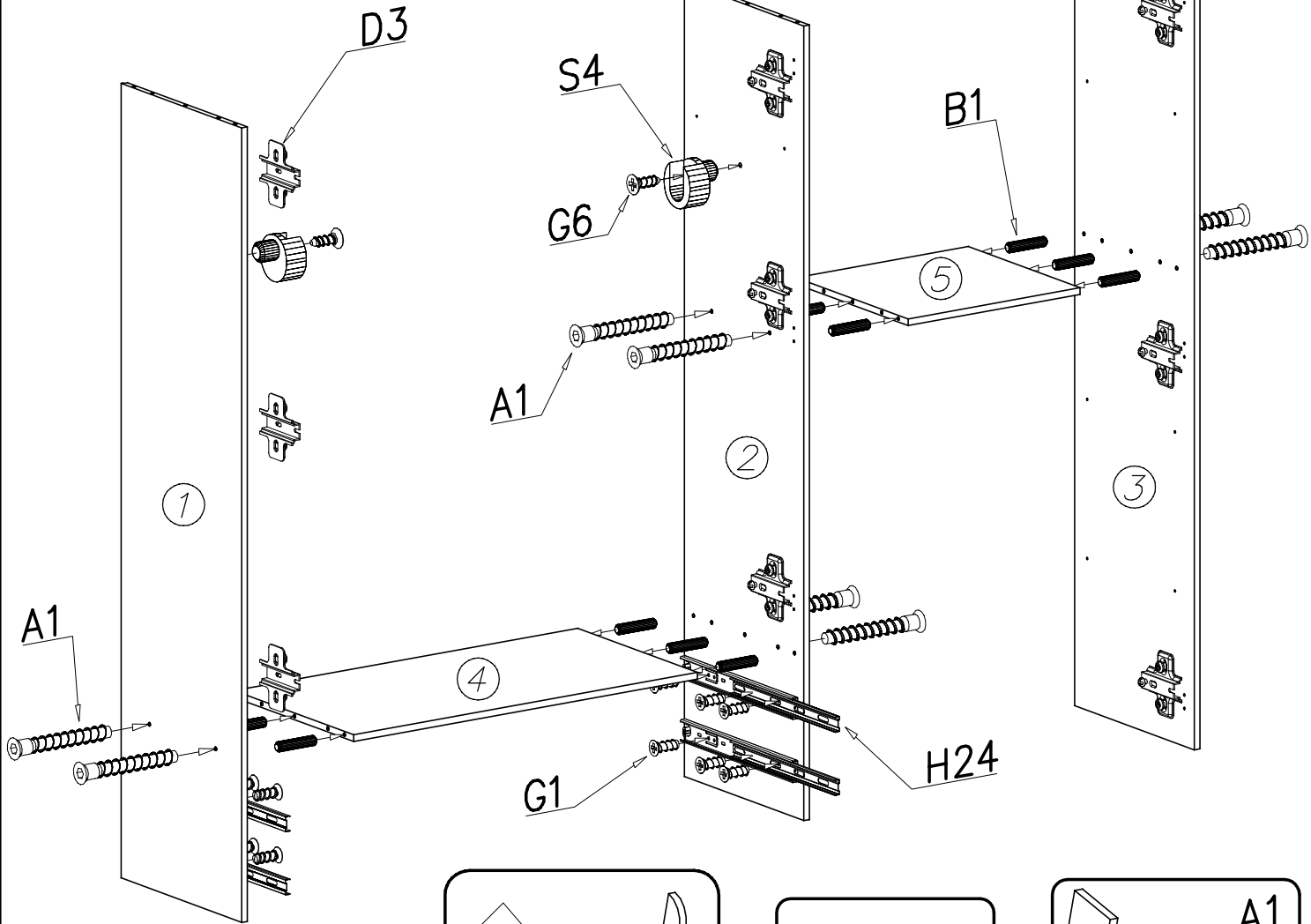
A



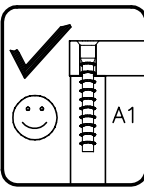
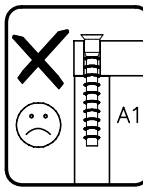
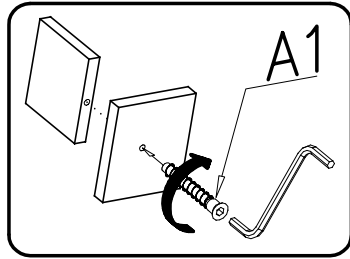
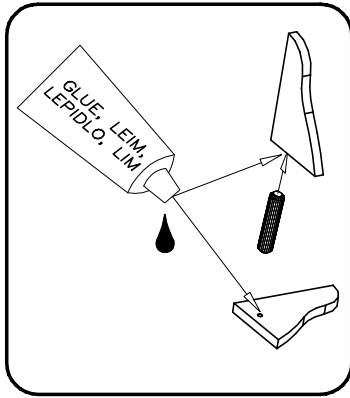
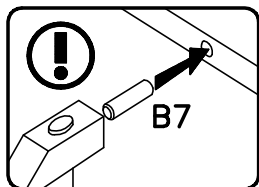
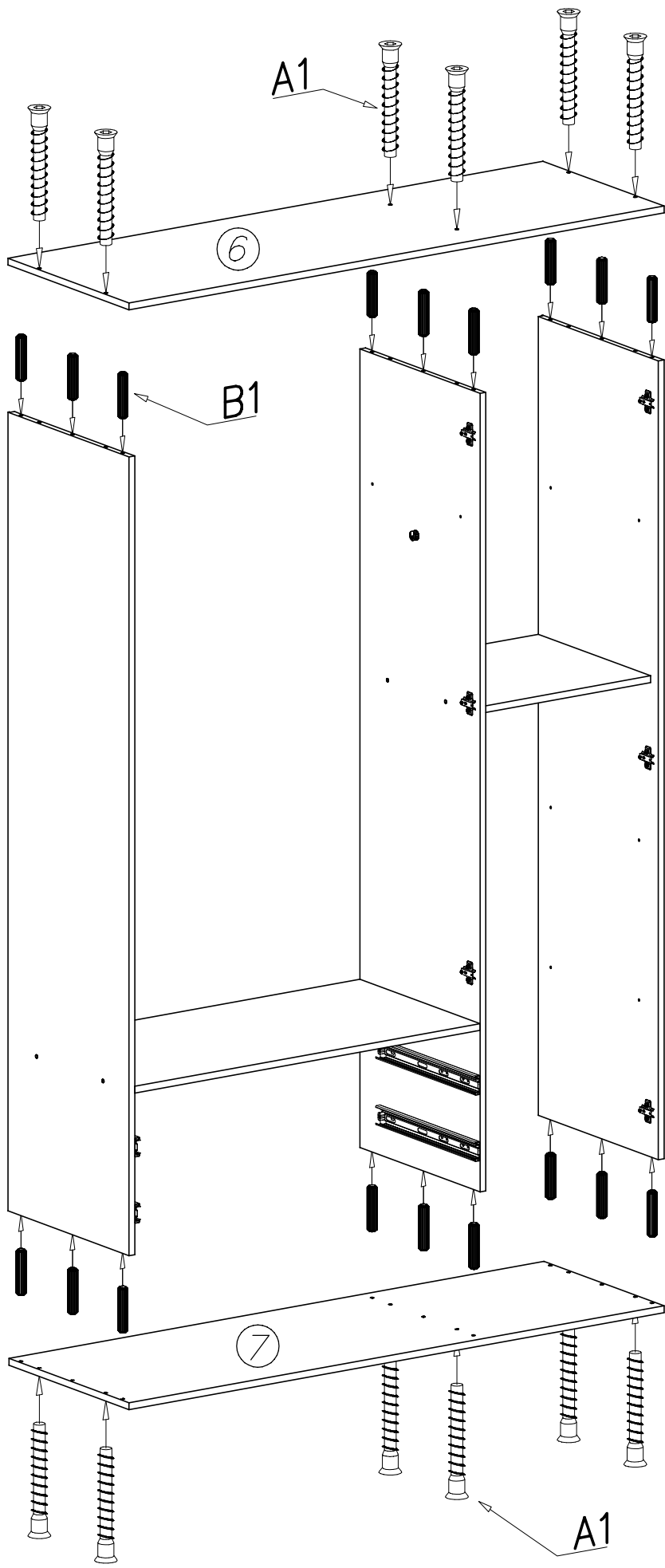
B

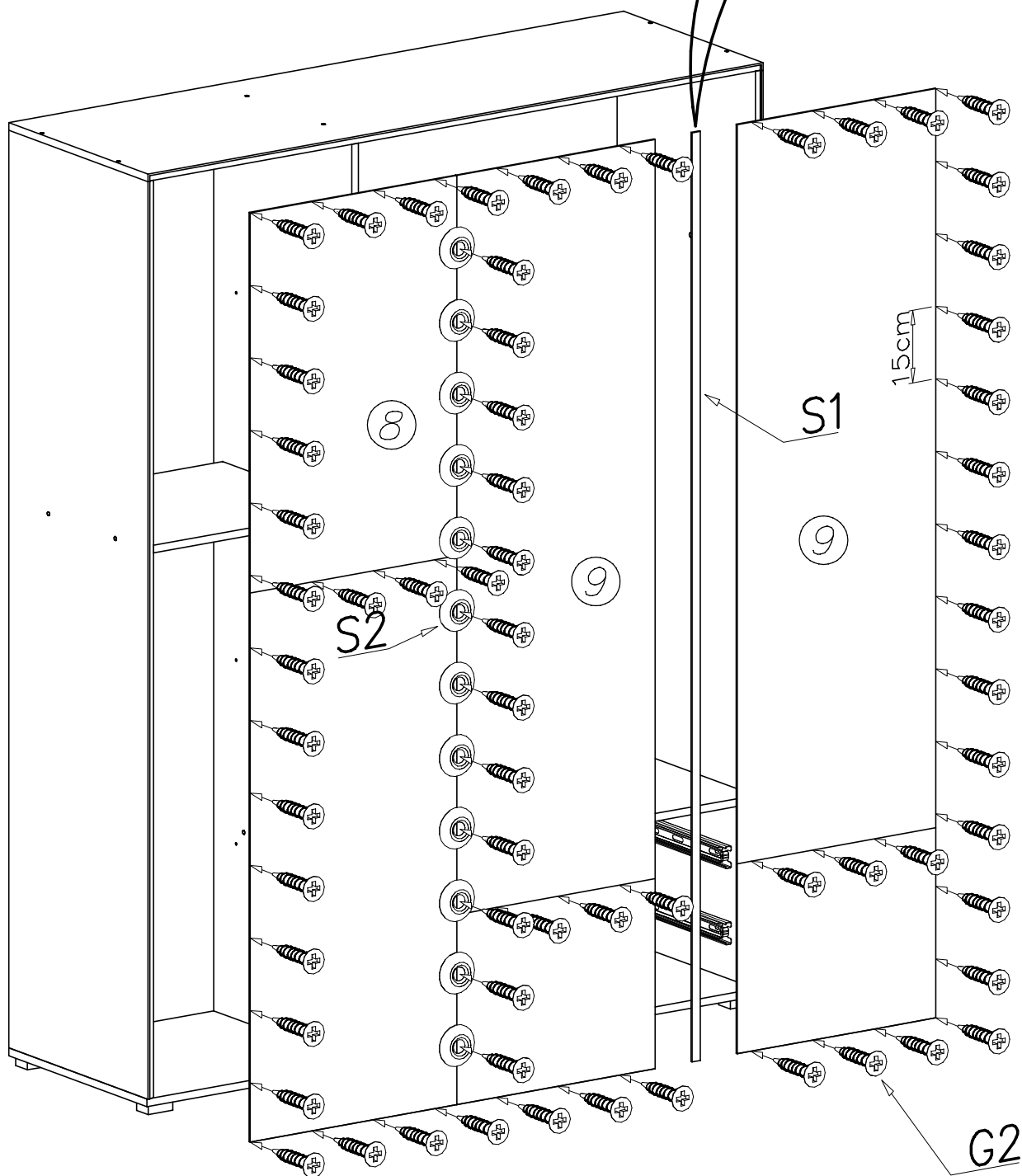
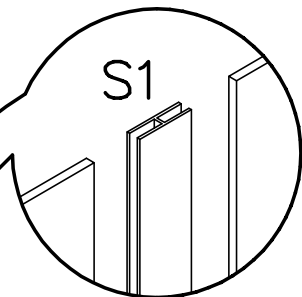
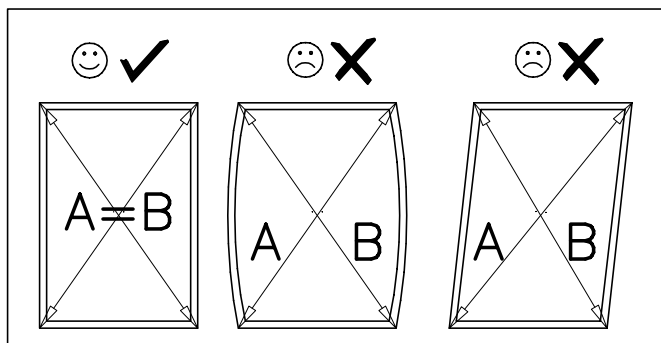


D3

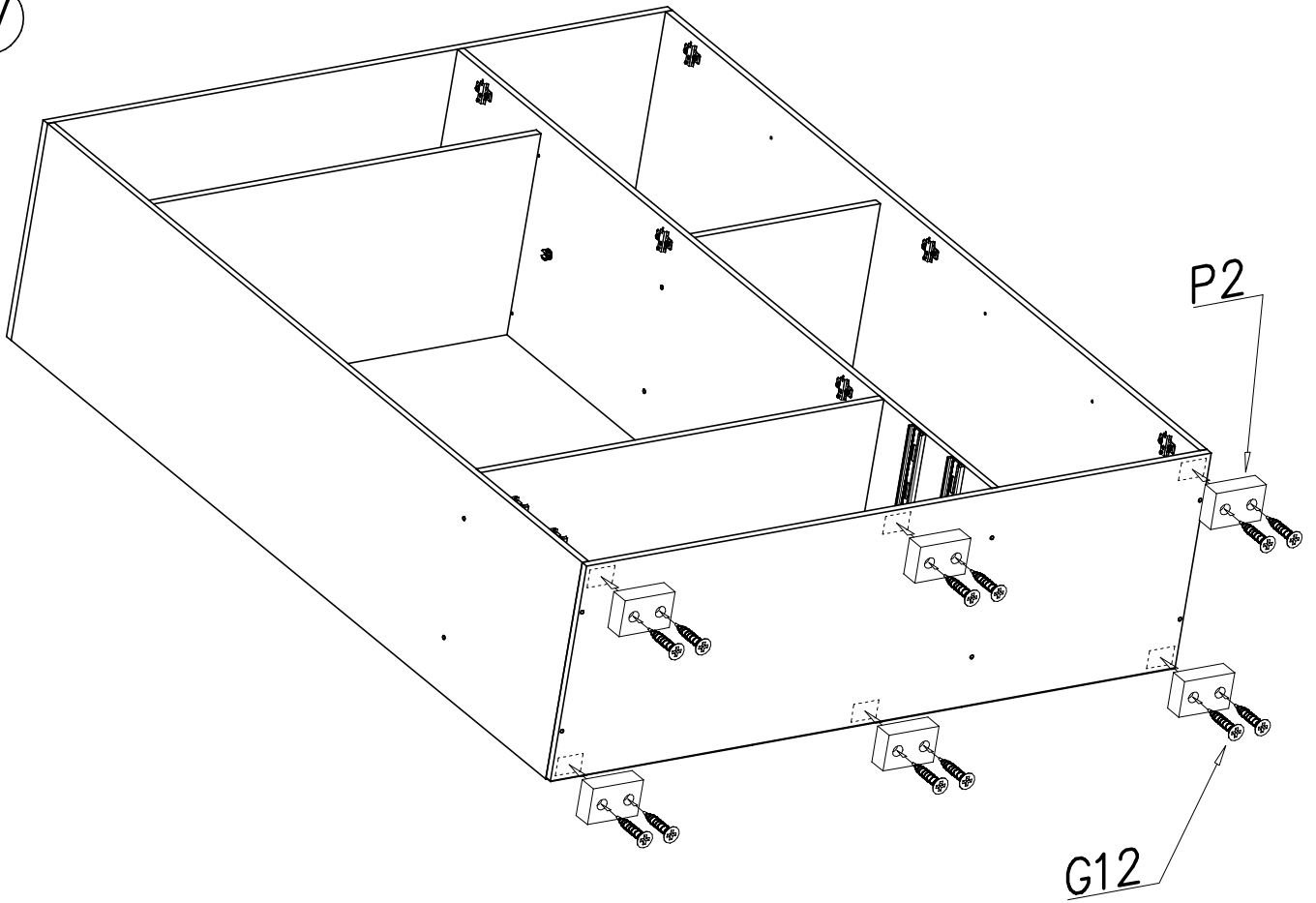


II

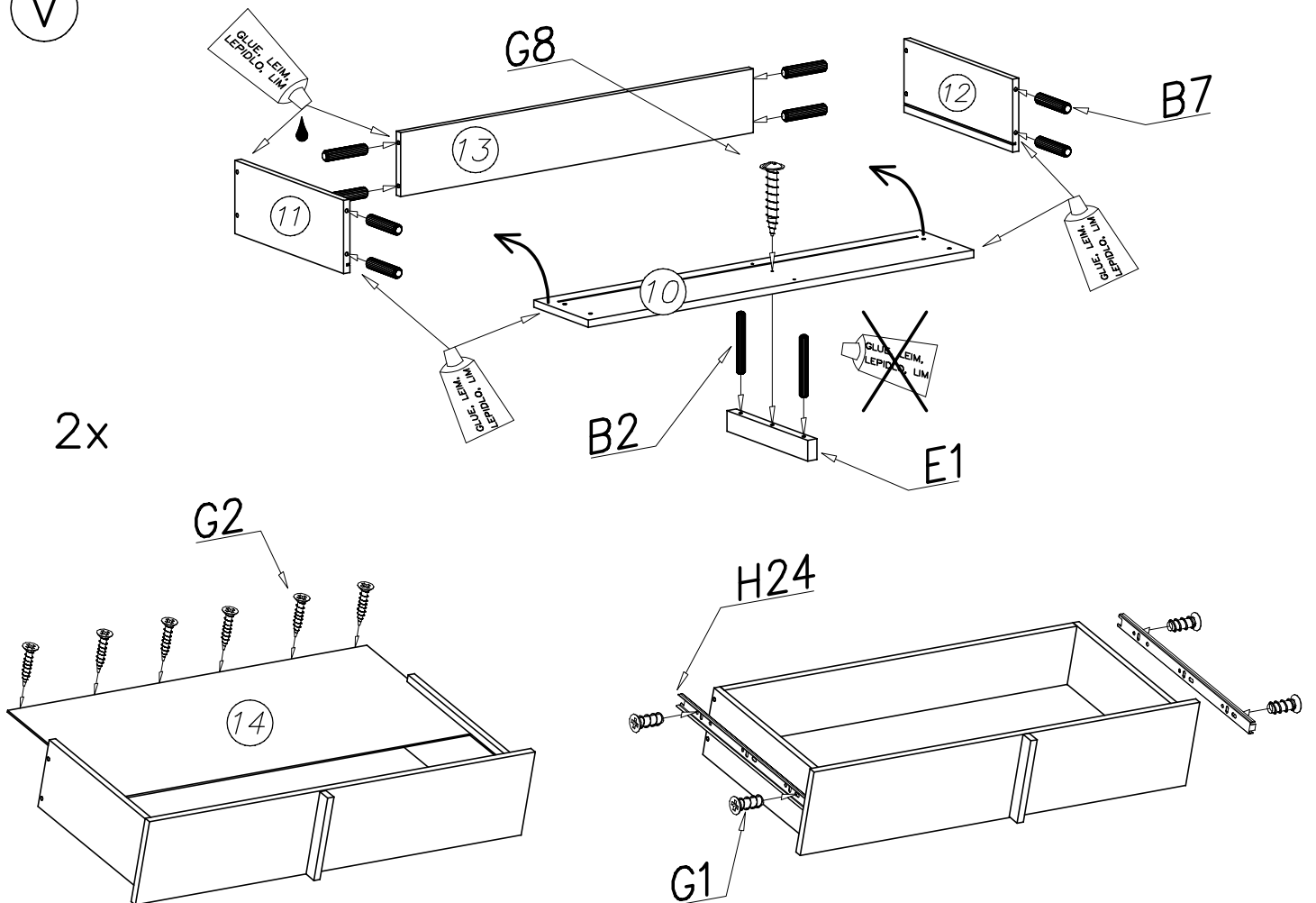




IV

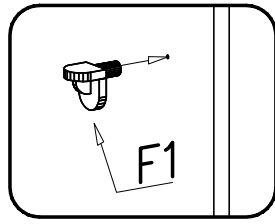


V

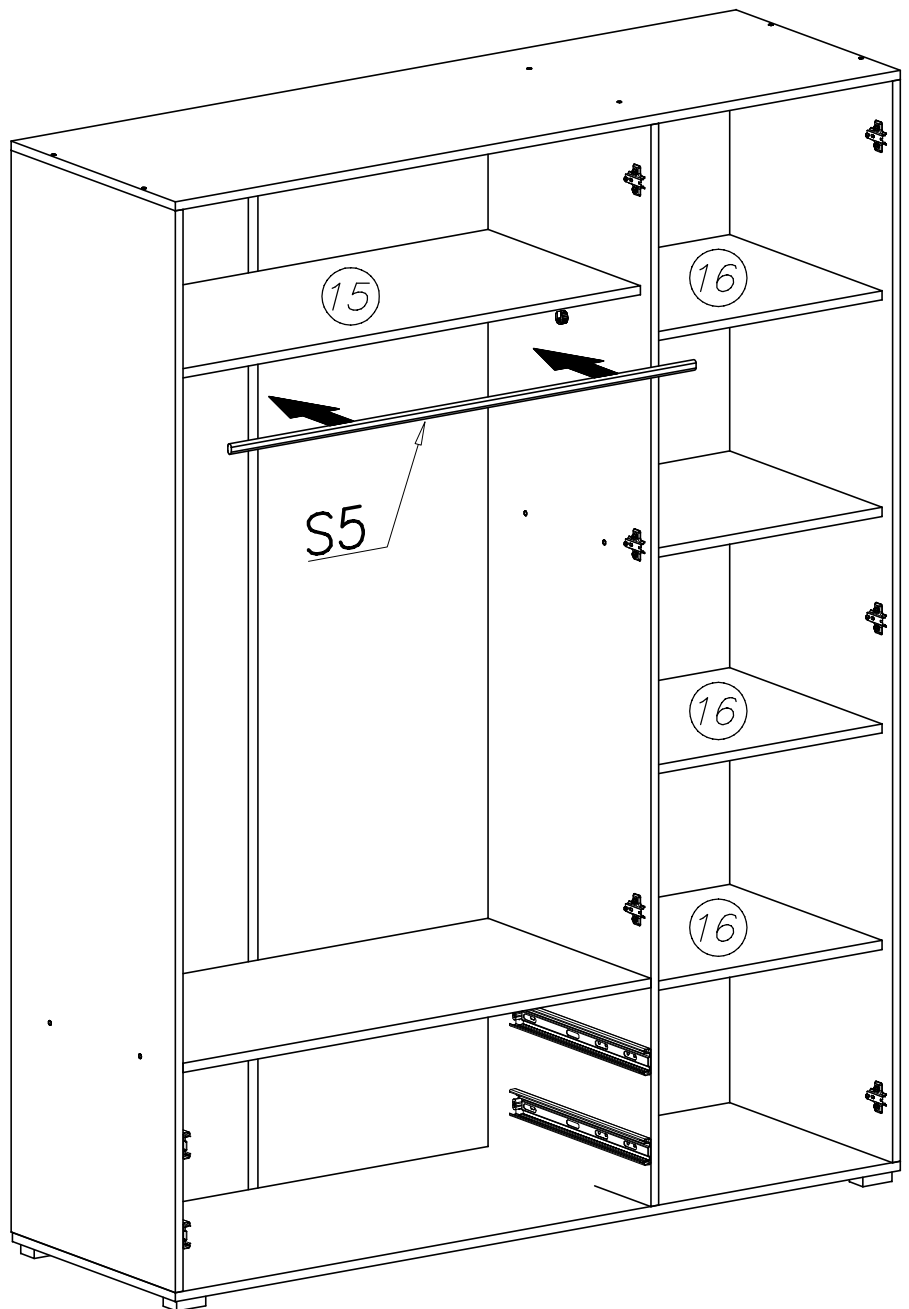
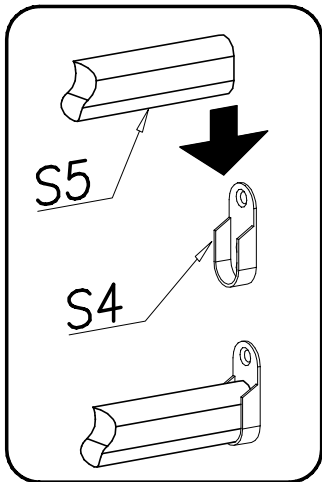
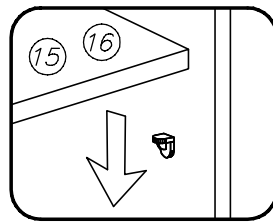


VI

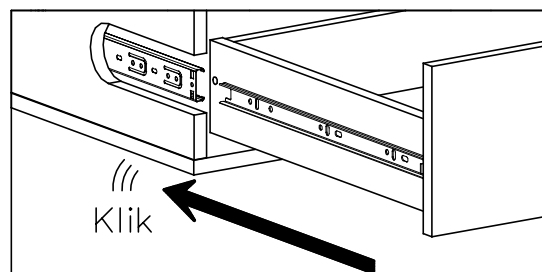
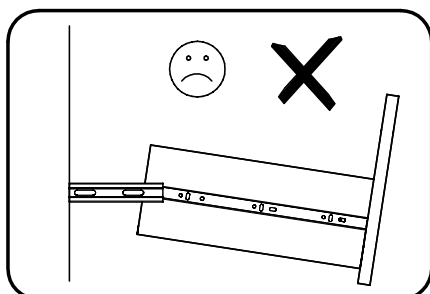
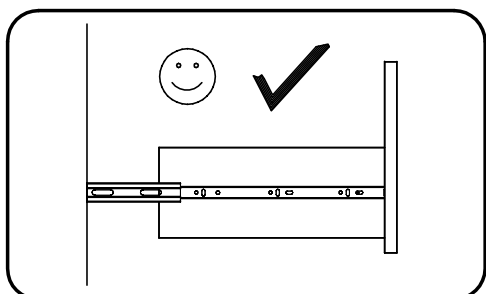
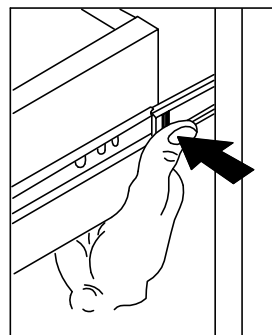
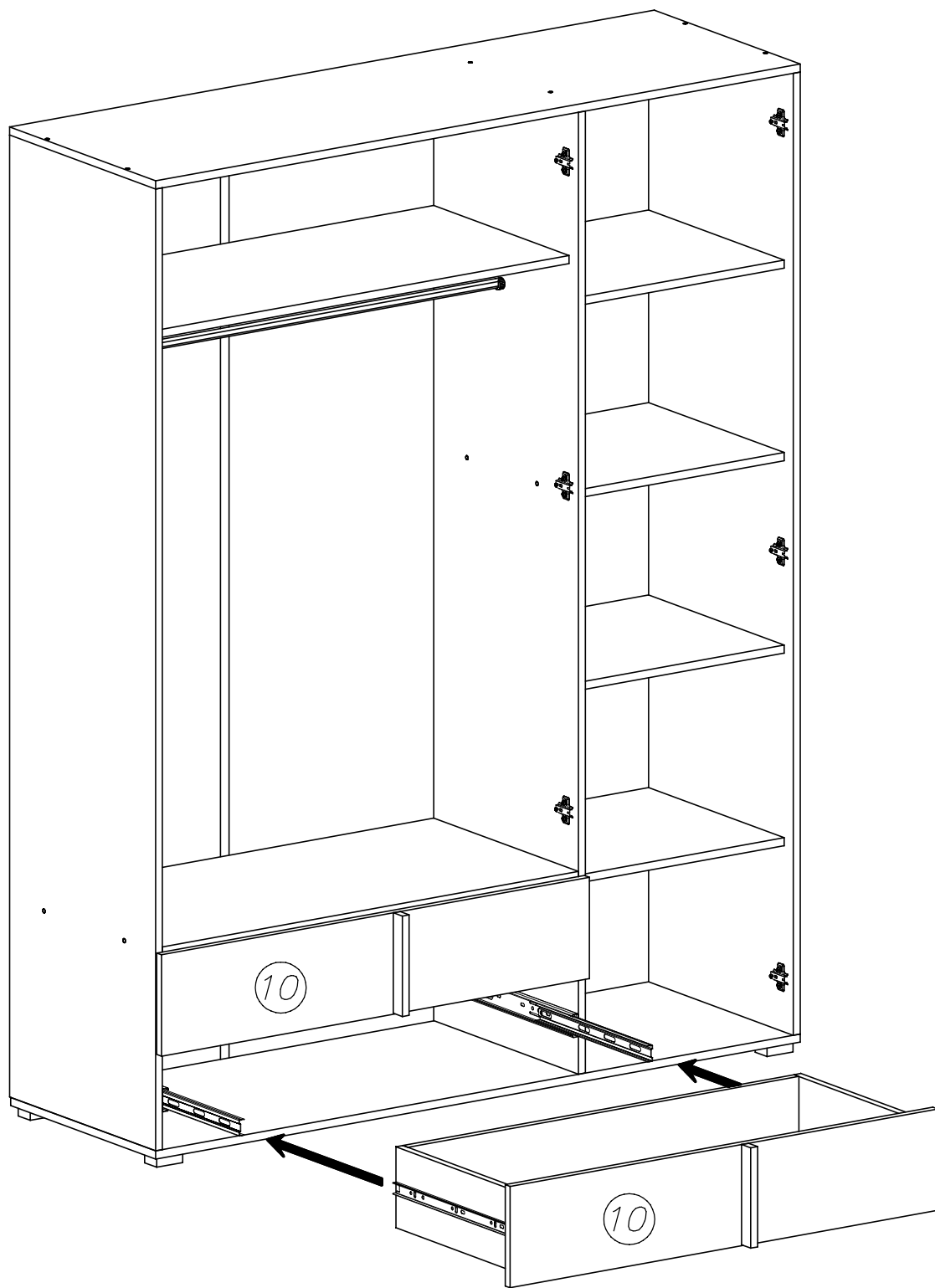
1



2



VII



VIII

