

agata



x1

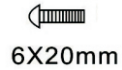


5MIN

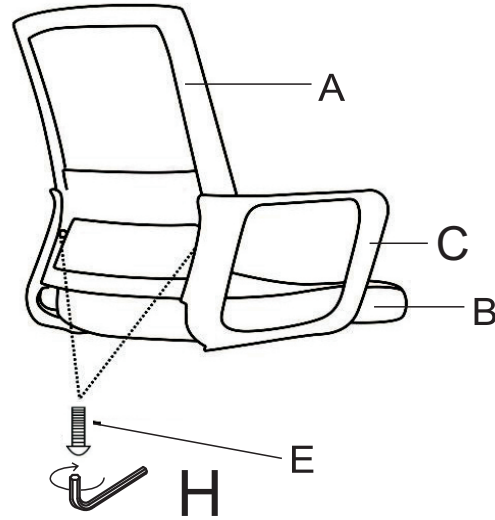
A x 1



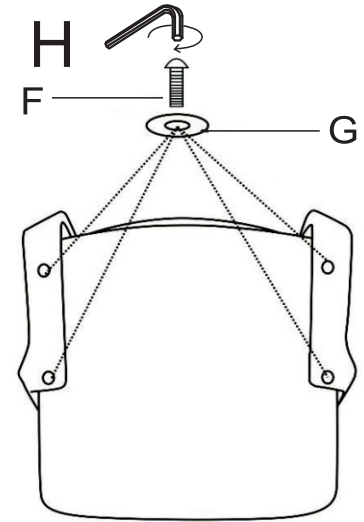
E x 6



1



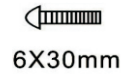
2



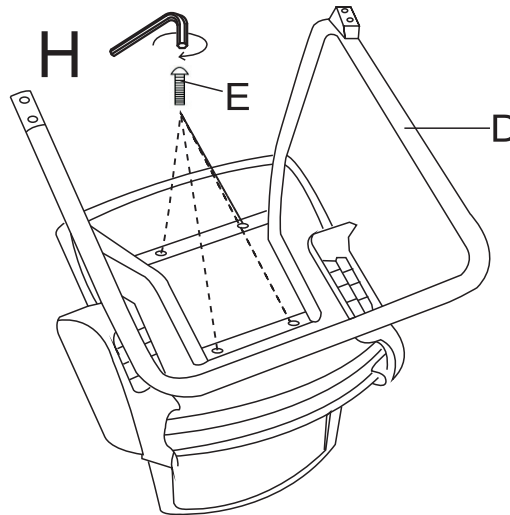
B x 1



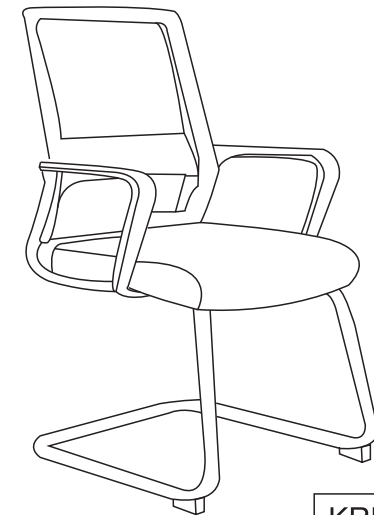
F x 4



3



4



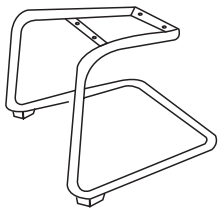
C x 2



G x 4



D x 1



H x 1



KREDAR
C9221C

1/1