

ROSE

ROSE07

0P-123

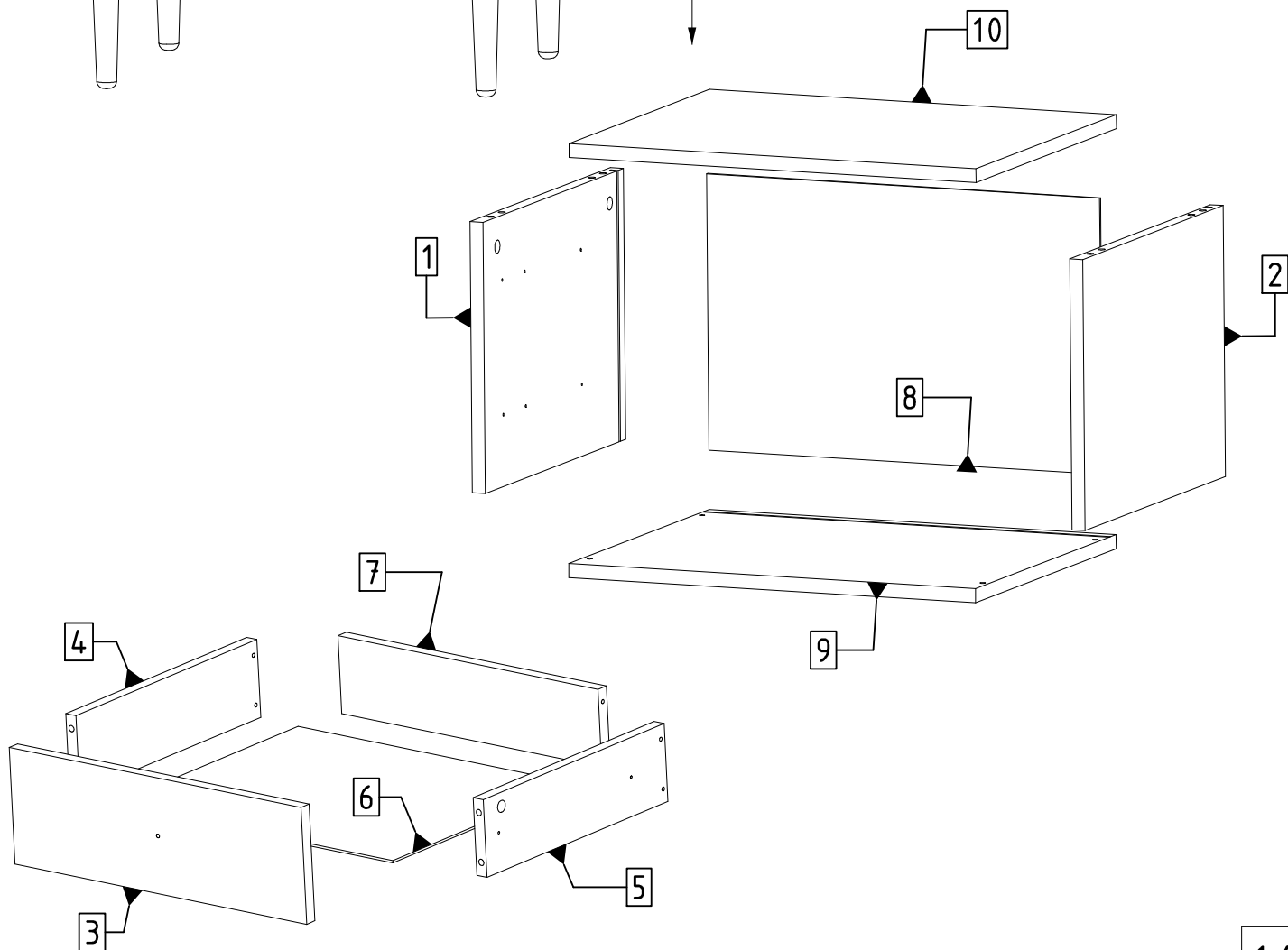
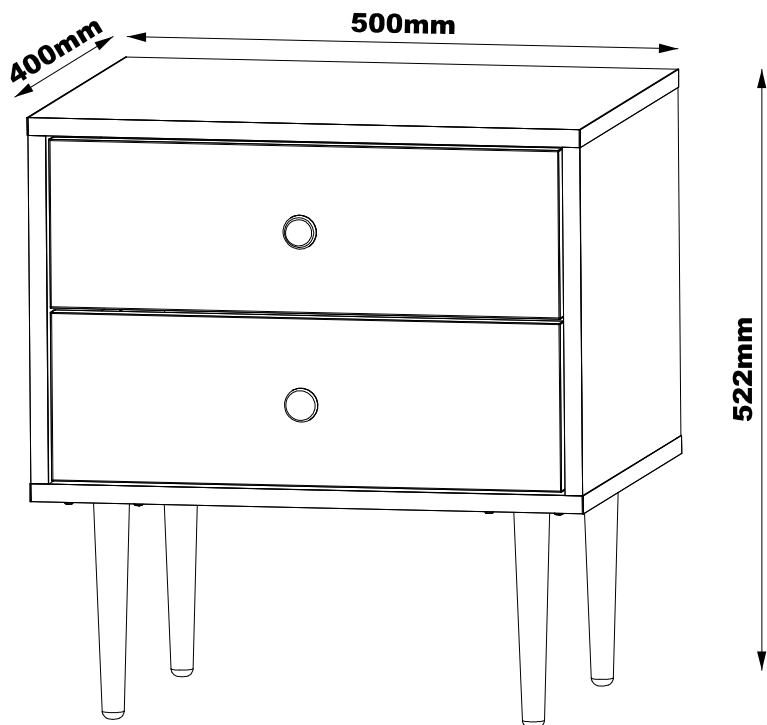
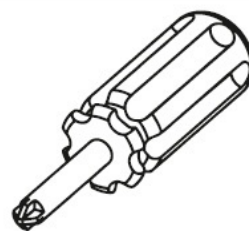
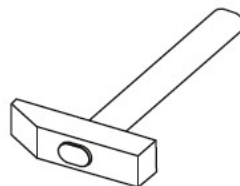
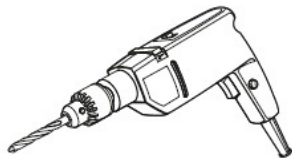
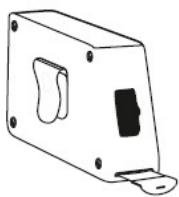
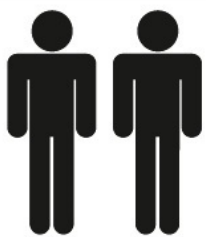
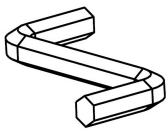
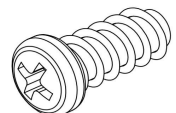
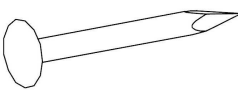
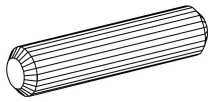
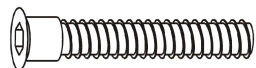

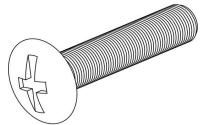

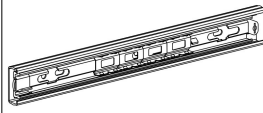

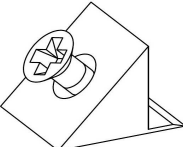
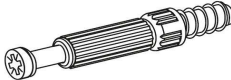

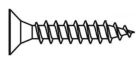
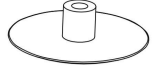
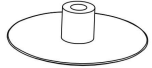
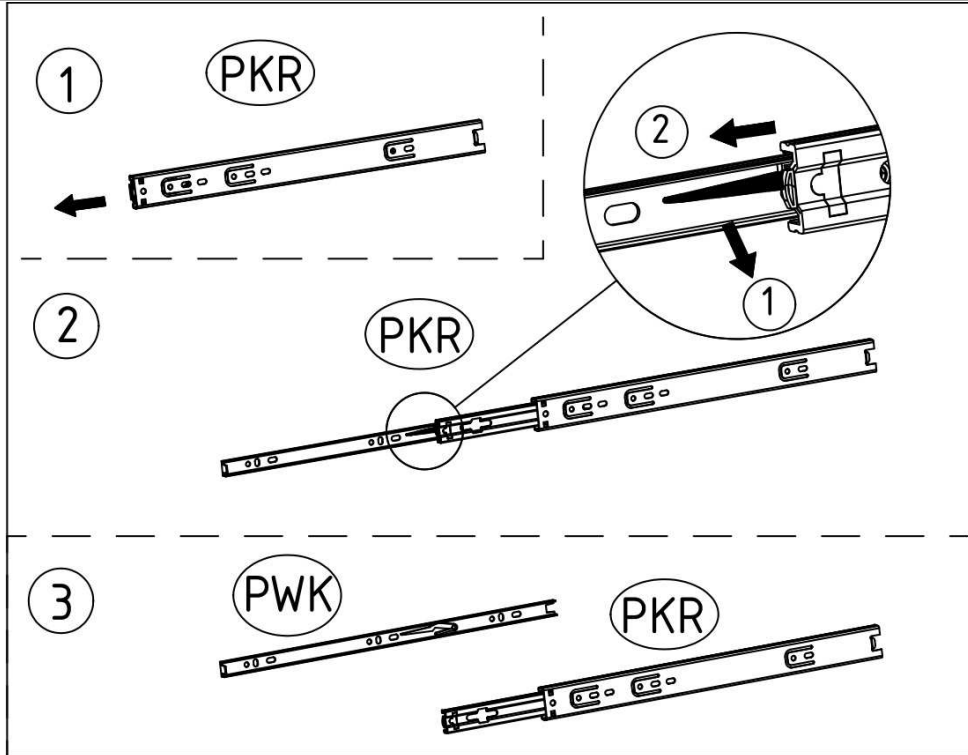
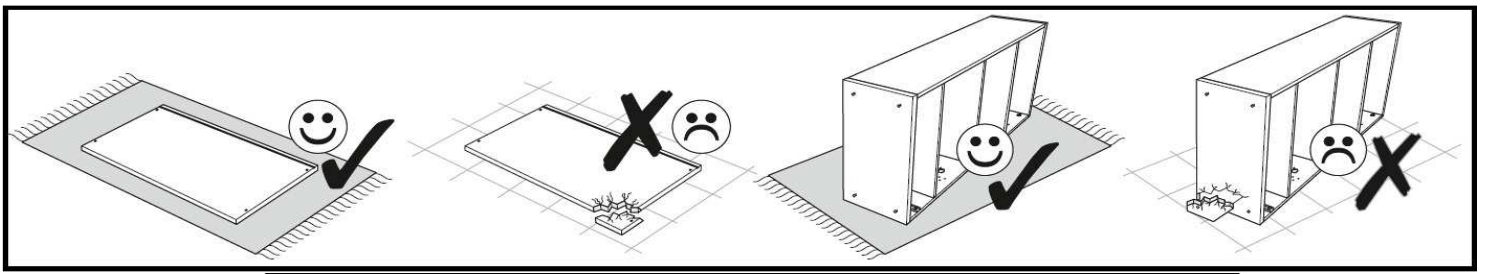


Table accessories

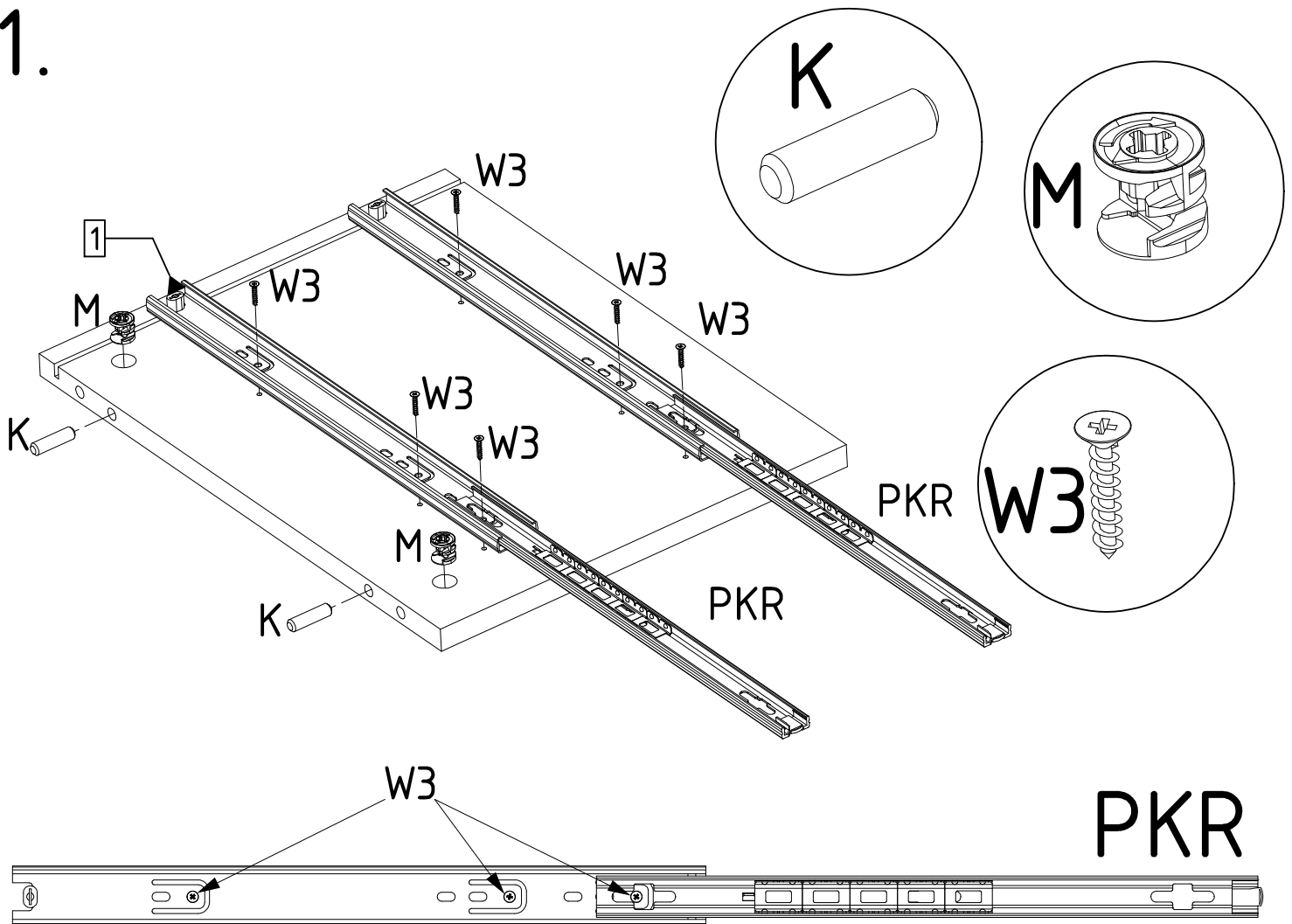
ROSE07

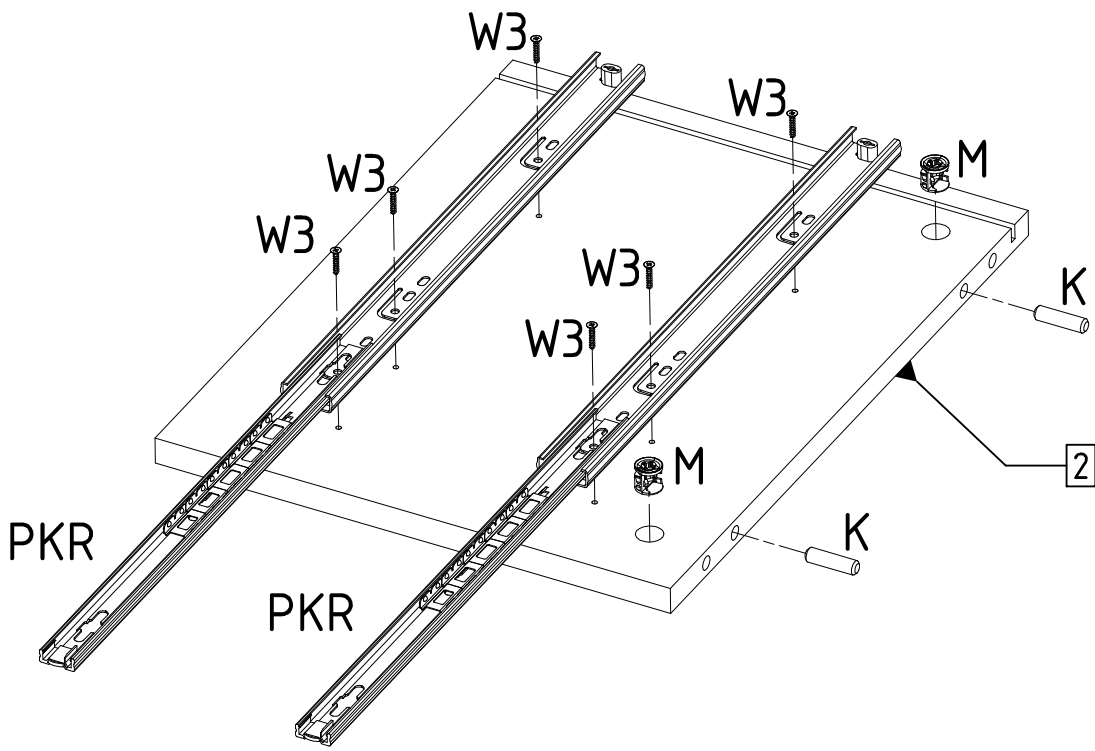
 A1	6,3 X 13  E13	 G	8 x 30  K	6,3 X 50  KN
15 x 12  M	4X22  M22	h = 200mm  NS	L350  PKR	L350  PWK
 ST	6 x 34 mm  T	 UG2	3 x 16mm  W3	NIEBIESKA  Z
BIAŁA  Z				

Elements				Accessories	
SYMBOL	LENGTH	WIDTH	QUANTITY	SYMBOL	QUANTITY
BL [1]	400	310	1	A1	1
BP [2]	400	310	1	E13	16
FTS [3]	461	150	2	G	22
KBL [4]	350	100	2	K	8
KBP [5]	350	100	2	KN	12
KD [6]	439	354	2	M	8
KT [7]	411	100	2	M22	2
PC [8]	316	483	1	NS=200mm	4
WD [9]	500	400	1	PKR [L-350]	4
WG [10]	500	400	1	PWK [L-350]	4
				ST	12
				T	8
				UG2	2
				W3	20
				Z (NIEBIESKI)	4
				Z (BIAŁA)	4

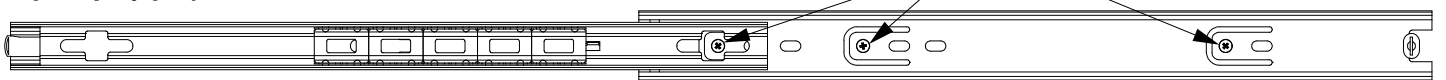


1.

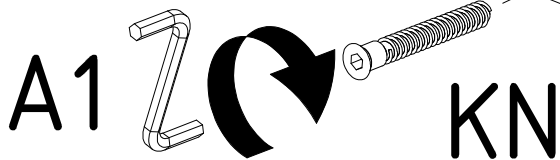
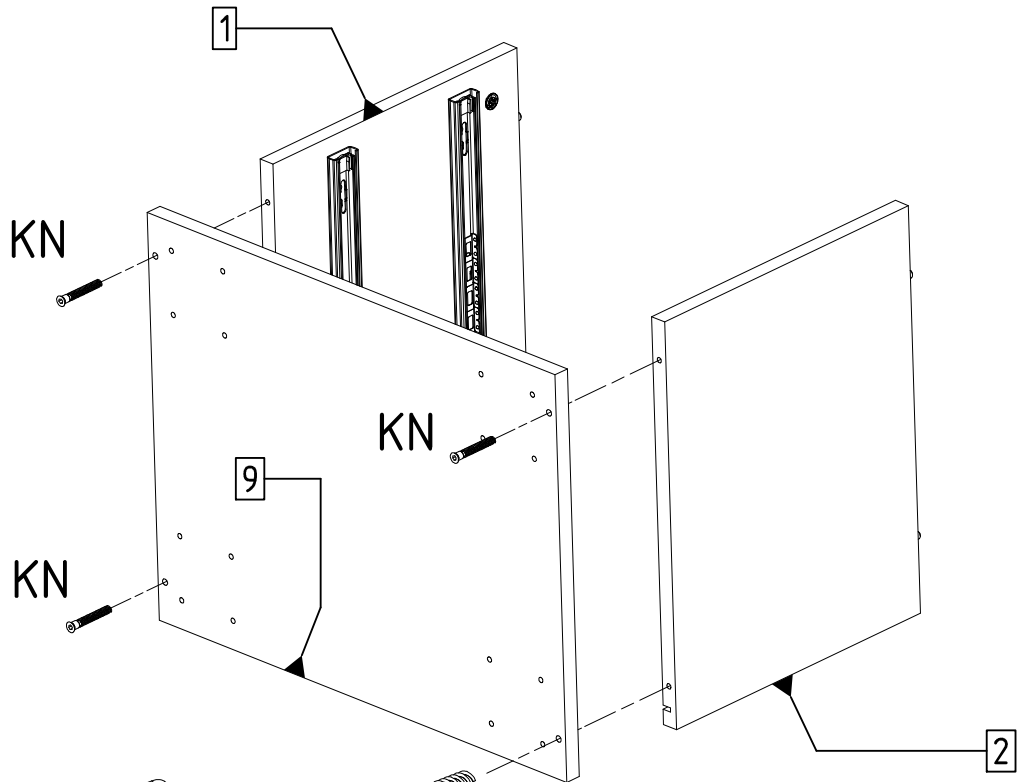




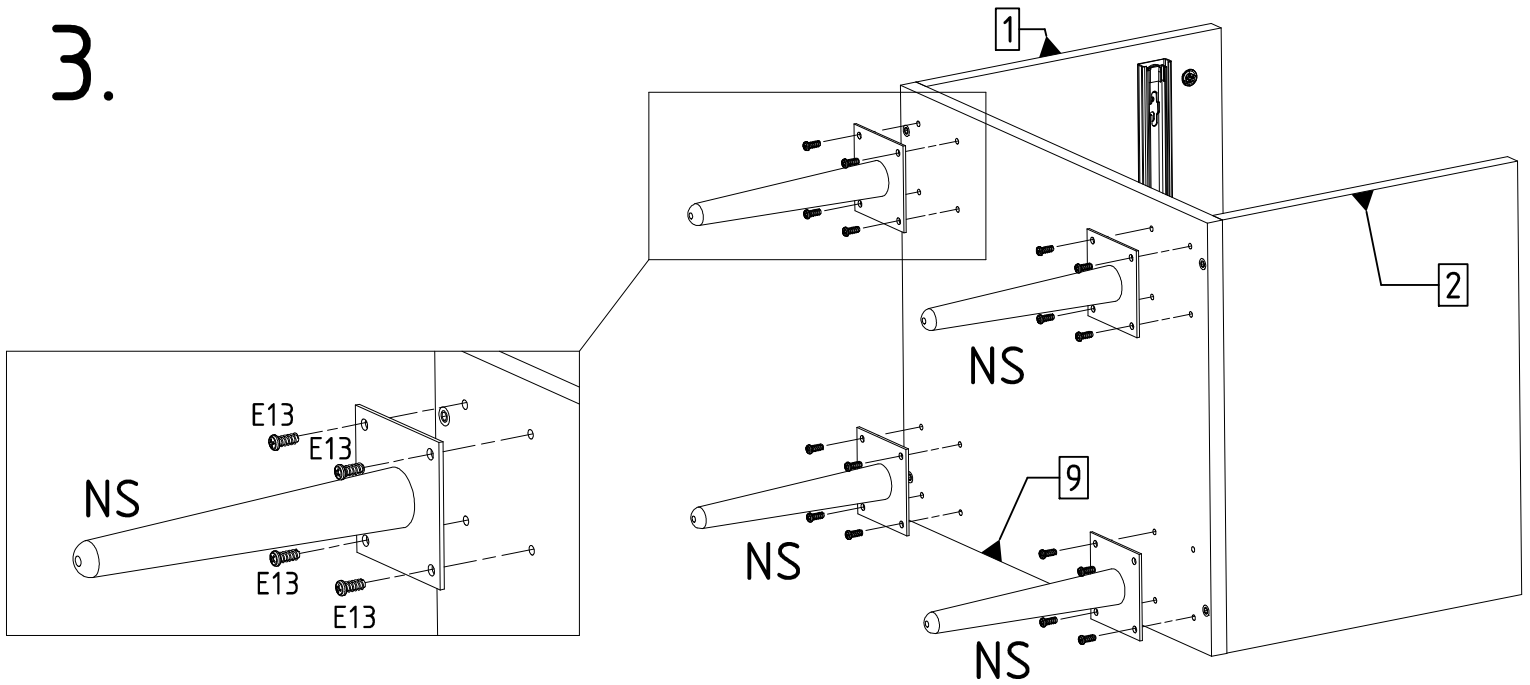
PKR



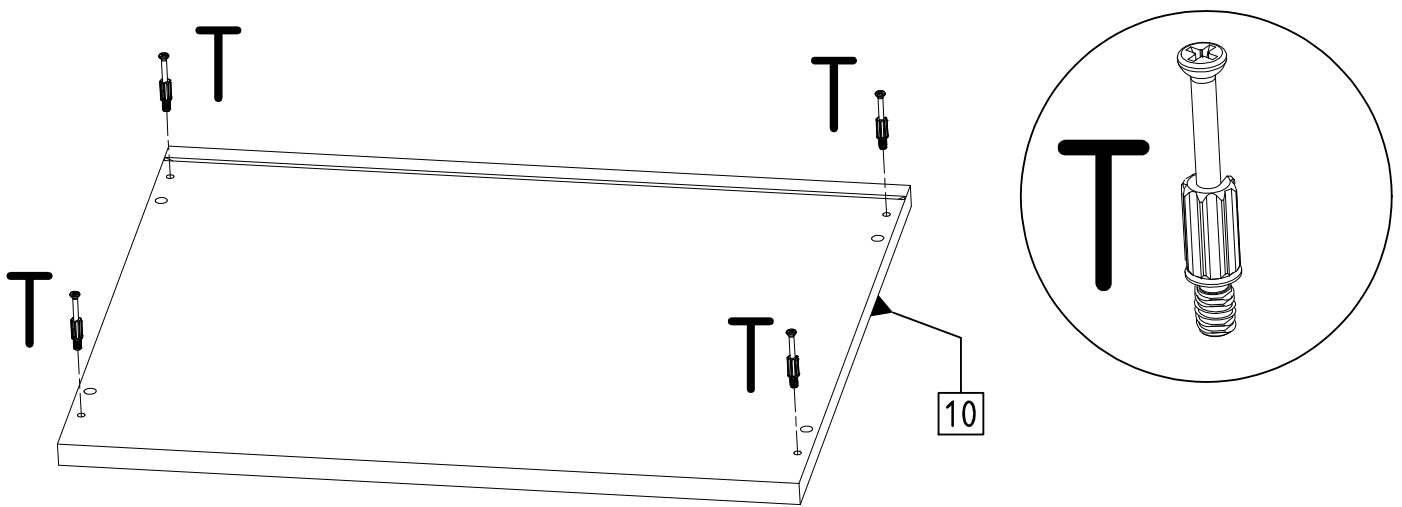
2.



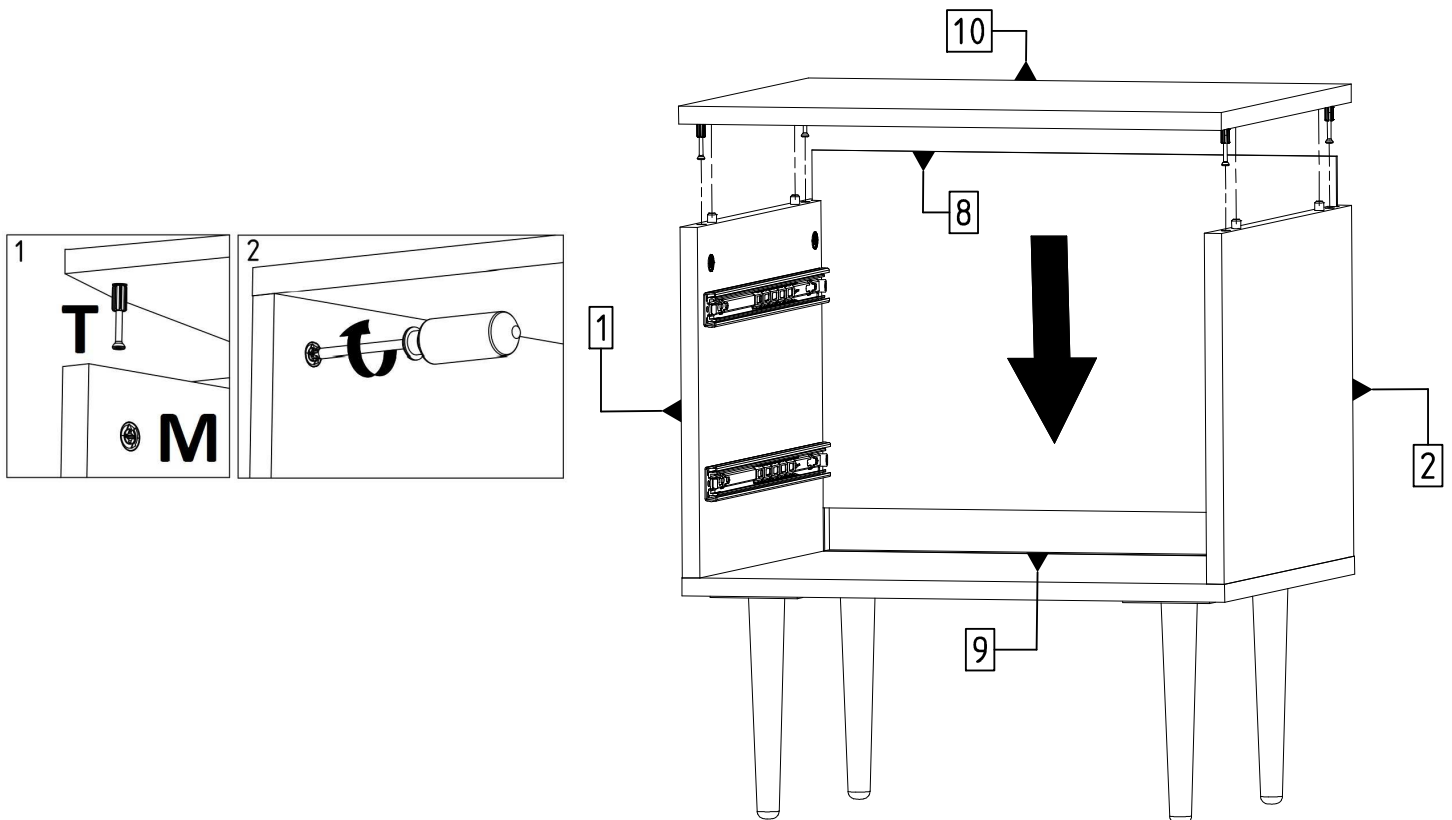
3.



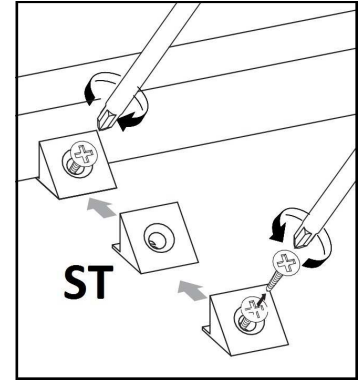
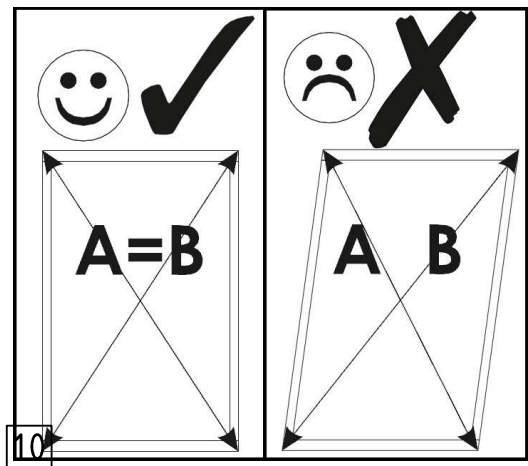
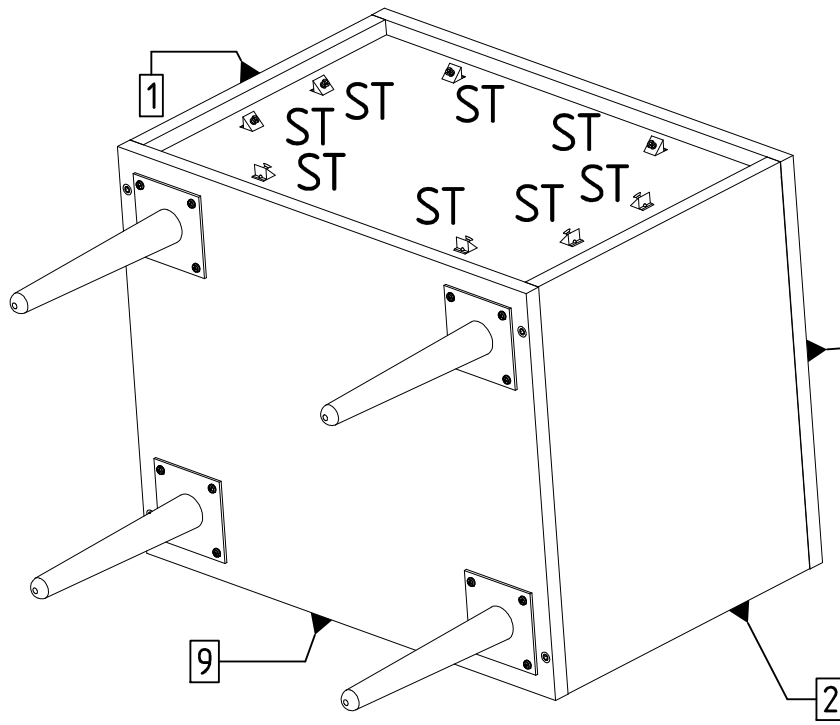
4.



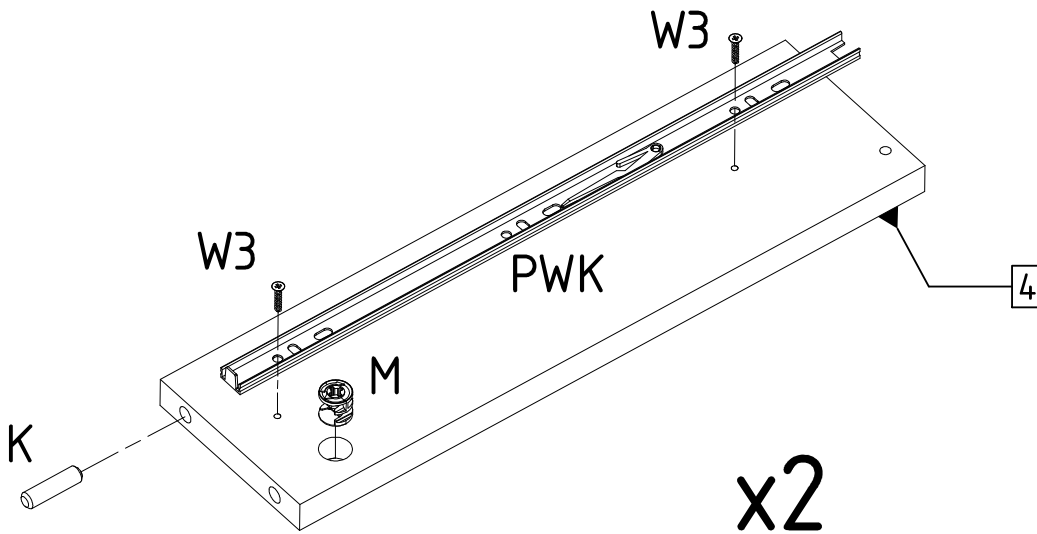
5.



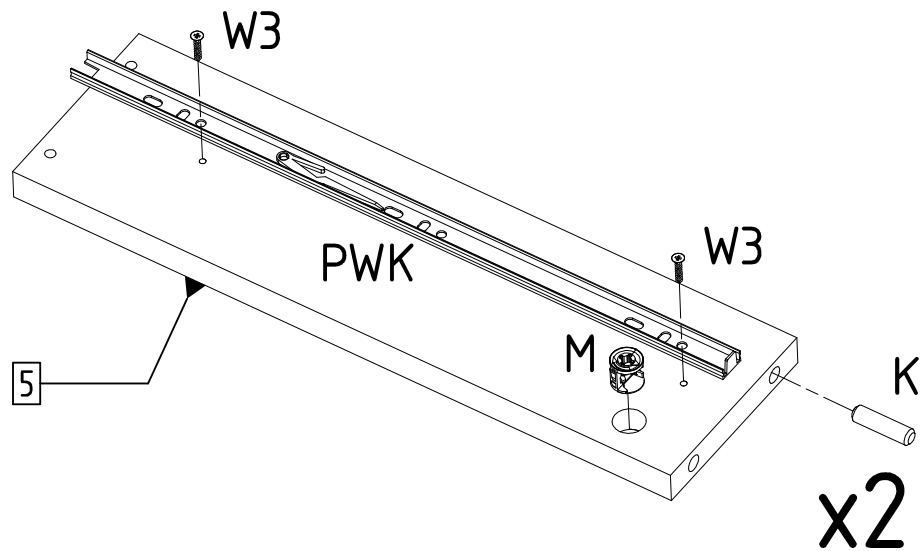
6.



7.

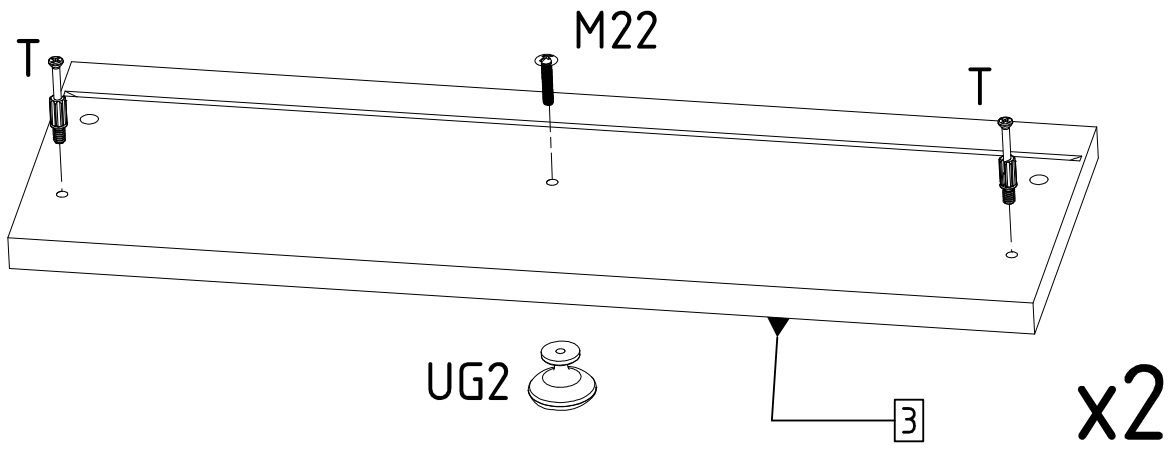


x2

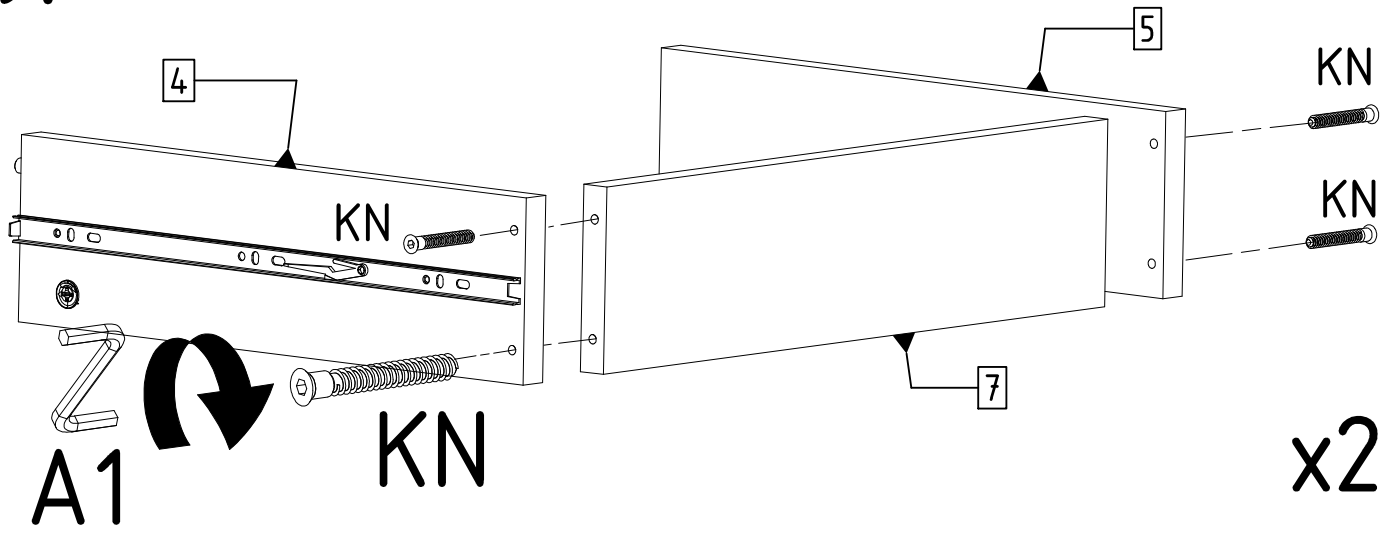


x2

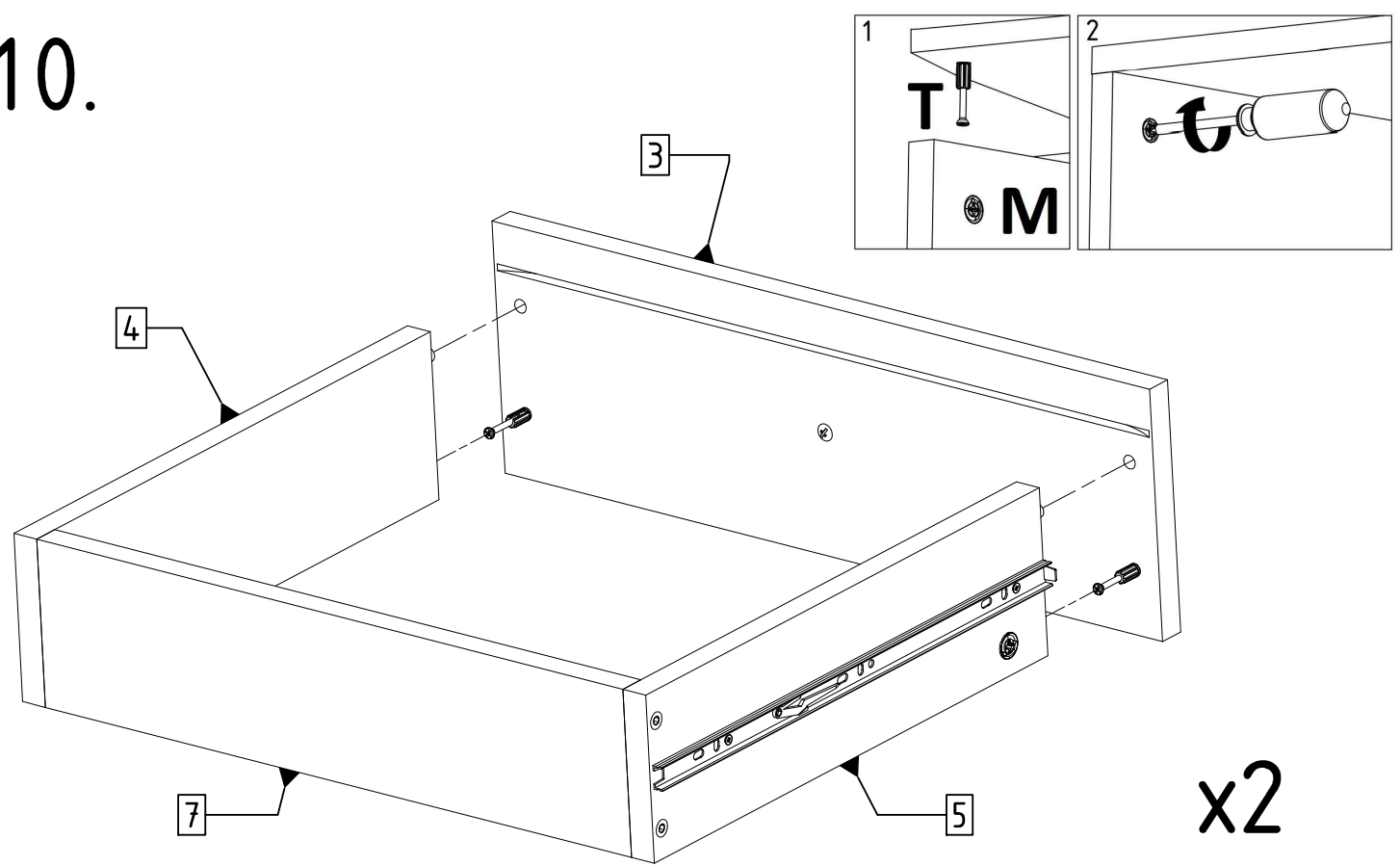
8.



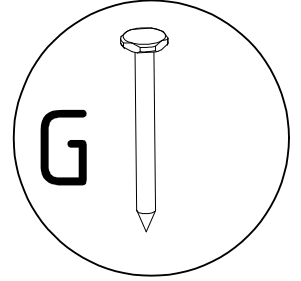
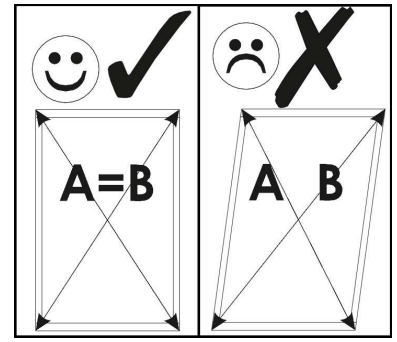
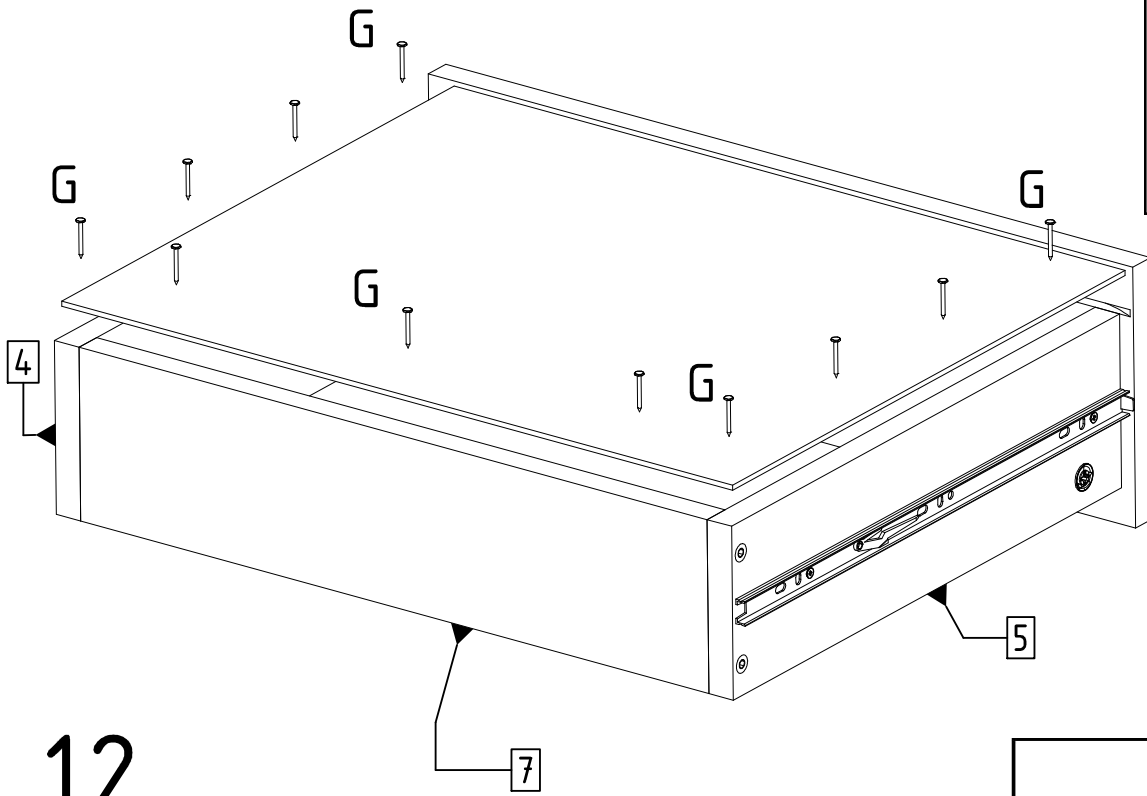
9.



10.

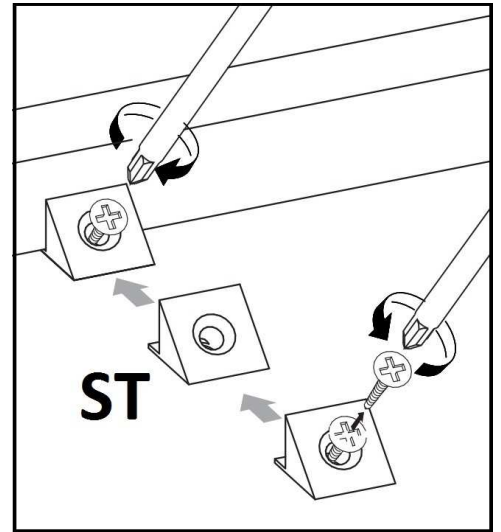
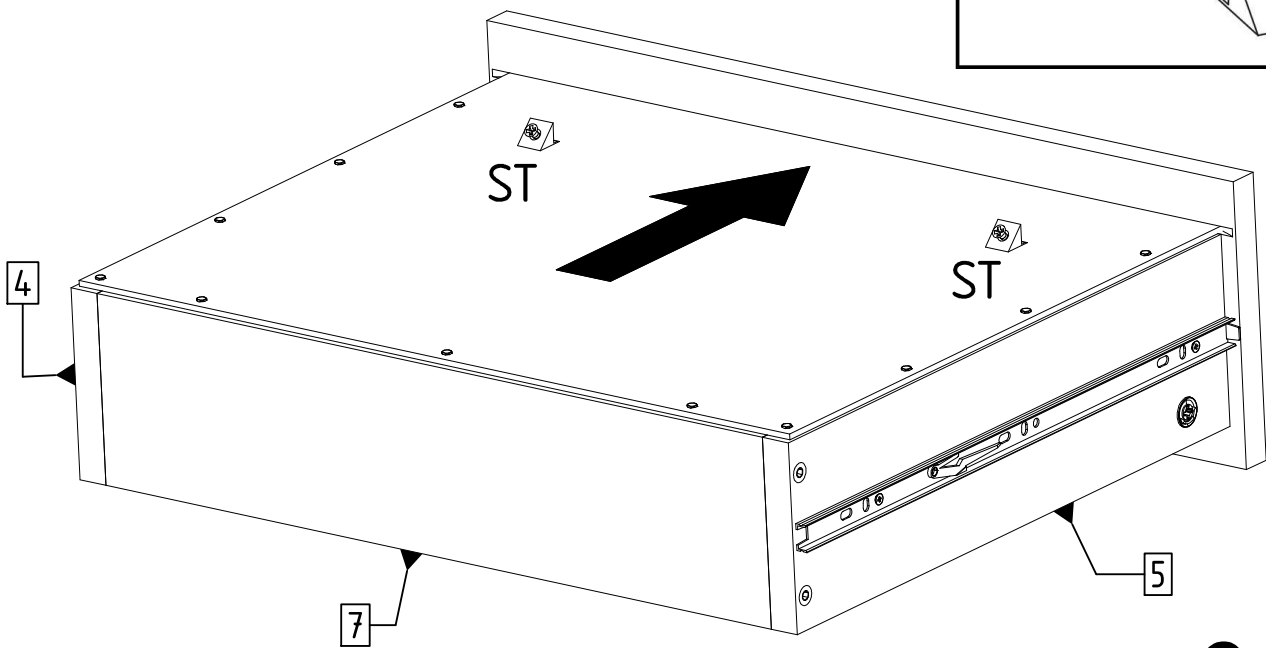


11.



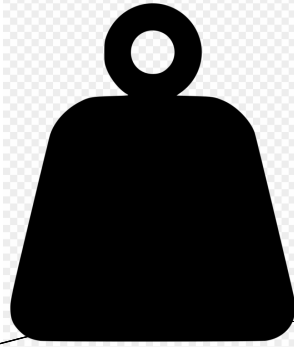
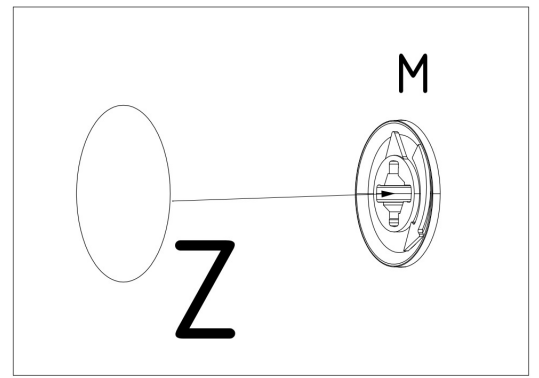
x2

12.



x2

13.



max.
15 kg

