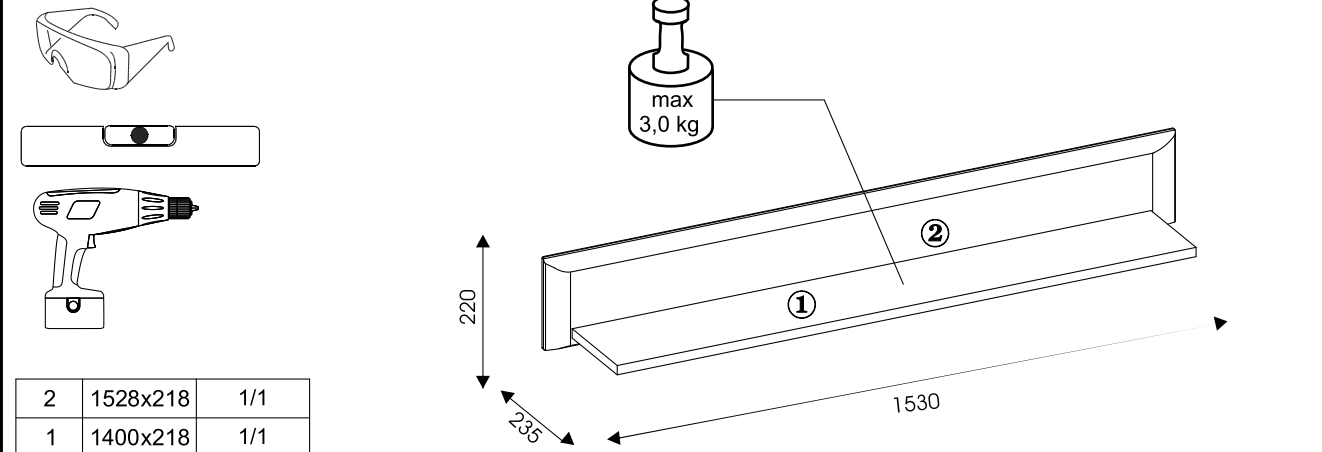
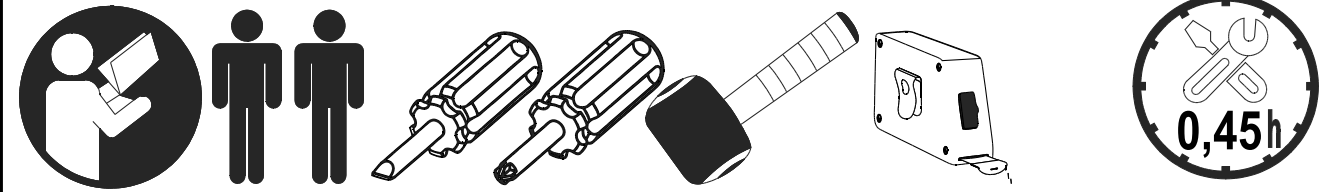
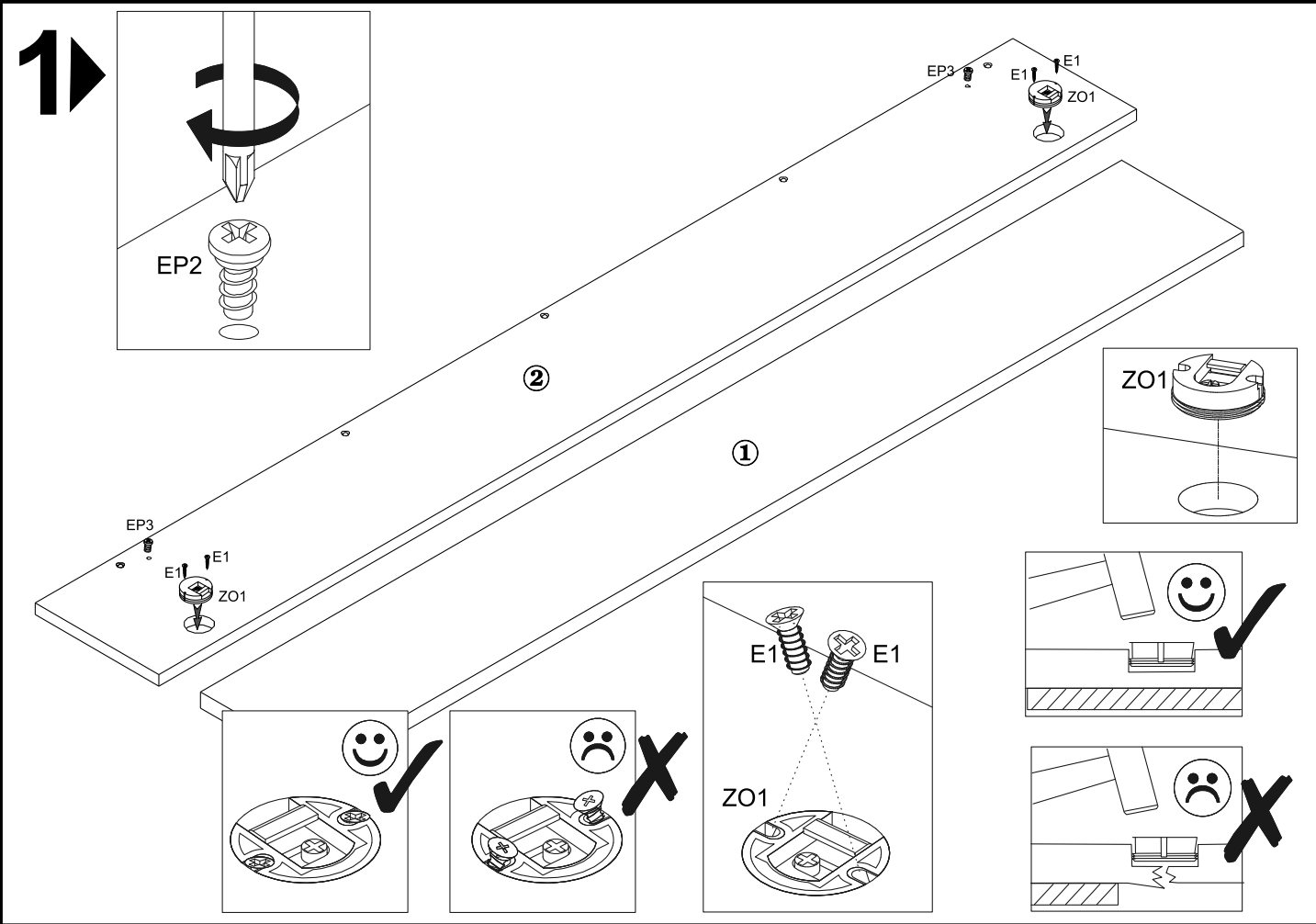
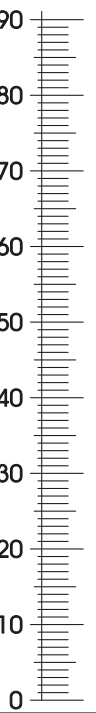


MODELL: BT11

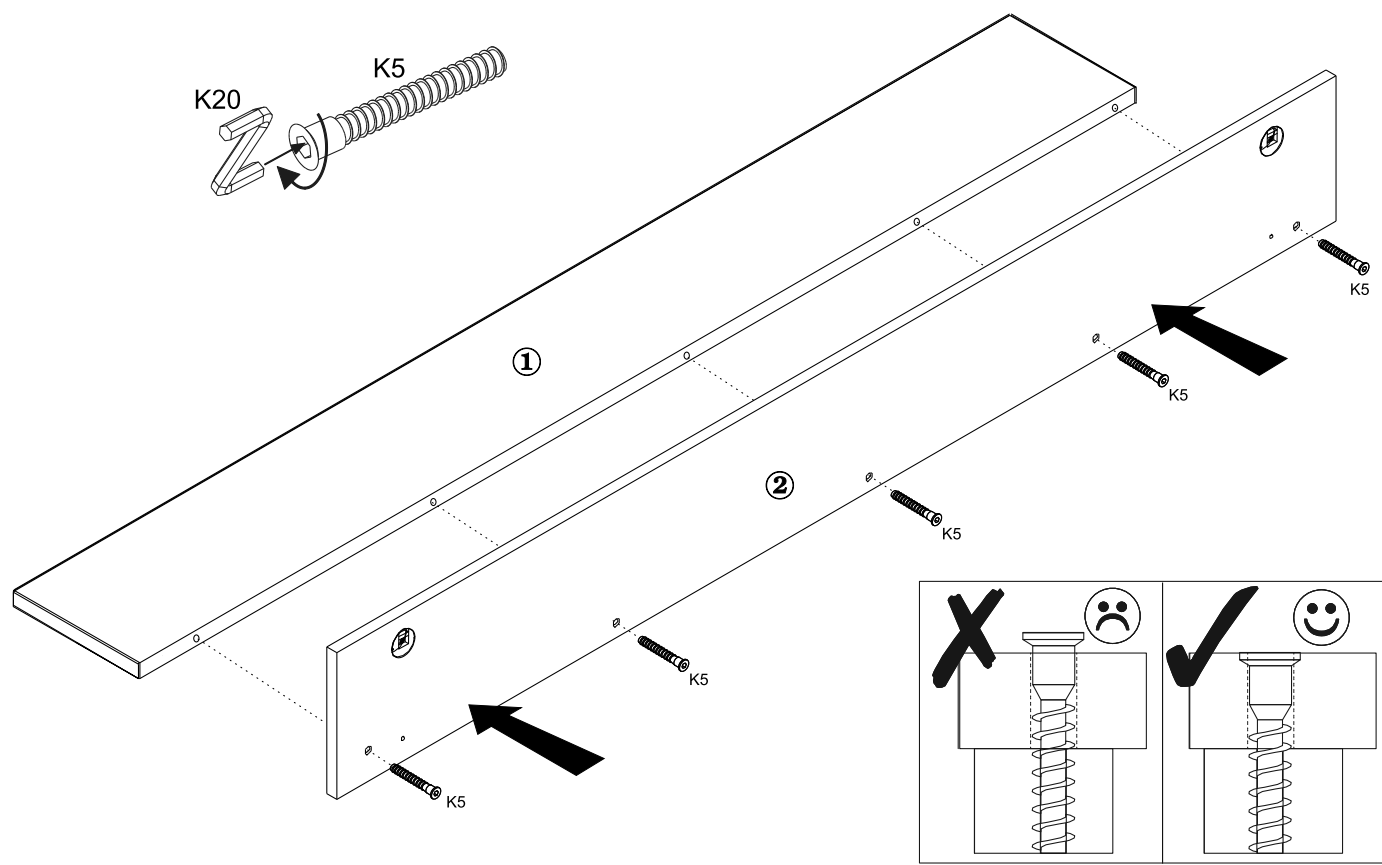


2	1528x218	1/1
1	1400x218	1/1



5x60 2x W26	10x50 2x D1	5x11 4x E1	ZO1 2x	6,3x13 2x EP2	6,4x50 5x K5	K20 1x
----------------	----------------	---------------	-----------	------------------	-----------------	-----------

2



3

