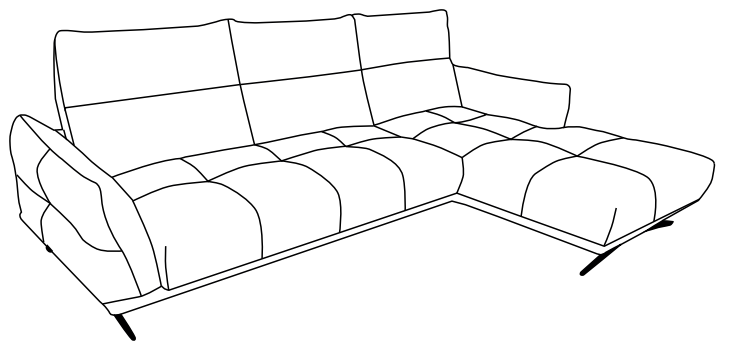
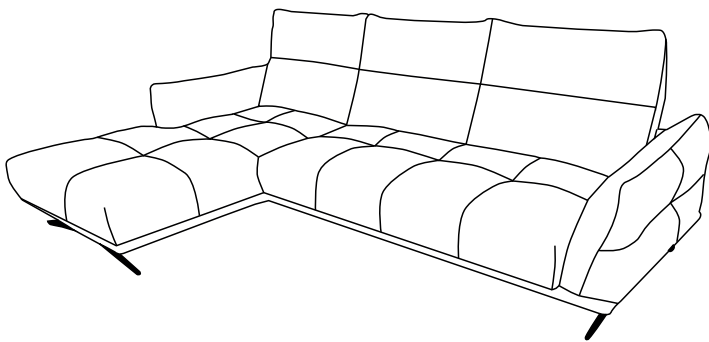
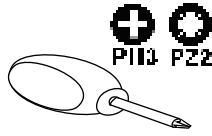
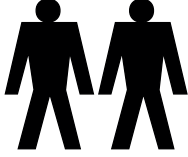




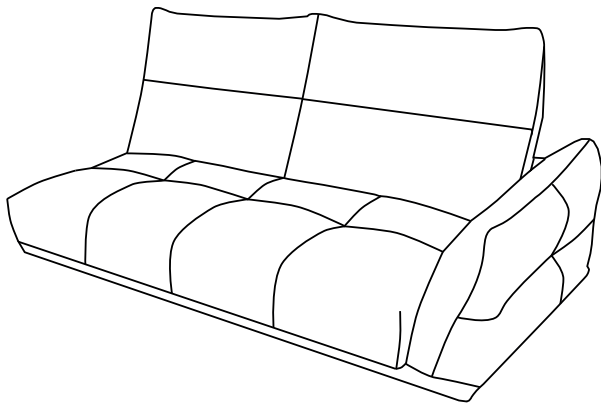
GIOVANNI/ADILIO



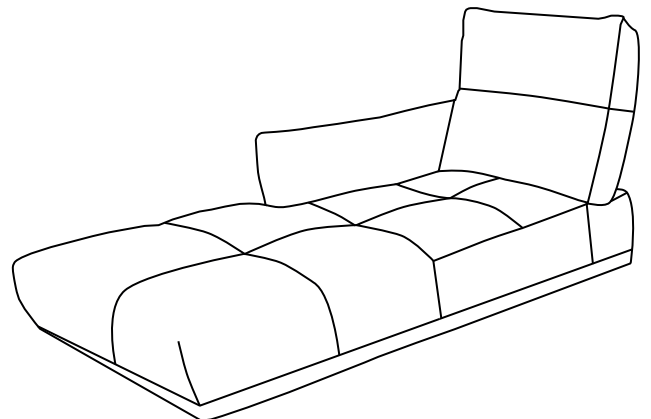
30min



I



II

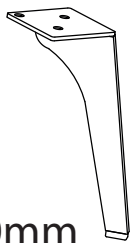


Ax2



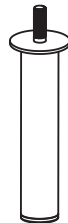
H=160mm

Bx1



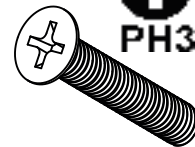
H=160mm

Cx2



H=160mm

Dx13



6x35



PH3

Ex2



5x50



PZ2

1

Ax1



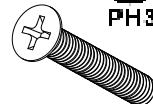
H=160mm

Cx2

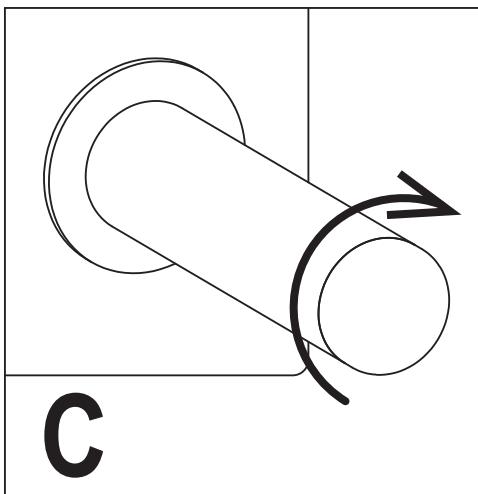
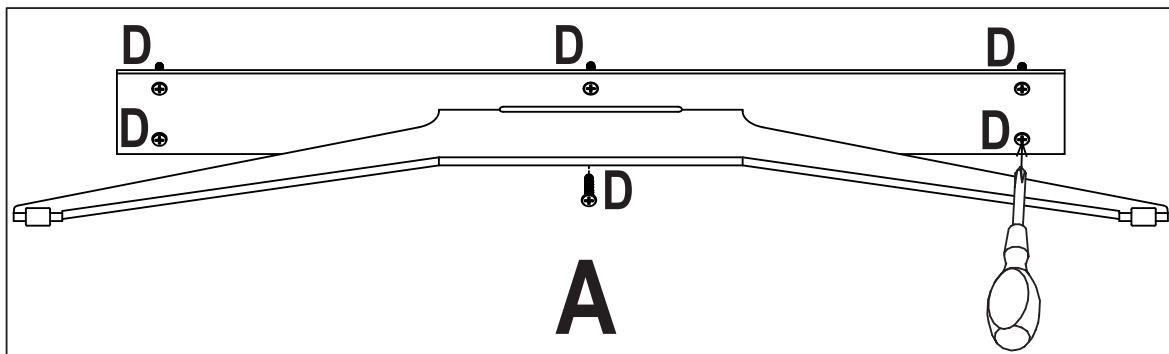
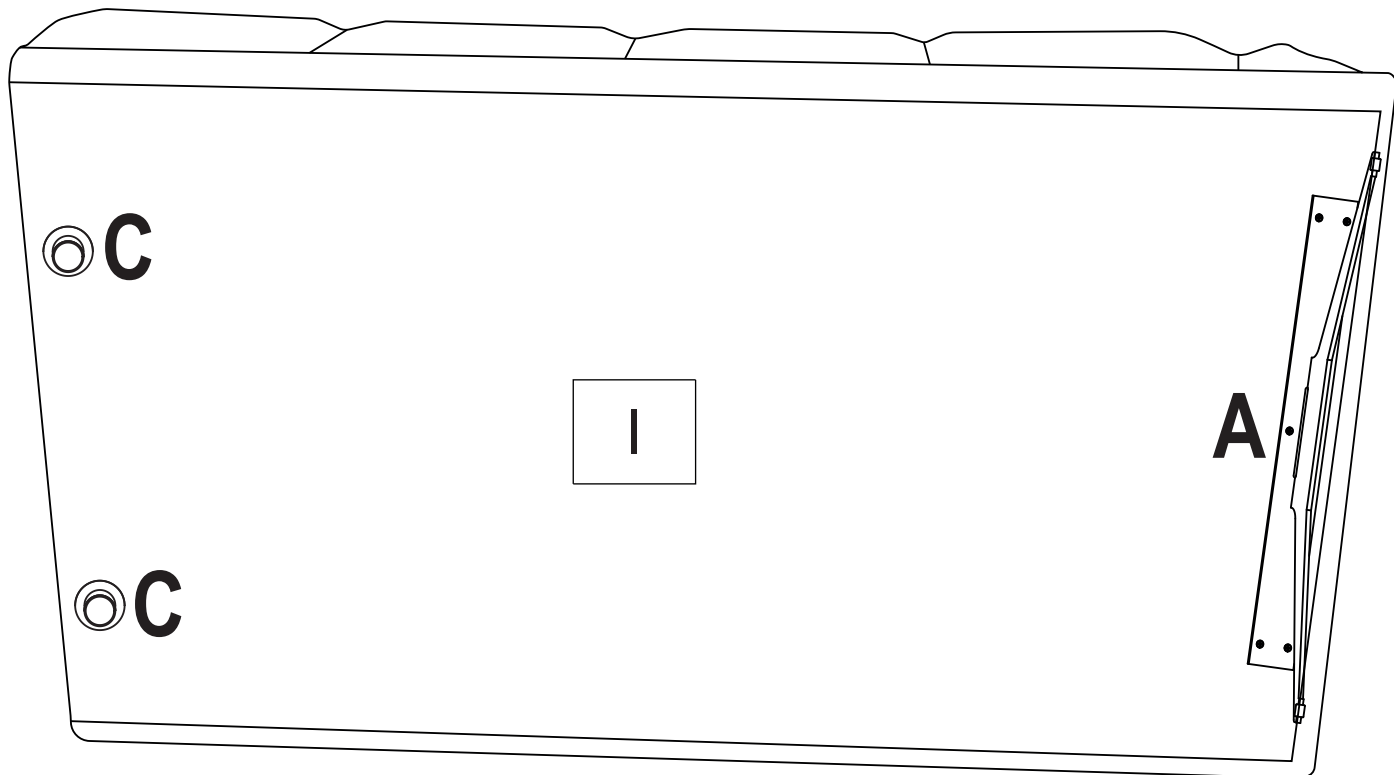


H=160mm

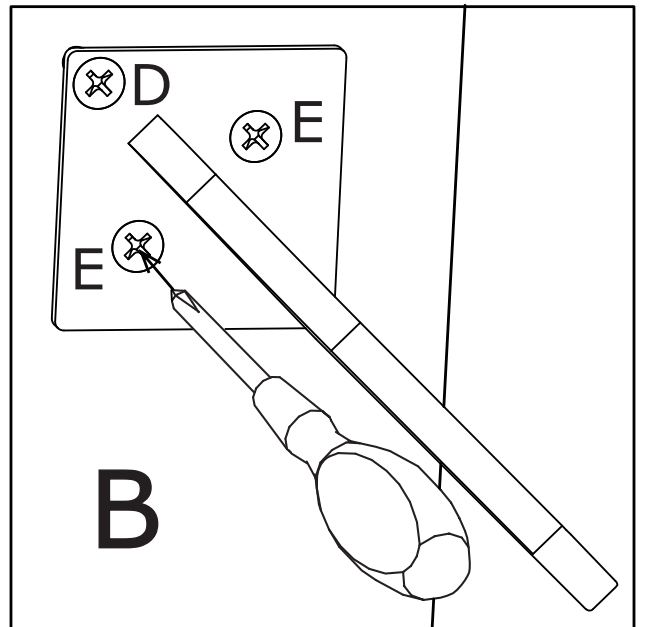
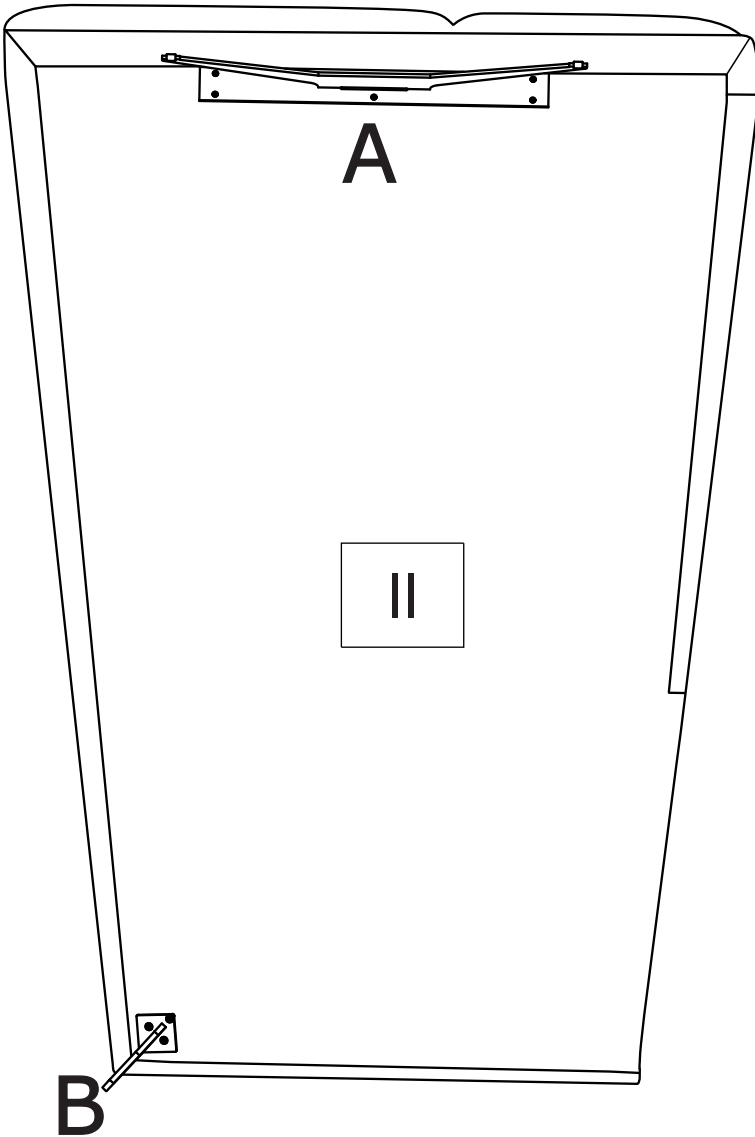
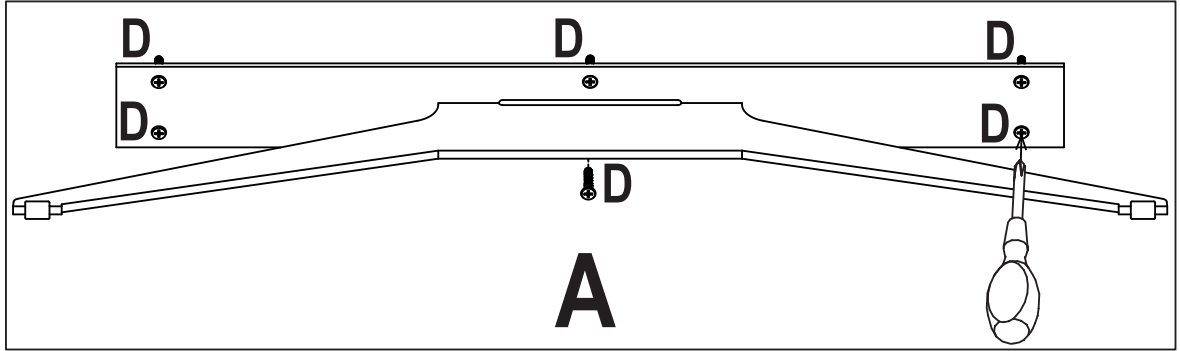
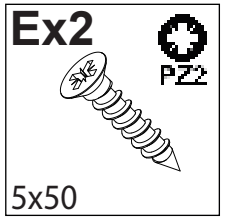
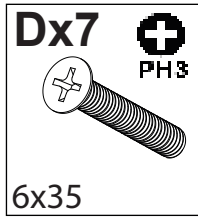
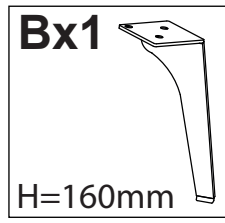
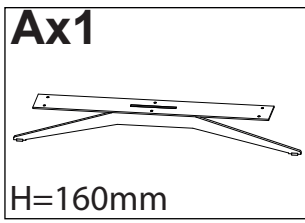
Dx6



6x35



2



3

