


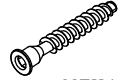

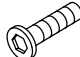
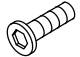
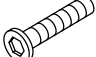
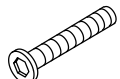

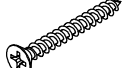




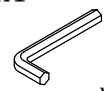
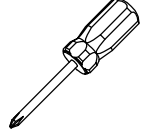
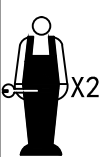
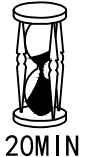

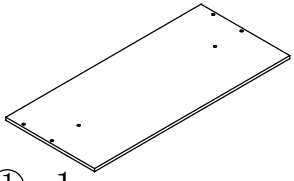
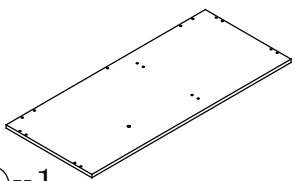
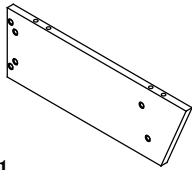
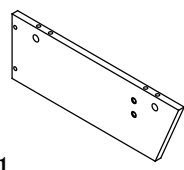
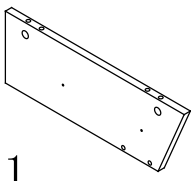
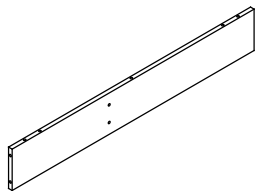
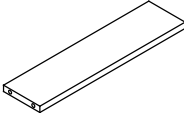
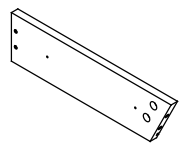
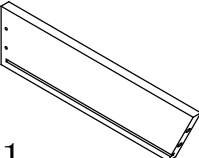
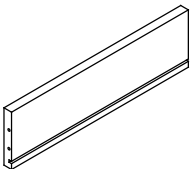
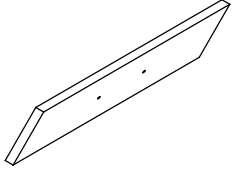
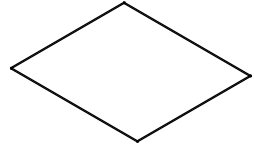
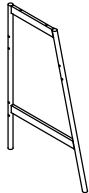

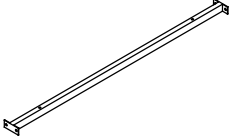
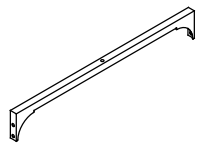
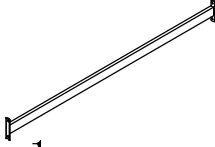
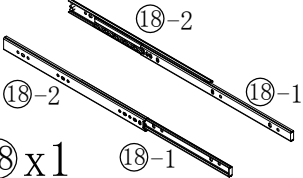
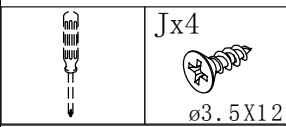
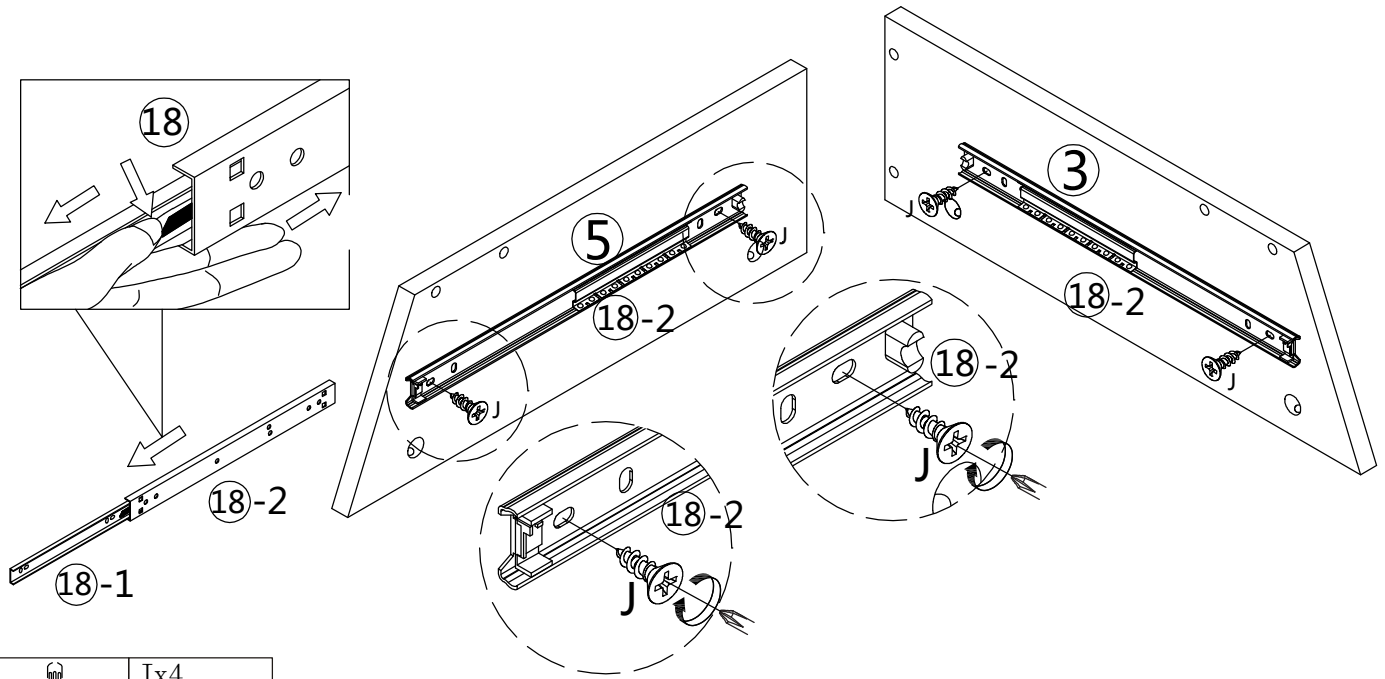
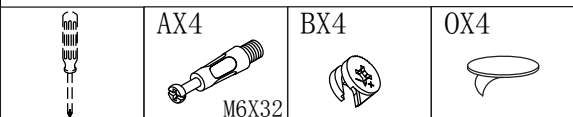
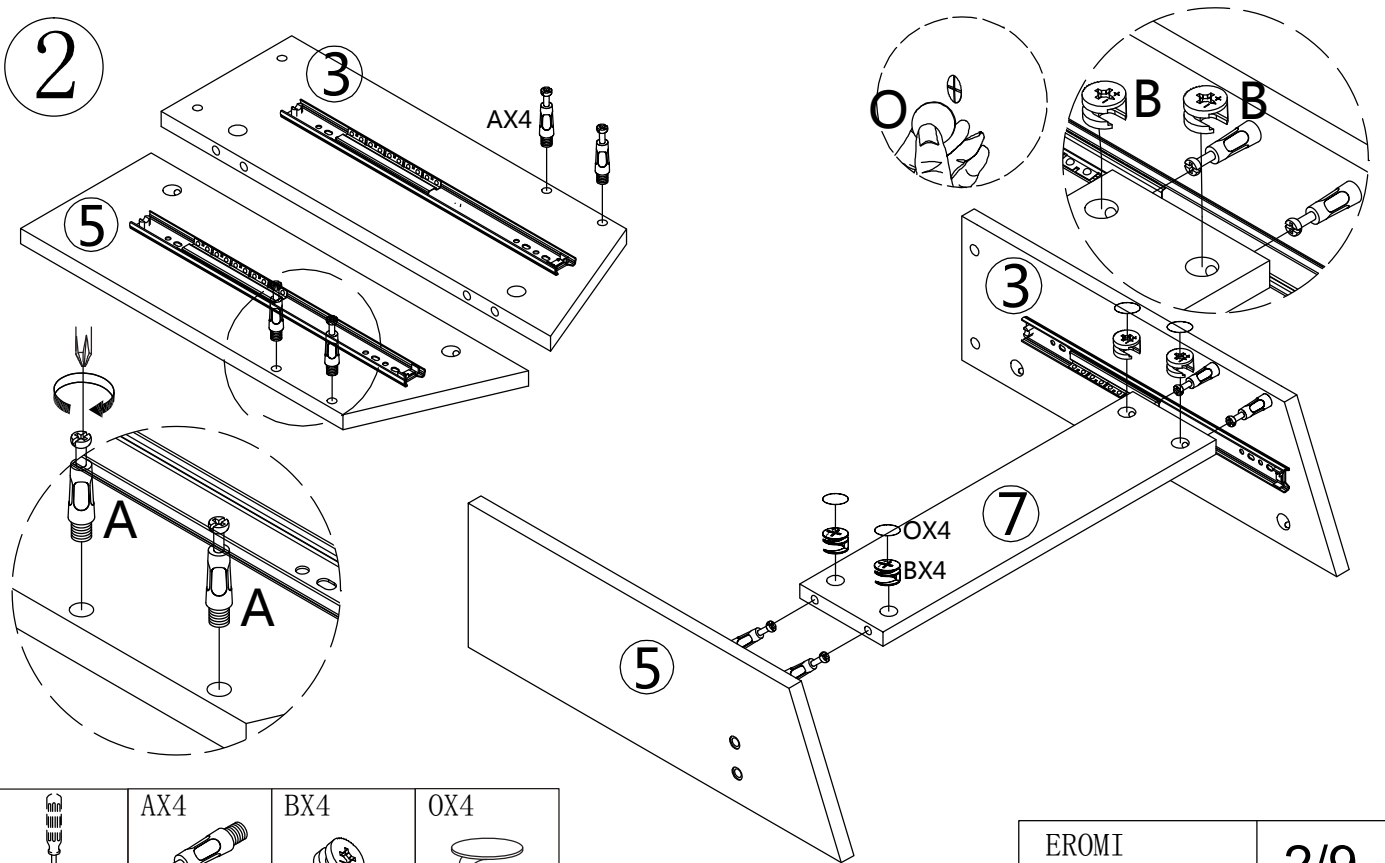
 <p>EROMI XJH-2241</p>	<p>Ax17 M6X32</p> 	<p>Bx17</p> 	<p>Cx8 ø8 X30</p> 	<p>Dx6 M7X48</p> 
	<p>Ex8 M6X12</p> 	<p>Fx12 M6X32</p> 	<p>Gx1 M6X30</p> 	<p>Hx2 M6X40</p> 
	<p>Ix4 M6X48</p> 	<p>Jx8 ø3.5X12</p> 	<p>Kx4 ø4X35</p> 	<p>Lx4 M6</p> 
	<p>Mx1</p> 	<p>Nx2 M4X19</p> 	<p>Ox13</p> 	<p>Px1 M4</p> 
	 <p>X2</p>	 <p>20MIN</p>	<p>Qx1 M6</p> 	
<p>① x1</p> 	<p>② x1</p> 	<p>③ x1</p> 	<p>④ x1</p> 	
<p>⑤ x1</p> 	<p>⑥ x1</p> 	<p>⑦ x1</p> 	<p>⑧ x1</p> 	
<p>⑨ x1</p> 	<p>⑩ x1</p> 	<p>⑪ x1</p> 	<p>⑫ x1</p> 	
<p>⑬ x1</p> 	<p>⑭ x1</p> 	<p>⑮ x1</p> 	<p>⑯ x1</p> 	
<p>⑰ x1</p> 	<p>⑱ x1</p>  <p>⑱-1</p> <p>⑱-2</p>		<p>EROMI XJH-2241</p>	
			<p>1/9</p>	

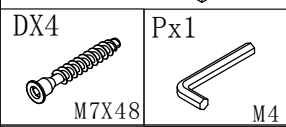
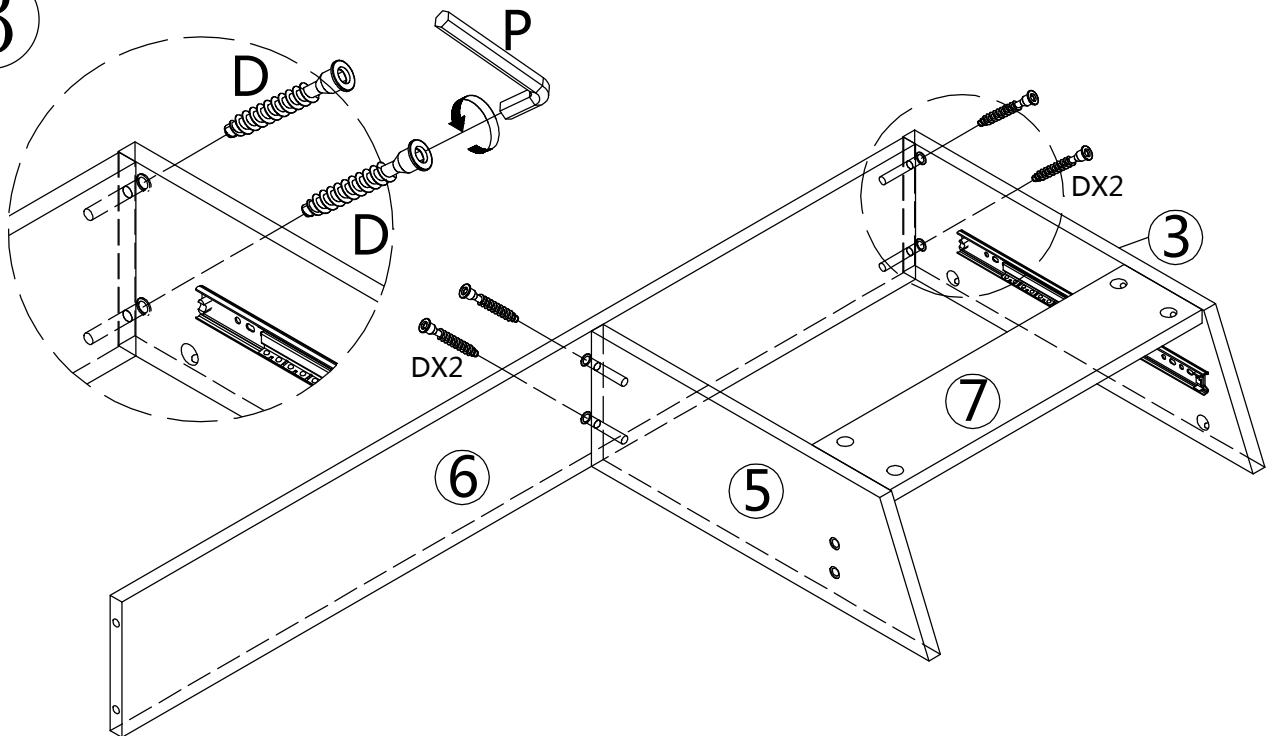
1



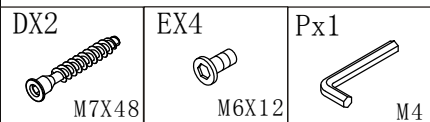
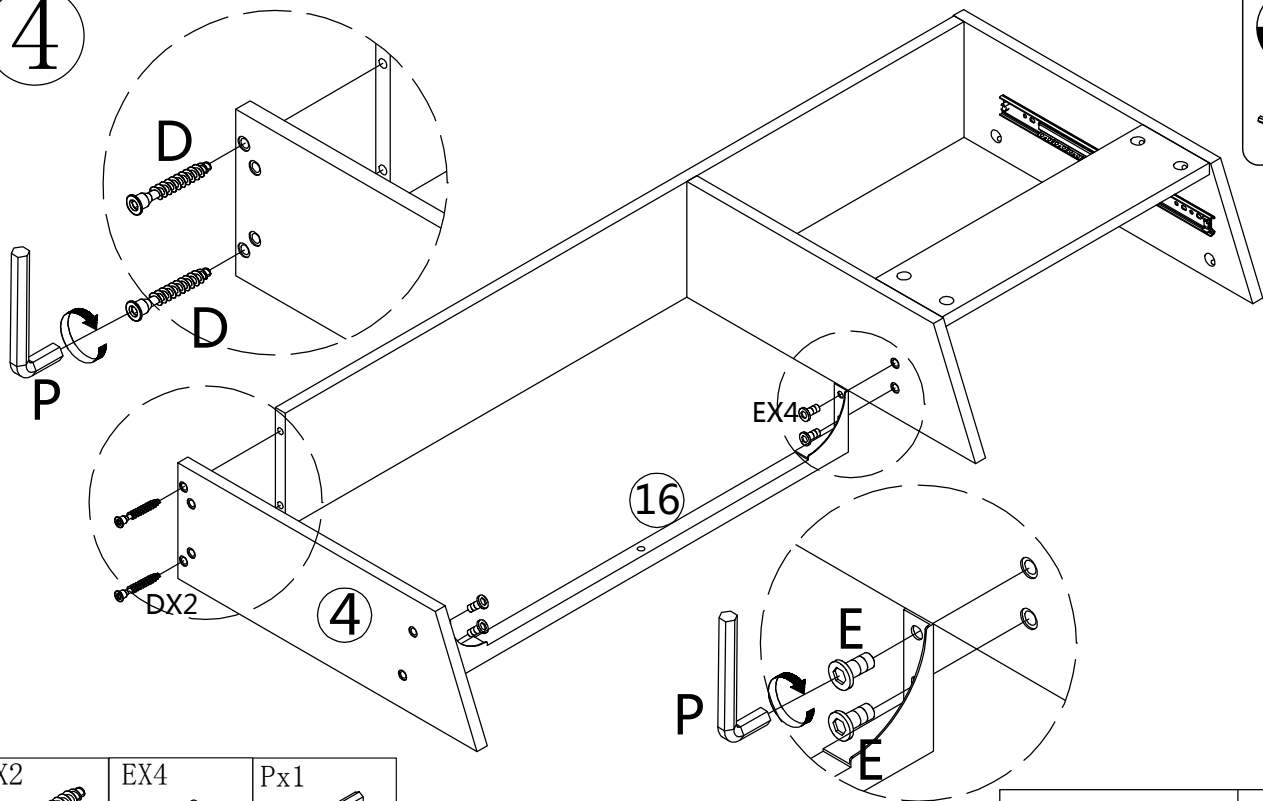
2



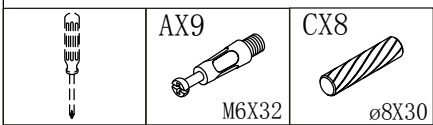
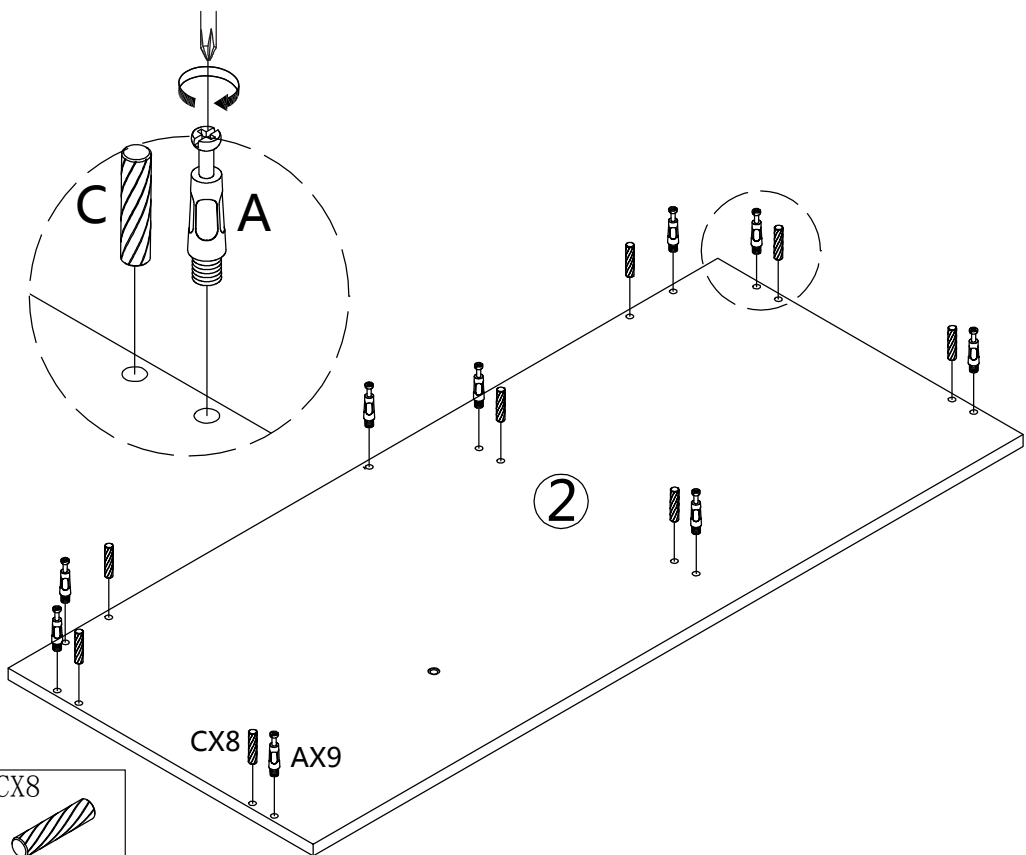
3



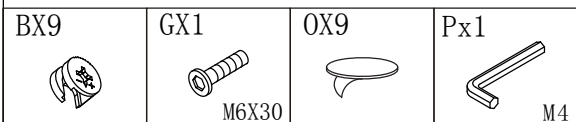
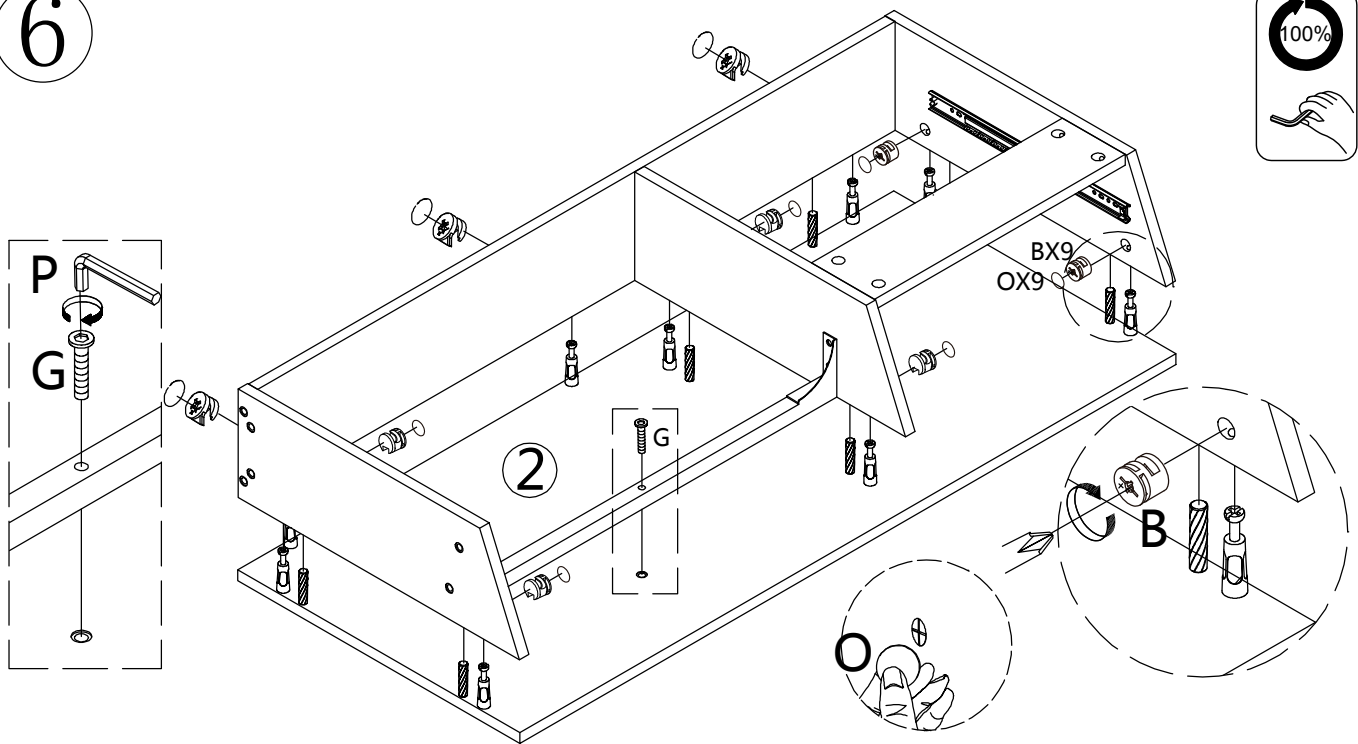
4



5



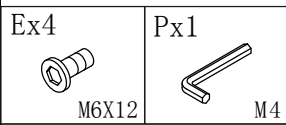
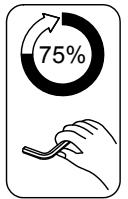
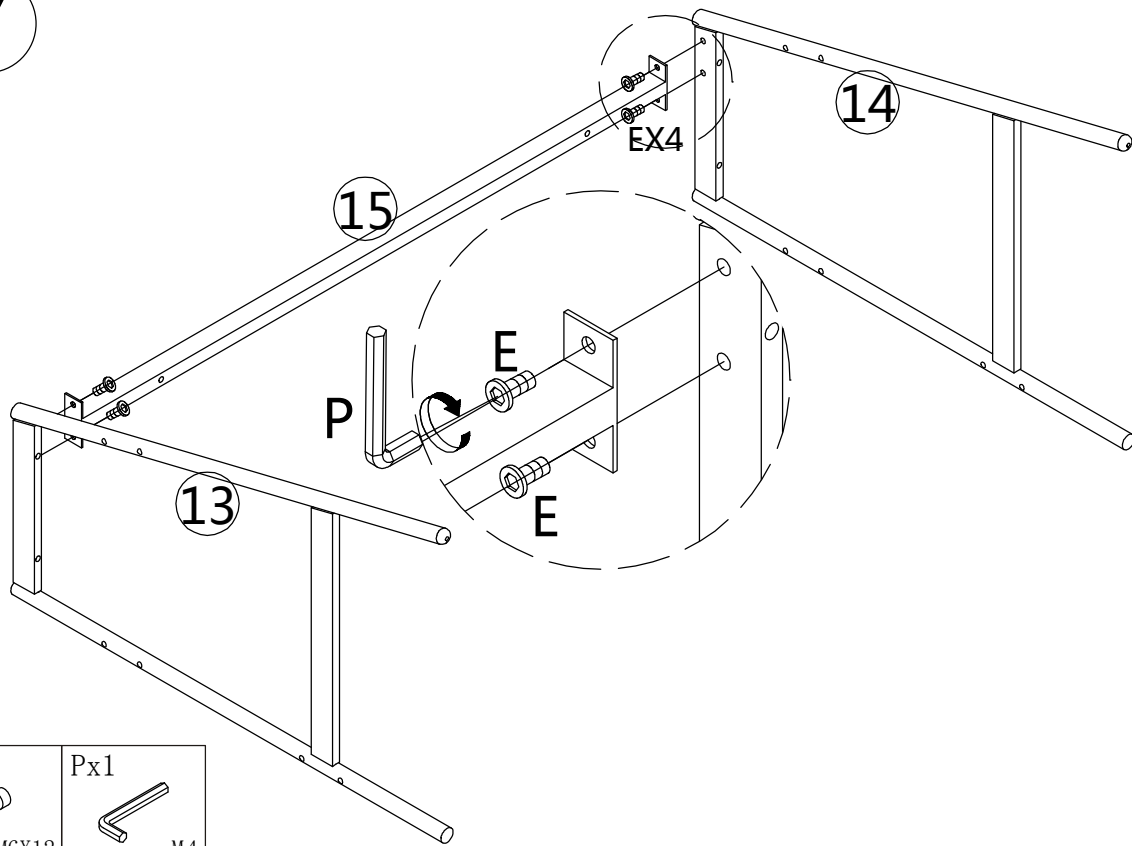
6



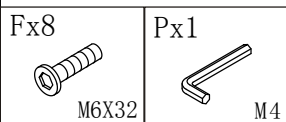
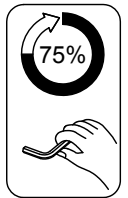
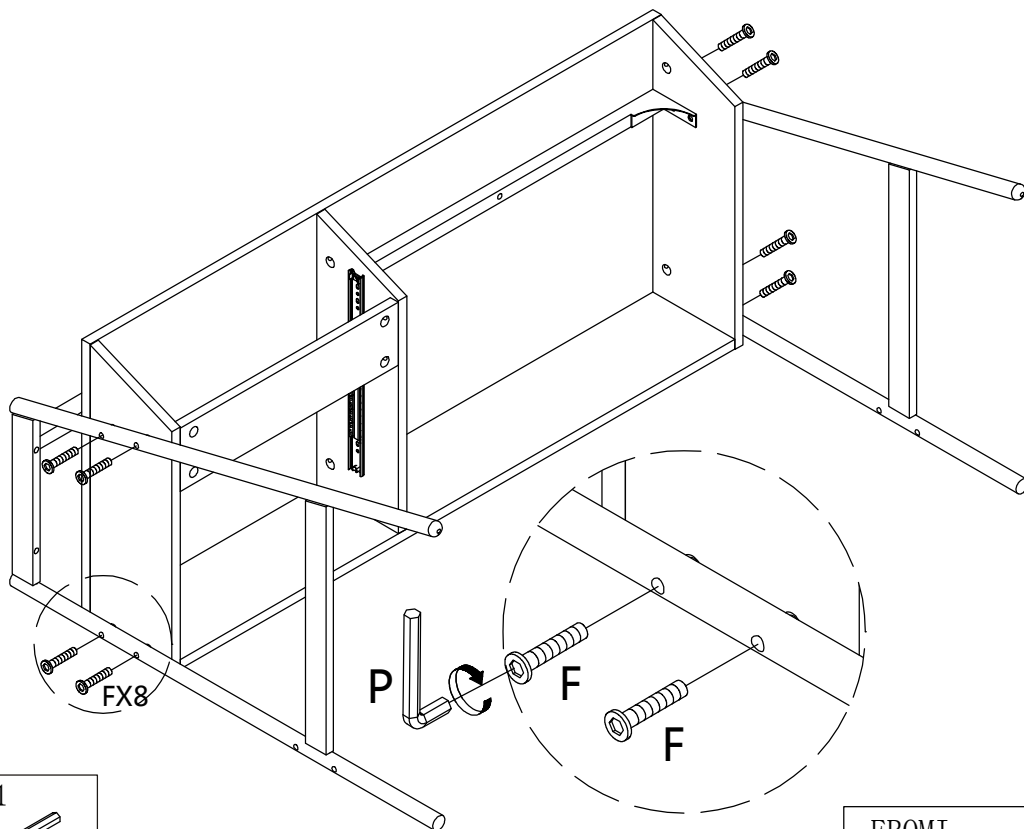
EROMI
XJH-2241

4/9

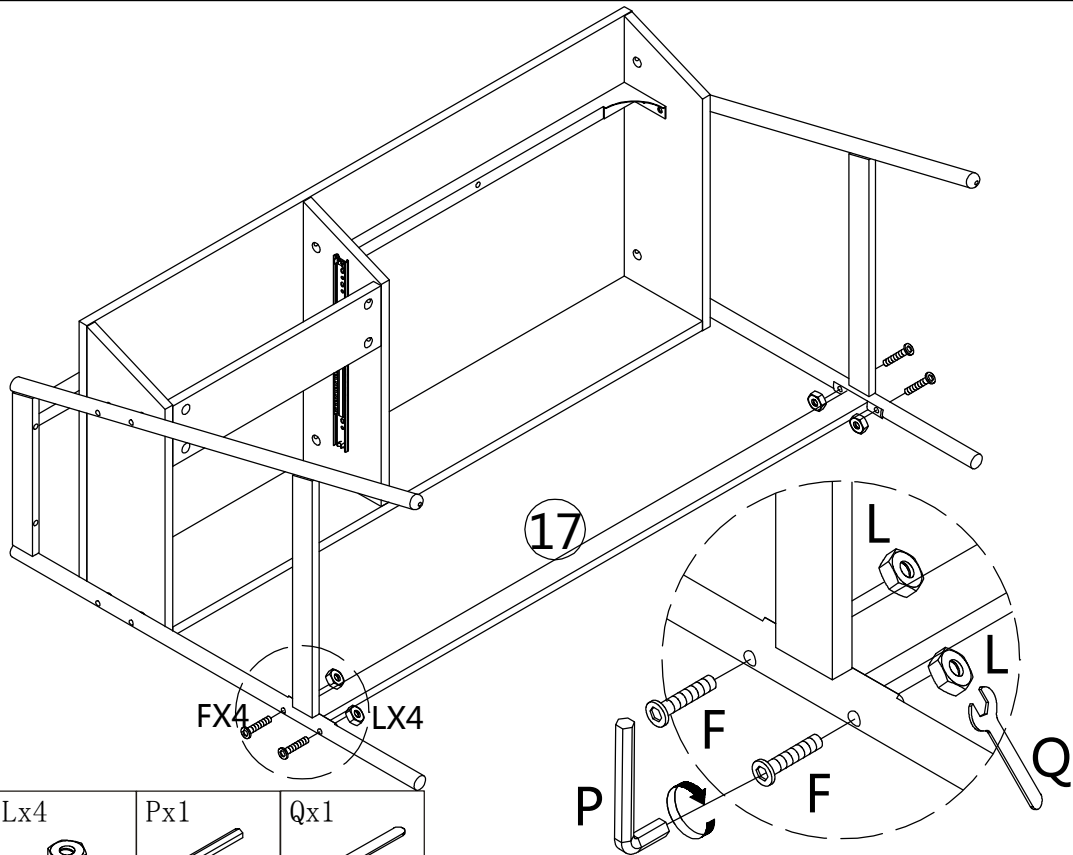
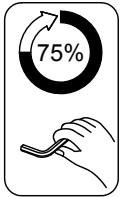
7

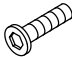

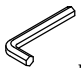



8

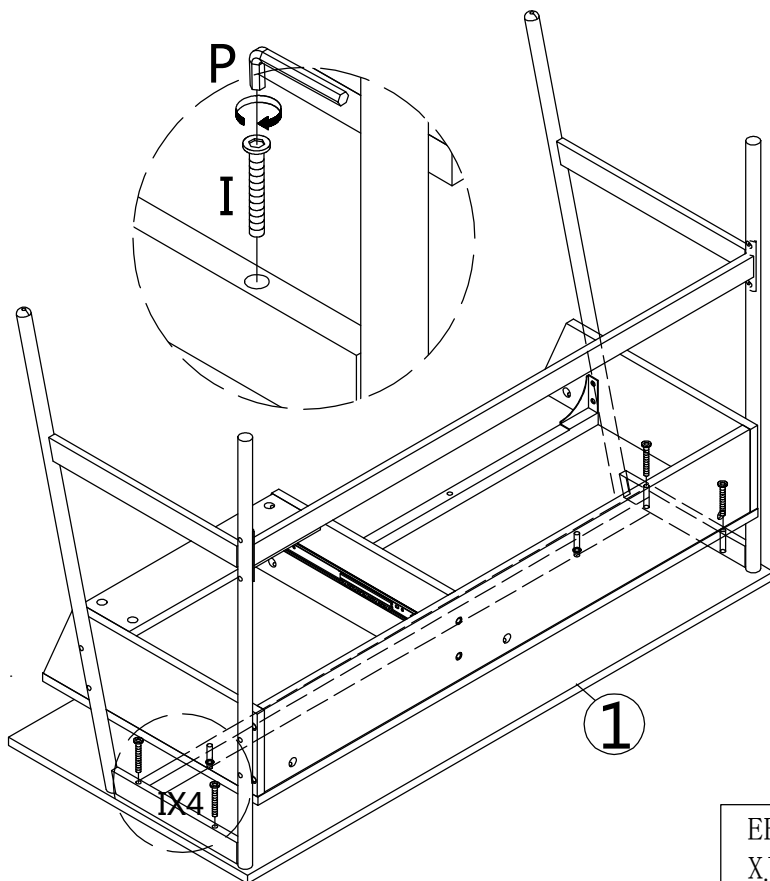
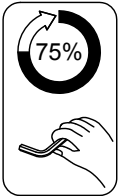


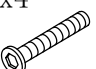

9



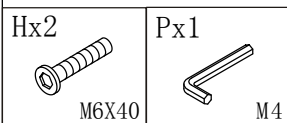
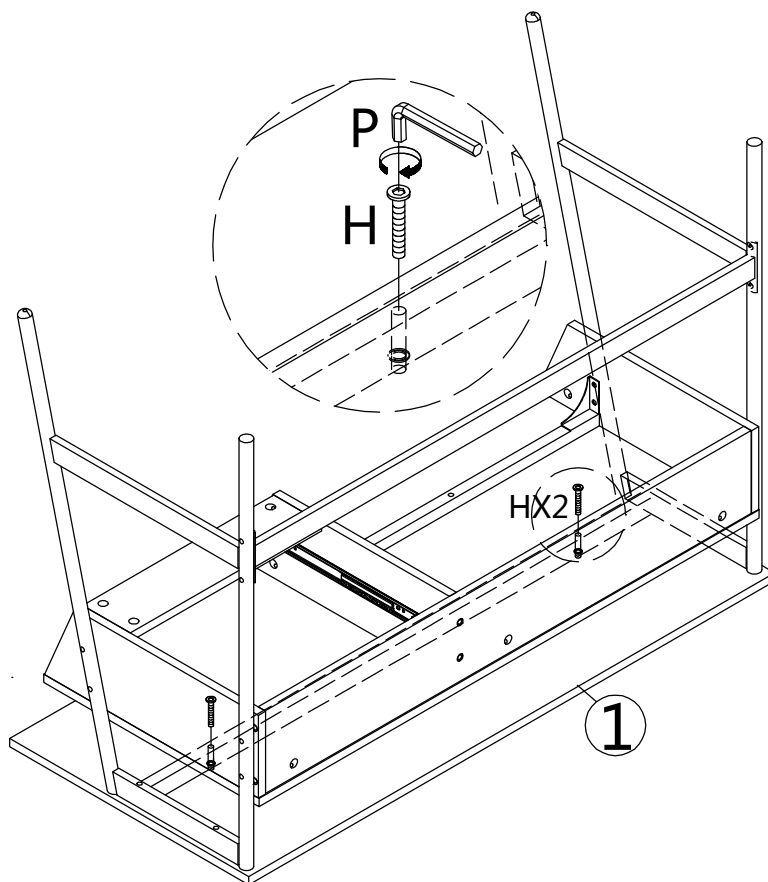
Fx4  M6X32	Lx4  M6	Px1  M4	Qx1  M6
---	--	--	--

10

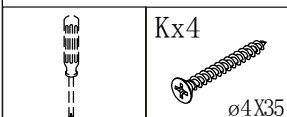
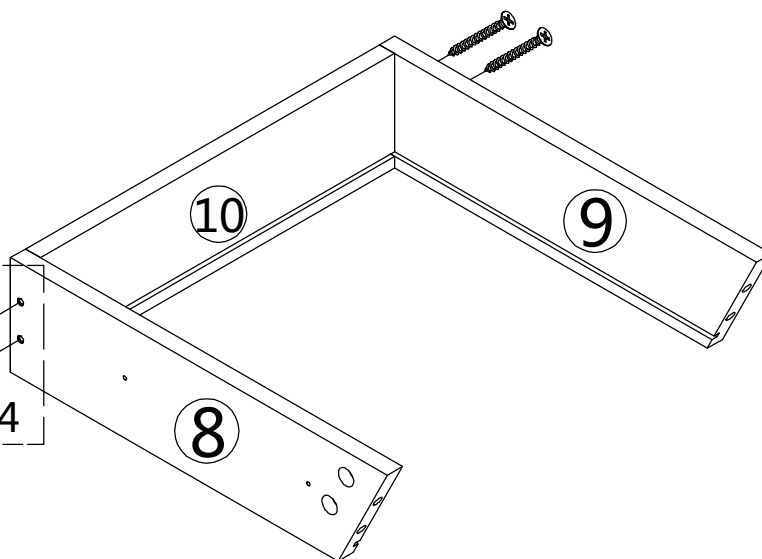
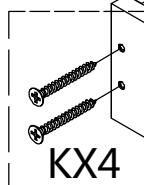
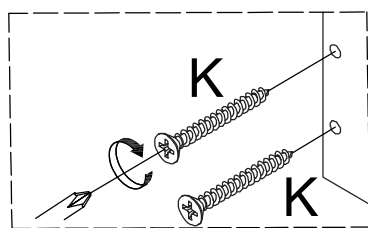


Ix4  M6X48	Px1  M4
---	--

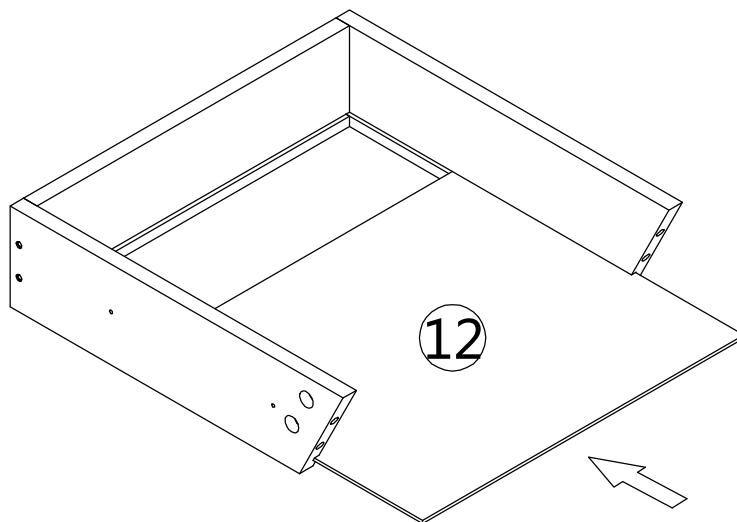
11



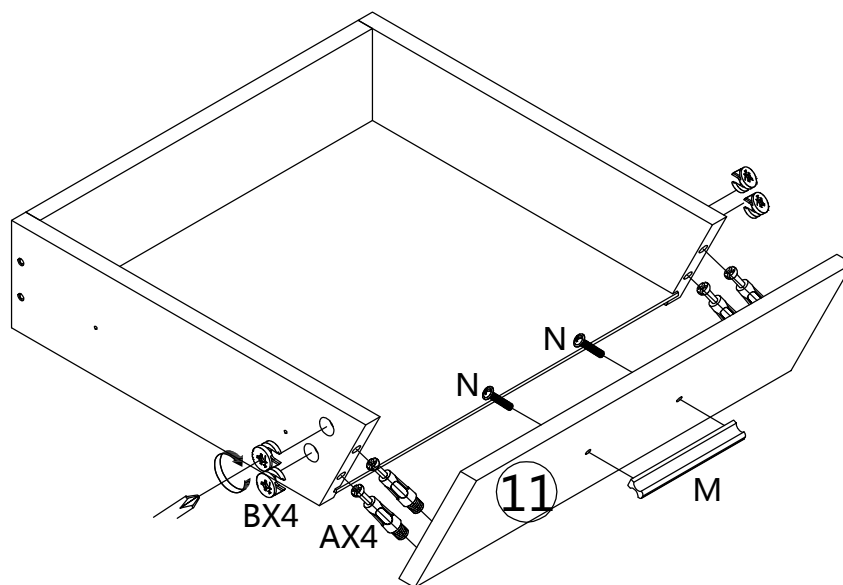
12



13



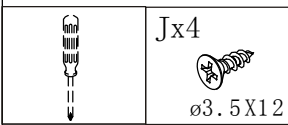
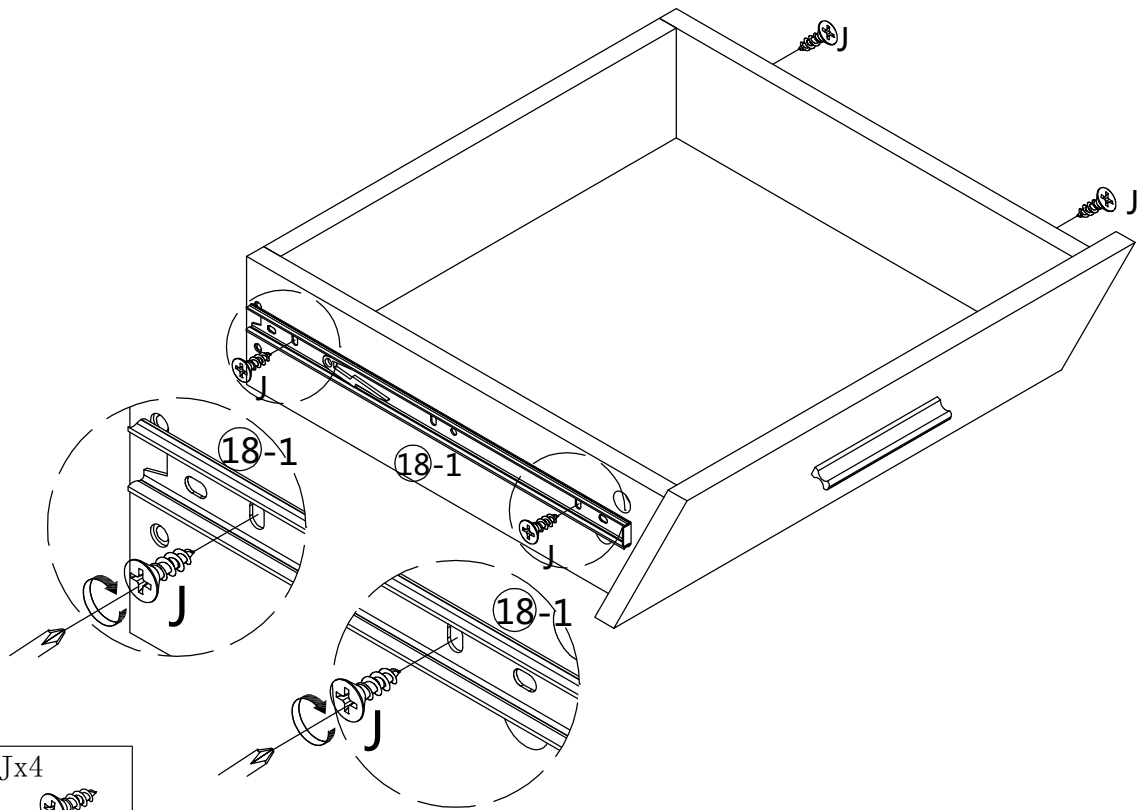
14



	AX4  M6X32	BX4 	MX1 	NX2  M4X19
---	---	--	--	---

EROMI
XJH-2241

15



16

