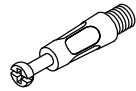

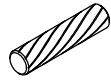
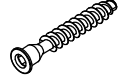
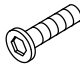
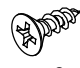
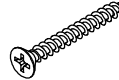
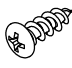





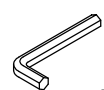
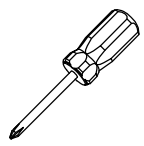
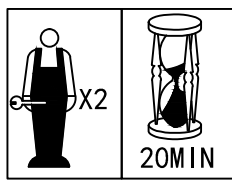
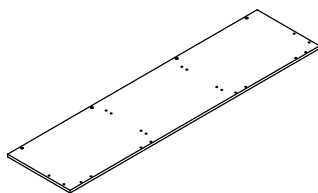
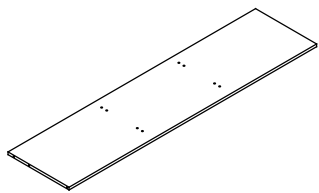
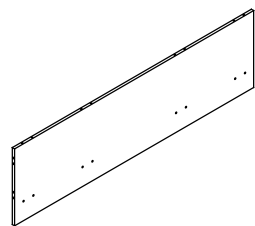
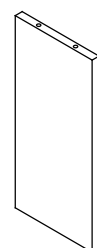
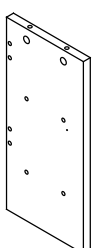
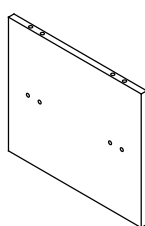
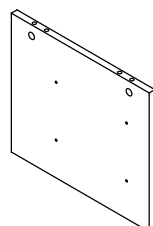
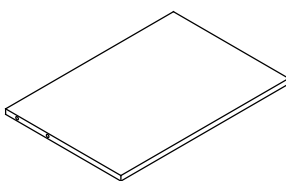
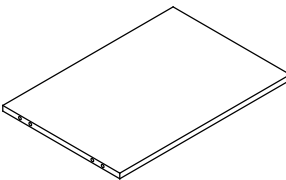
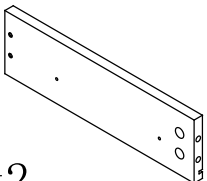
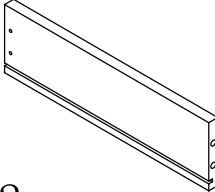
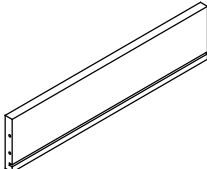
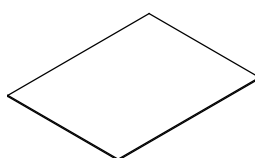
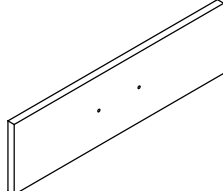
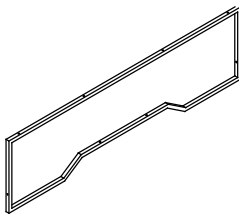
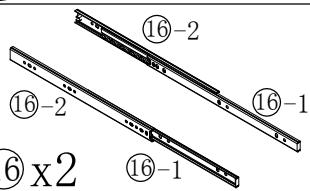
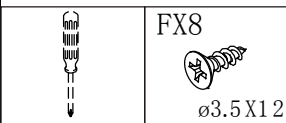
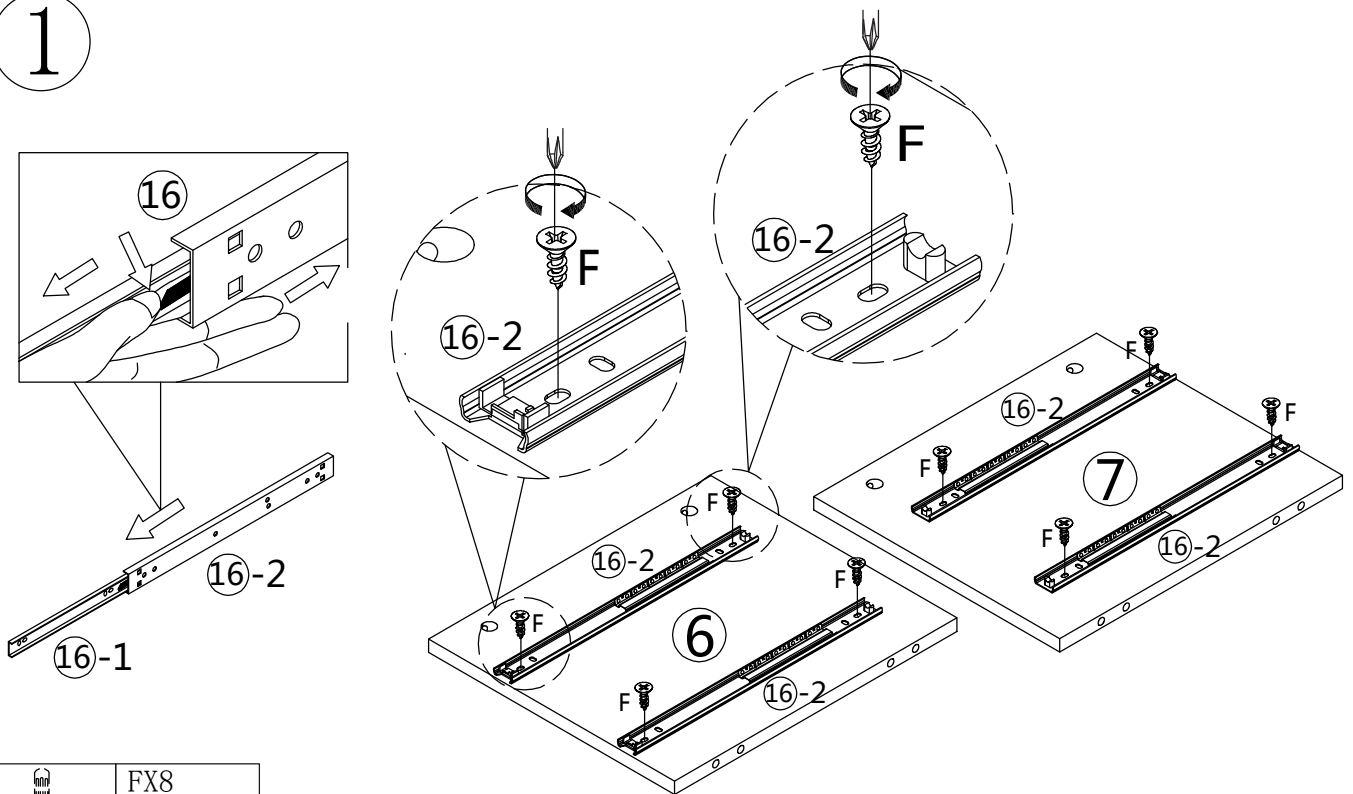
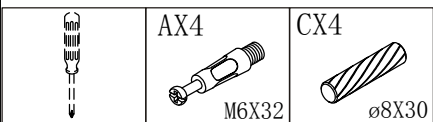
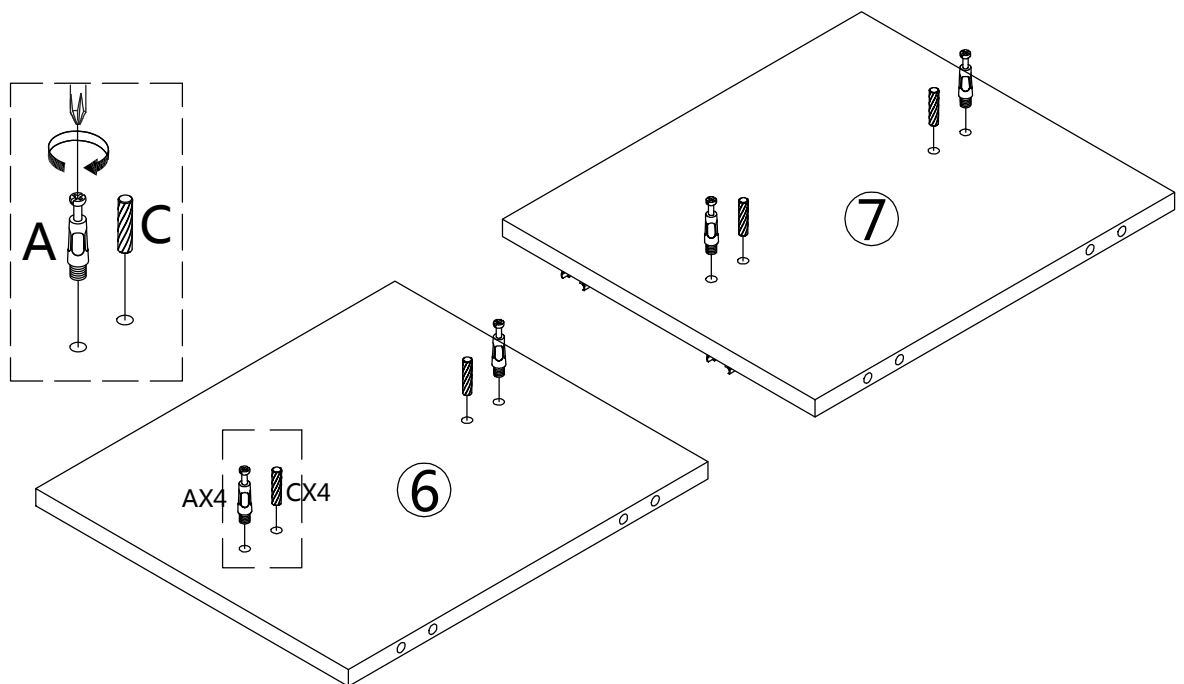
 <p style="text-align: center;">EROMI XJH-2244</p>	Ax36  M6X32	Bx36  M6X32	Cx24  ø8X30	Dx10  M7X48
	Ex6  M6X30	Fx16  ø3.5X12	Gx8  ø4x35	Hx4  M4X12
	Ix2 	Jx2 	Kx4  M4X19	Lx2  M6x(ø22)x12
	Mx32 	Nx1  M4		
 				
 ① x1	 ② x1	 ③ x1	 ④ x1	
 ⑤ x1	 ⑥ x1	 ⑦ x1	 ⑧ x1	
 ⑨ x1	 ⑩ x2	 ⑪ x2	 ⑫ x2	
 ⑬ x2	 ⑭ x2	 ⑮ x1	 ⑯ x2 ⑯-1 ⑯-2 EROMI XJH-2244	
			1/9	

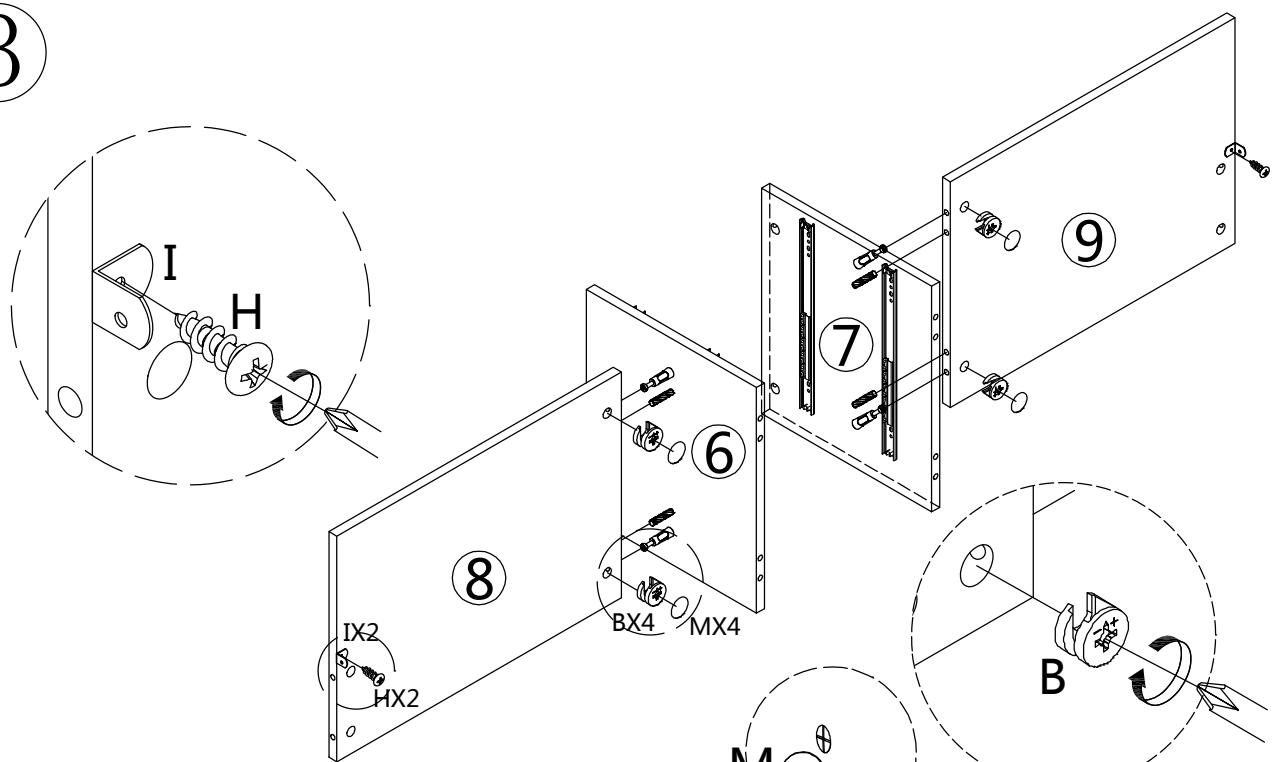
1




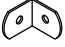



2

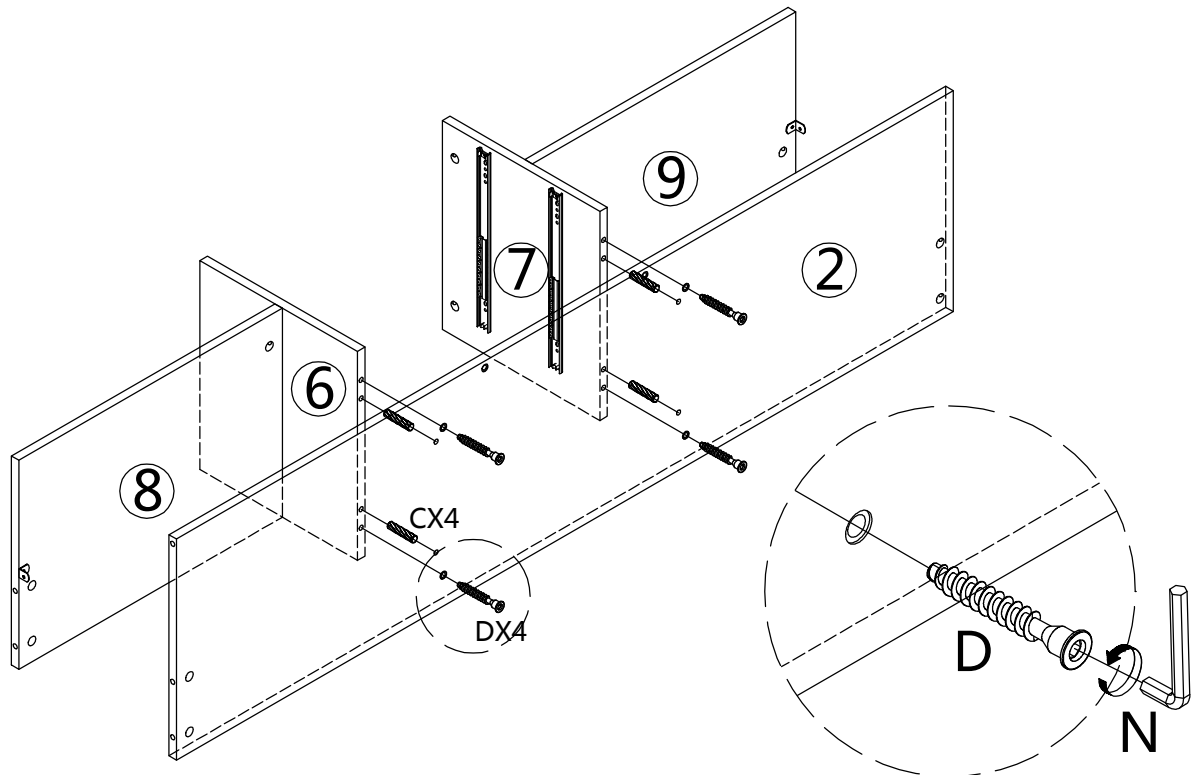




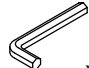
3



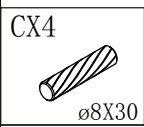
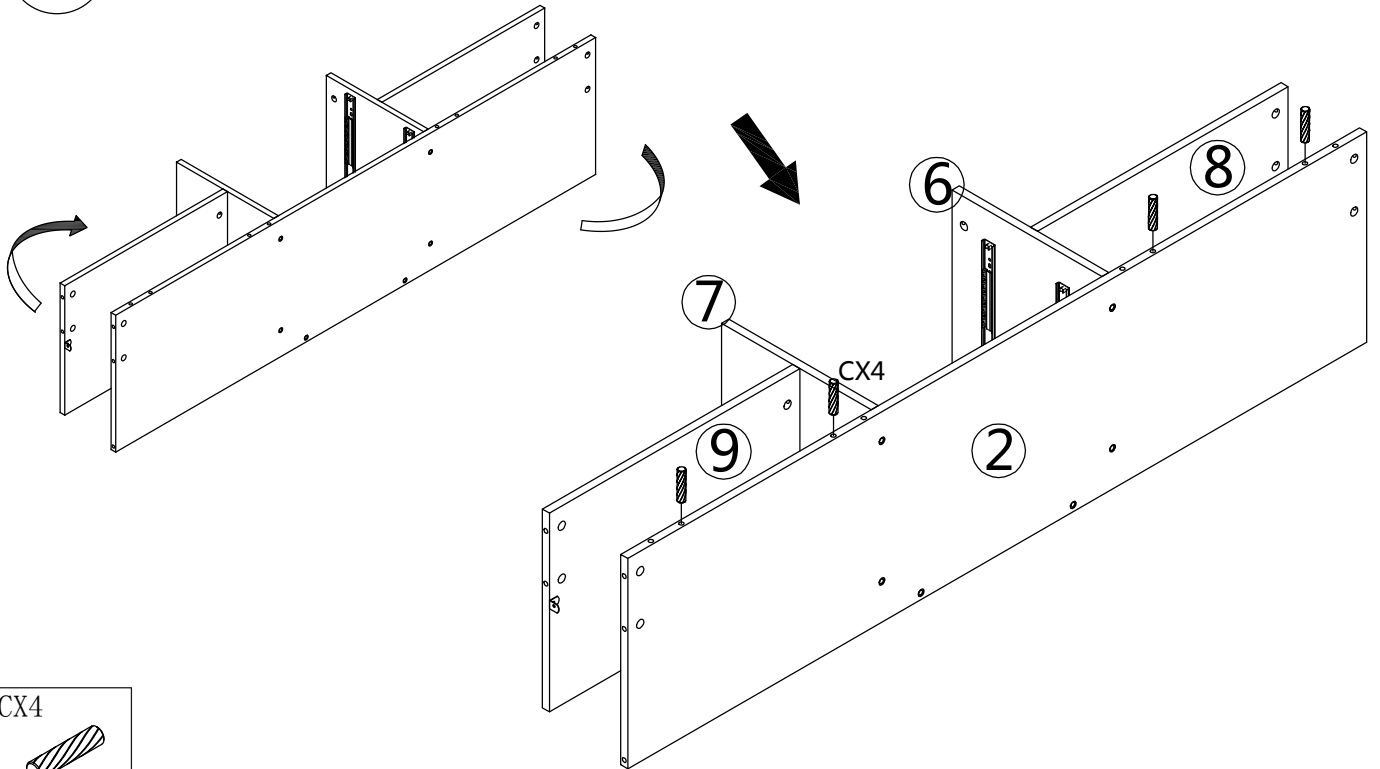
	BX4	HX2	IX2	MX4
				
		M4X12		

4

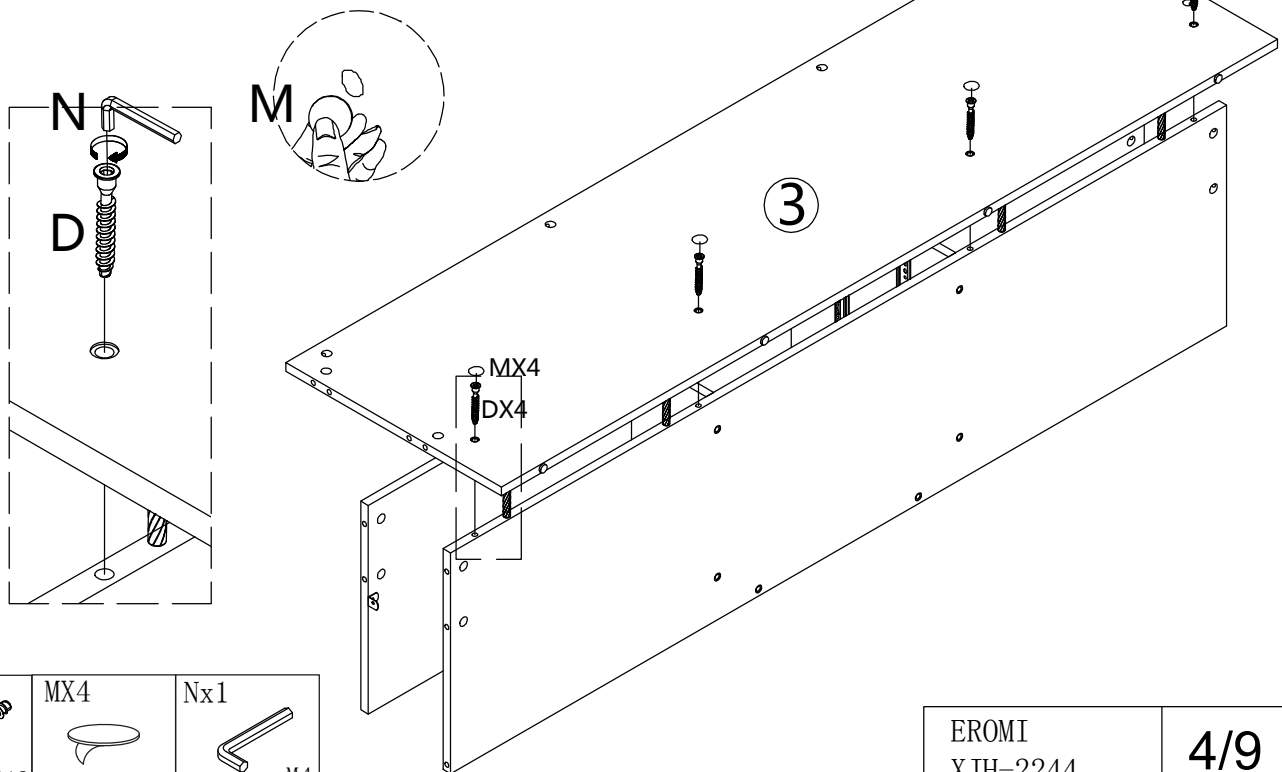


CX4	DX4	Nx1
		
ø8X30	M7X48	M4

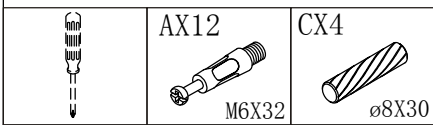
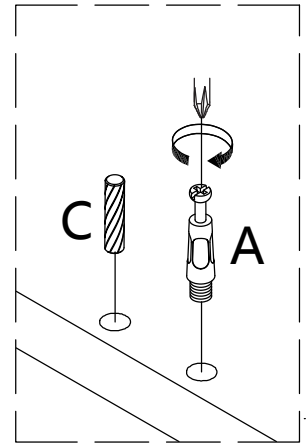
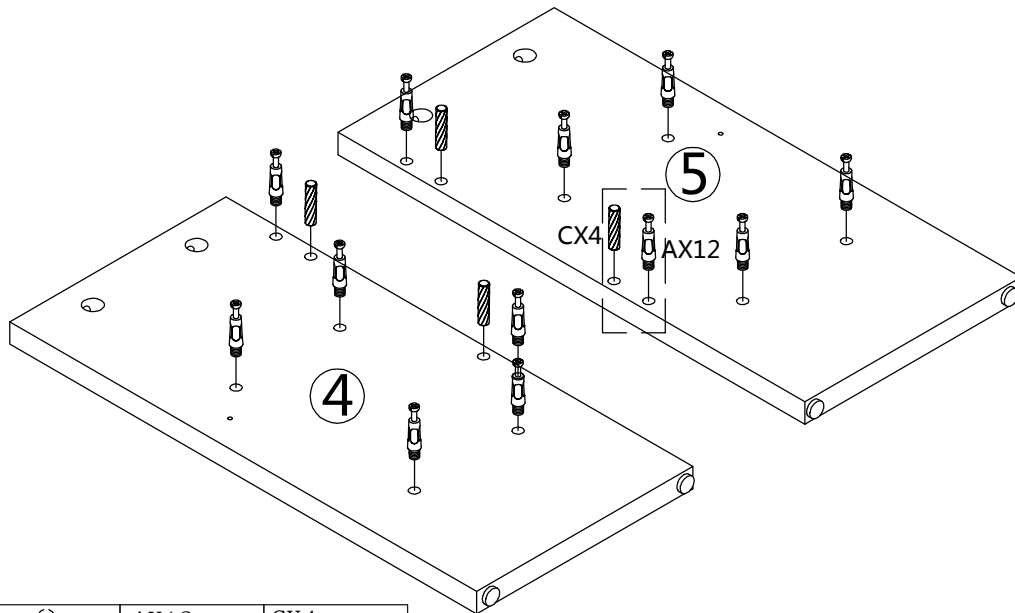
5



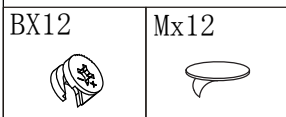
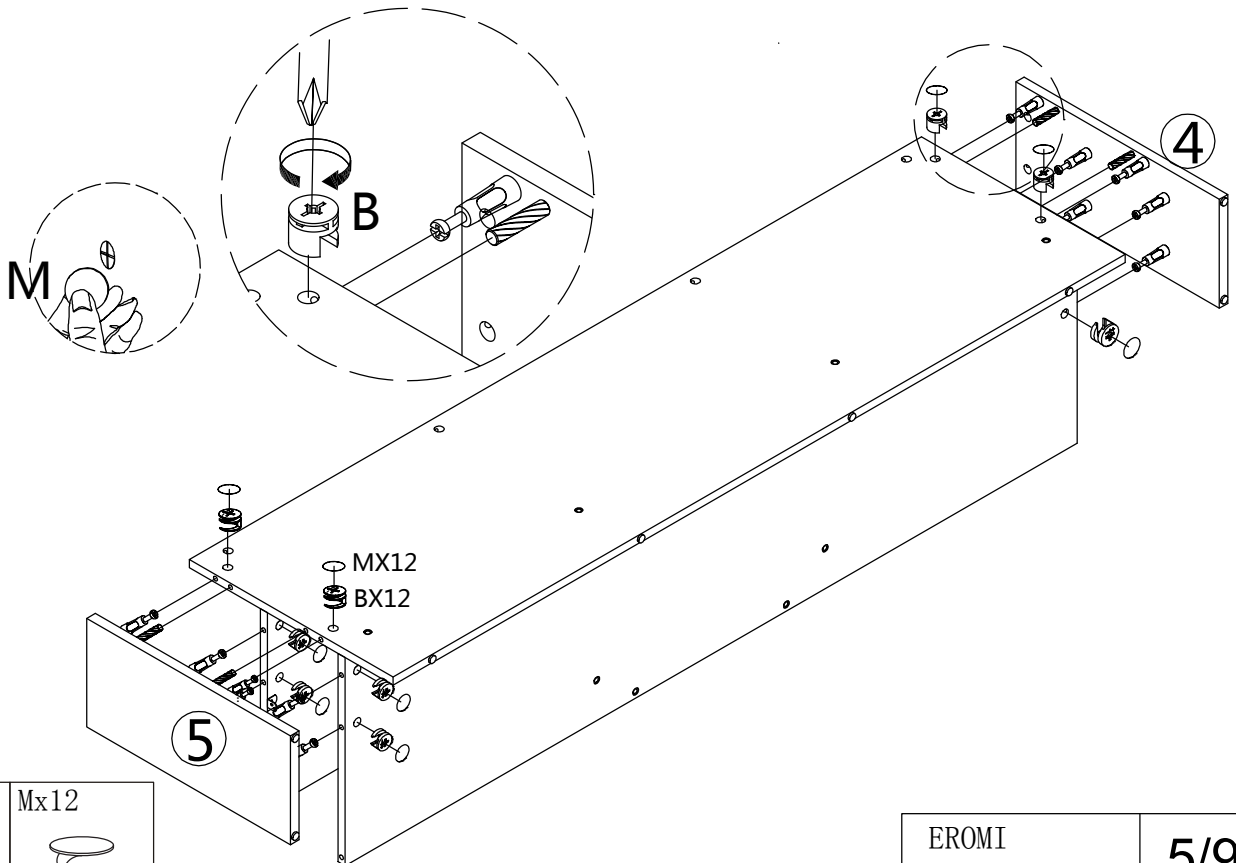
6



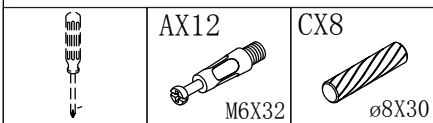
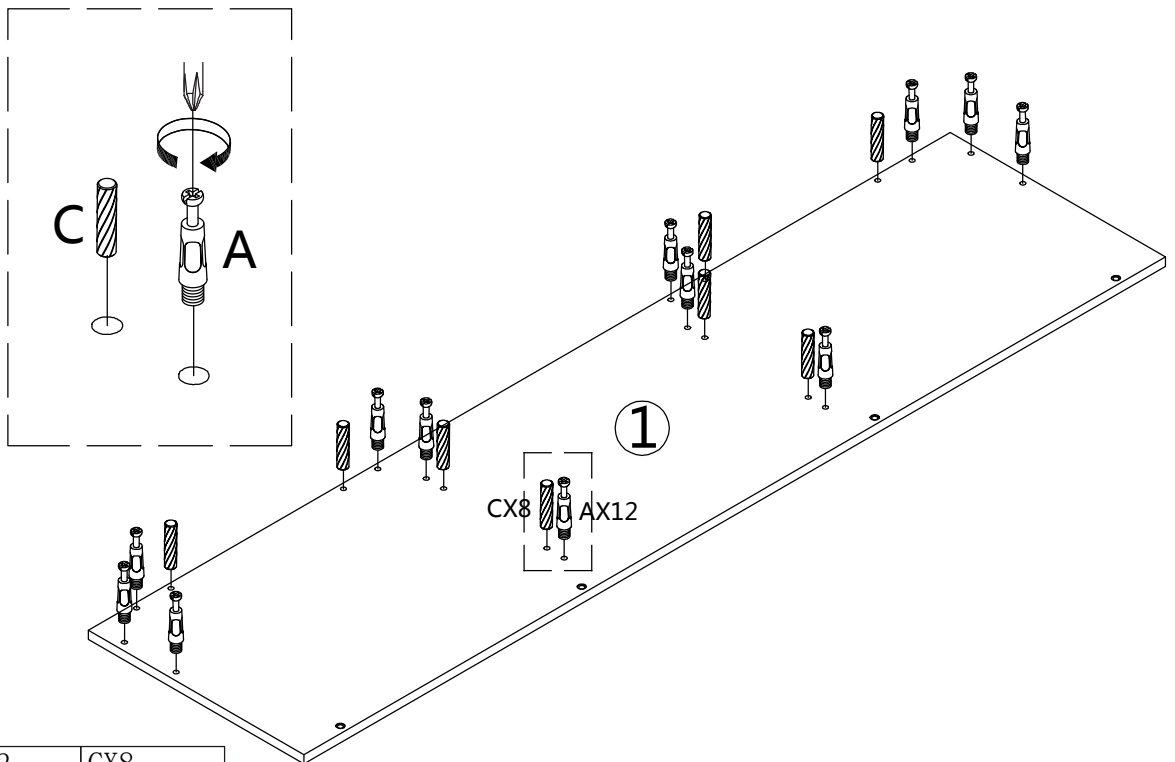
7



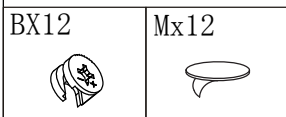
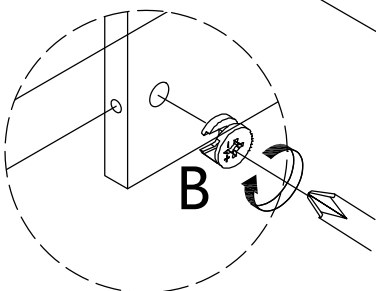
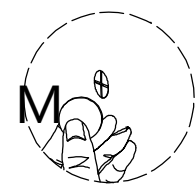
8



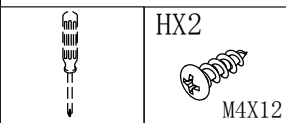
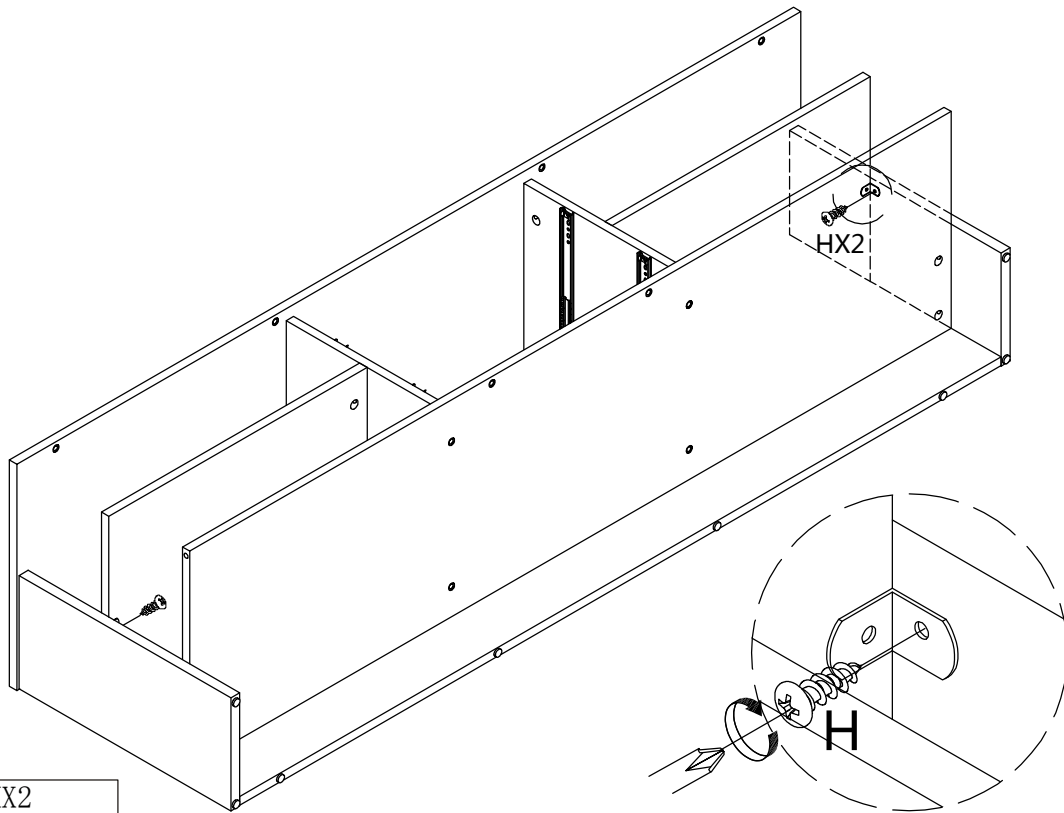
9



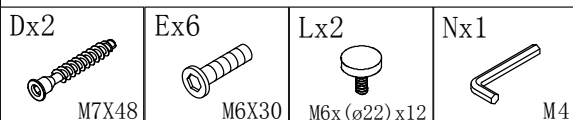
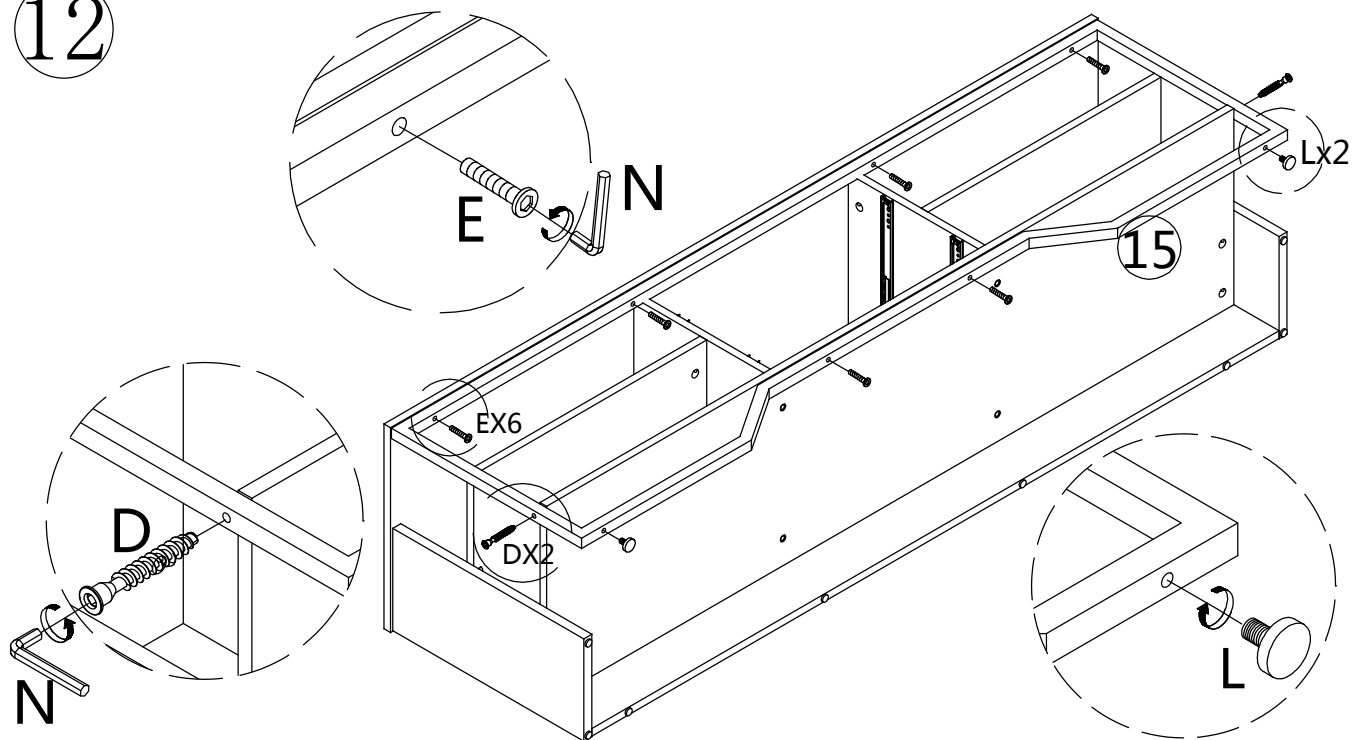
10



11

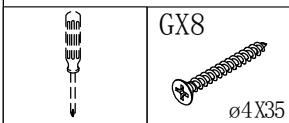
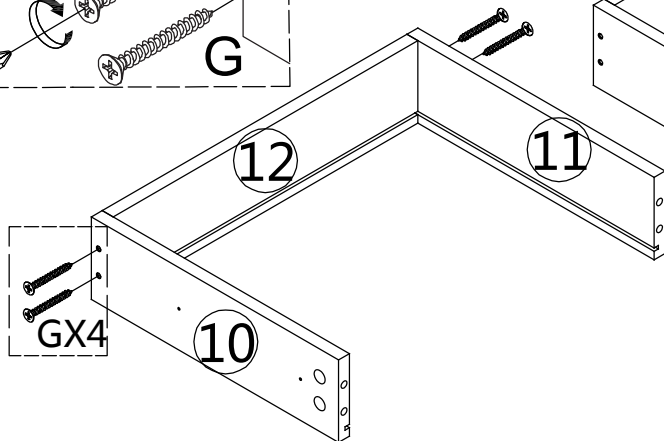
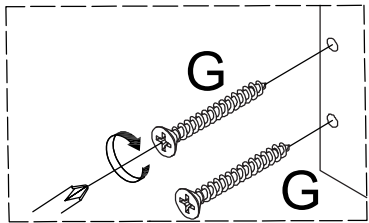


12



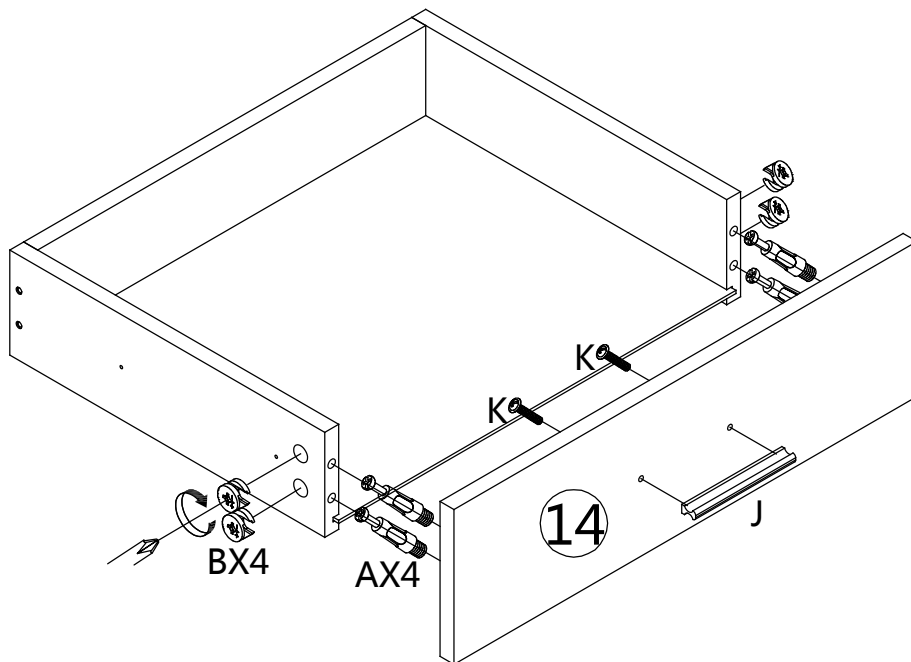
13

X2

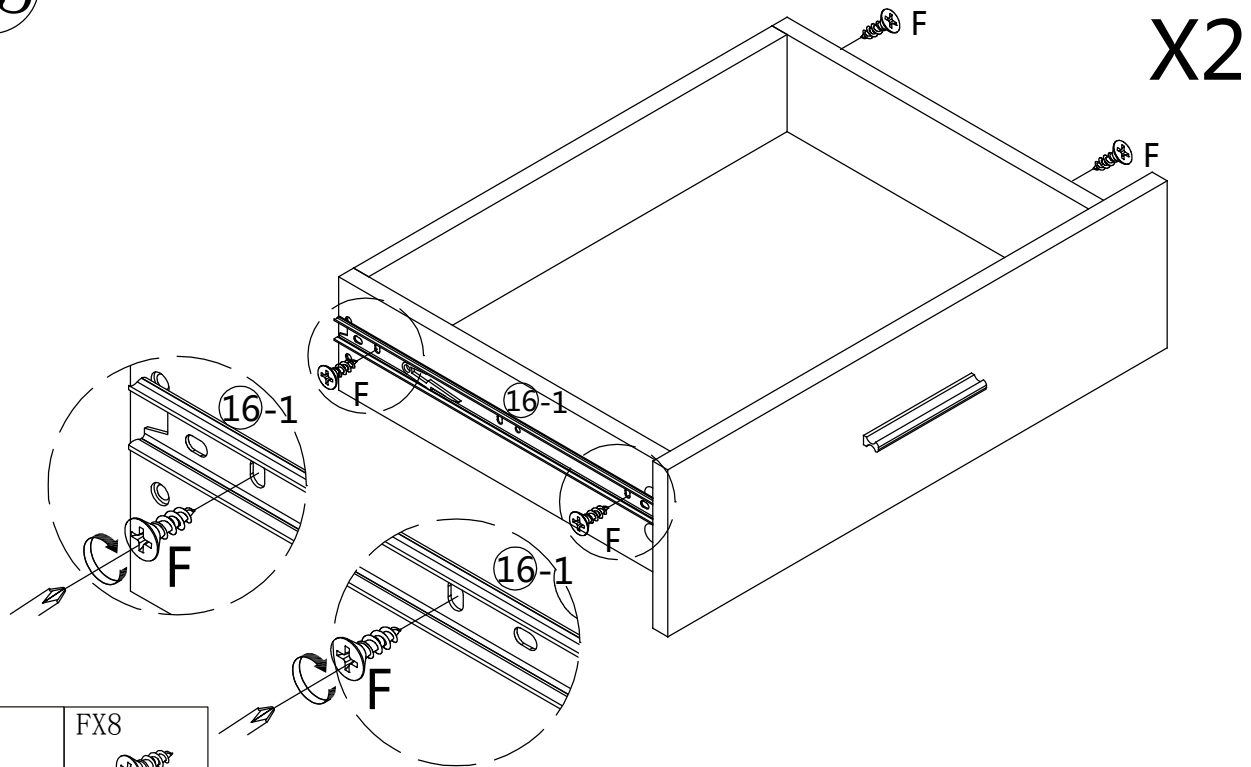


14

X2



15



FX8



ø3.5X12

16

