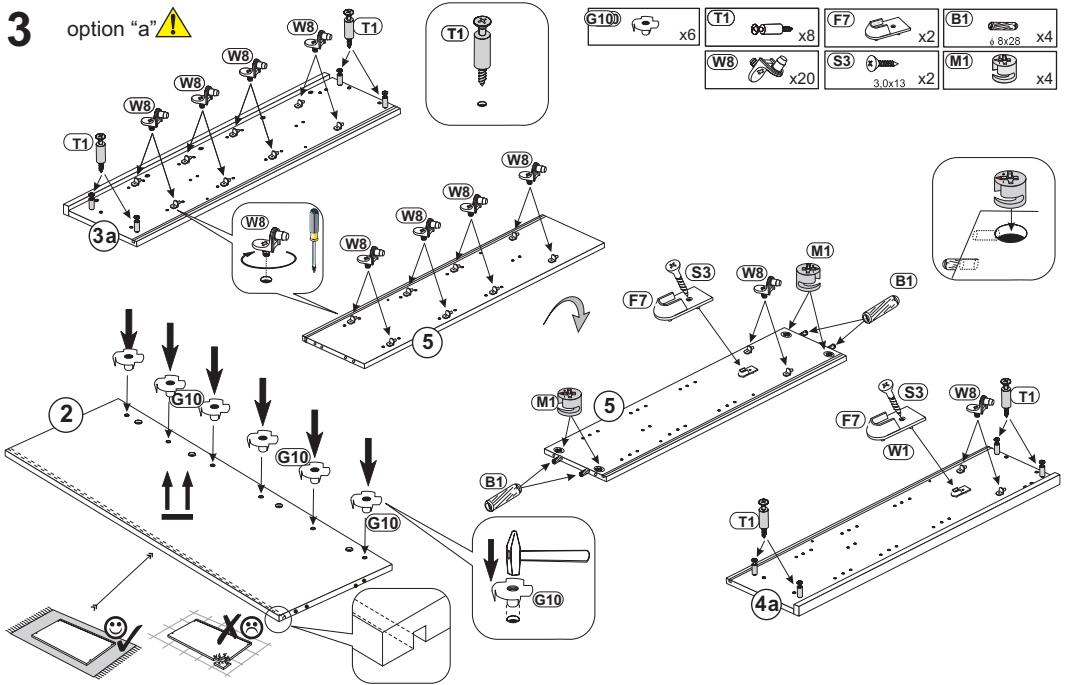
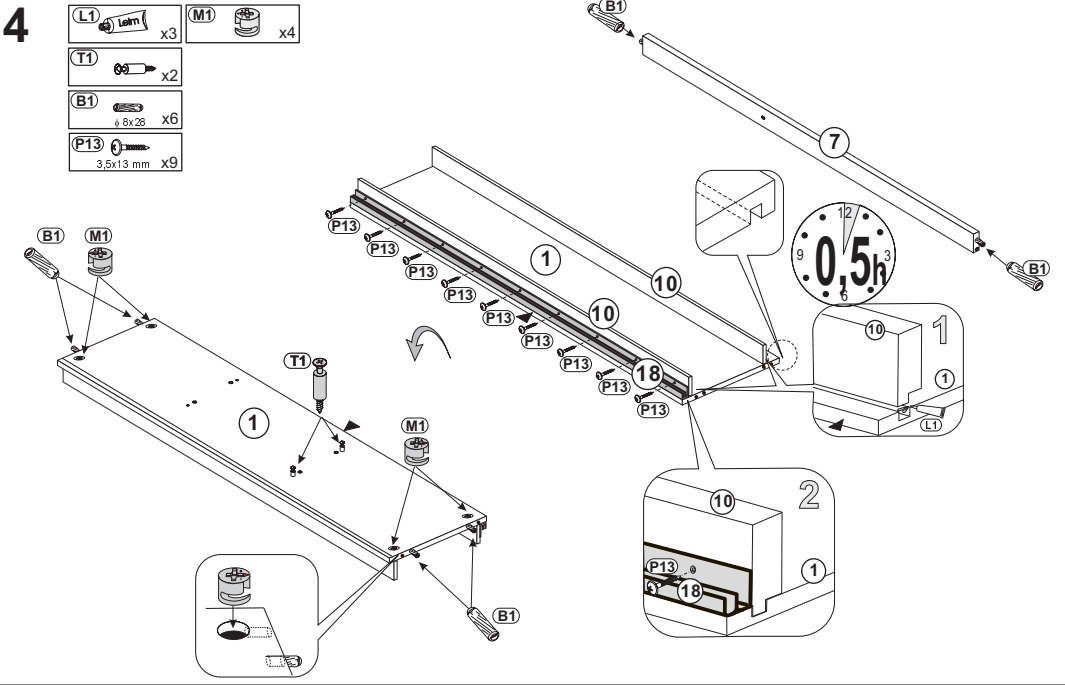

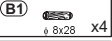

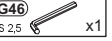




3 option "a" ⚠️

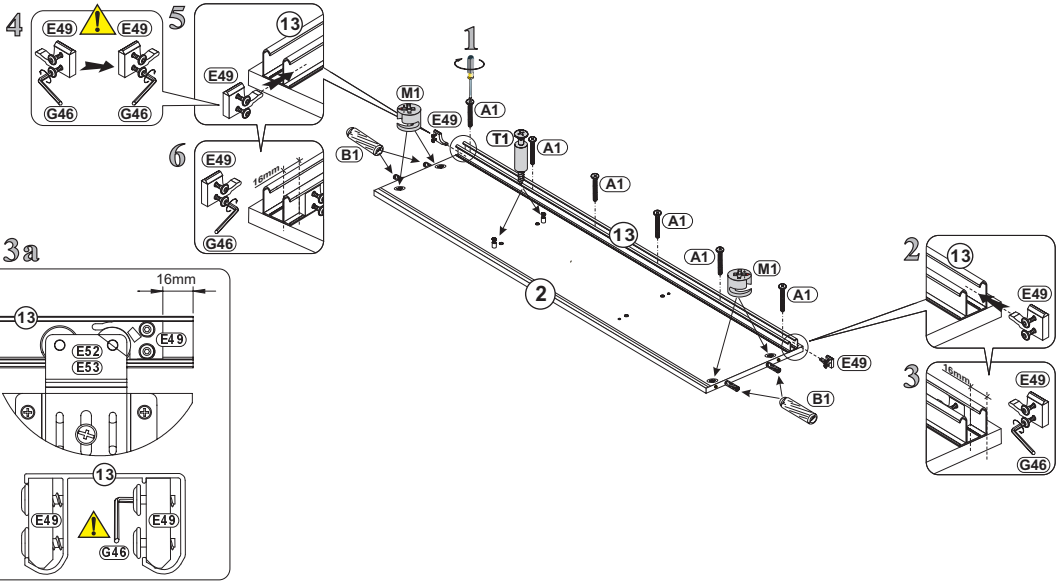





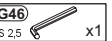

4





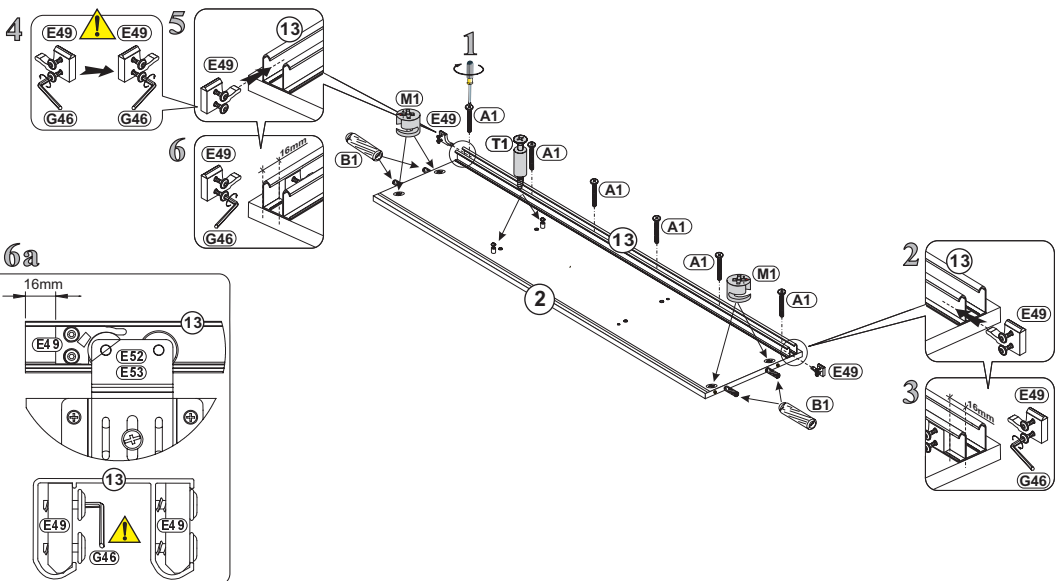
5a  x2  \varnothing 8x28 x4  x2  \varnothing 2,5 s 2,5 x1 option "c" 

 x4  M4x20 x6



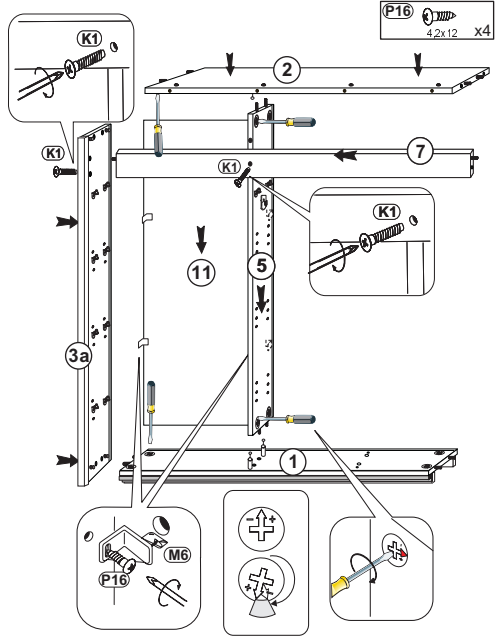
5b  x2  \varnothing 8x28 x4  x2  \varnothing 2,5 s 2,5 x1 option "d" 

 x4  M4x20 x6



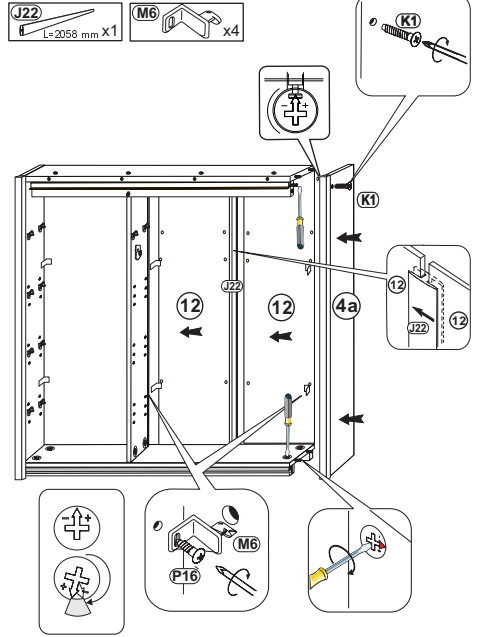
6 option "a" ⚠️

- K1 7x50 x2
- M6 x4
- P16 4.2x12 x4



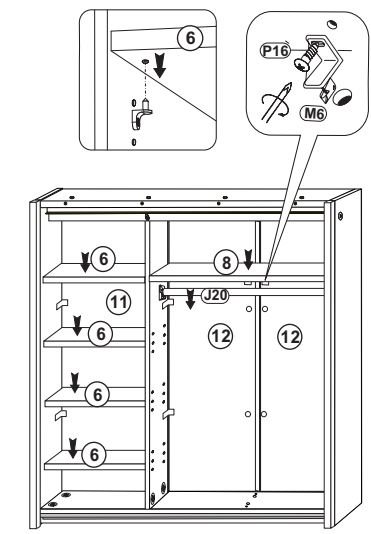
7

- K1 7x50 x1
- P16 4.2x12 x4
- J22 L=2058 mm x1
- M6 x4



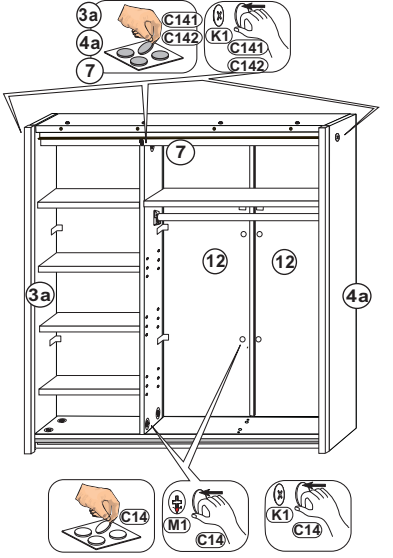
8

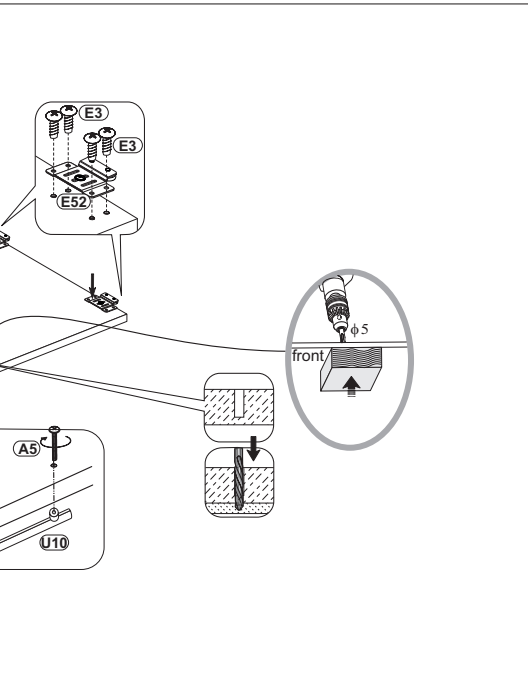
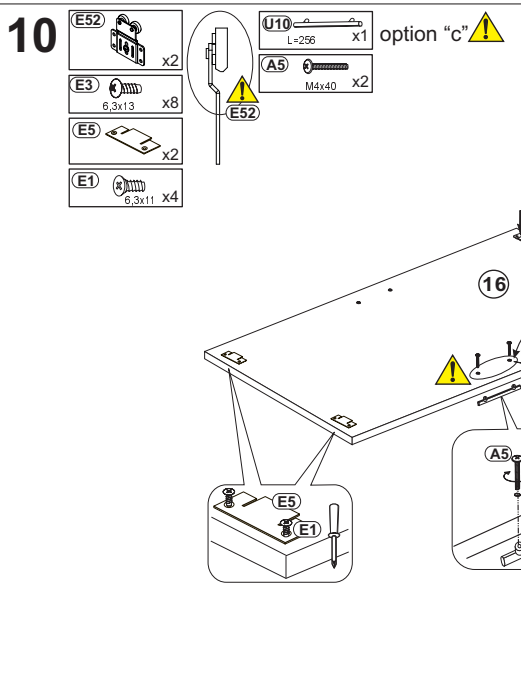
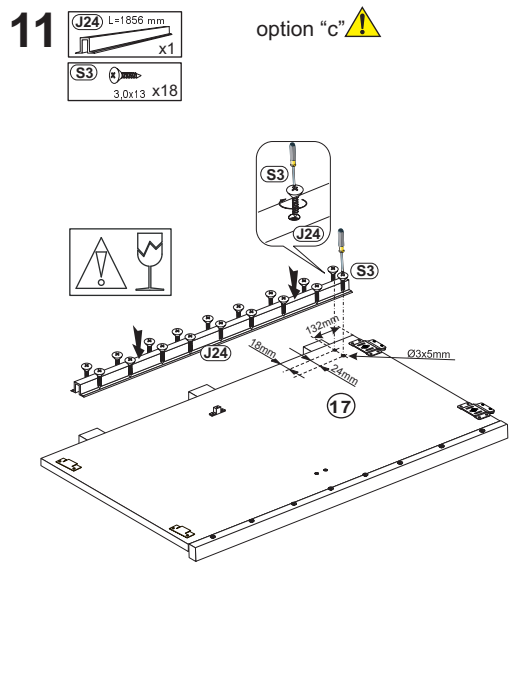
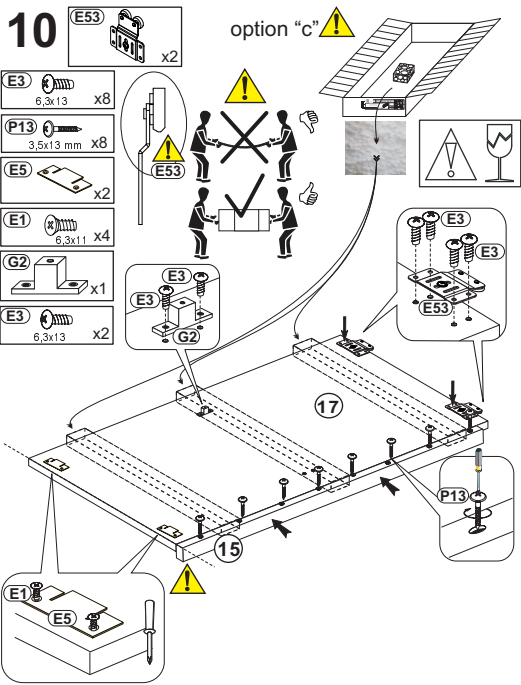
- P16 4.2x12 x2
- J20 L=966 mm x1
- M6 x2




9

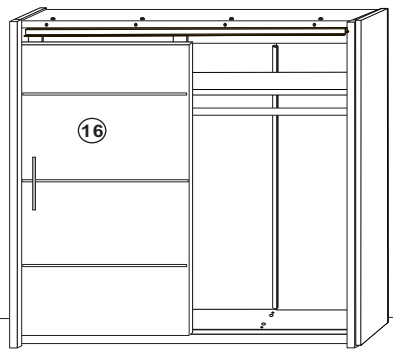
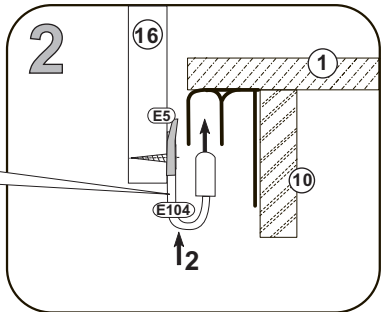
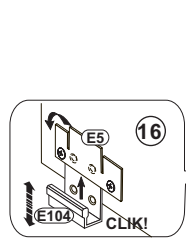
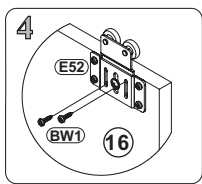
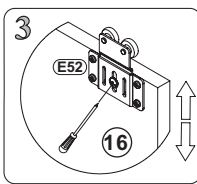
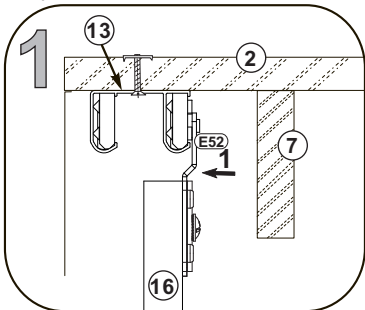
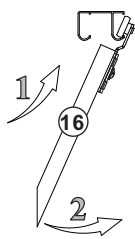
- 8XDS44 15 C14 620mm x18
- 8XRU44 15 C14 620mm x21
- 8XLG44 15 C14 620mm x18
- C141 620mm x3
- 8XDS44 25 C142 620mm x3
- 8XLG44 25 C142 620mm x3





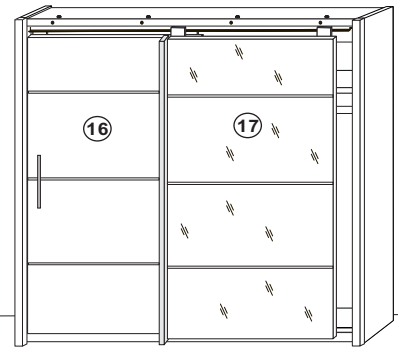
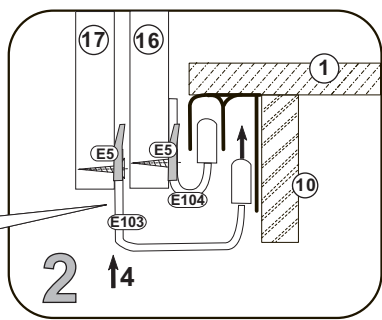
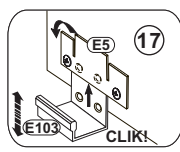
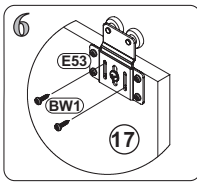
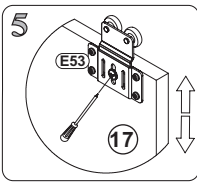
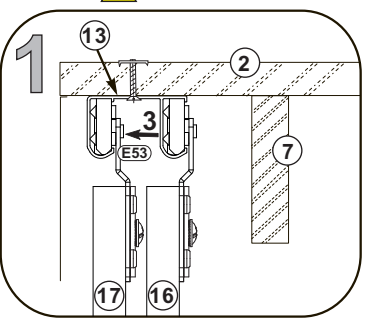
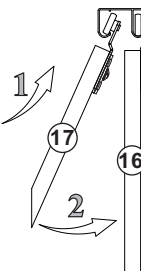
- 11**
- E104 x2
 - BW1 4x16 X4

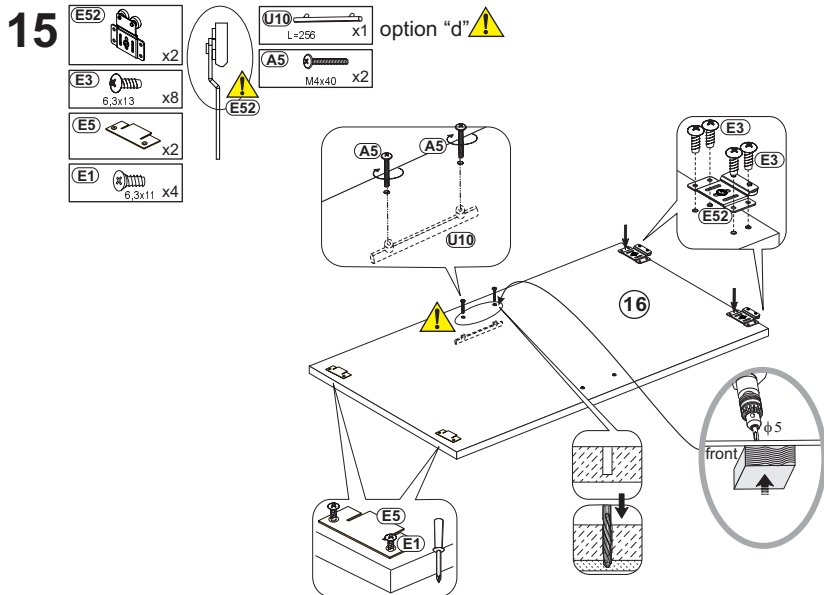
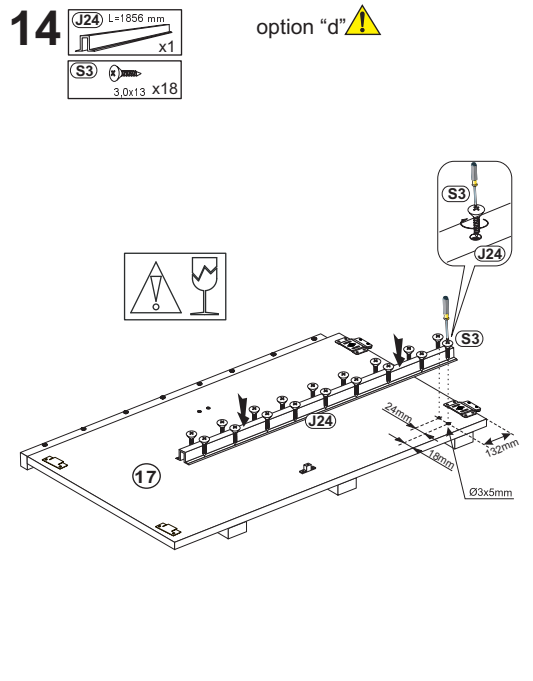
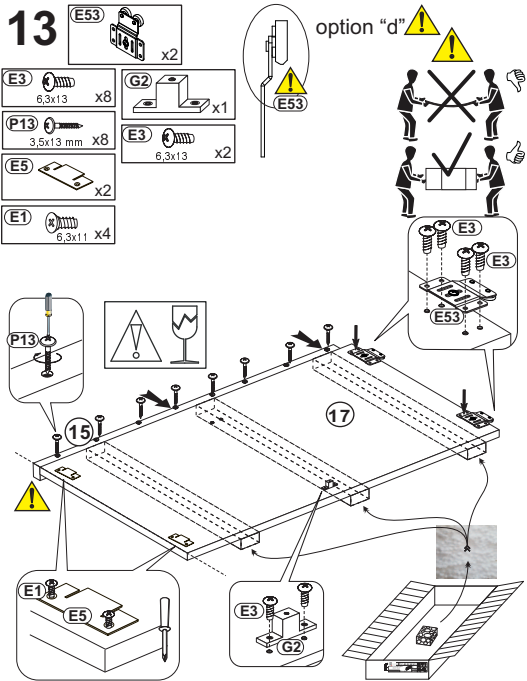
option "c" 

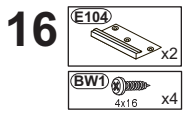


- 12**
- E103 x2
 - BW1 4x16 X4

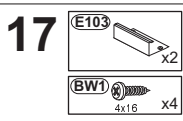
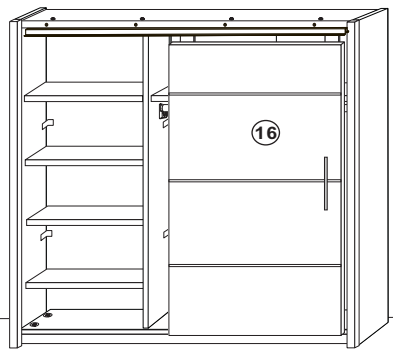
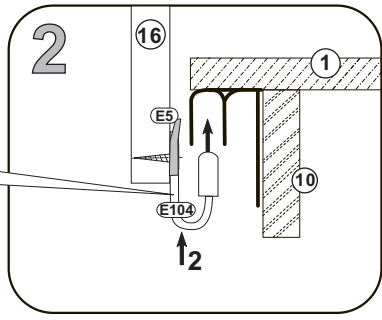
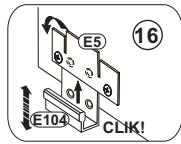
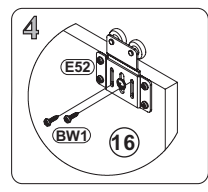
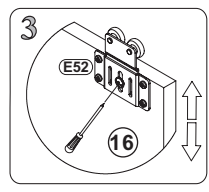
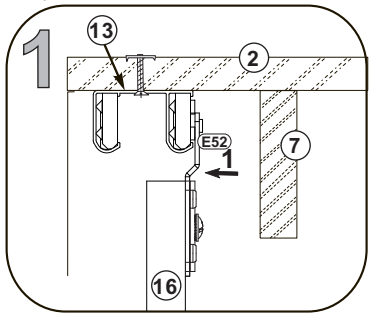
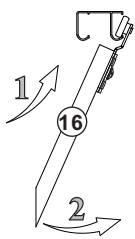




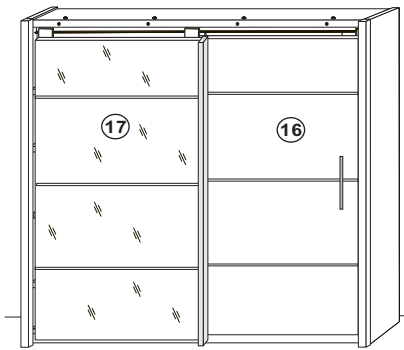
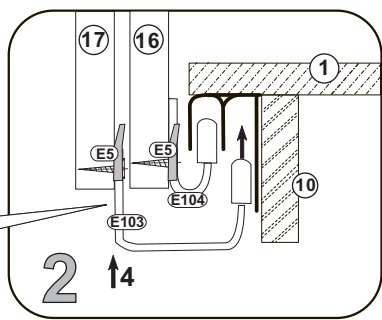
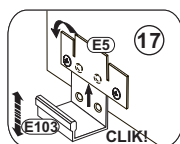
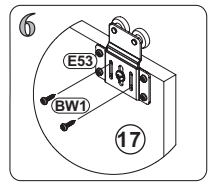
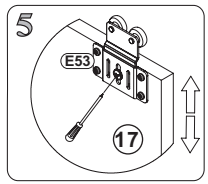
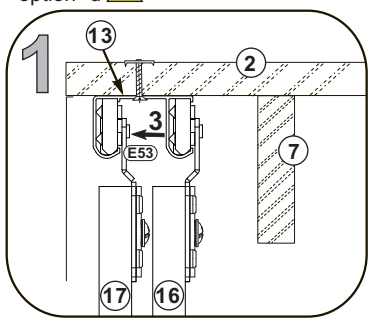
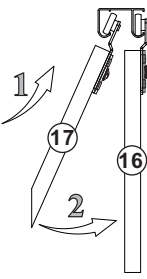




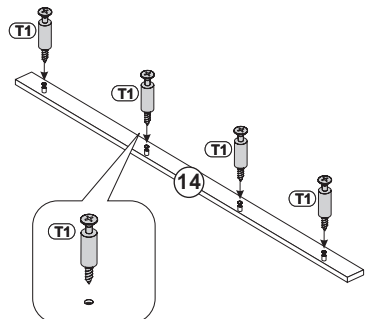
option "d"



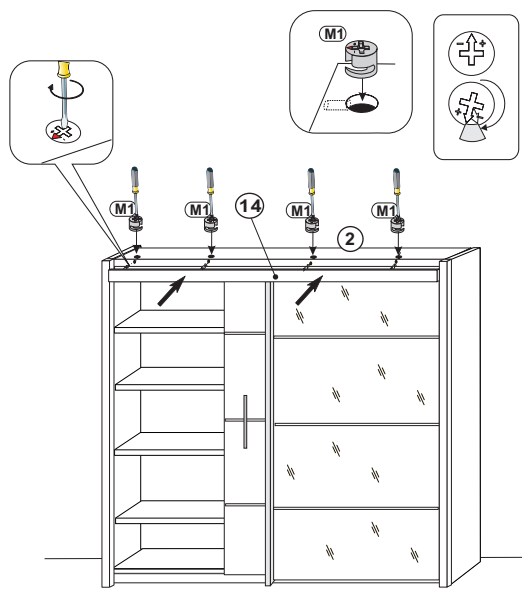
option "d"






18  x4



19  x4



20  x3
 x2
 3,5x13 mm x4

