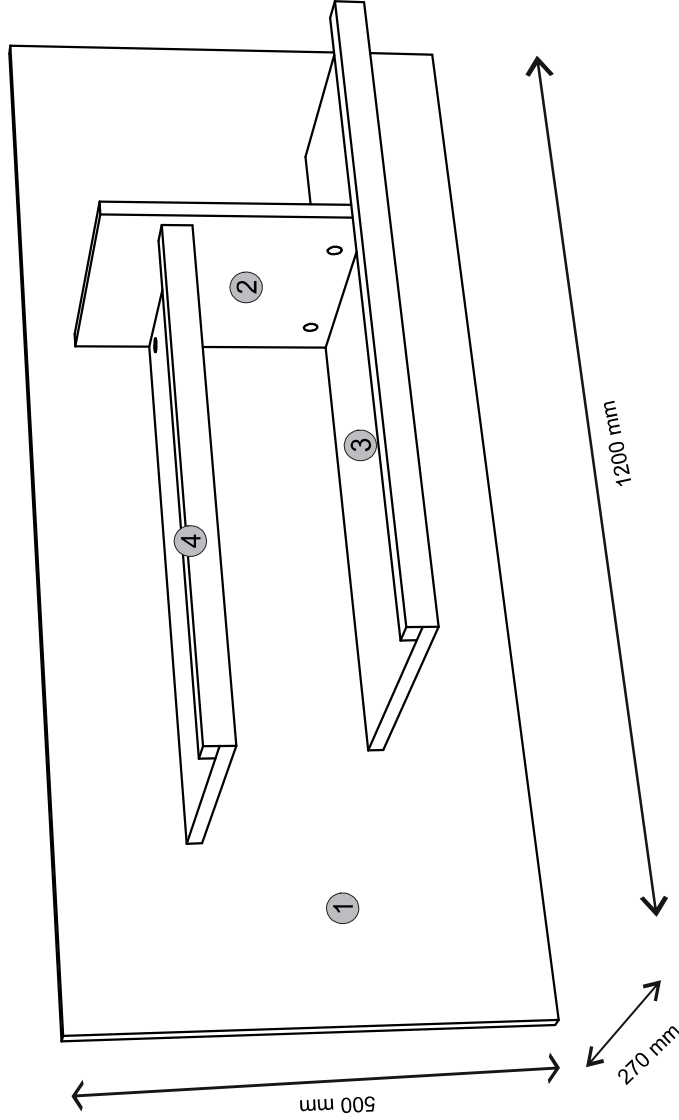
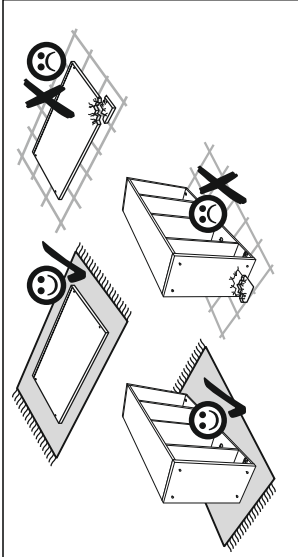
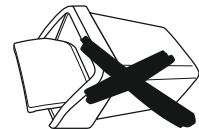
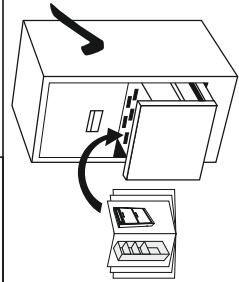
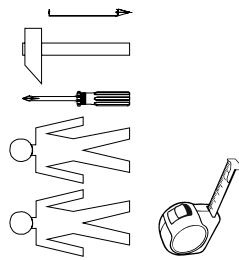
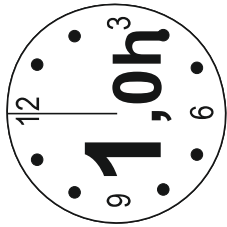
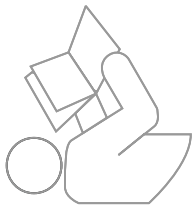


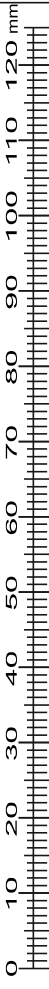
Installation manual

NORTON: PAN_120

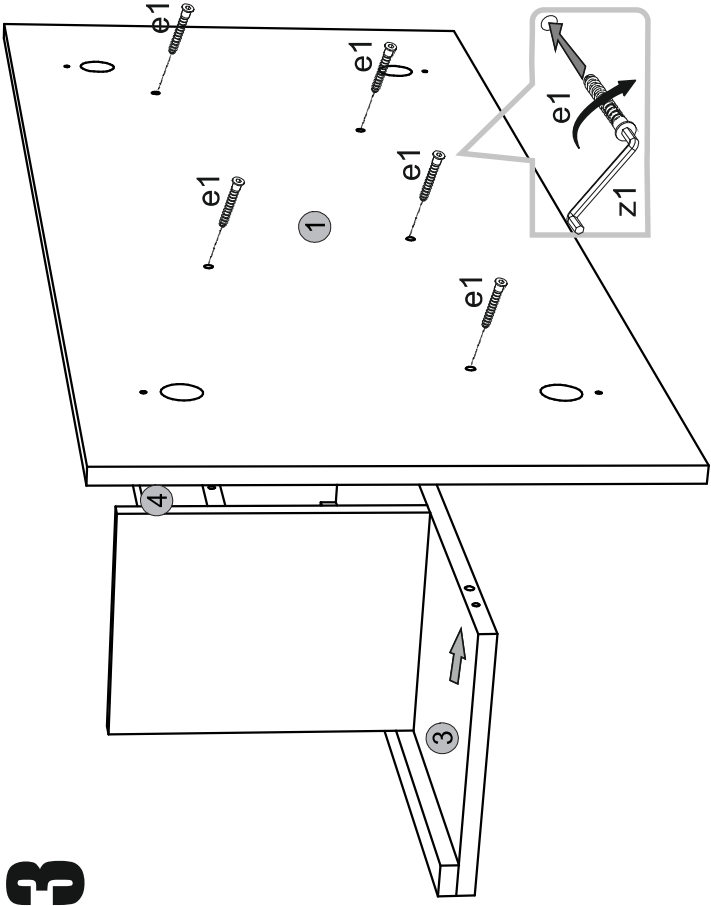


Element symbol	Dimensions		Code	Package
1	500	1200	1 K-103	1/1
2	280	219	1 K-104	1/1
3	750	250	16/32	1/1
4	592	200	16/32	1/1

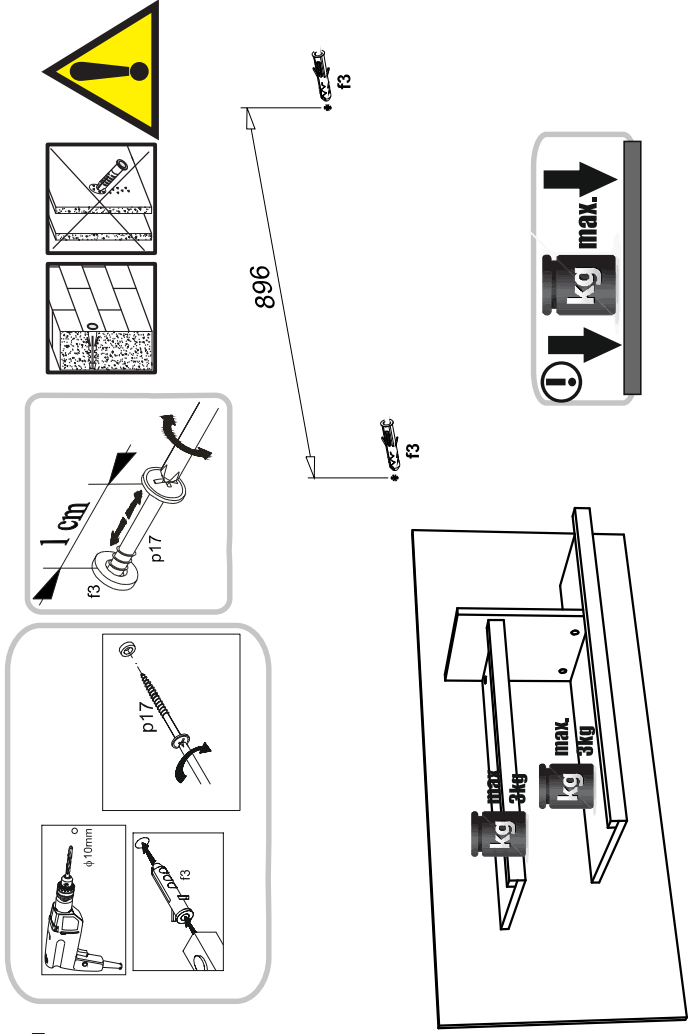
4x ø16	1x s2	2x ø3x60 mm	2x p17	2x ø3x50 mm	f3
2x	4x g2	2x ø6x13 mm	5x e3	5x s1	
5x ø7x50 mm	4x e1	4x ø6x9 mm	4x r16	12x ø8x50 mm	f1



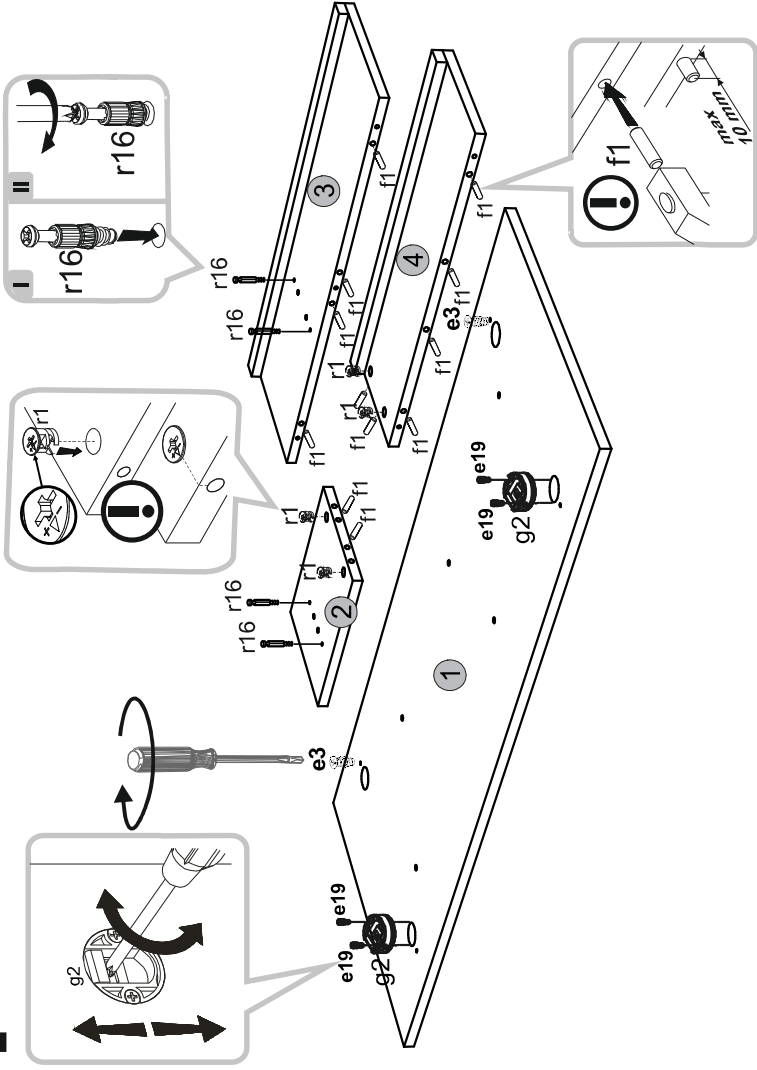
3



4



1



2

