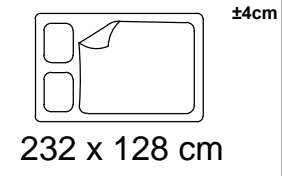
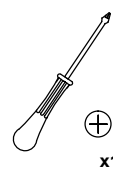
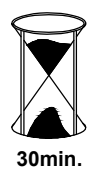
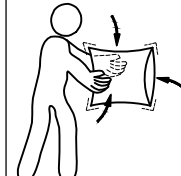
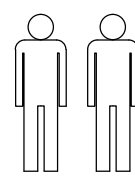
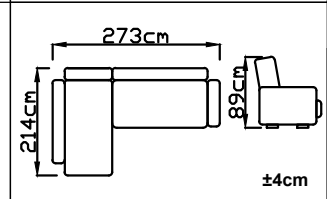
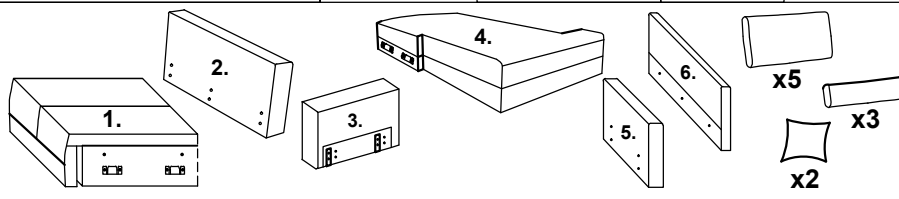


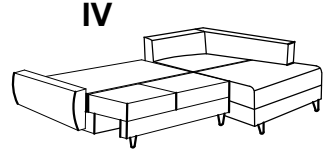
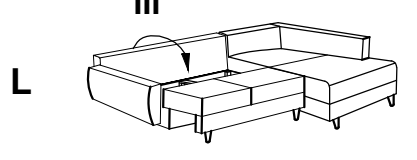
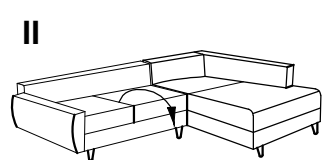
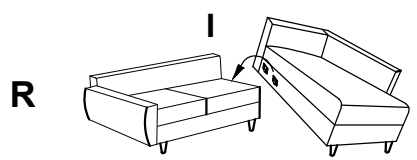
2024-12-06



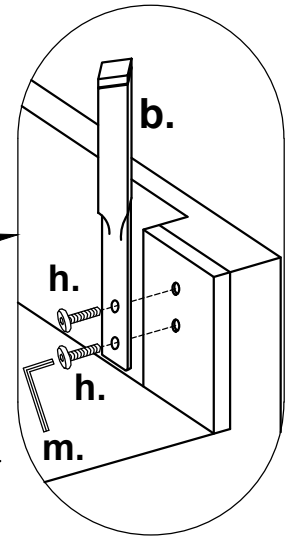
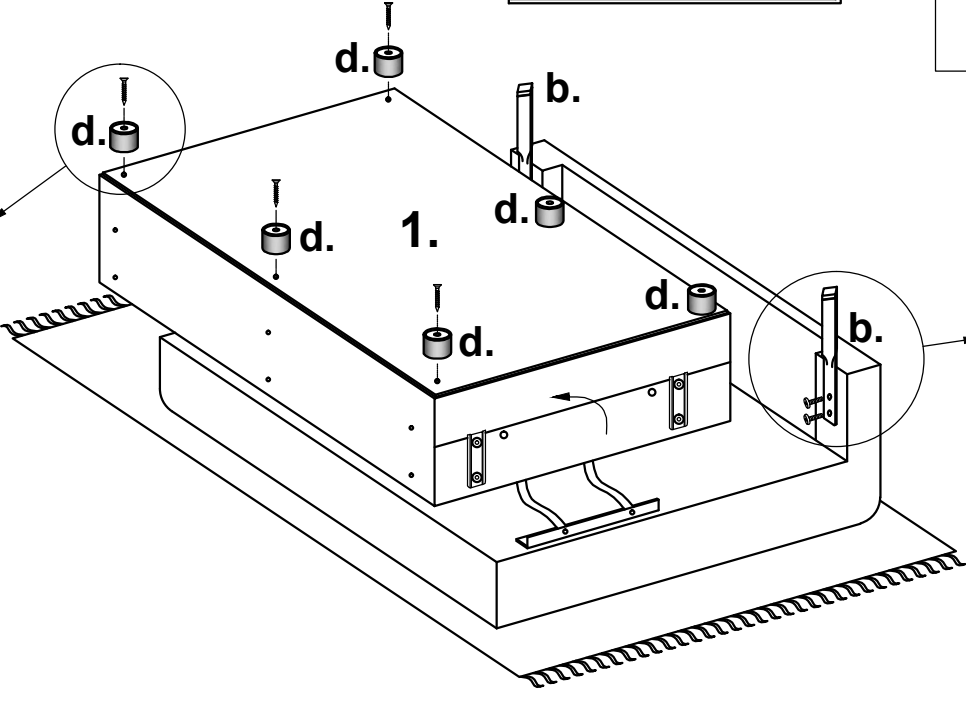
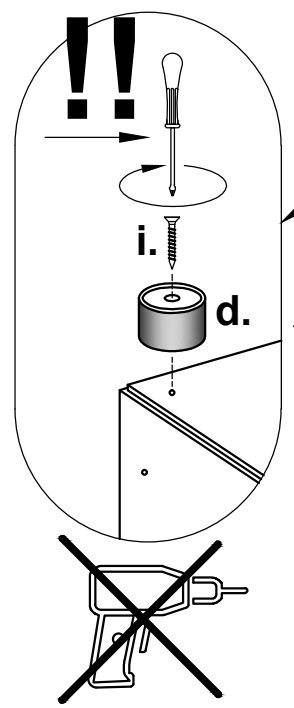
MODEST corner



a. x 3 h=120 MON00898	b. x 3 h=220 MON00925	c. x 3 h=120 M8 MON00899	d. x 6 ø50x30 MON00735	e. x 3 MM00015
f. x 3 M8x55 MME00209	g. x 6 M6x45 MME00224	h. x 18 M6x20 MME00189	i. x 12 4,5x40 MME00076	j. x 6 ø50x3 MME00082
k. x 3 ø8 MME00017	l. x 1 "5" MIW00006	m. x 1 "4" MIW00062	n. x 2 ø50x70 MON00688	o. x 2 5,0x60 MME00287
				p. x 2 h=120 M6 MM00015



I		R
		L
b. x 2	220	
d. x 6	ø50x30	
h. x 4	M6x20	
i. x 6	4,5x40	
m. x 1	"4"	

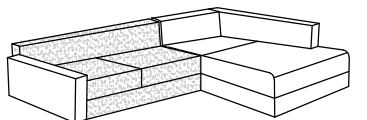




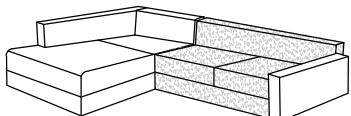
2024-12-06

MODEST corner

II



R

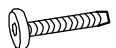


L

e. x 3



g. x 6

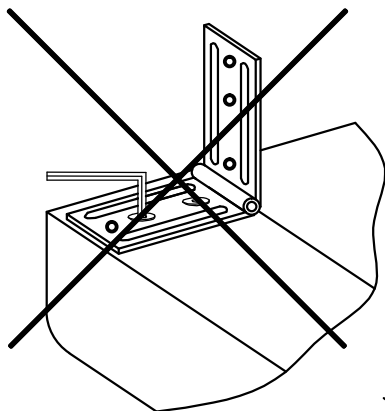


M6x45

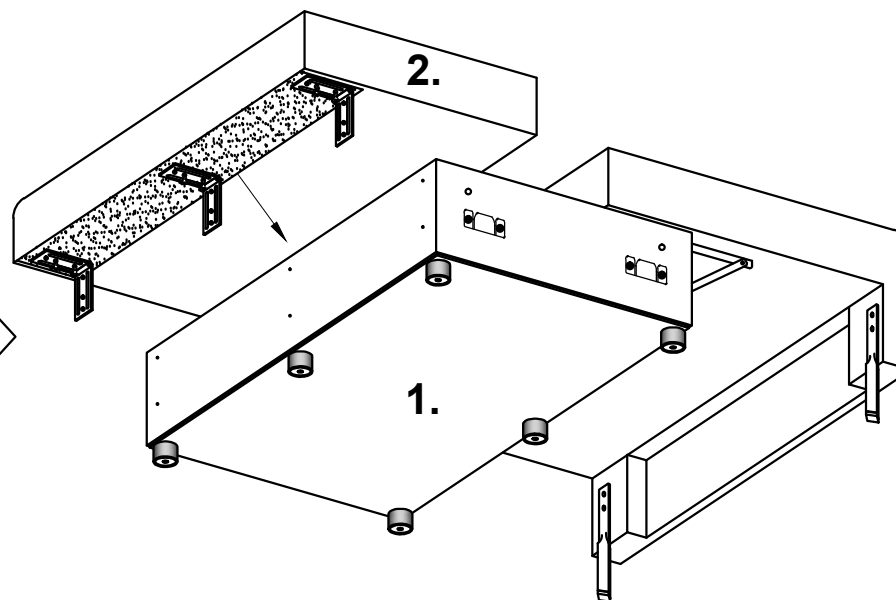
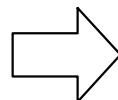
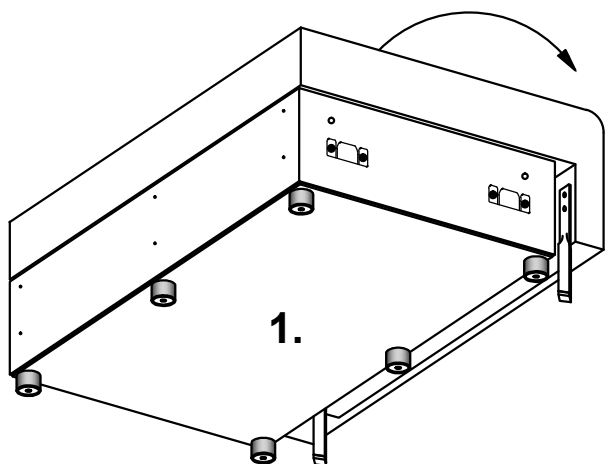
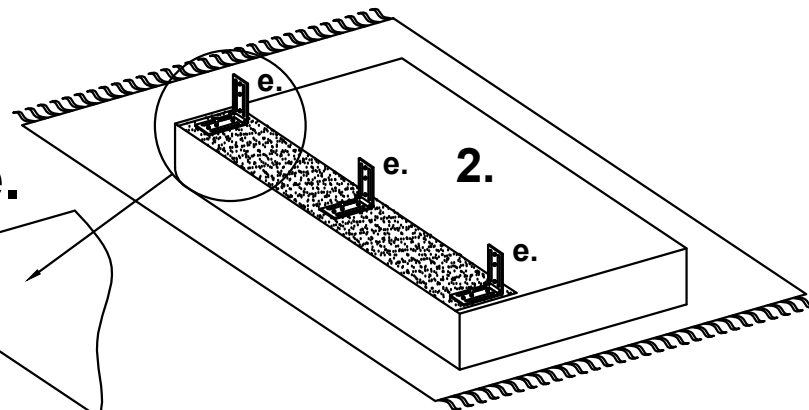
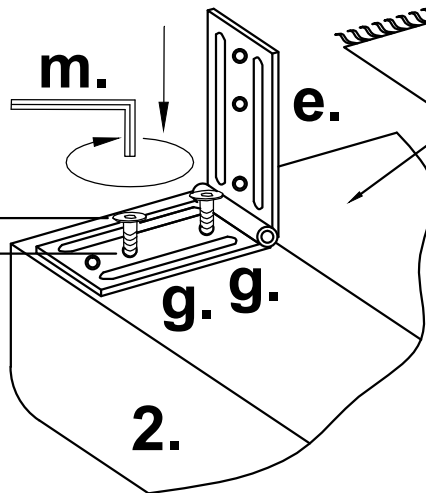
m. x 1



"4"



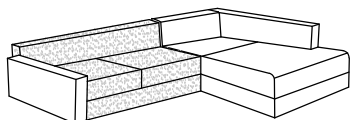
1/2 cm



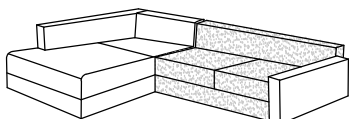
2024-12-06

MODEST corner

III

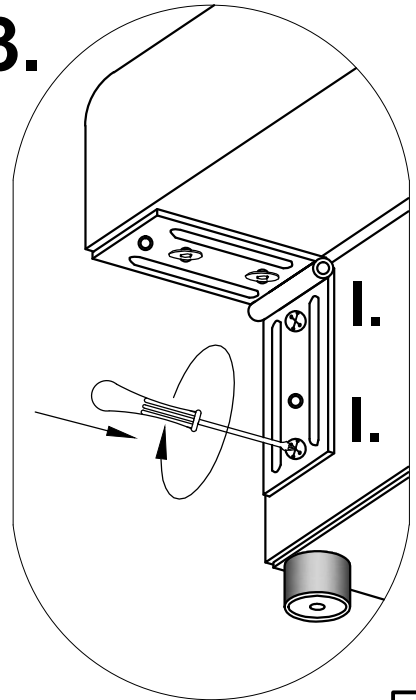
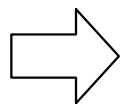
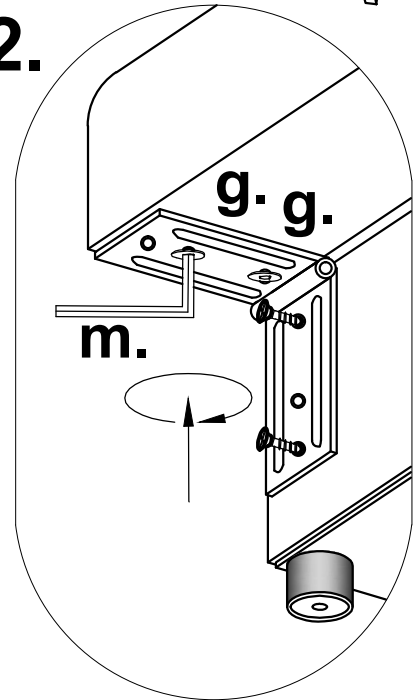
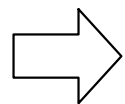
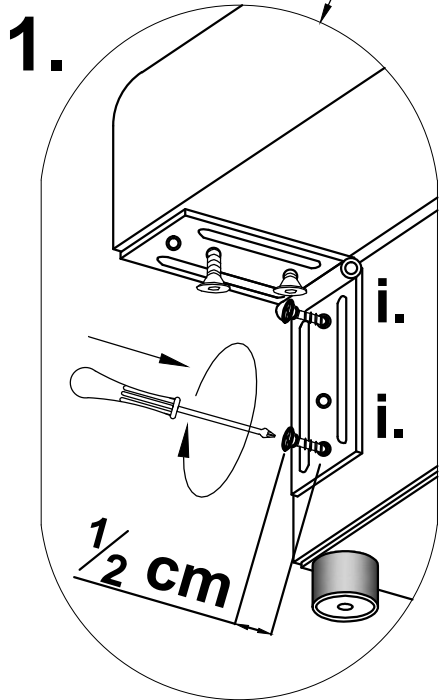
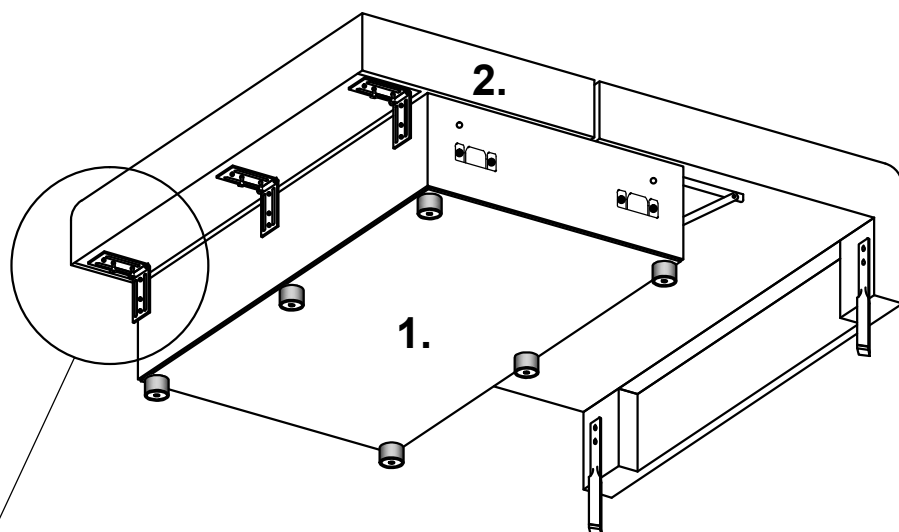
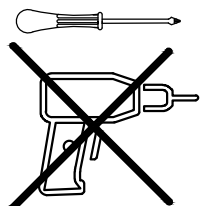


R



L

i. x 6  4,5x40

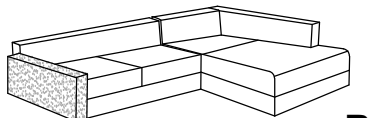




2024-12-06

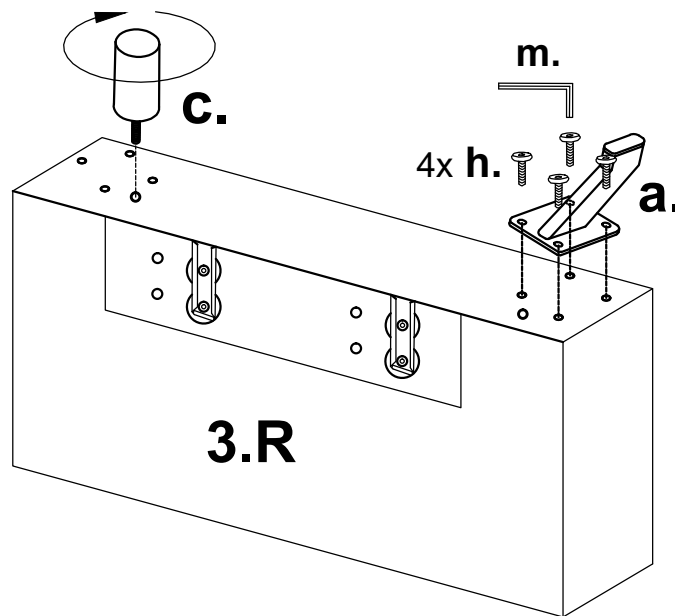
MODEST corner

IV

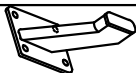


R

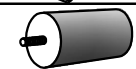
R



a. x 1 h=120



c. x 1 h=120



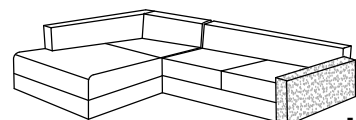
h. x 4 M6x20



m. x 1 "4"

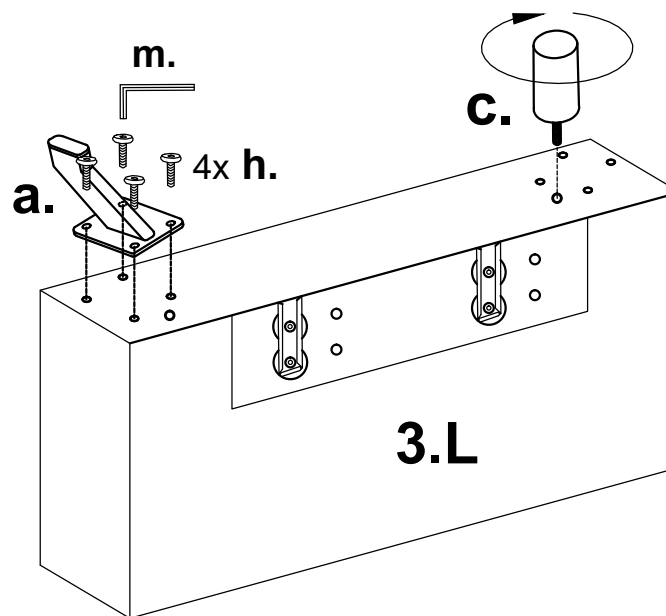


M8



L

L

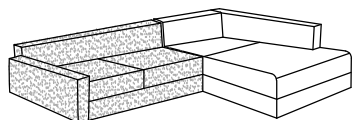




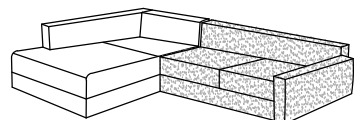
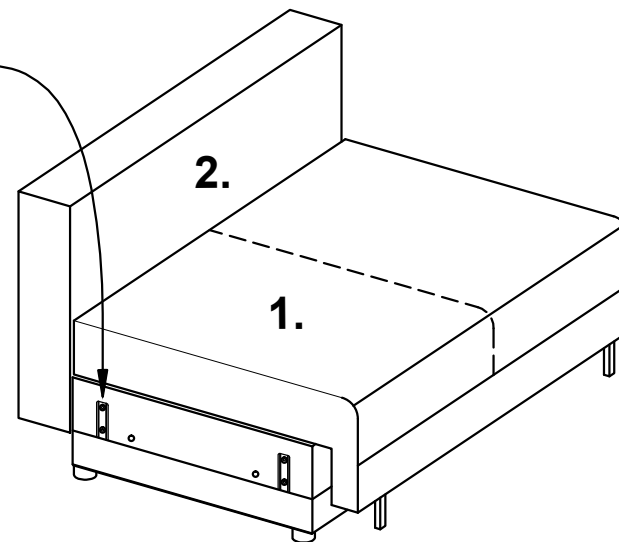
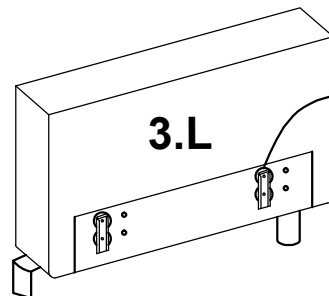
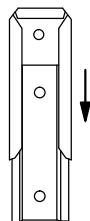
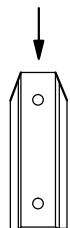
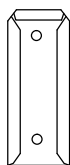
2024-12-06

MODEST corner

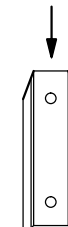
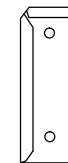
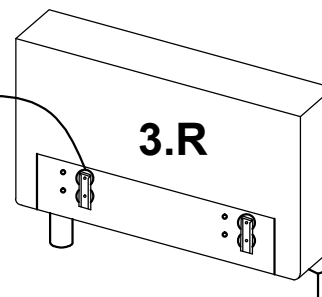
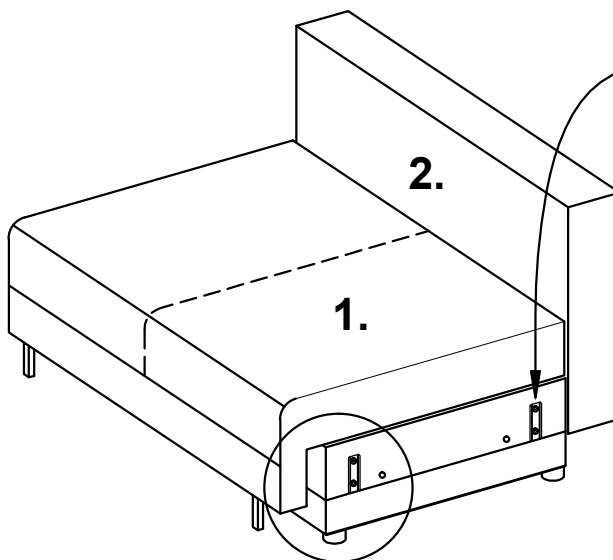
V



R



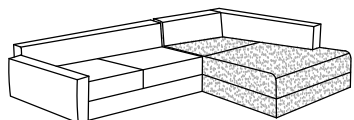
L



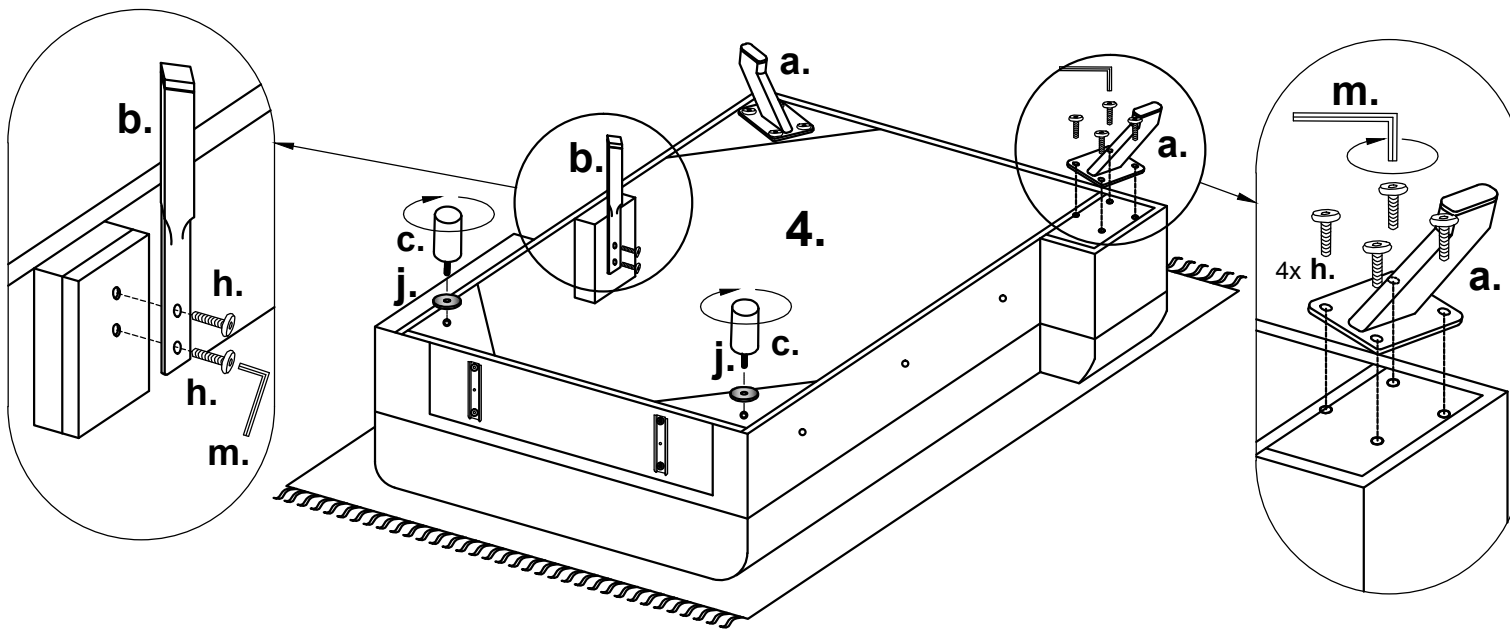
2024-12-06

MODEST corner

VI



R



a. x 2 h=120

b. x 1 220

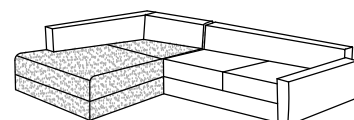
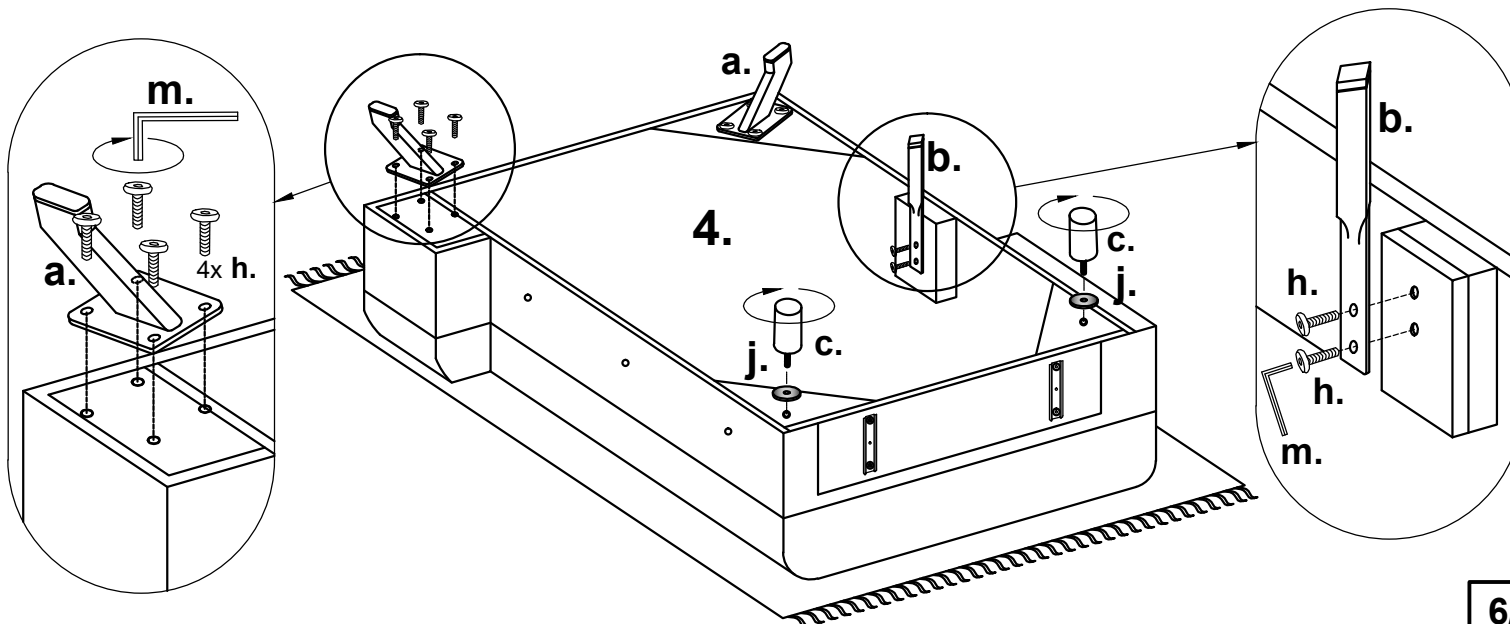
c. x 2 120

h. x 10 M6x20

m. x 1 "4"

j. x 2 $\varnothing 50 \times 3$

M8



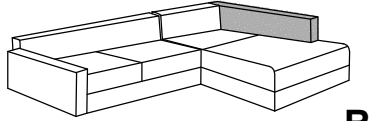
L



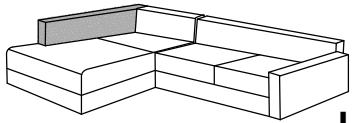
2024-12-06

MODEST corner

VII



R

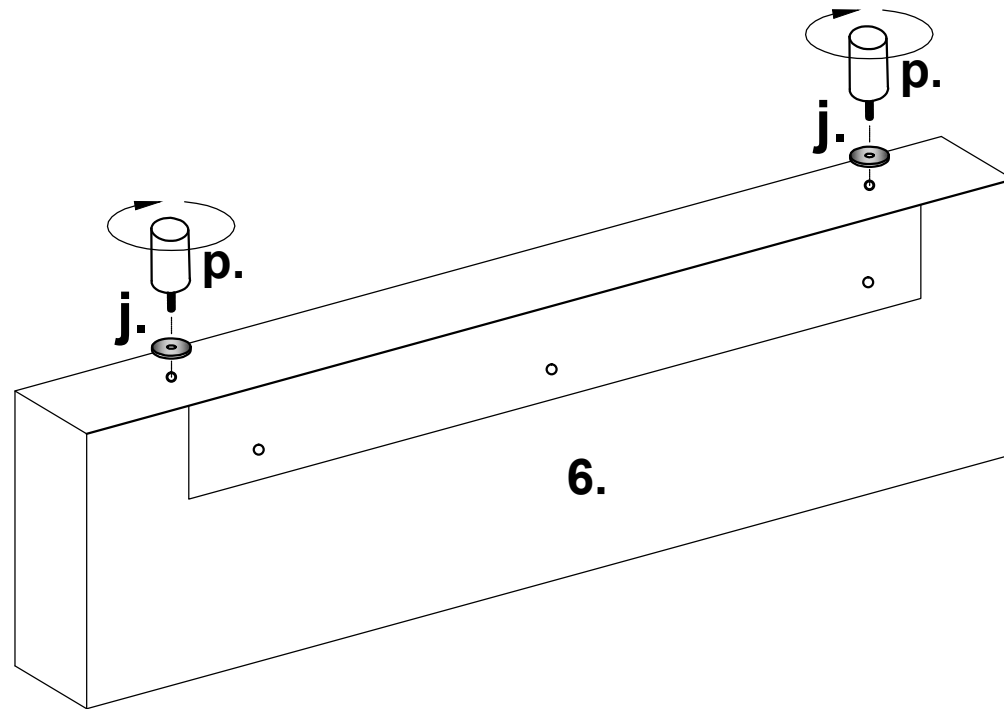


L

M6

p. x 2  h=120

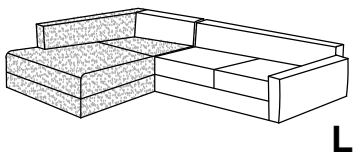
j. x 2  $\varnothing 50 \times 3$



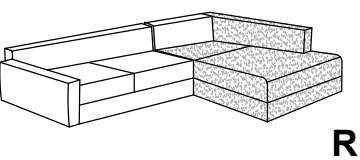
2024-12-06

MODEST corner

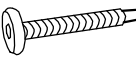
VIII



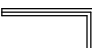
L

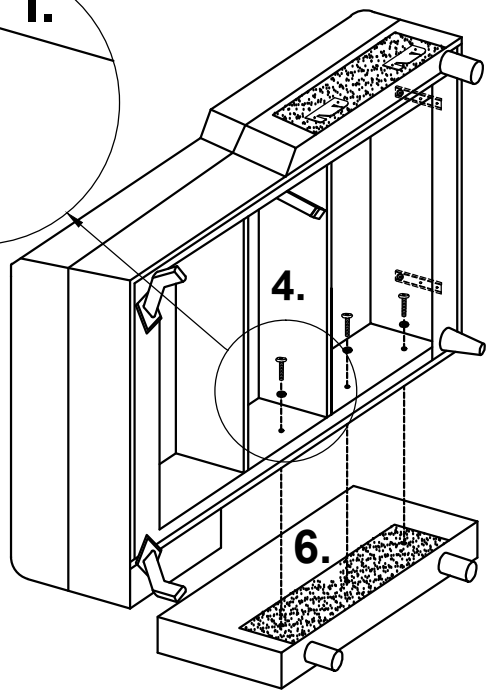
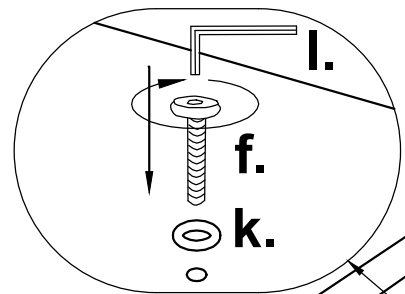


R

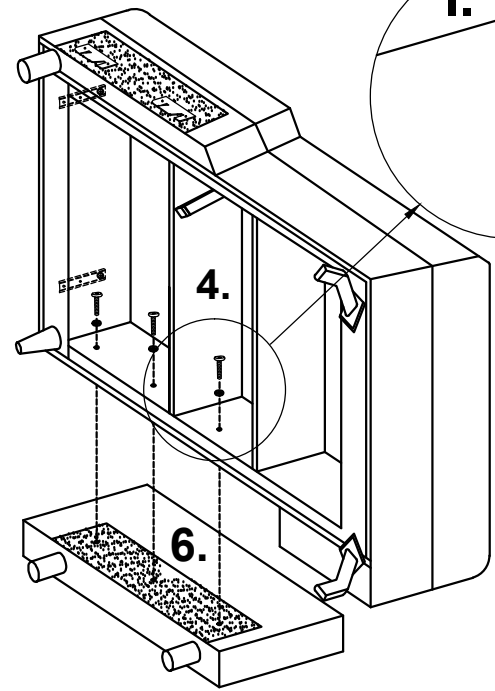
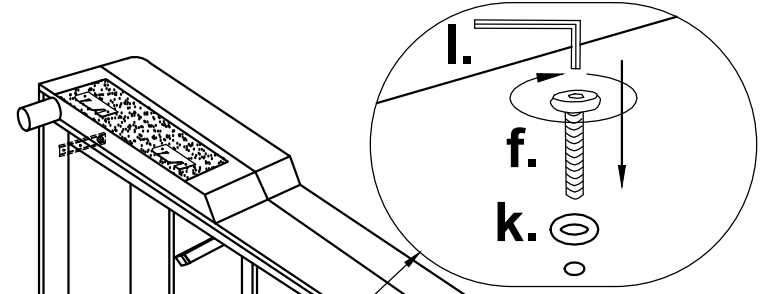
f. x 3  M8x55

k. x 3  Ø8

l. x 1  "5"

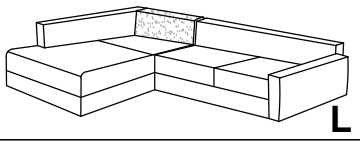


L

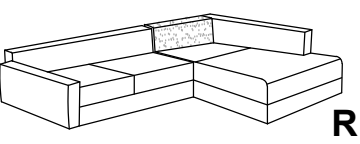


R

IX




L

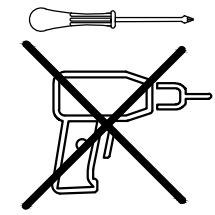
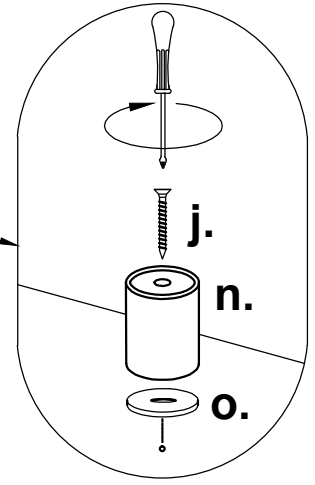
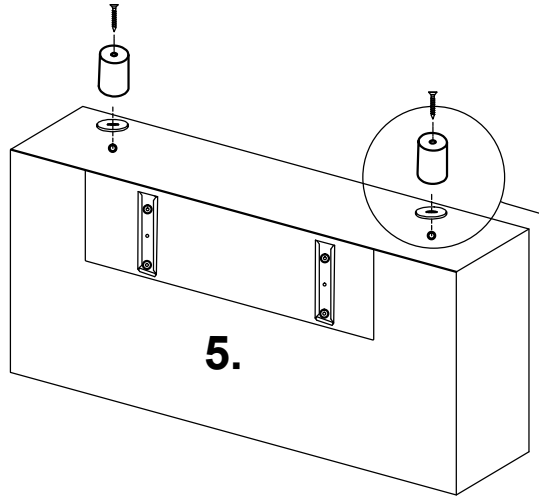


R

n. x 2  Ø50x70

j. x 2  Ø50x3

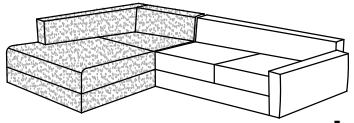
o. x 2  5x60



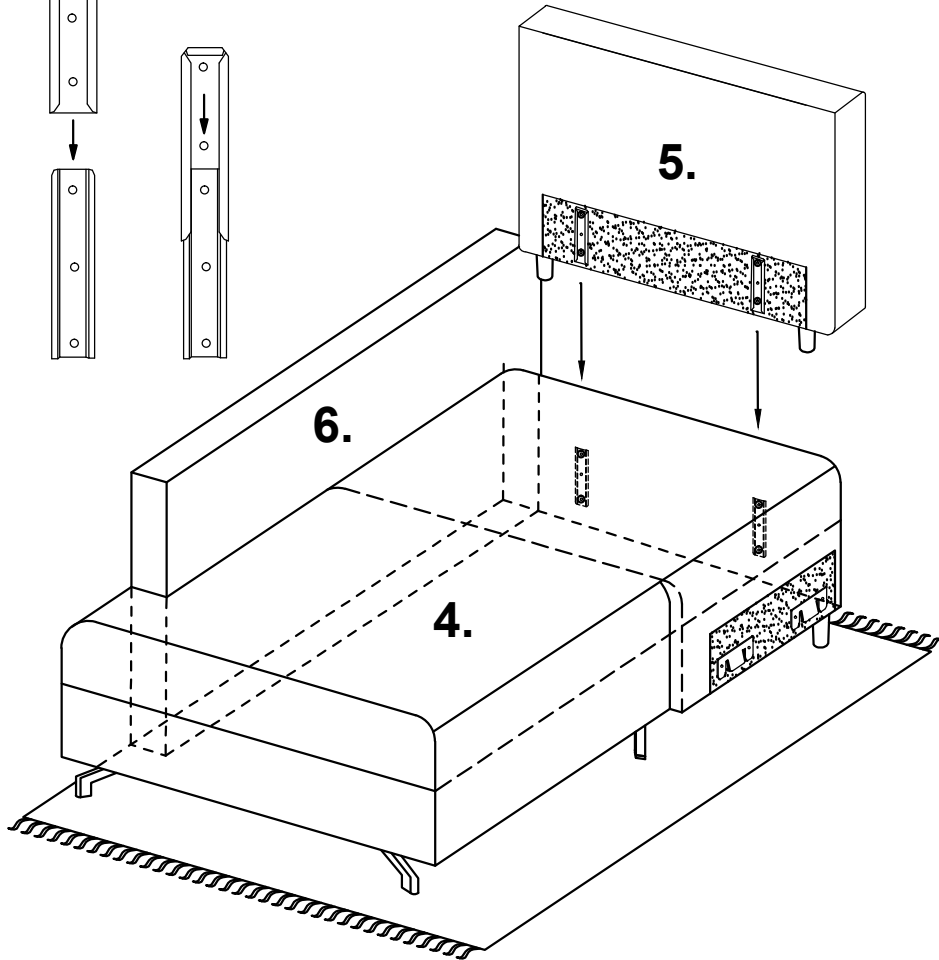
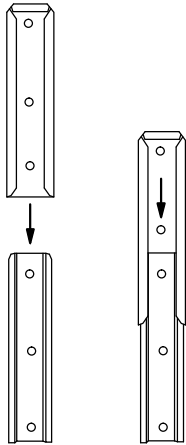
2024-12-06

MODEST corner

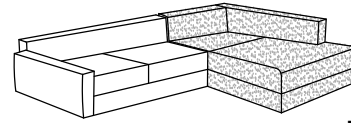
X



L



X



R

