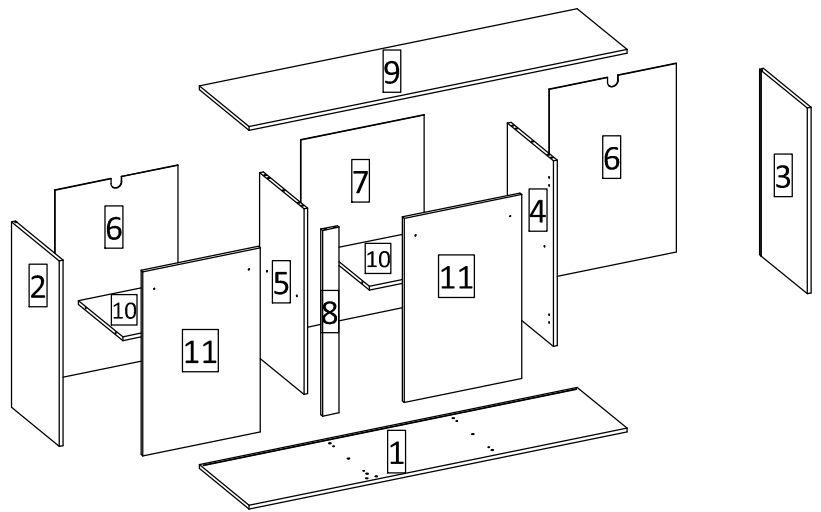
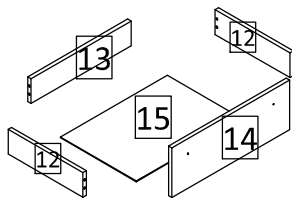
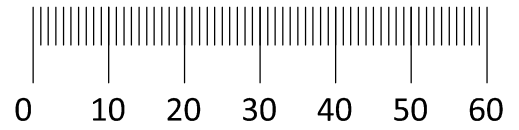
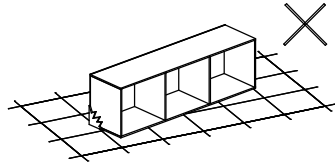
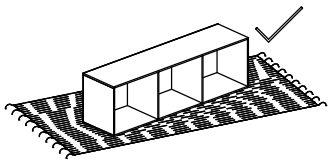
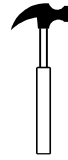




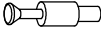
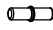








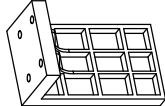
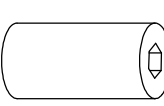

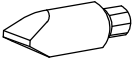

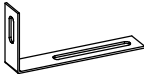

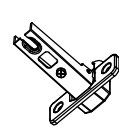

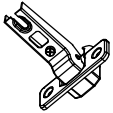
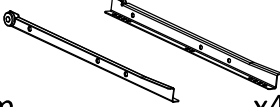
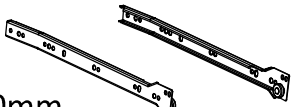
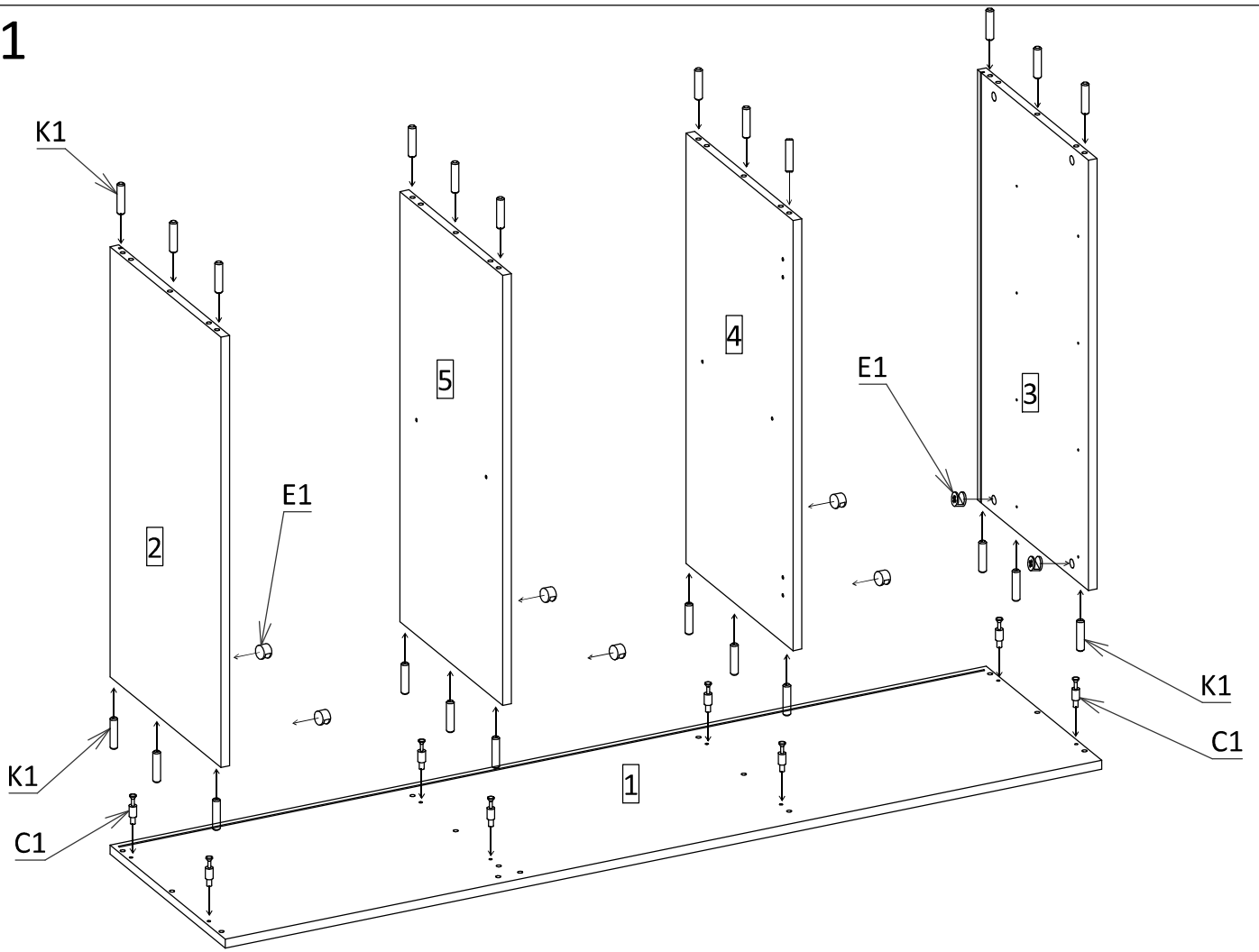


MADERA III

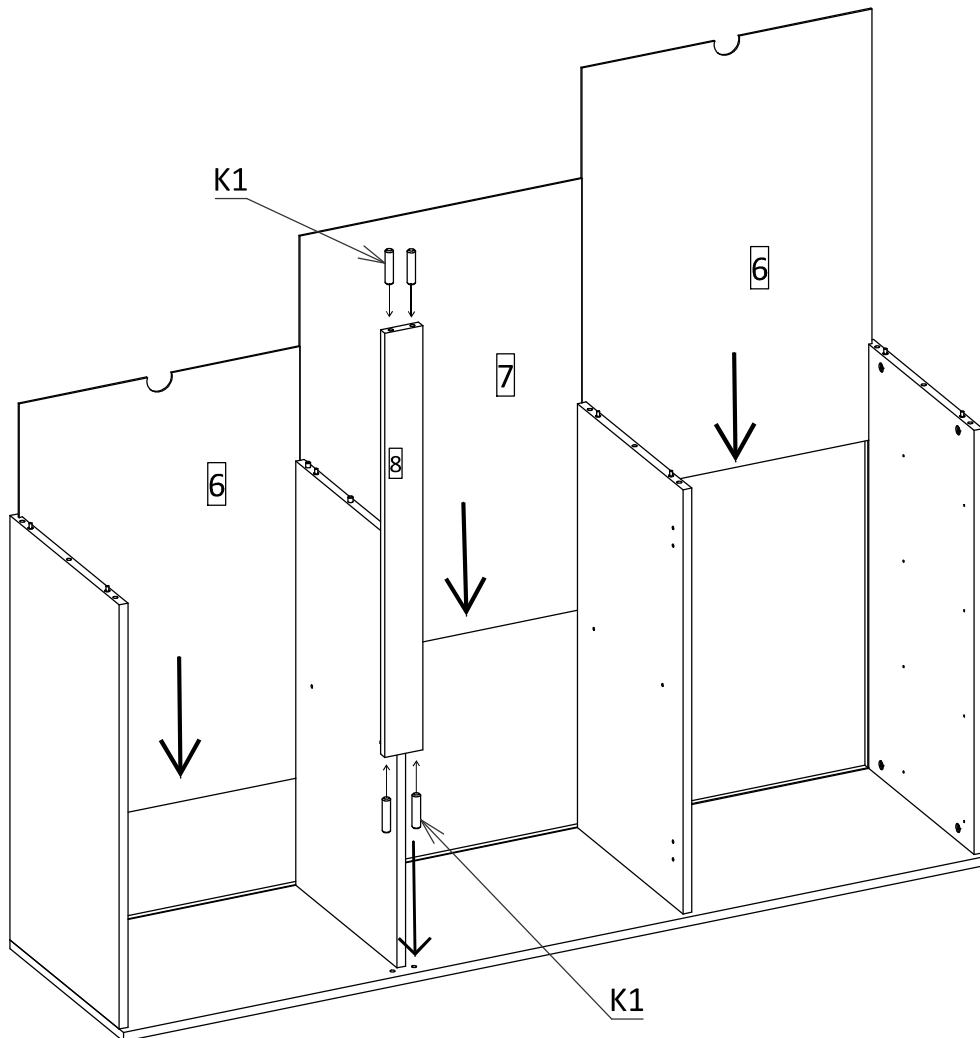


F  x2	D5  3_5x30 x2			
K1  8 35 x60	E1  x16	C1  x16	B1  x8	J  x10
O  x74	G1  2 x 20 x74	D2  3,5 x16 x32	D3  4 x25 x16	D1  4 x16 x4
D4  3 x 20 x16	S1  M4 x 35 x12	N  x4	M  x4	U1  x6
P  x2	H  x16	A  x2	Z  x1	W2  x2
W1  x4	W3  x2	H1  350mm x4	H2  350mm x4	

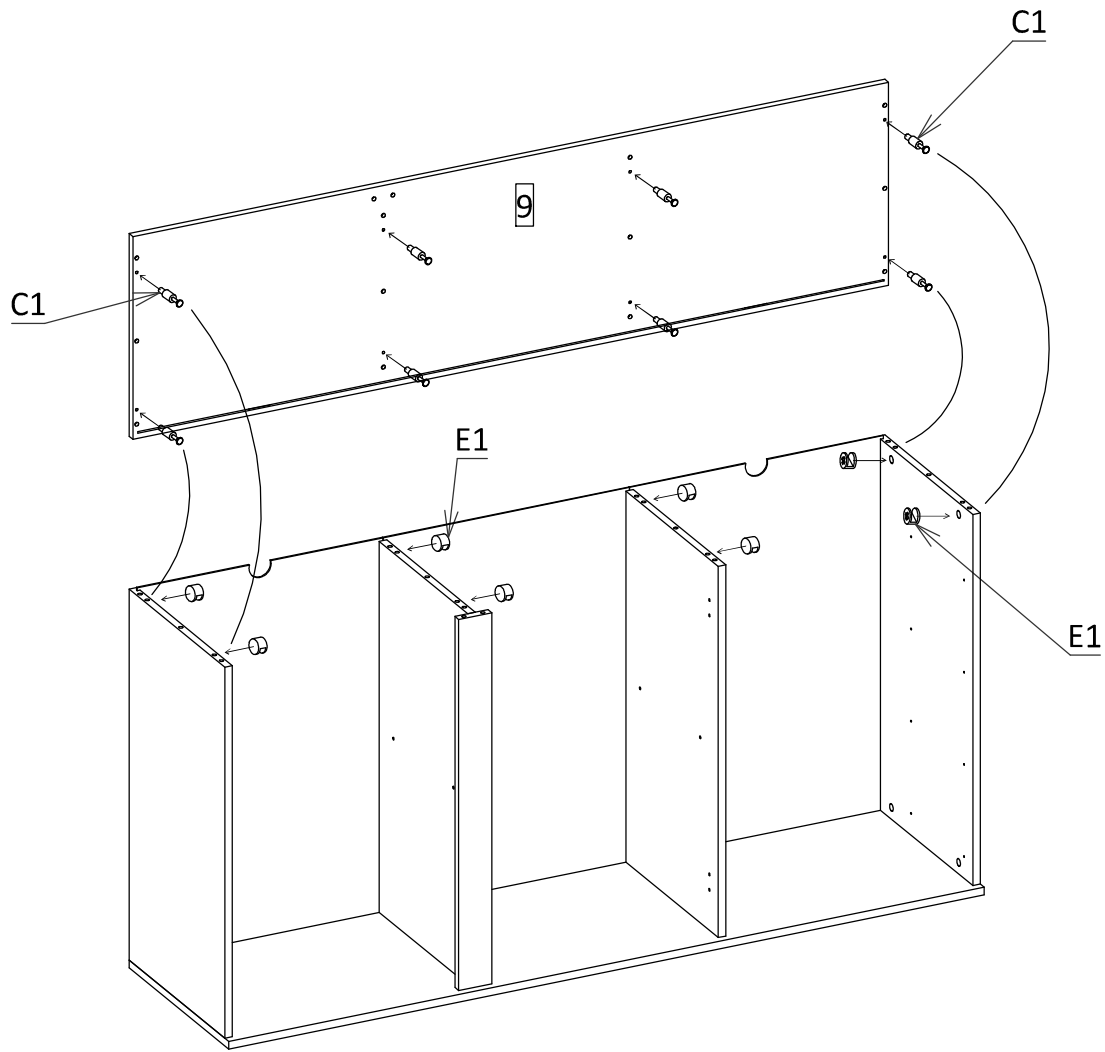
1



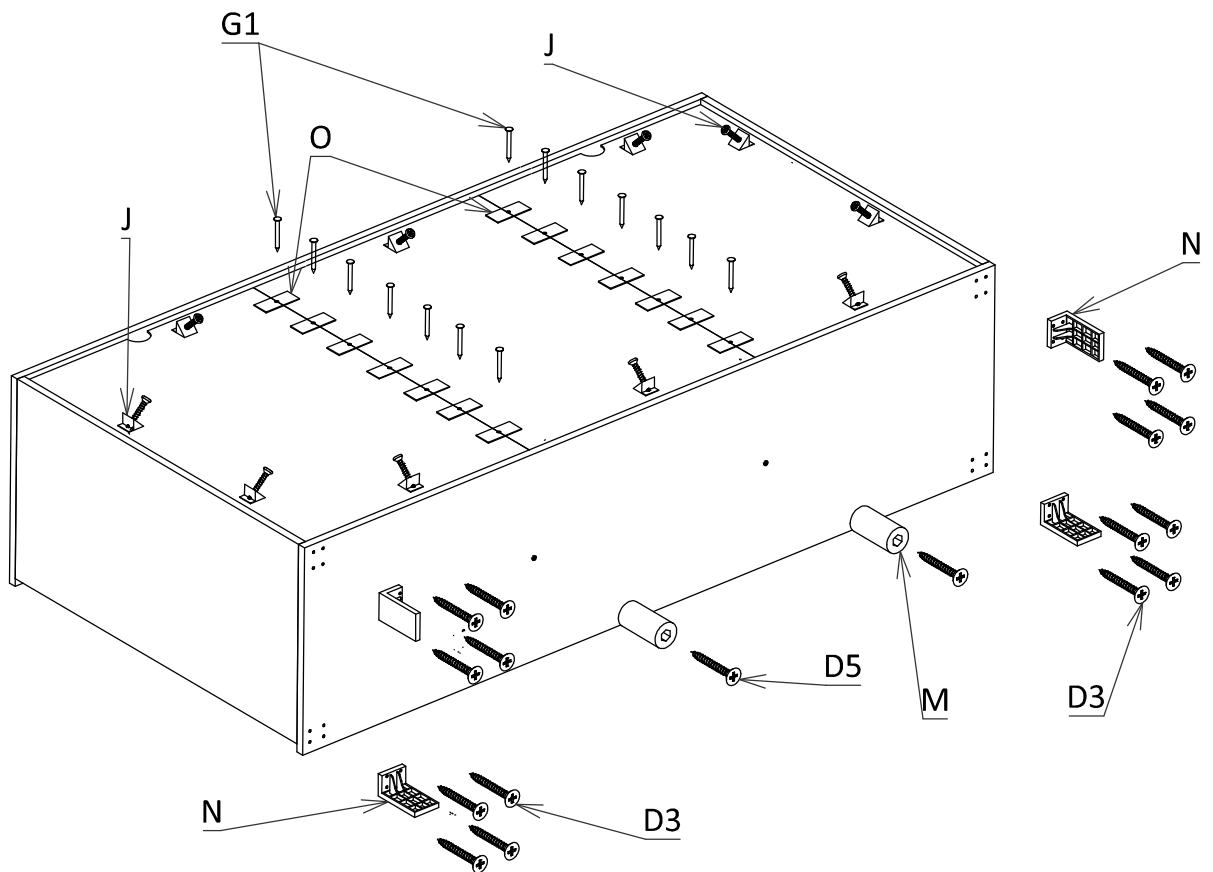
2

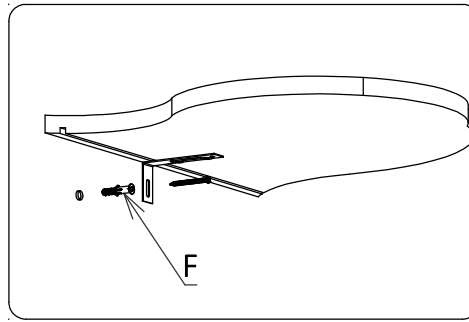
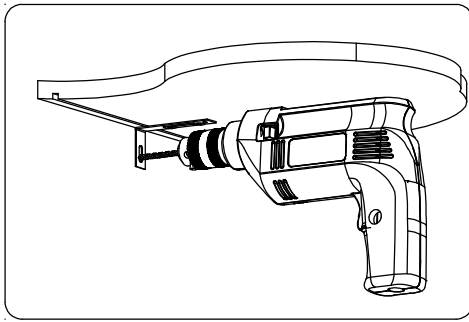
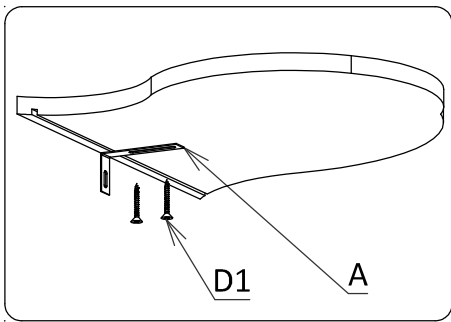


3

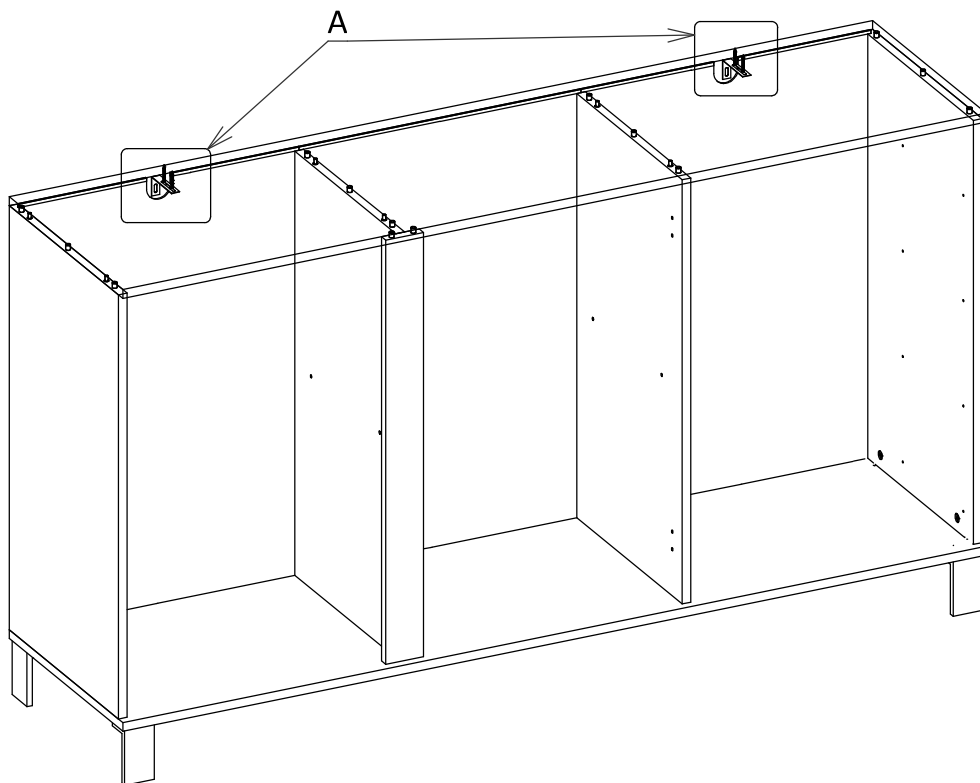


4

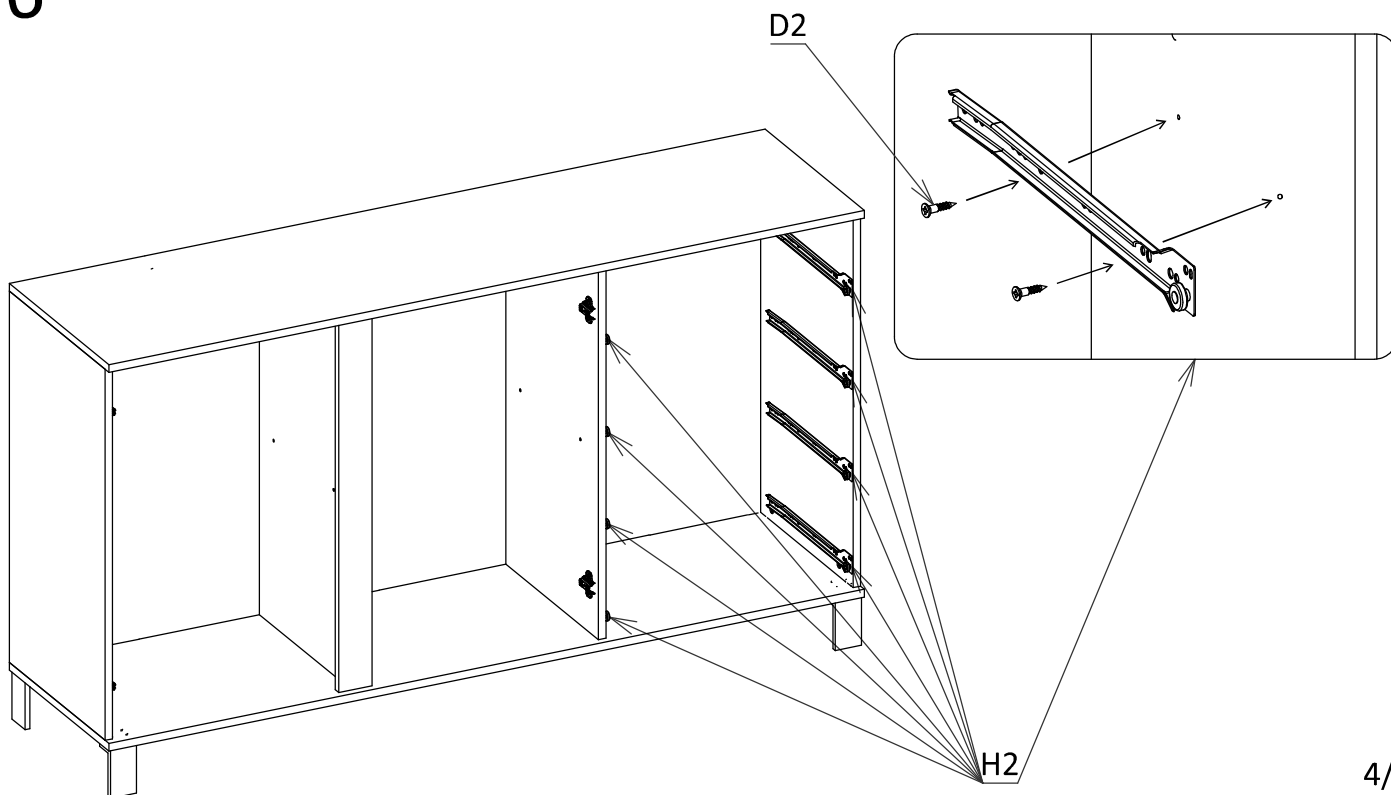




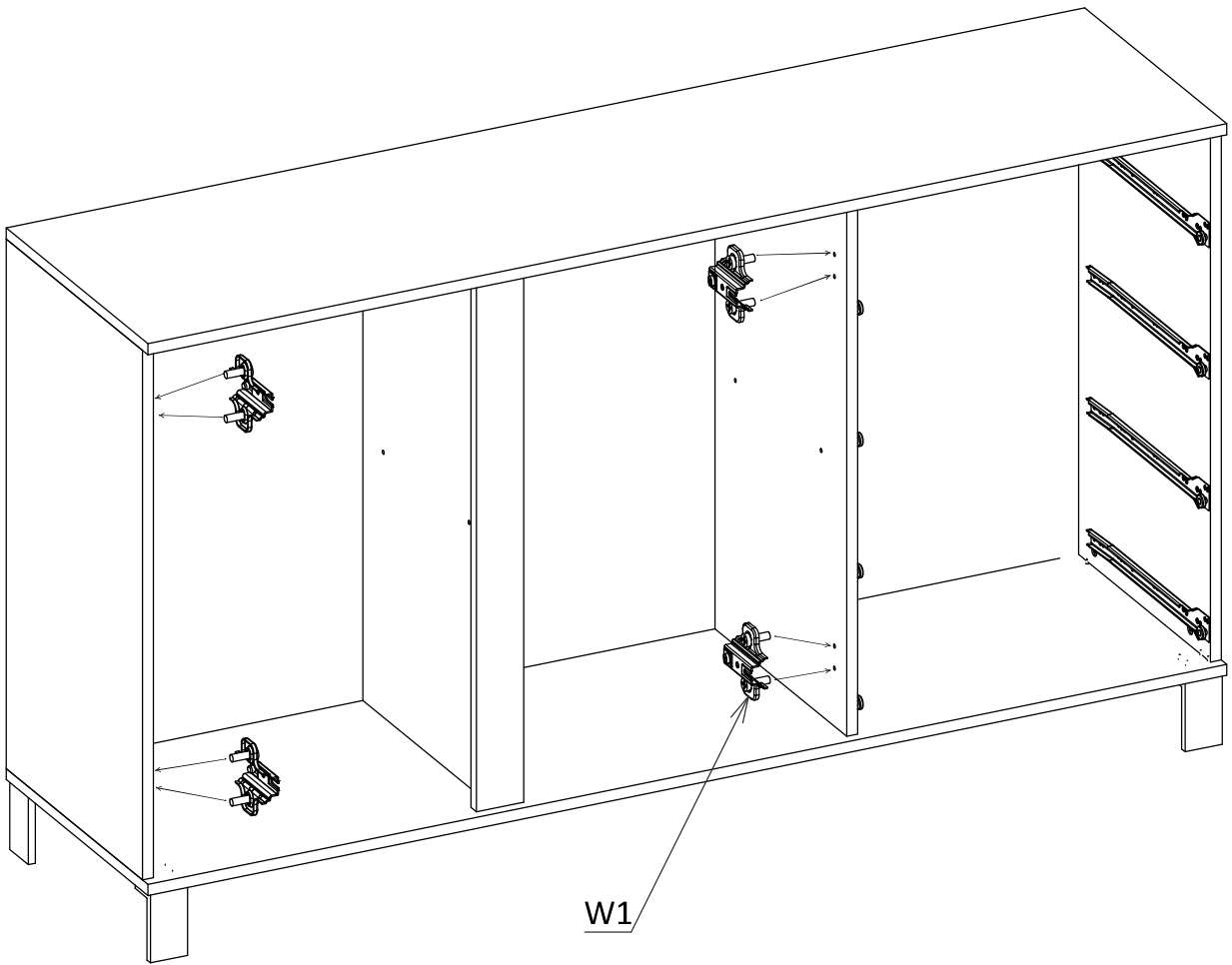
5



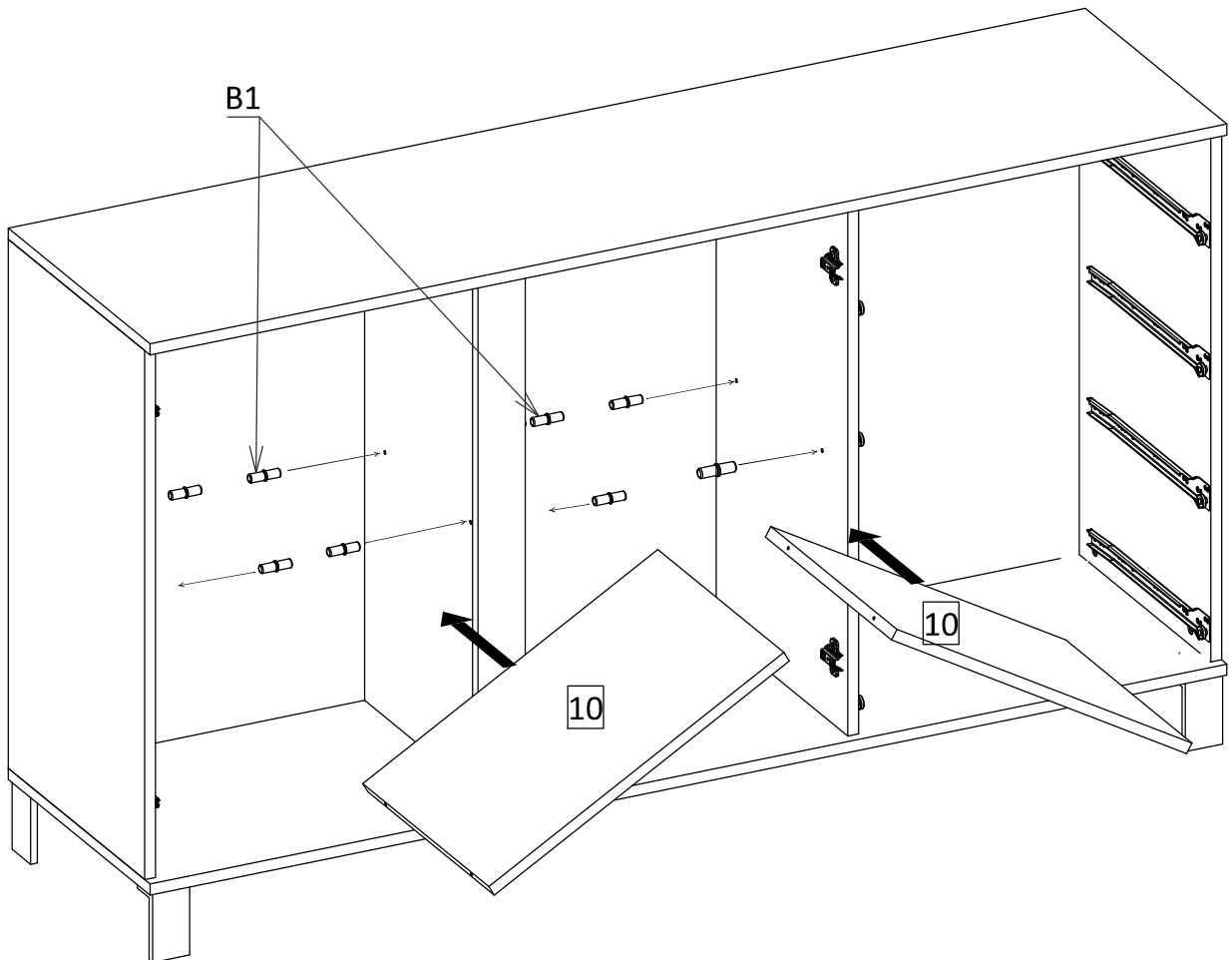
6



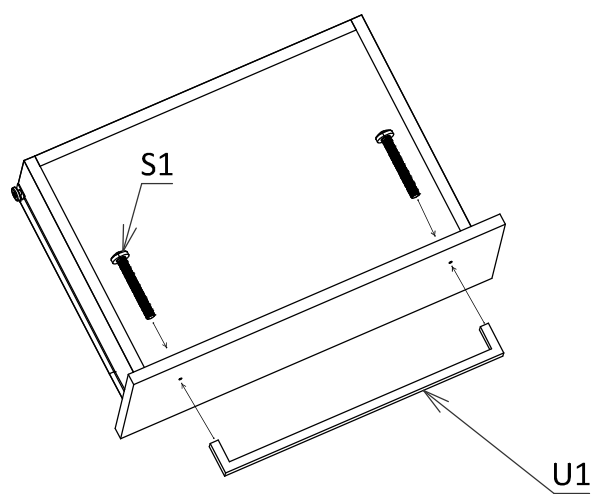
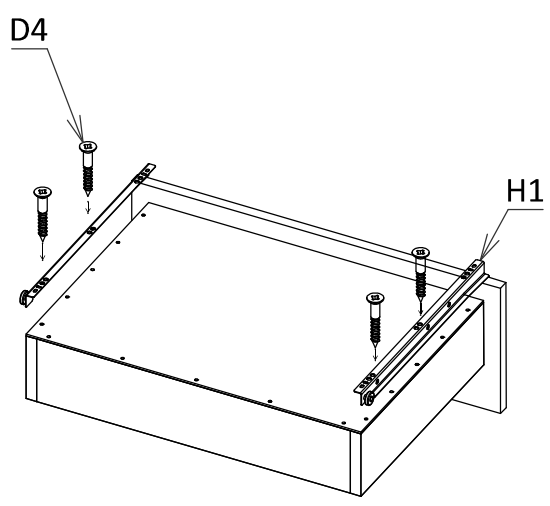
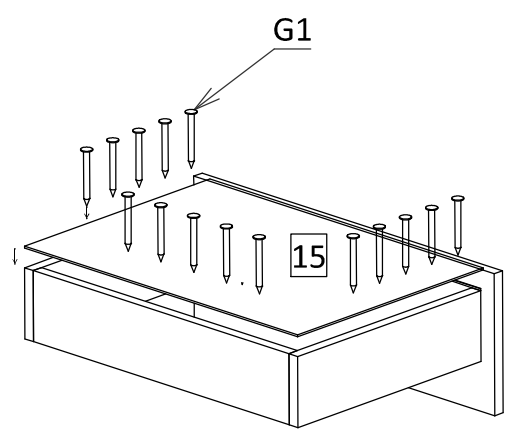
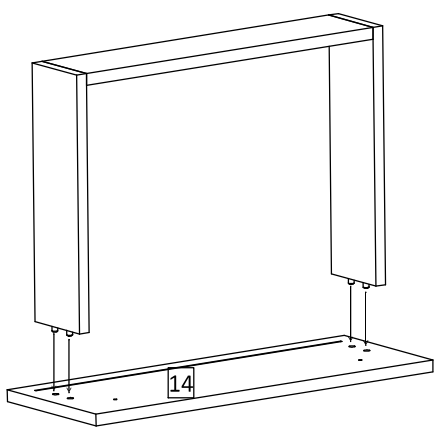
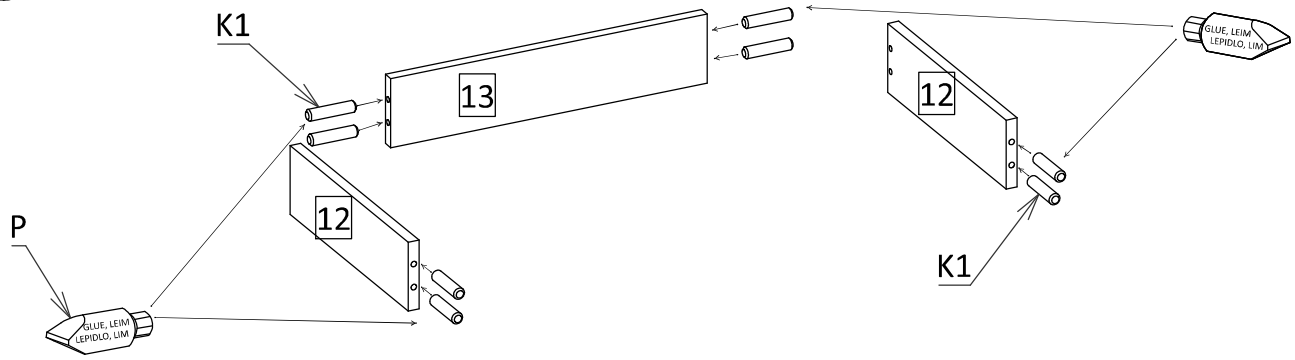
7



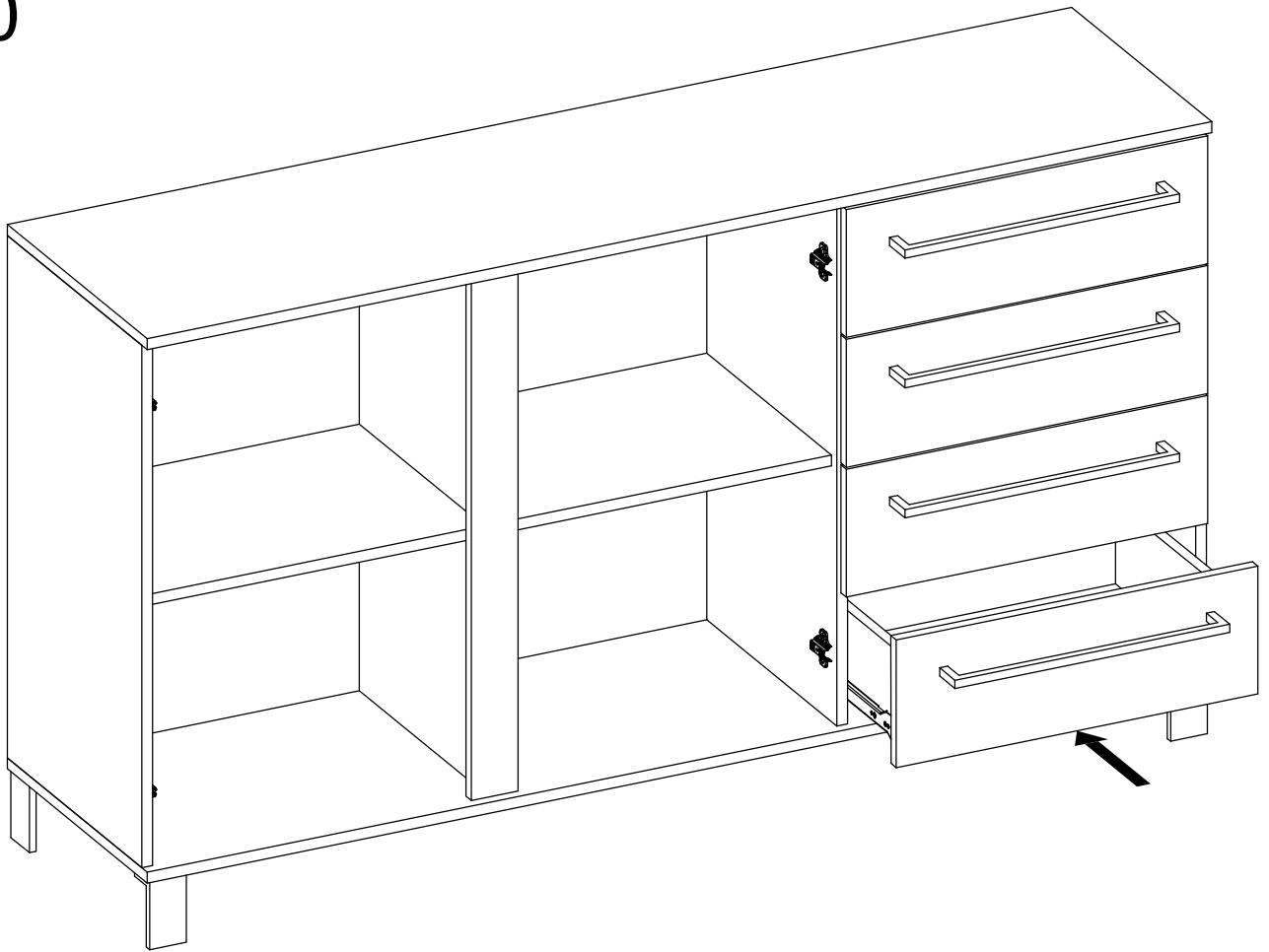
8



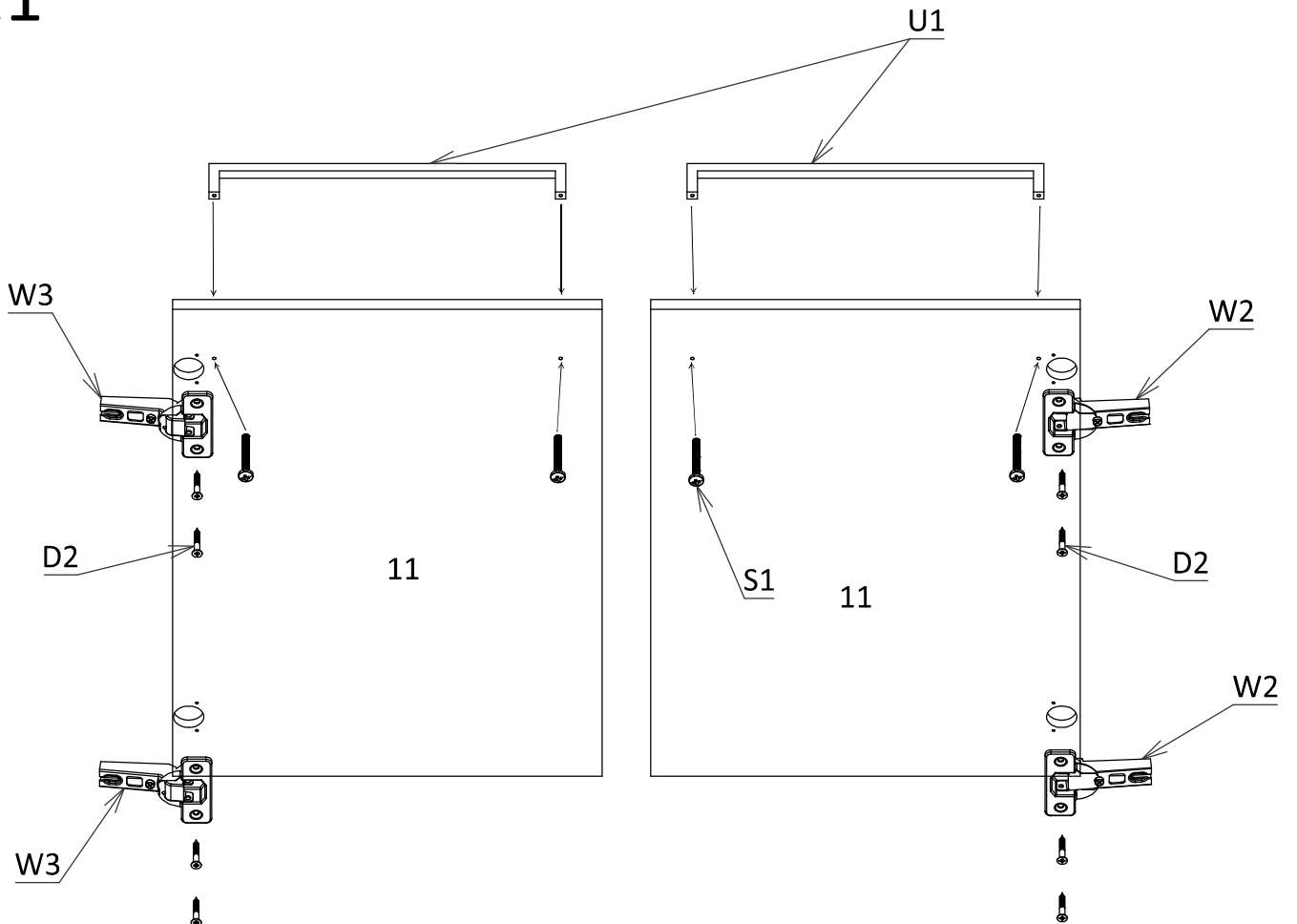
9



10



11



12

