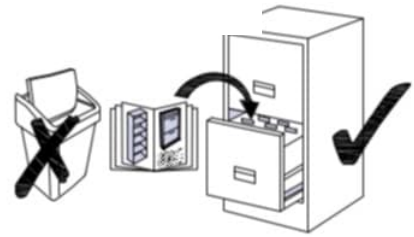
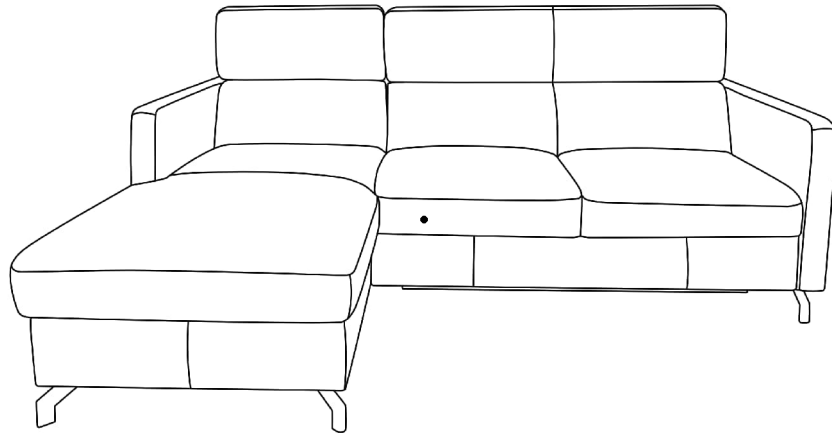
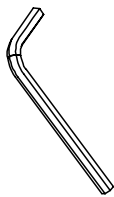


# Modell: AG13

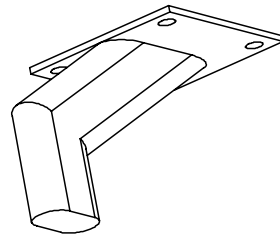


E1



1x

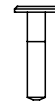
E2



5x

1SWL - 2RCP

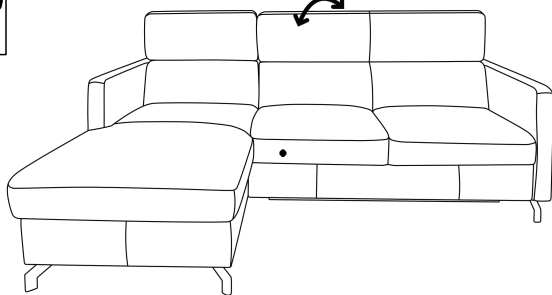
E4



M6 x 20/P  
20x

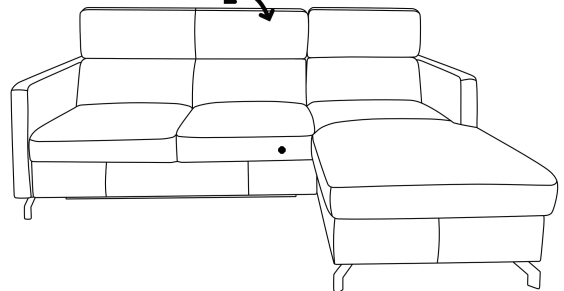
P

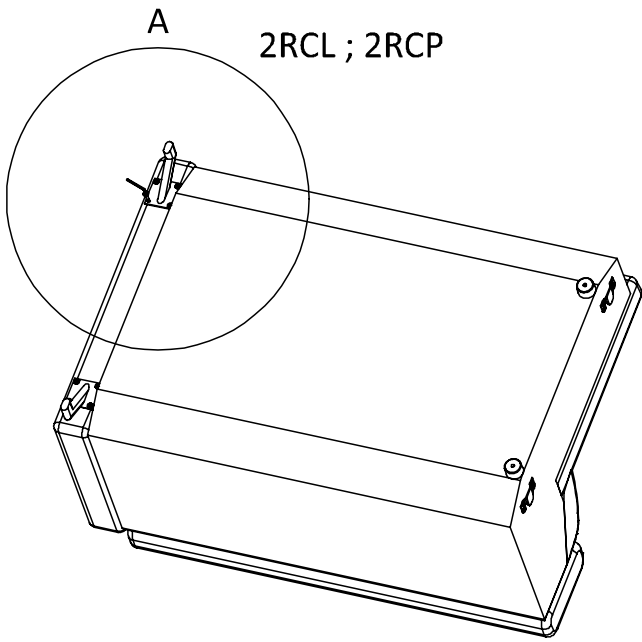
1SWL- 2RCP



L

1SWP- 2RCL





E4 M6 x 20P

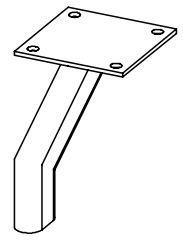
X90K1STL ; X90K1STP



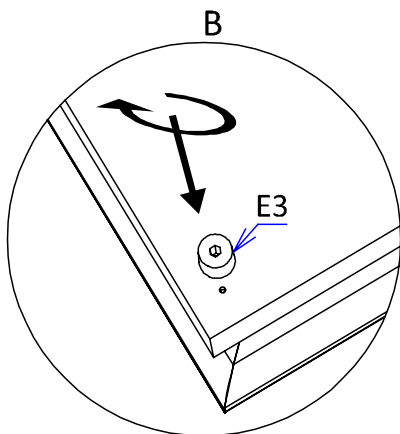
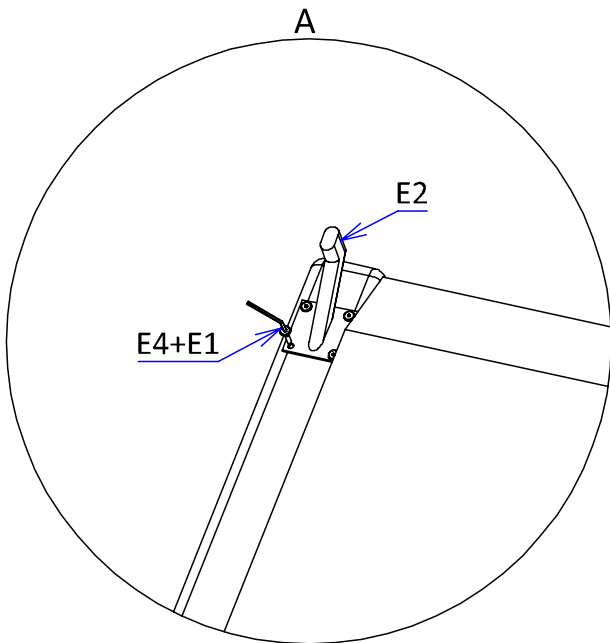
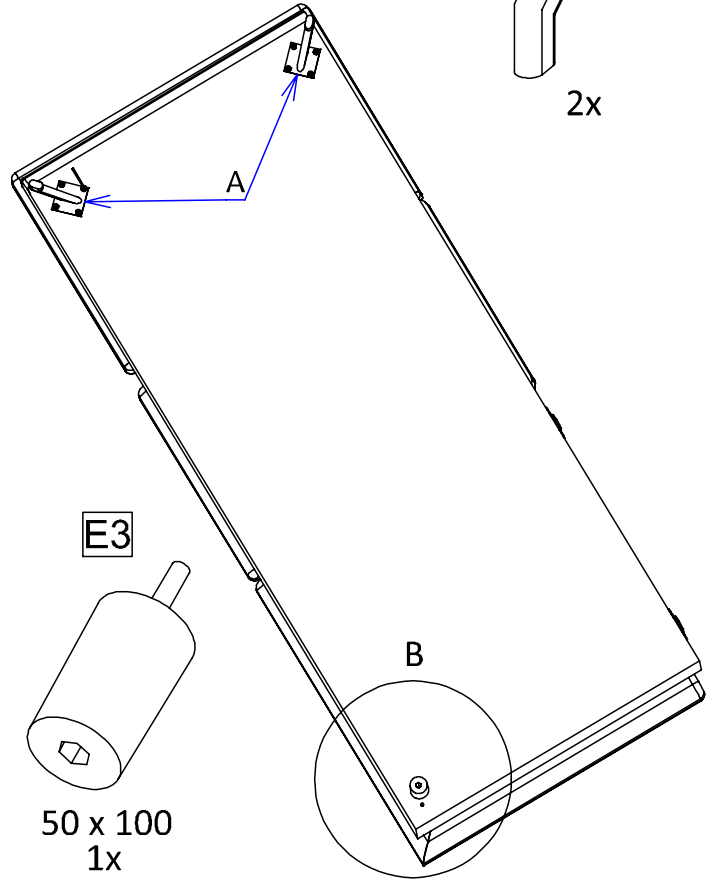
E1



8x



2x



1SWL ; 1SWP

