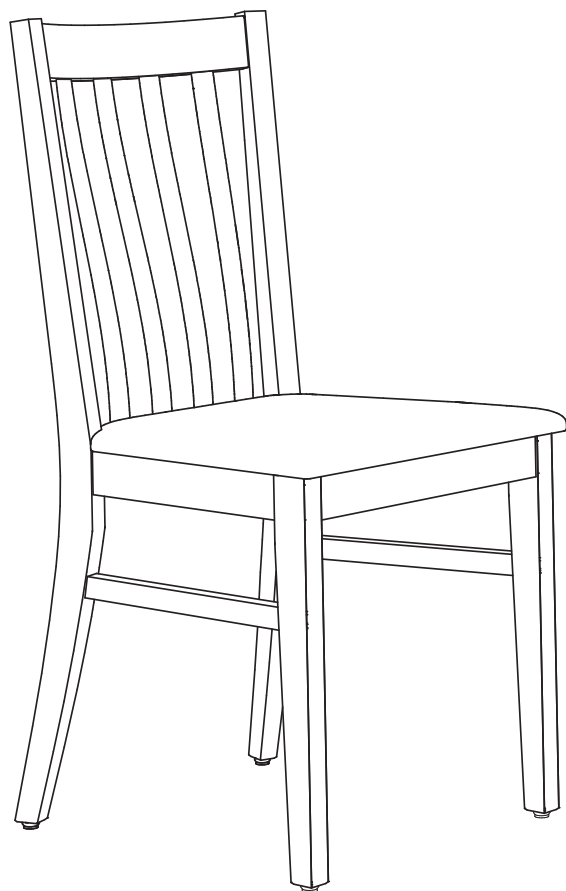


# NOA



8x  
Ø10x30



4x

Ø10x20 M6 M6x60



4x

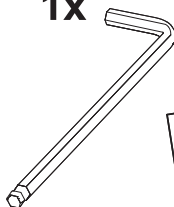
M6x60



4x



1x



4x

Ø5x60



4x

M6x10

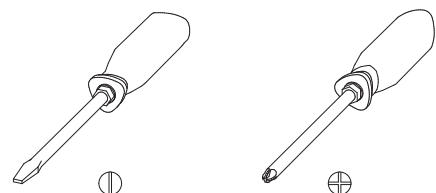
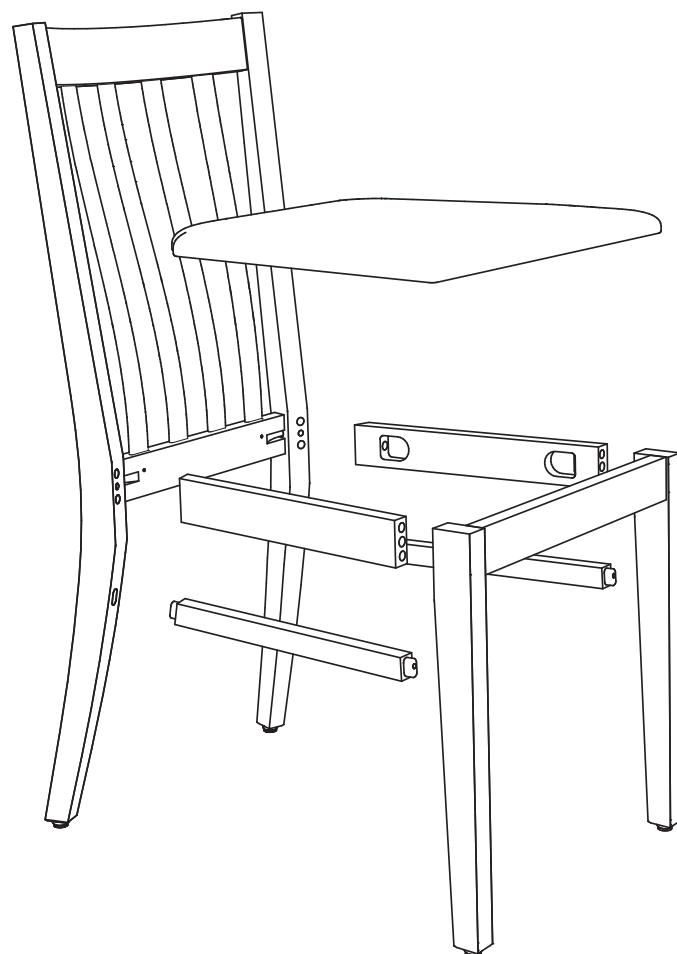


4x

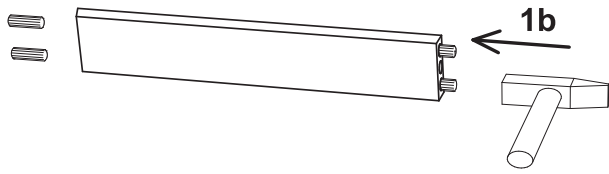
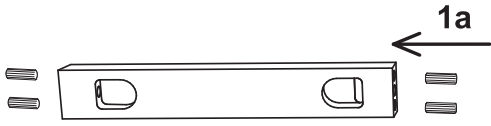
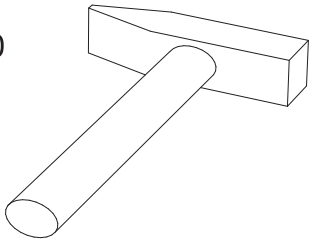
Ø4x16



4x



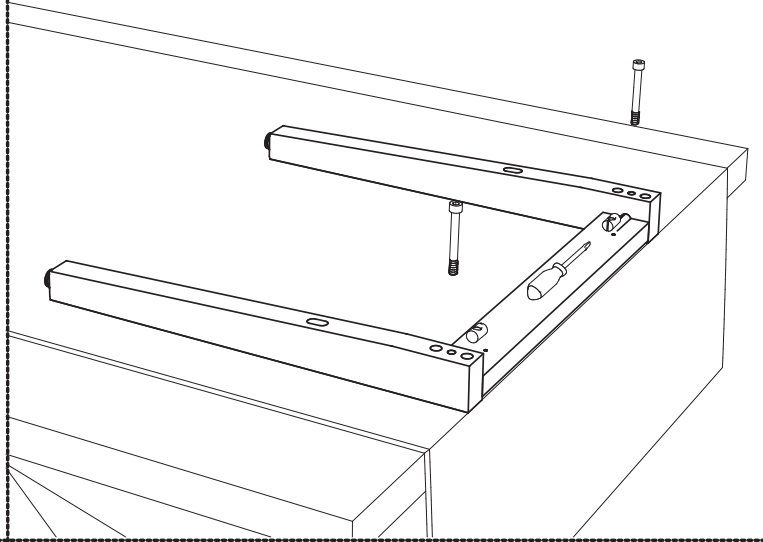
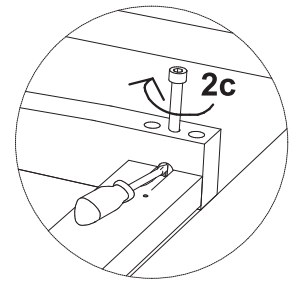
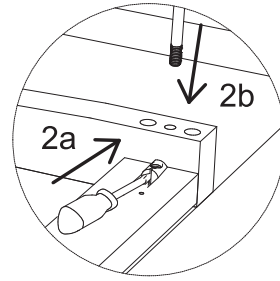
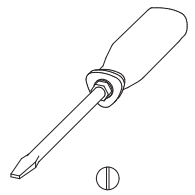
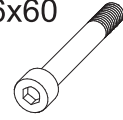
**1** 8x  
Ø10x30



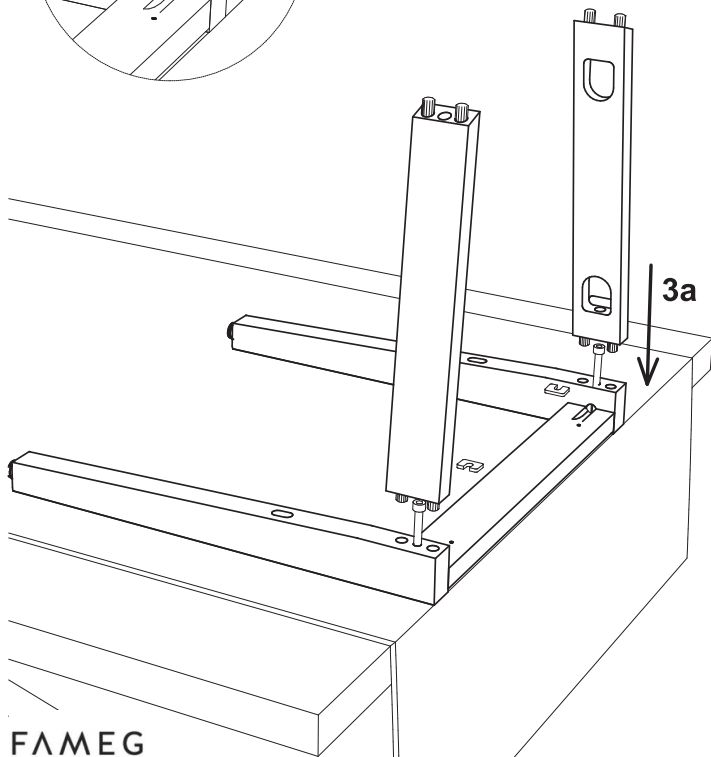
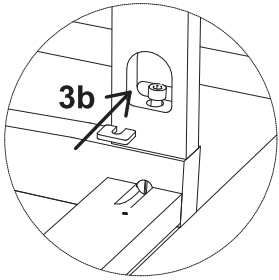
**2** 2x  
Ø10x20 M6



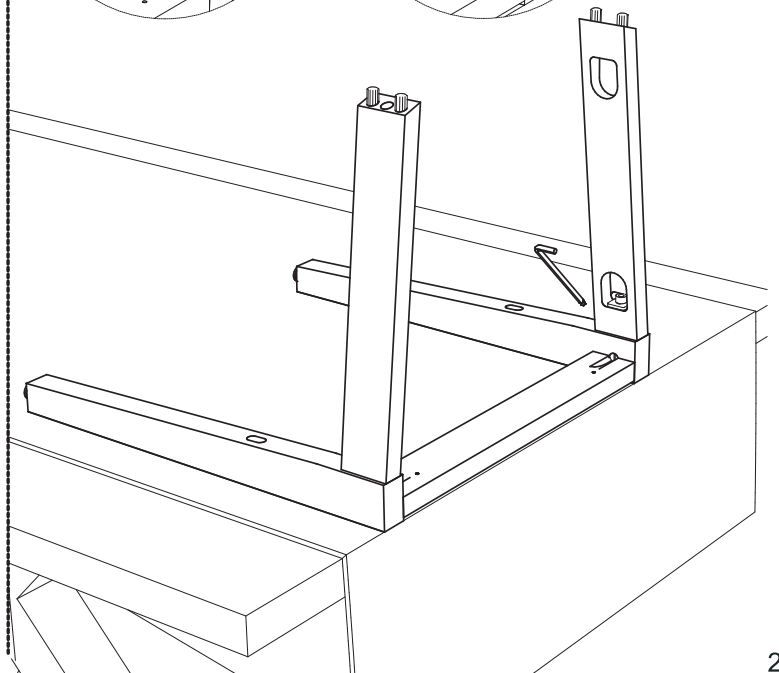
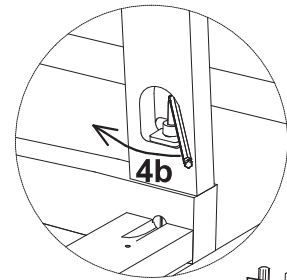
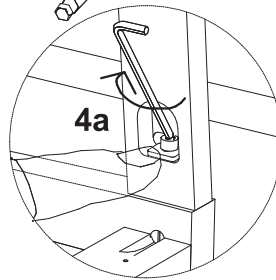
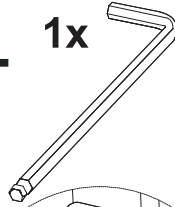
**2x**  
M6x60



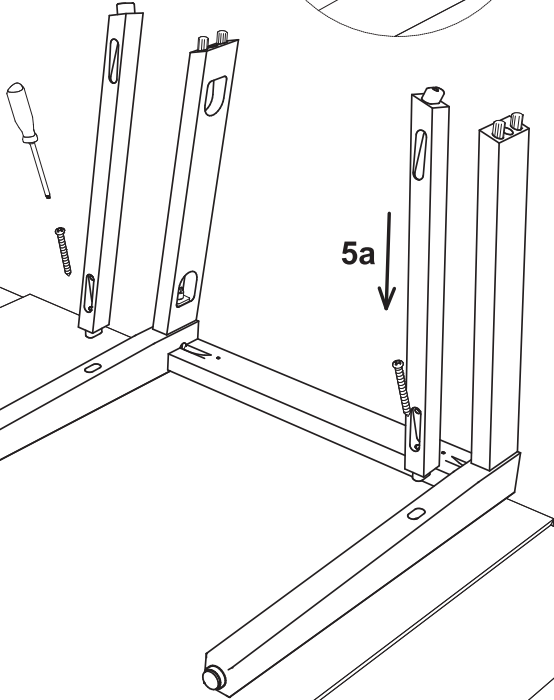
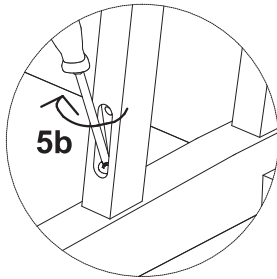
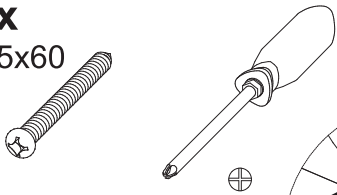
**3** 2x



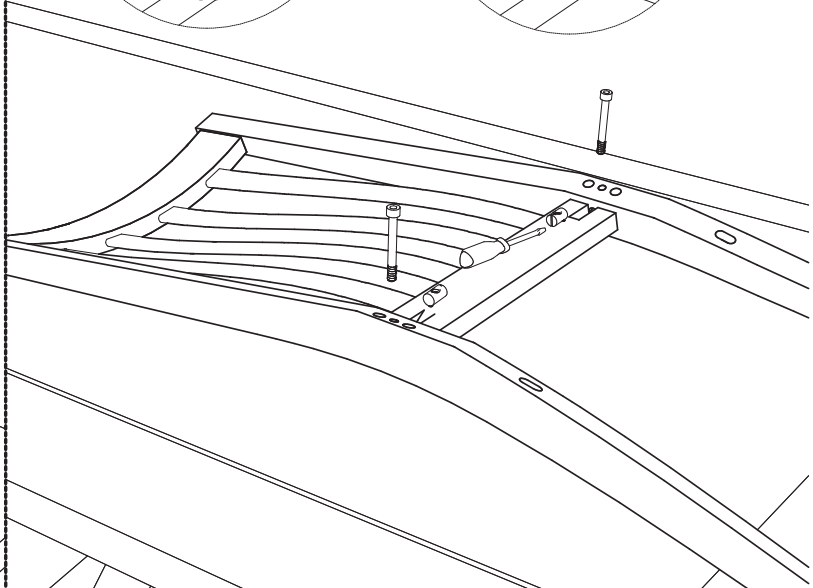
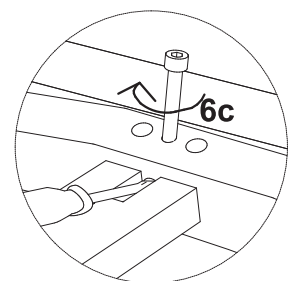
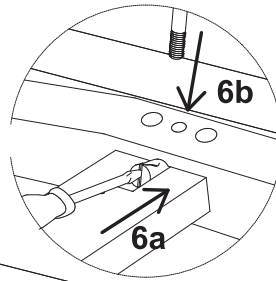
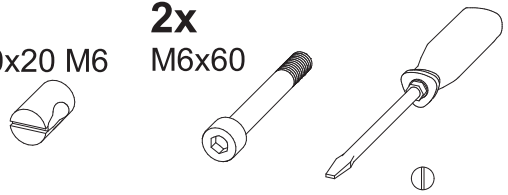
**4** 1x



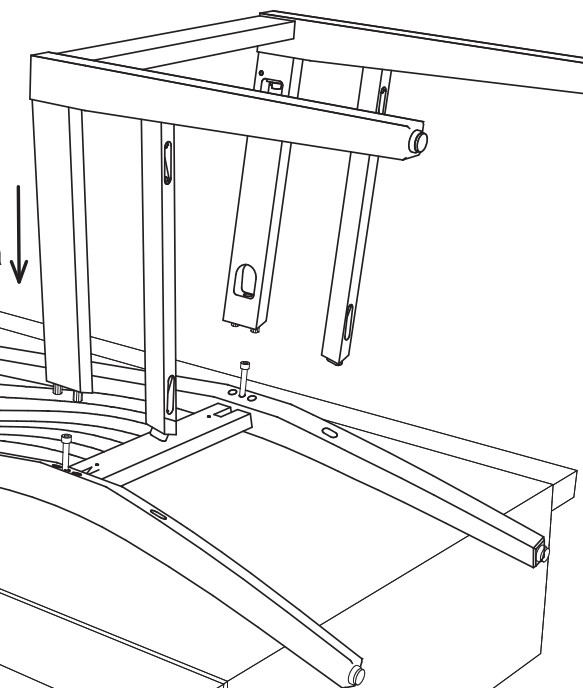
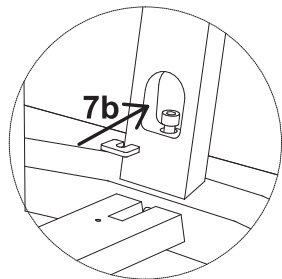
5 2x  
Ø5x60



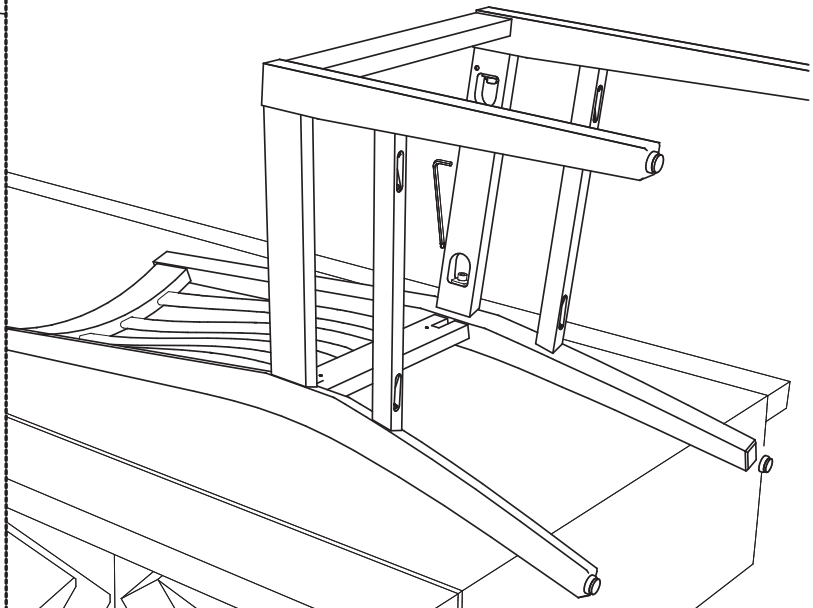
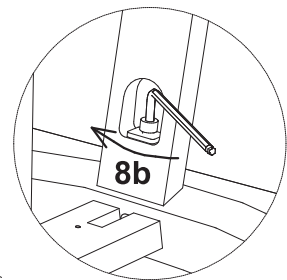
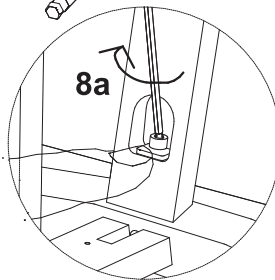
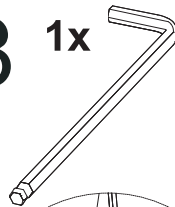
6 2x Ø10x20 M6 2x M6x60



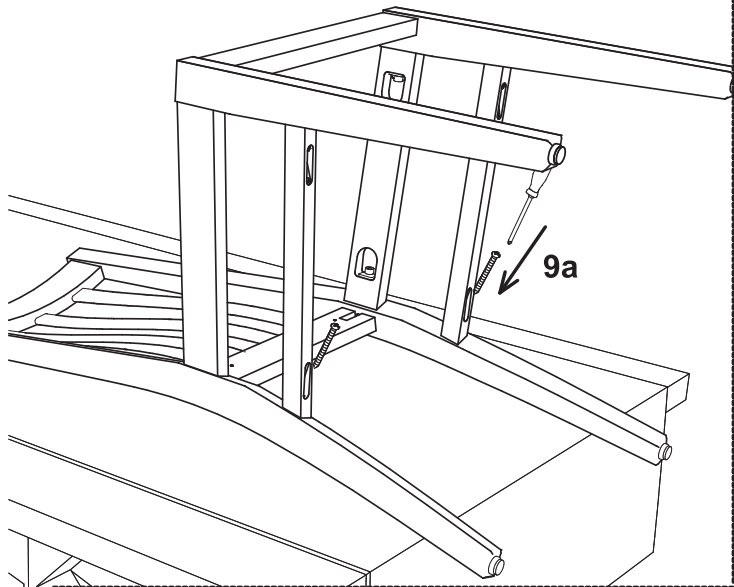
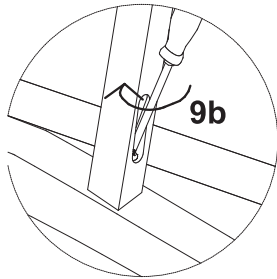
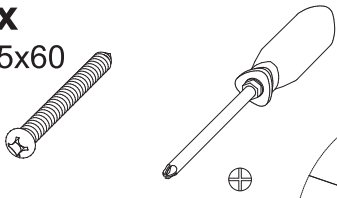
7 2x



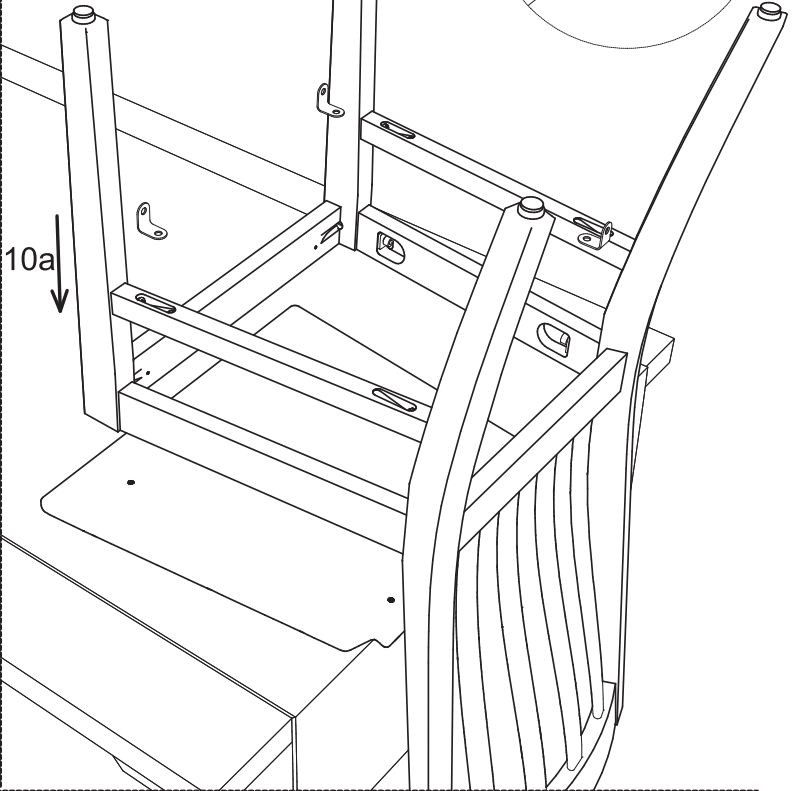
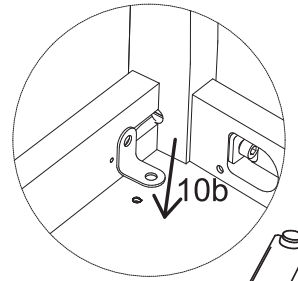
8 1x



9 2x  
Ø5x60



10 4x



11 4x 4x  
M6x10 Ø4x16

