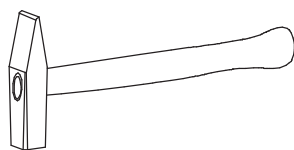
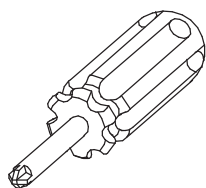
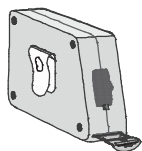
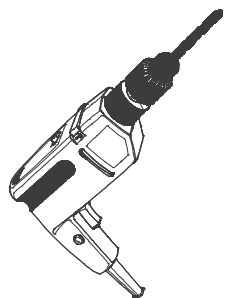
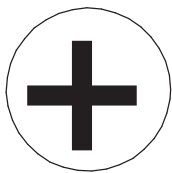
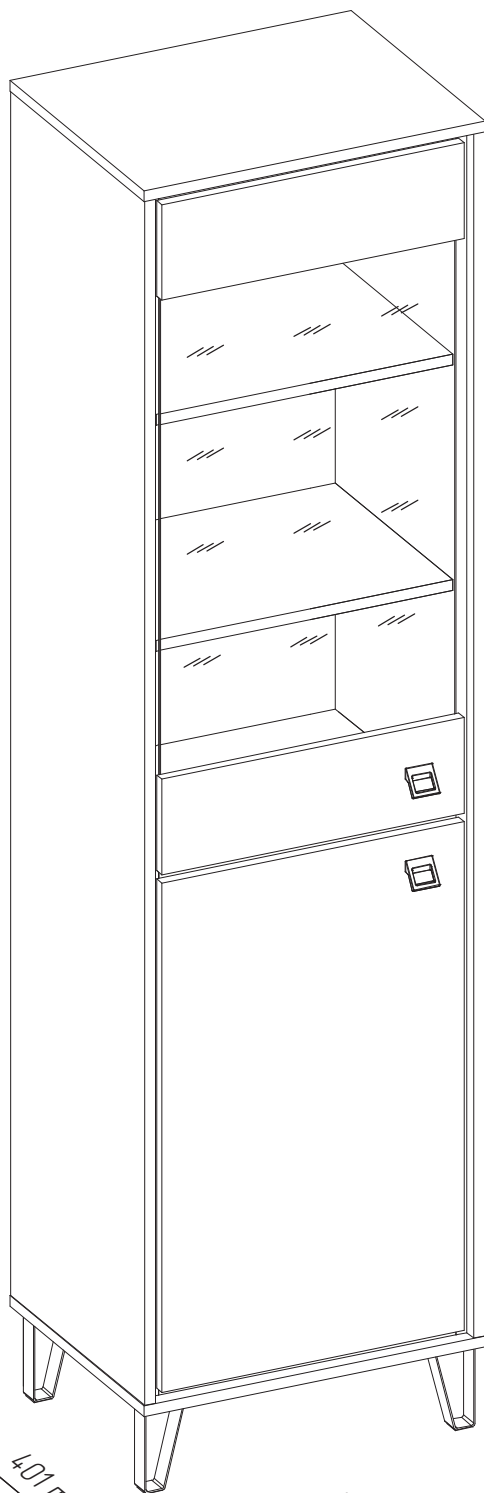


TIRION A

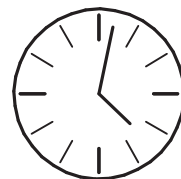
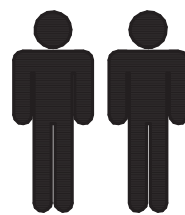


1915 mm

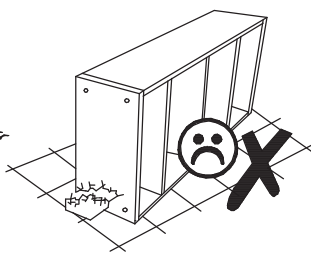
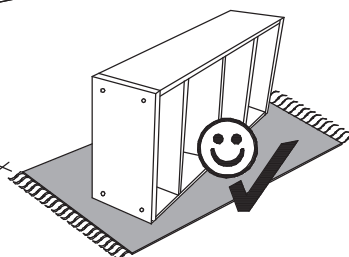
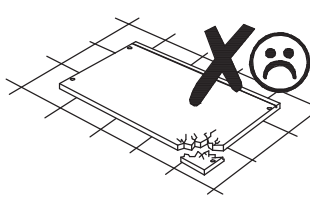
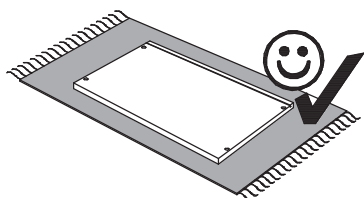
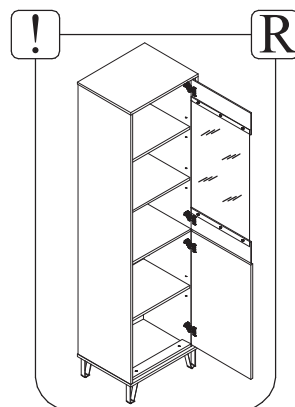
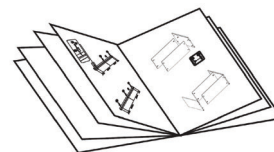
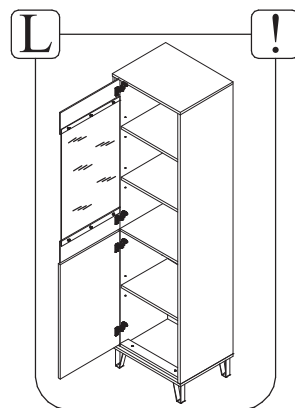


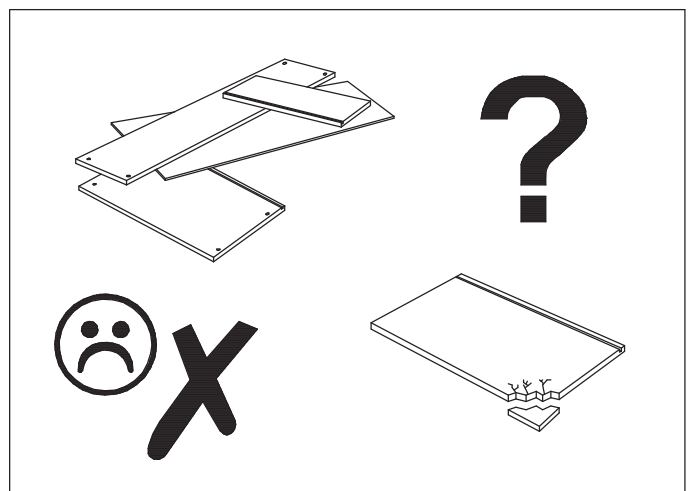
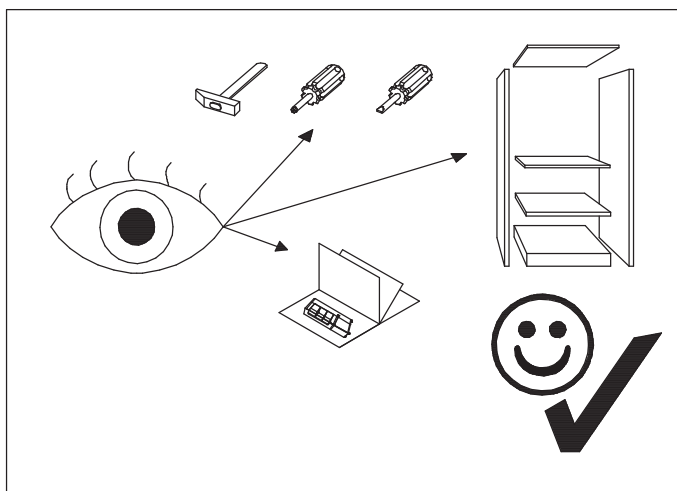
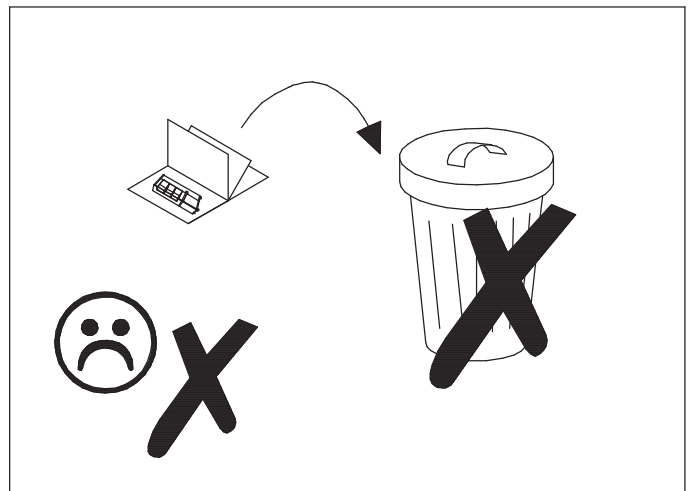
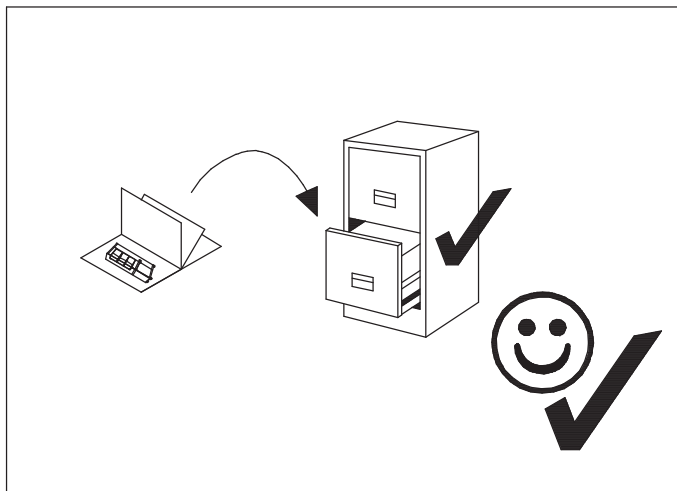
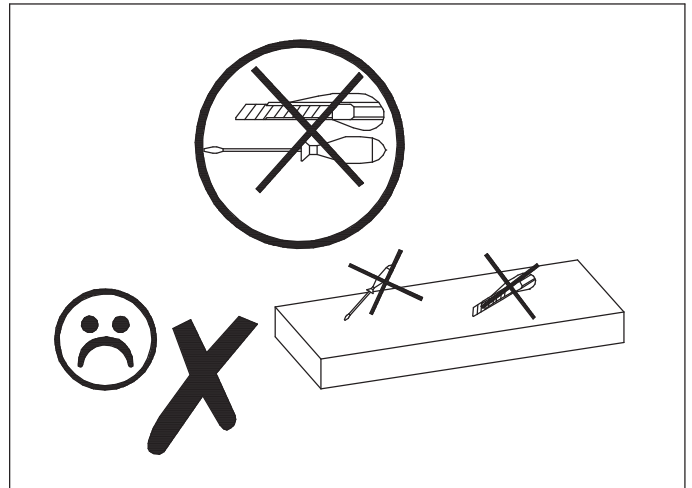
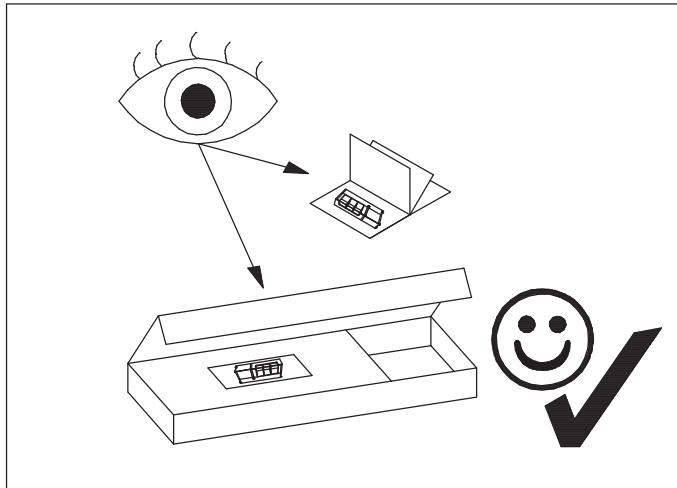
401 mm

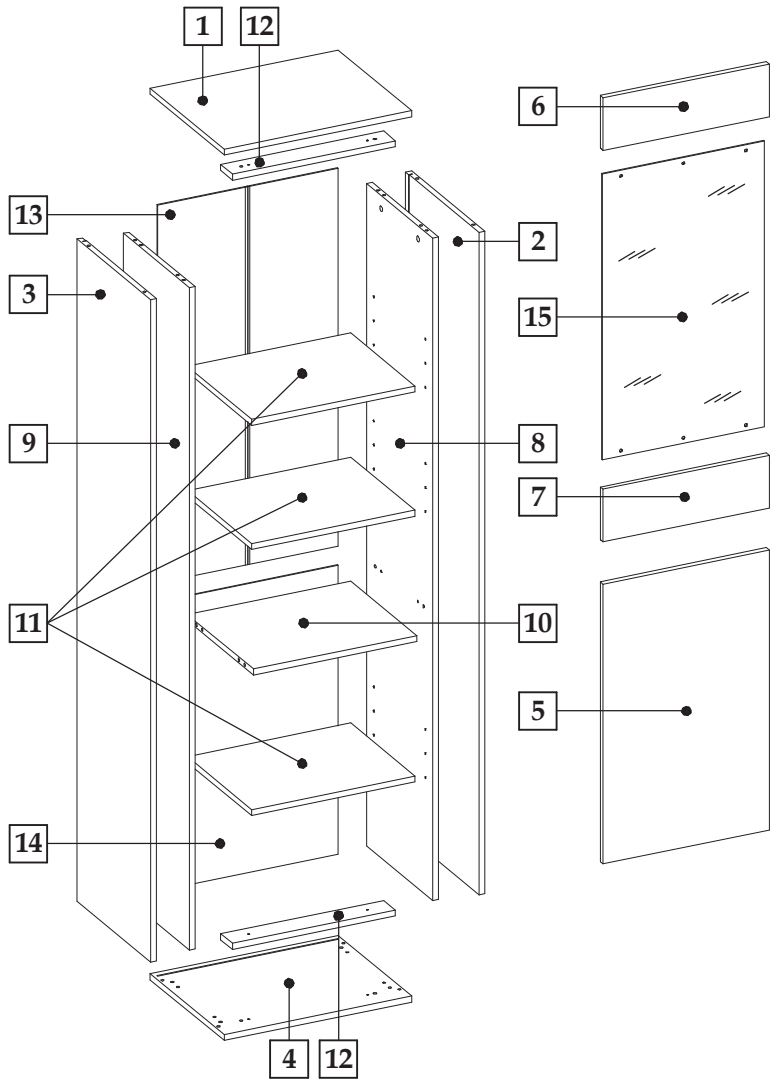
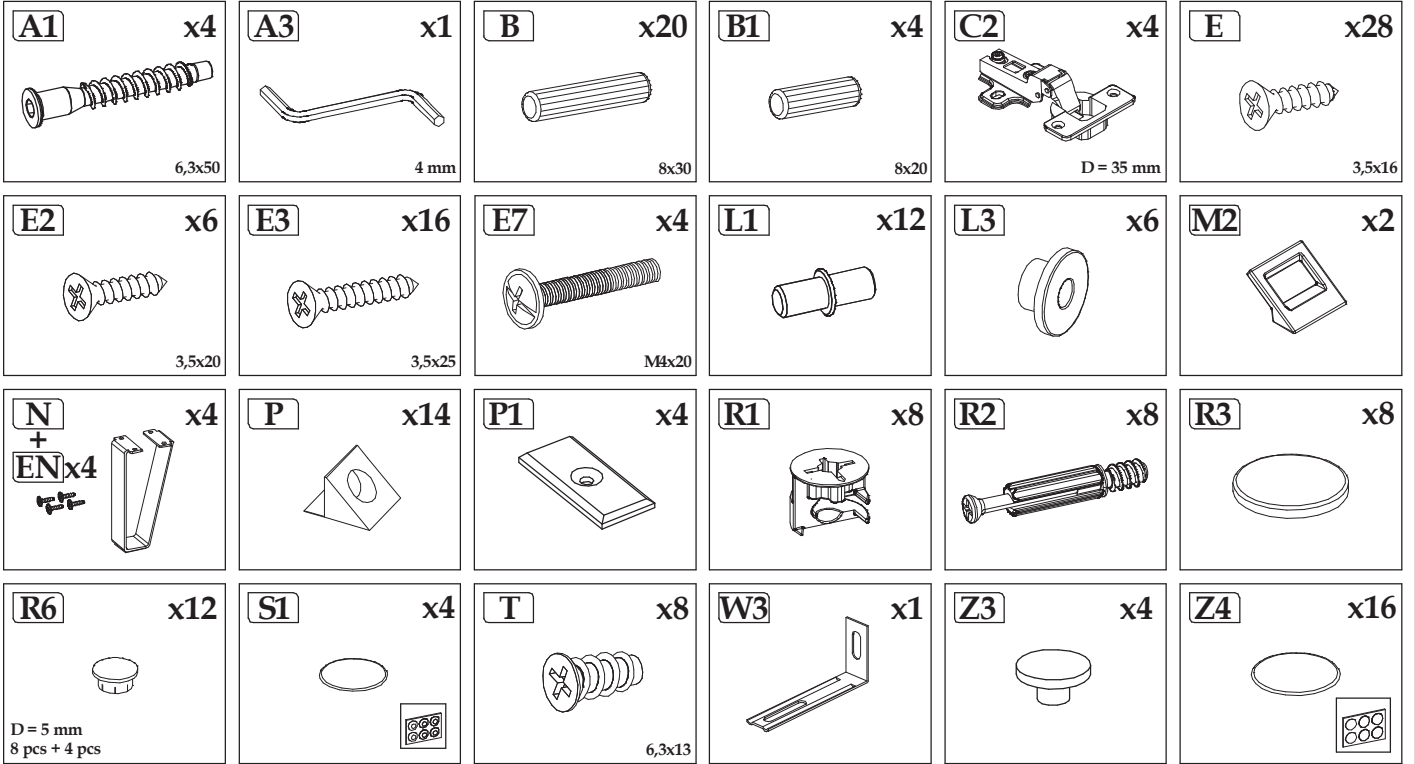
508 mm



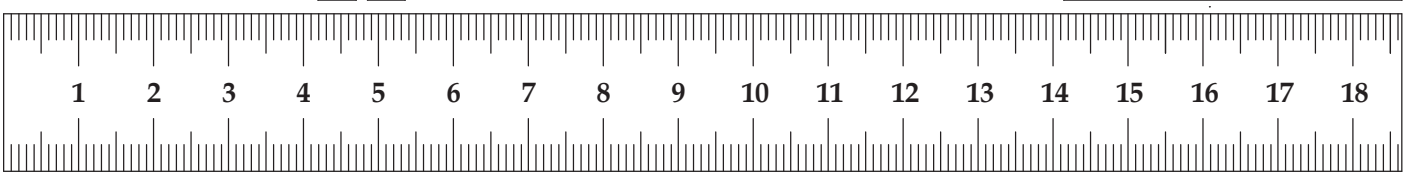
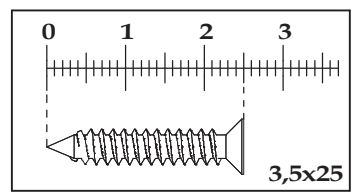
100 min

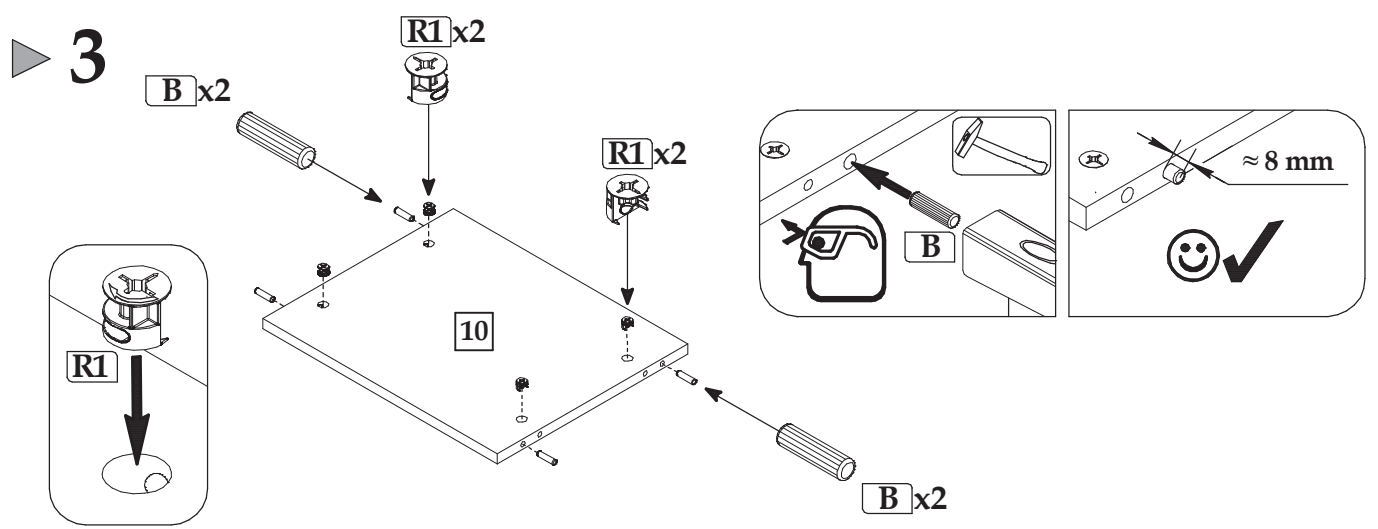
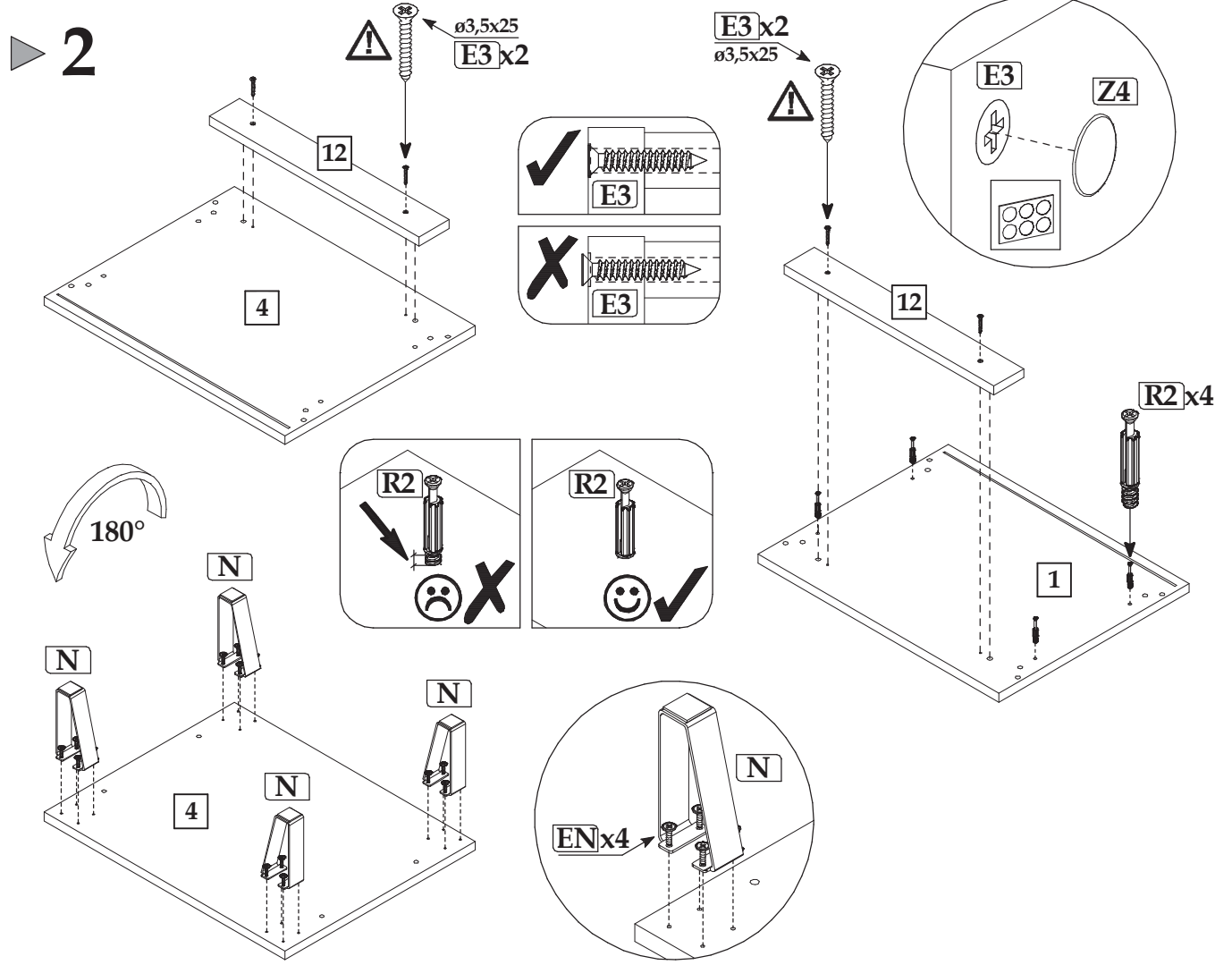
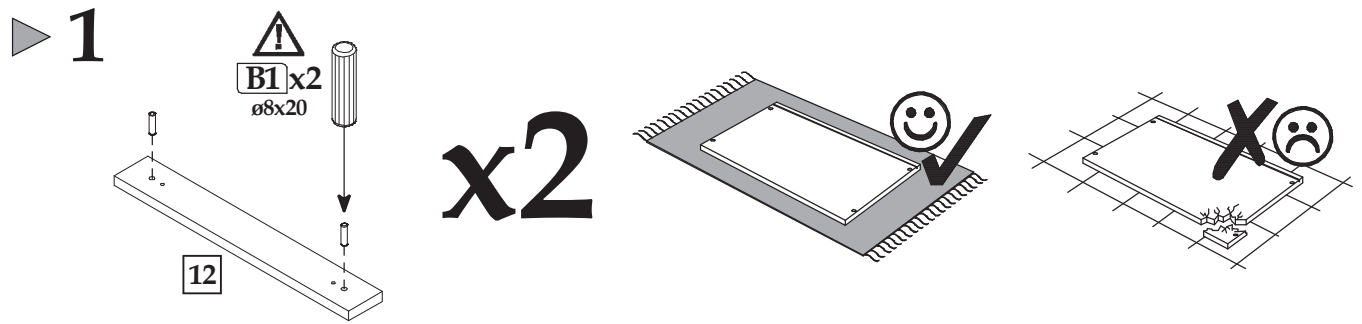


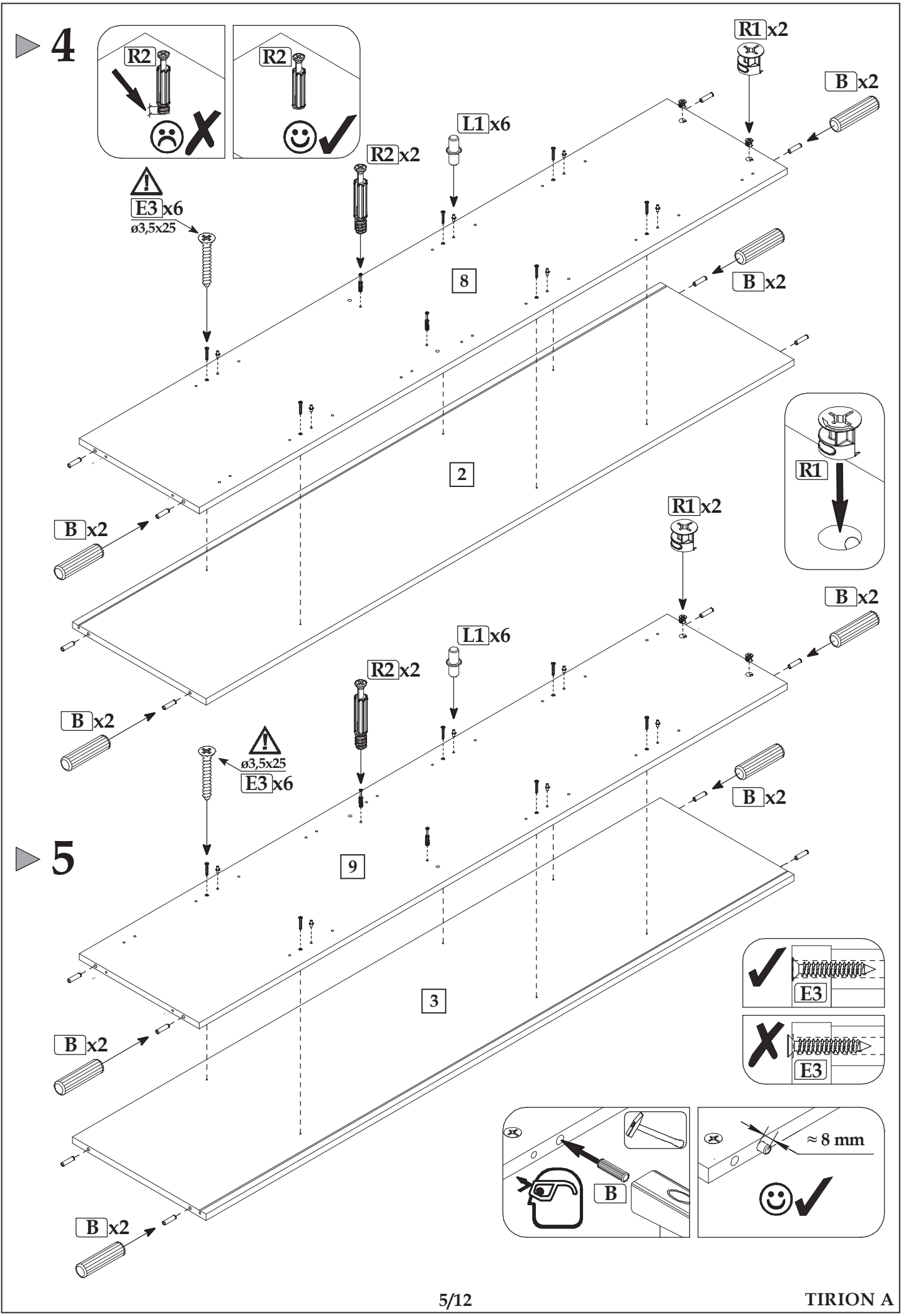


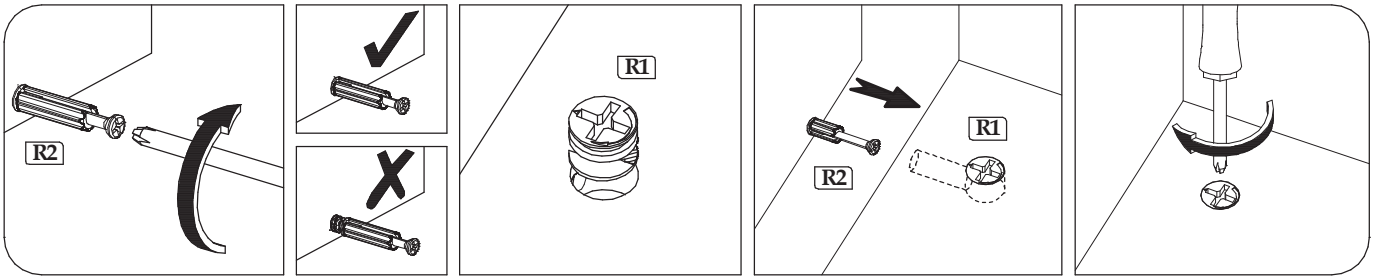


Element symbol	Measurements				Code	Pack
1	508	401	16	1	1004	2/ 3
2	1760	400	16	1	1001	1/ 3
3	1760	400	16	1	1002	1/ 3
4	508	401	16	1	1003	2/ 3
5	744	450	16	1	1010	2/ 3
6	450	140	16	1	1012	2/ 3
7	450	140	16	1	1013	2/ 3
8	1760	360	16	1	1007	1/ 3
9	1760	360	16	1	1006	1/ 3
10	442	359	16	1	1011	1/ 3
11	442	350	16	3	N/ A	1/ 3
12	442	64	16	2	1008/ 1015	2/ 3
13	1005	246	3	2	N/ A	1/ 3
14	617	176	3	1	N/ A	2/ 3
15	760	438	4	1	Glass	3/ 3

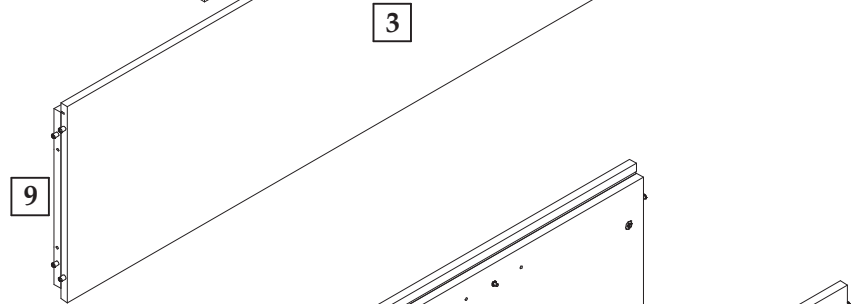
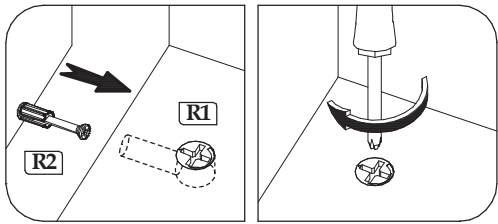
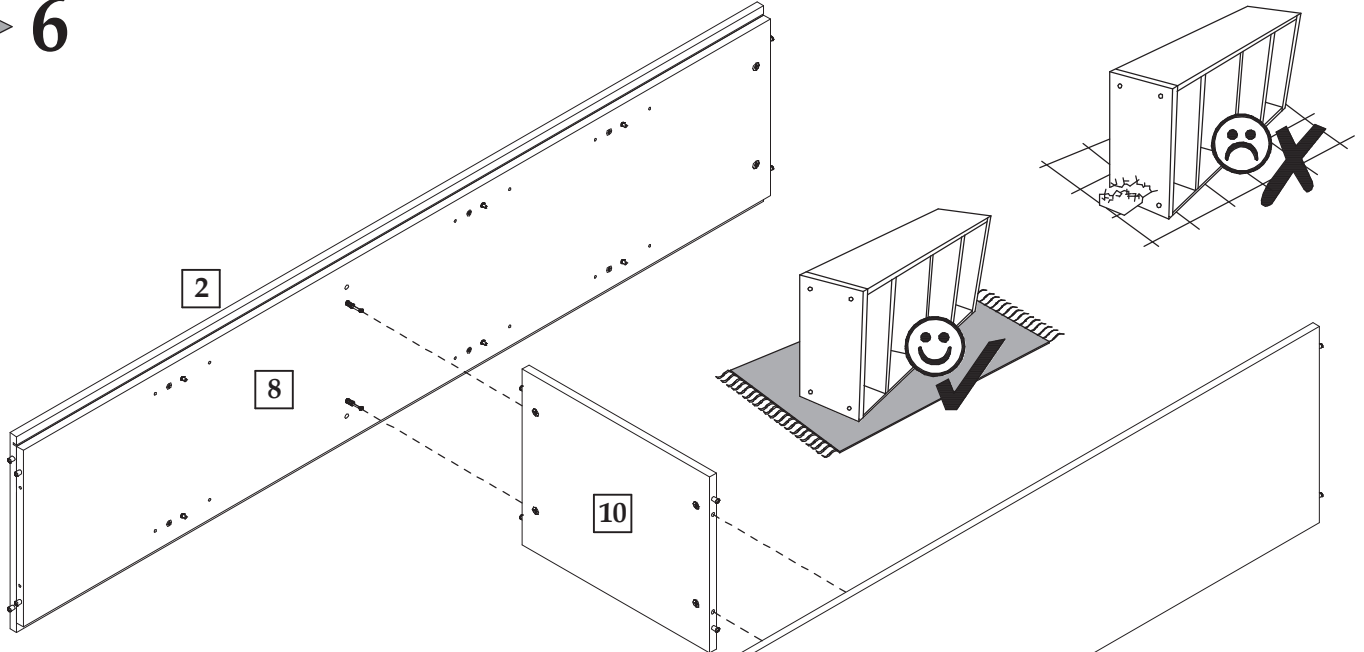




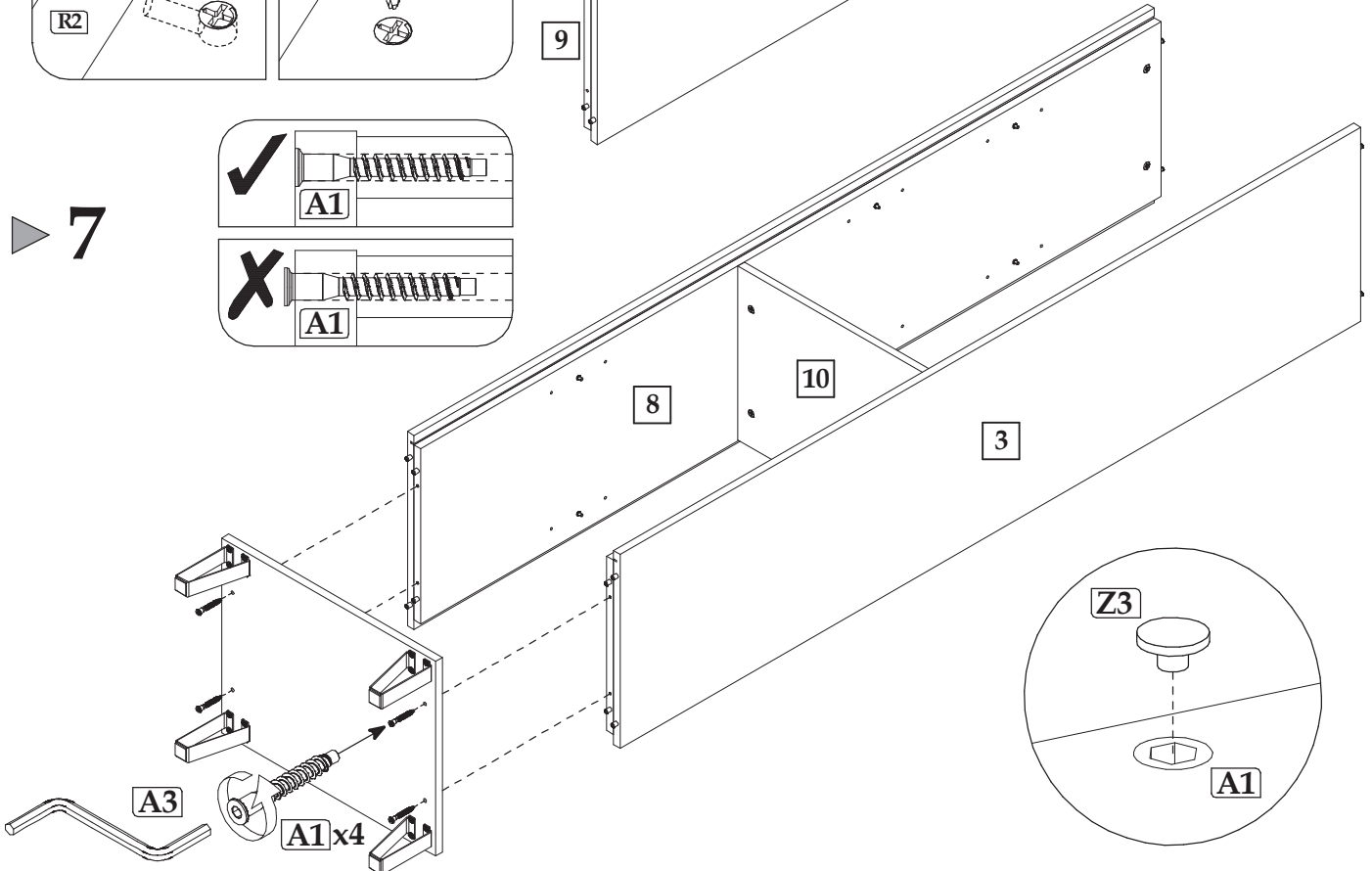
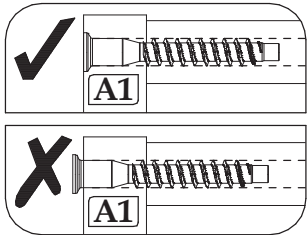




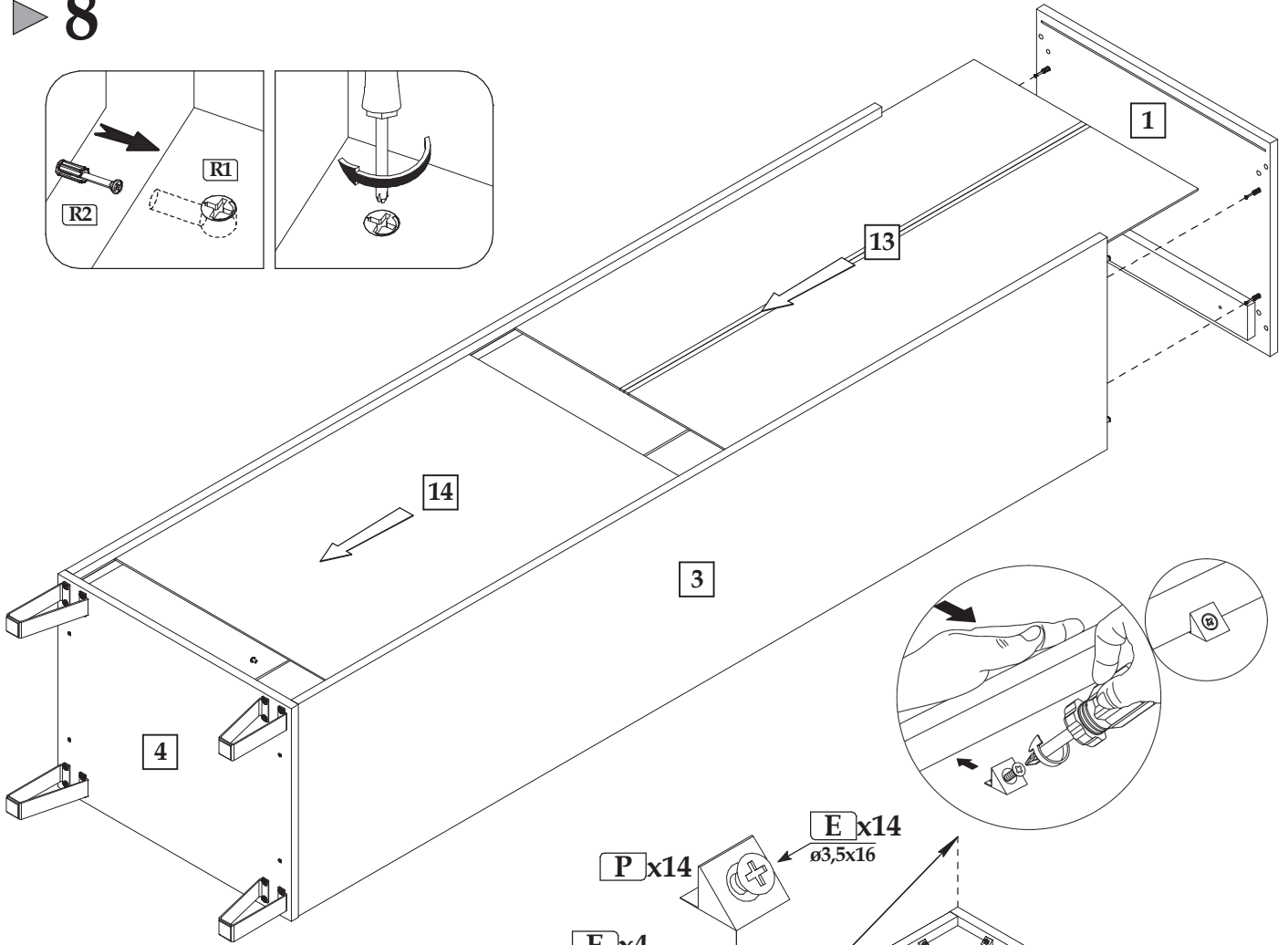
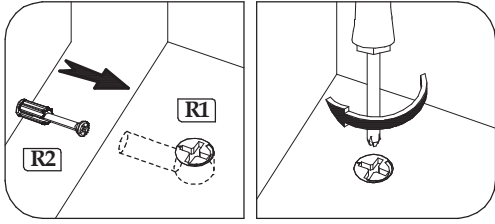
▶ 6



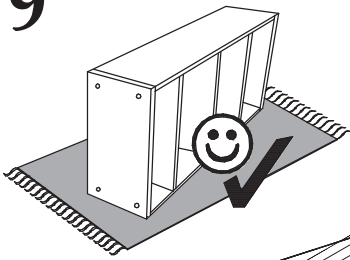
▶ 7



8



9



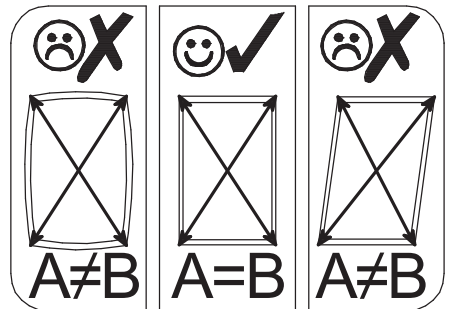
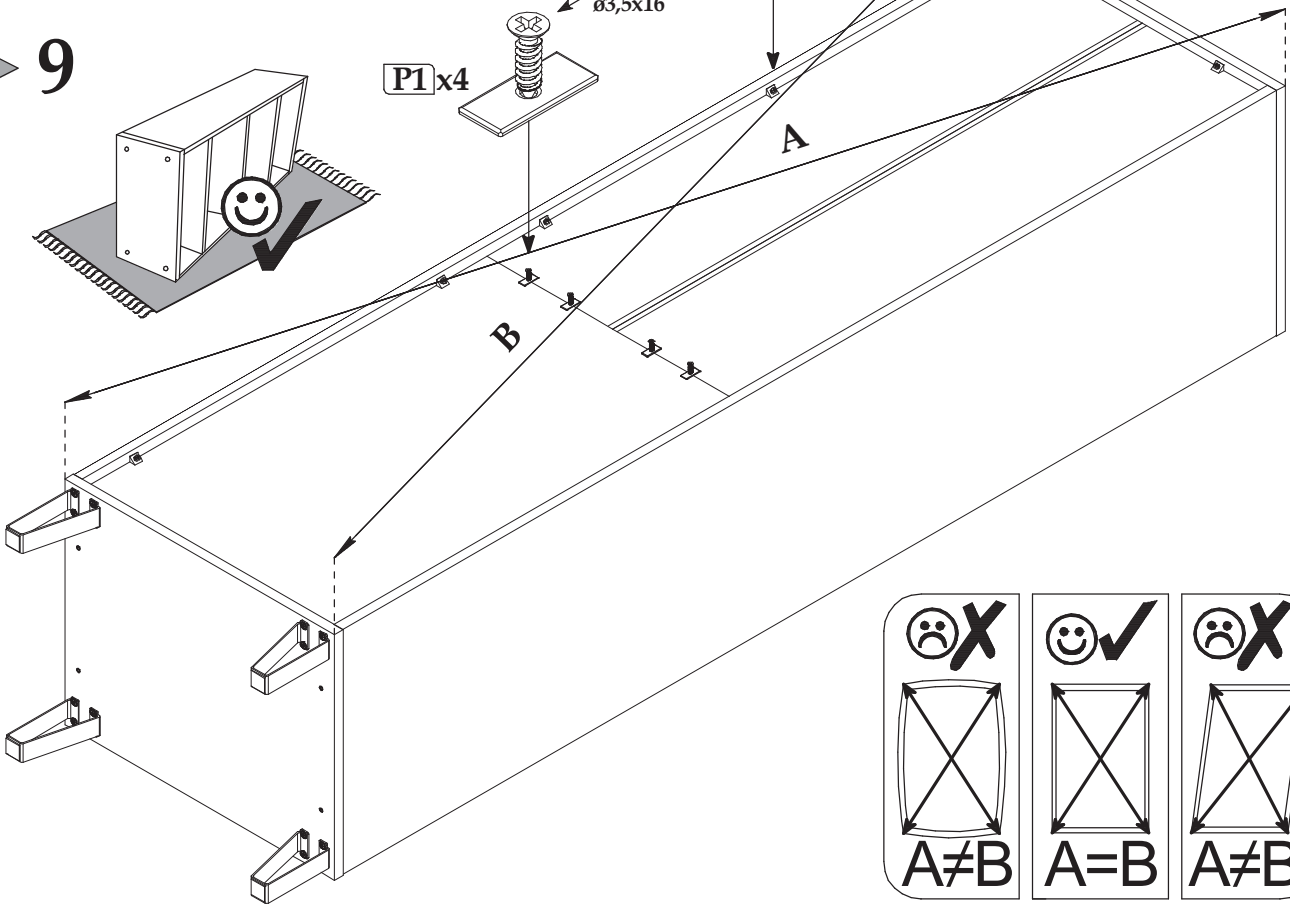
E x4
ø3,5x16

P x14

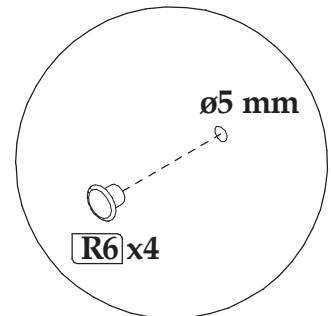
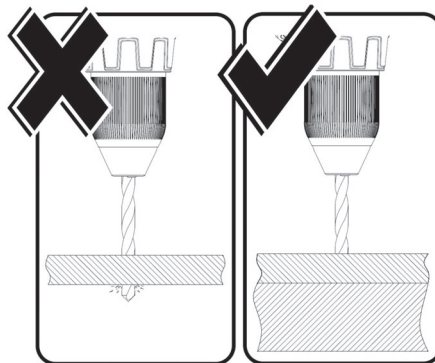
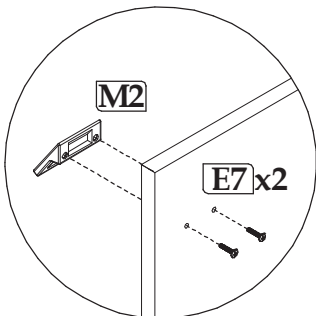
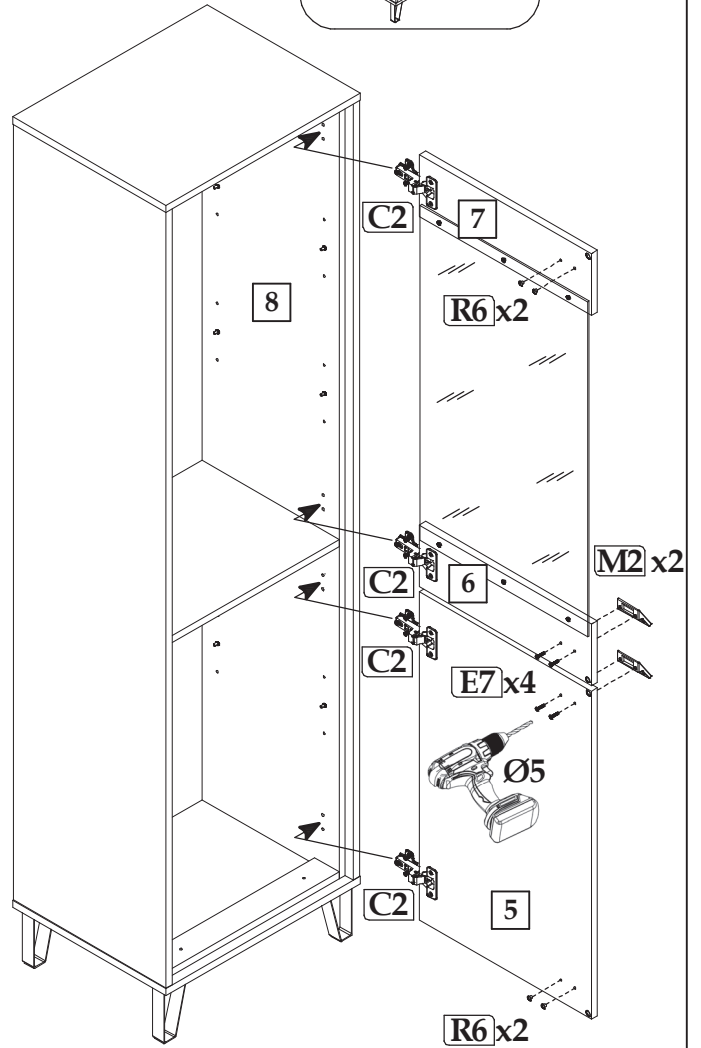
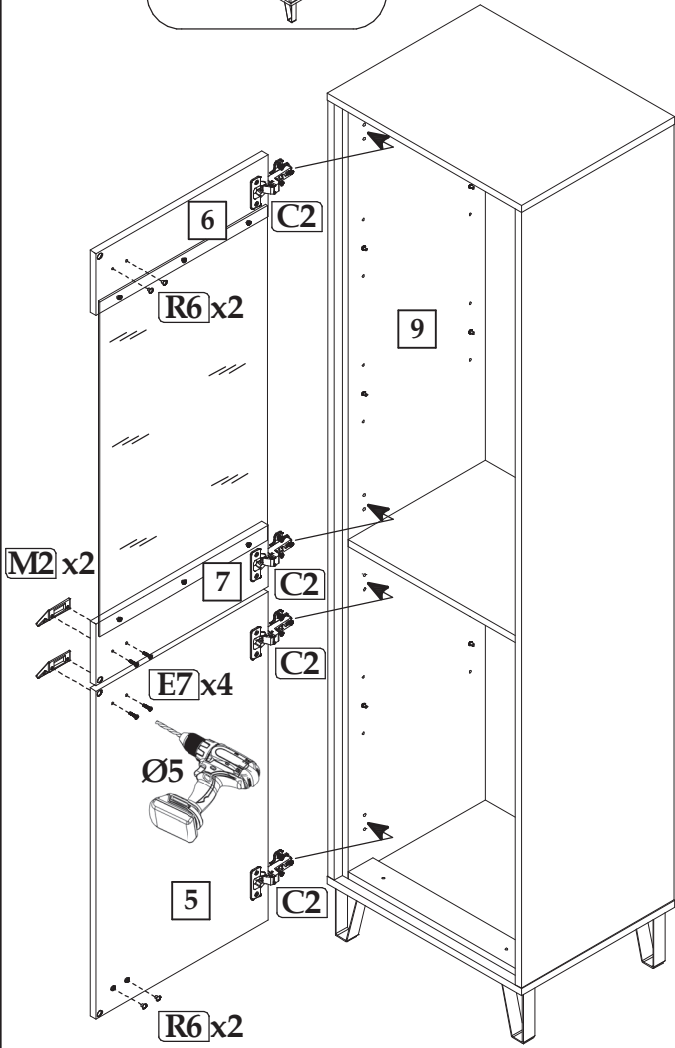
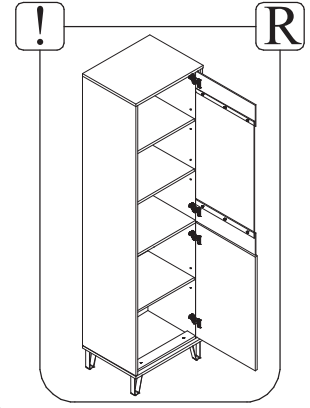
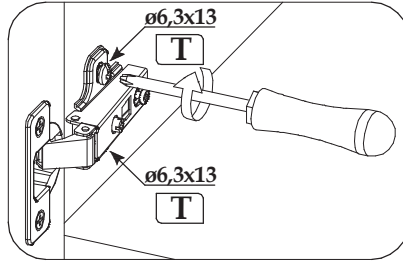
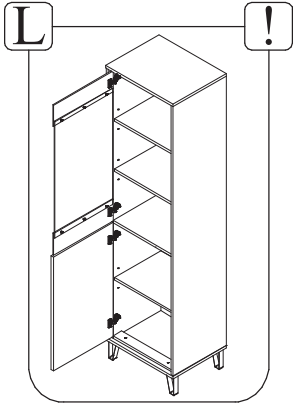
E x14
ø3,5x16

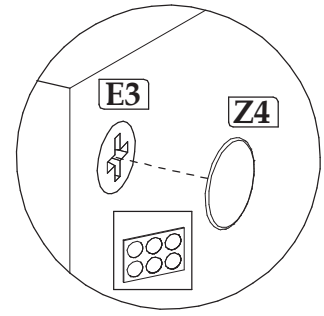
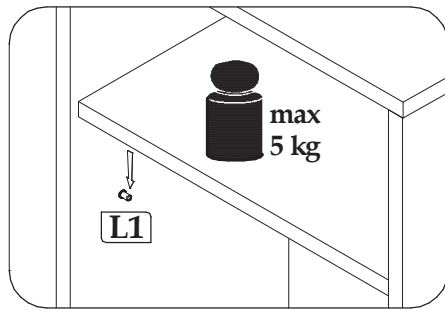
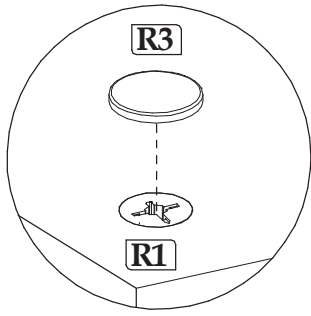
A

B

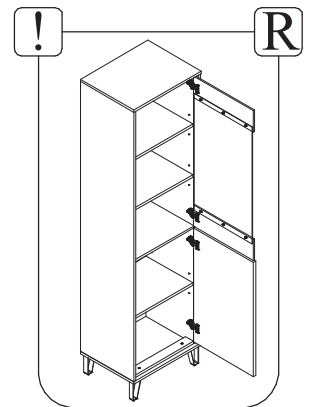
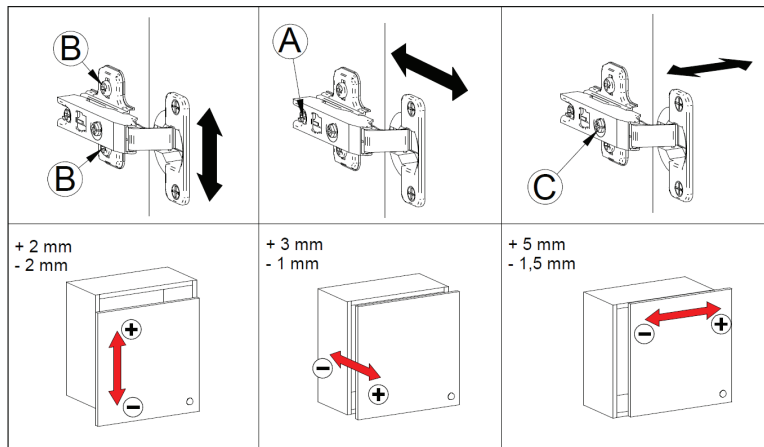
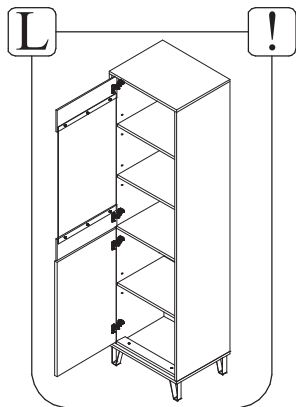
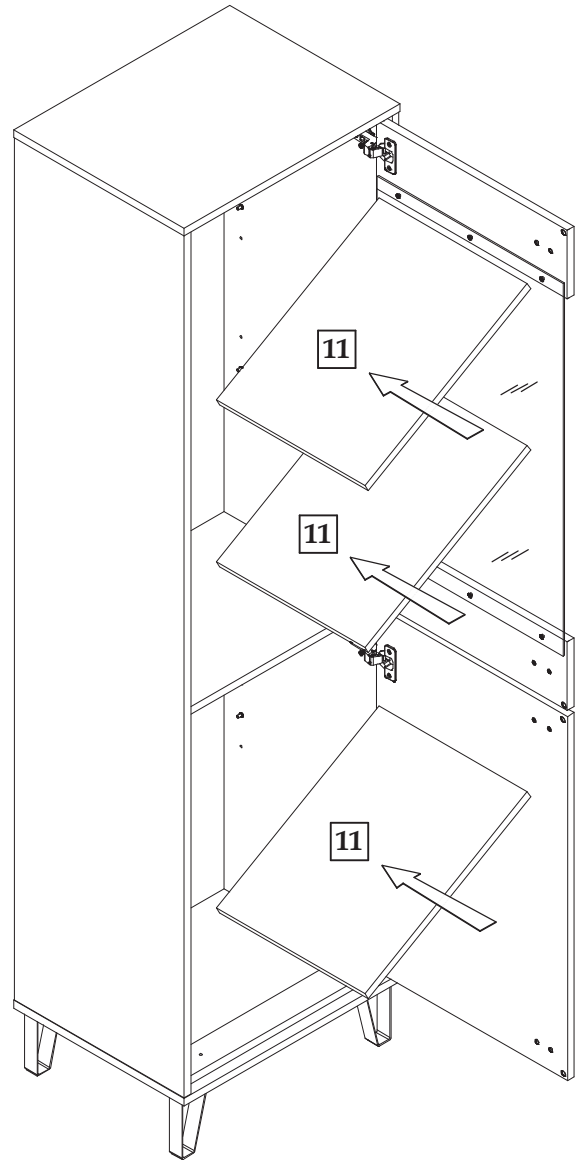
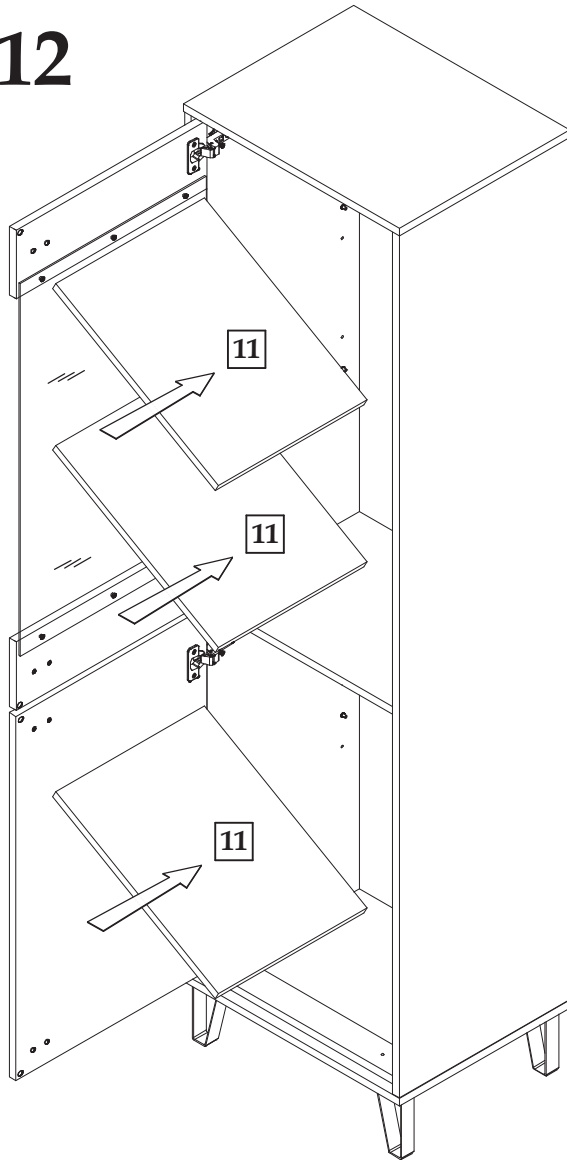


▶ 11





▶ 12



▶ 13

