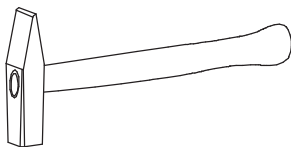
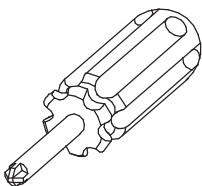
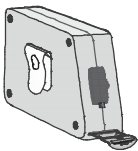
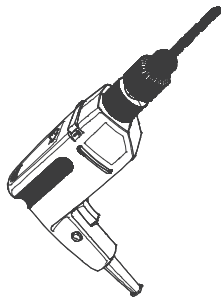
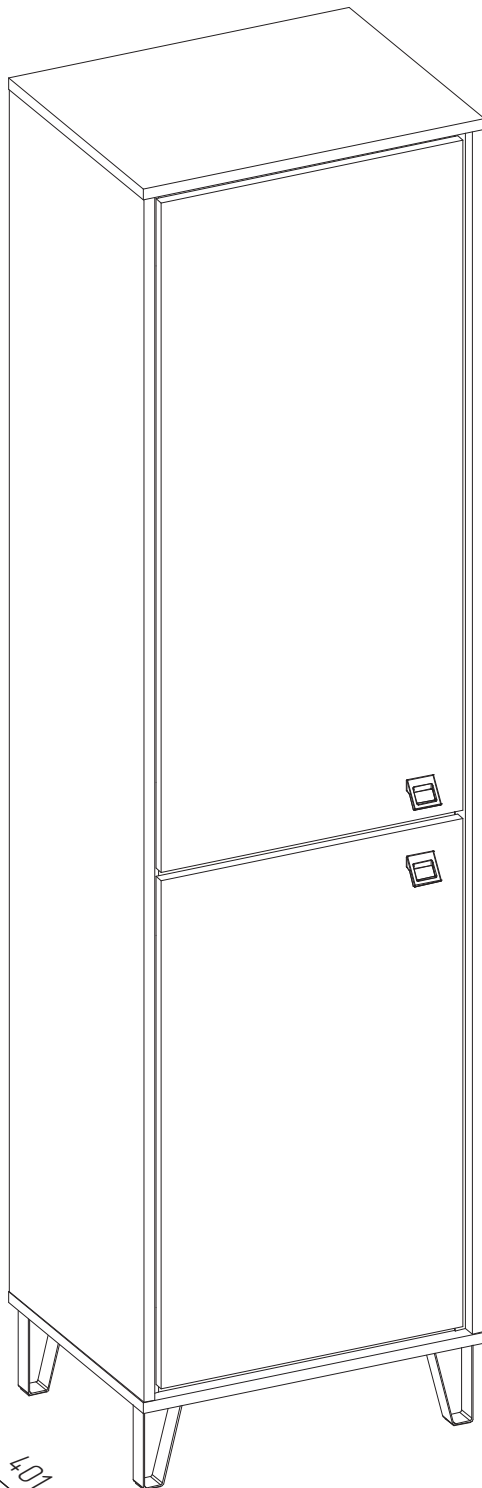


# TIRION V

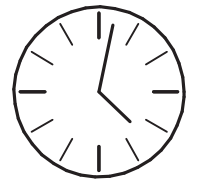
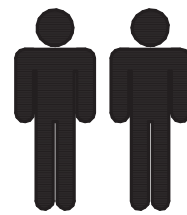


1915 mm

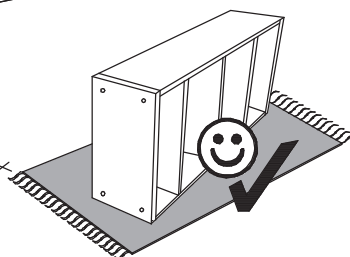
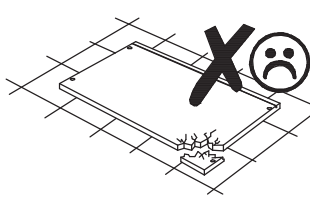
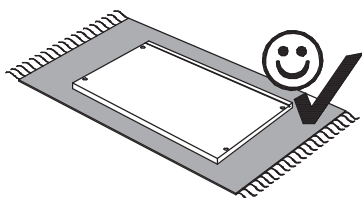
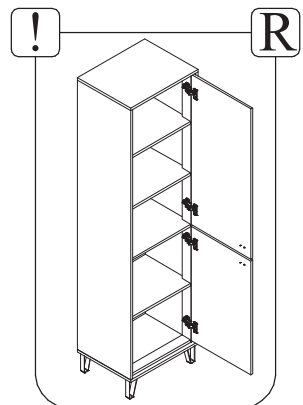
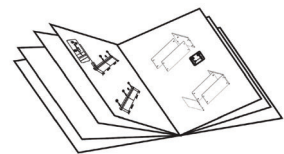
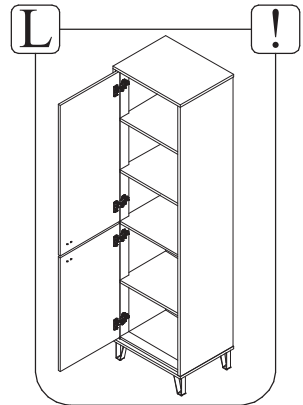


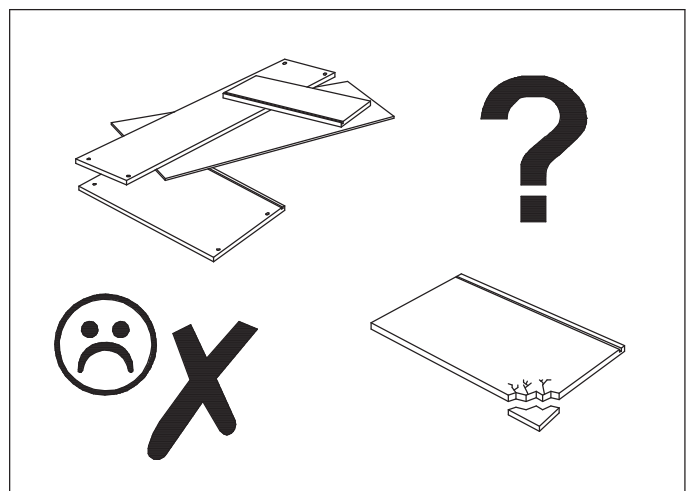
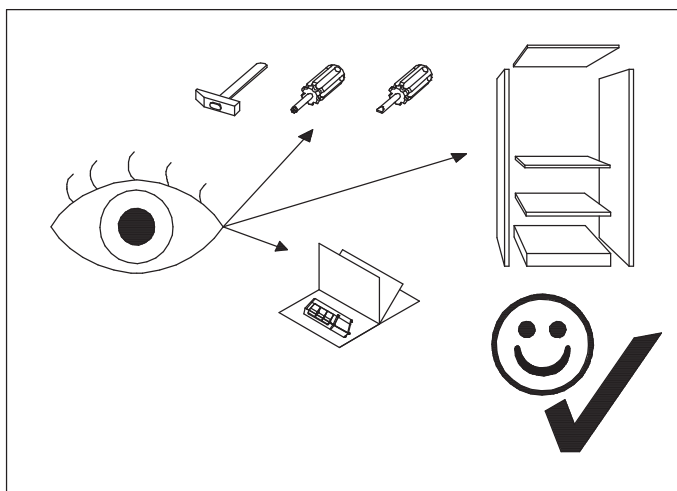
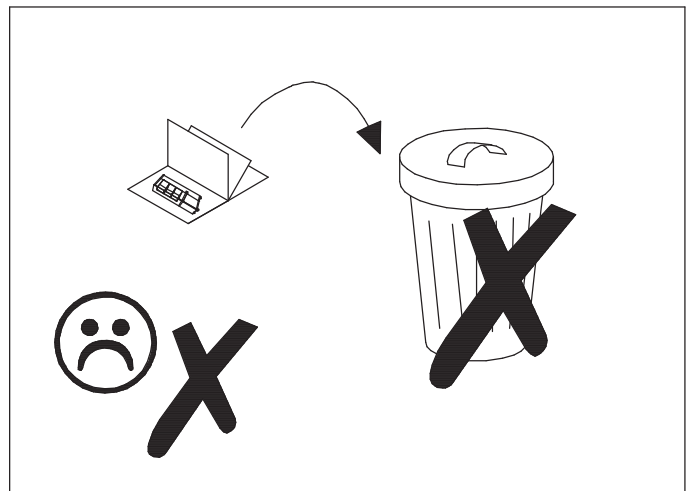
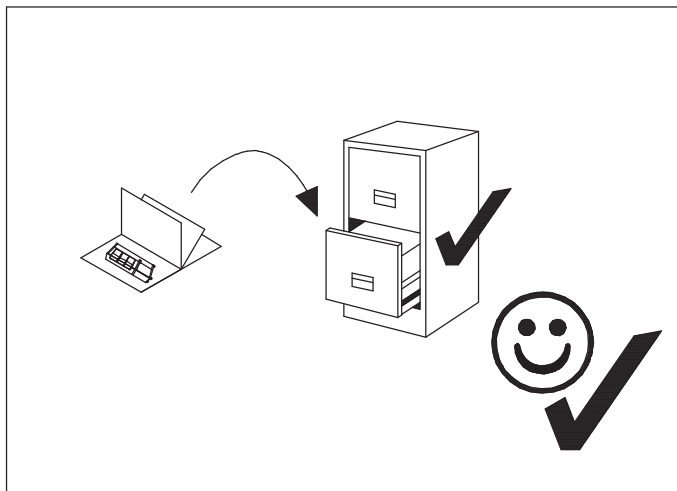
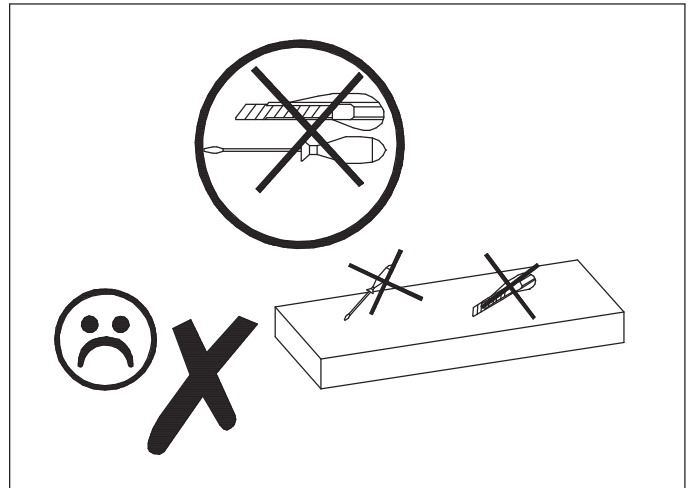
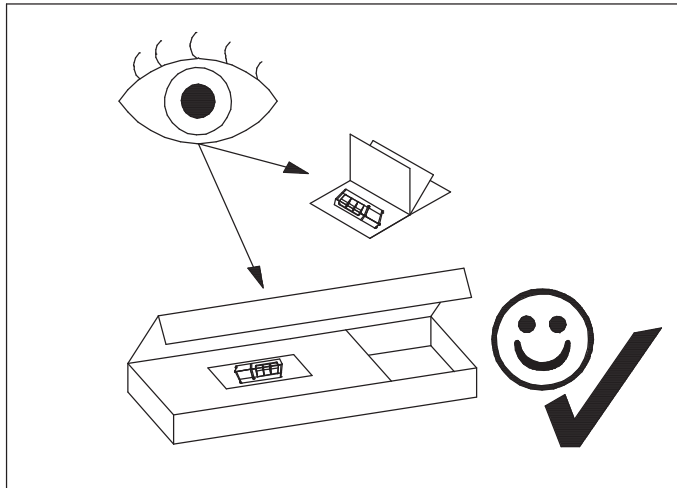
401 mm

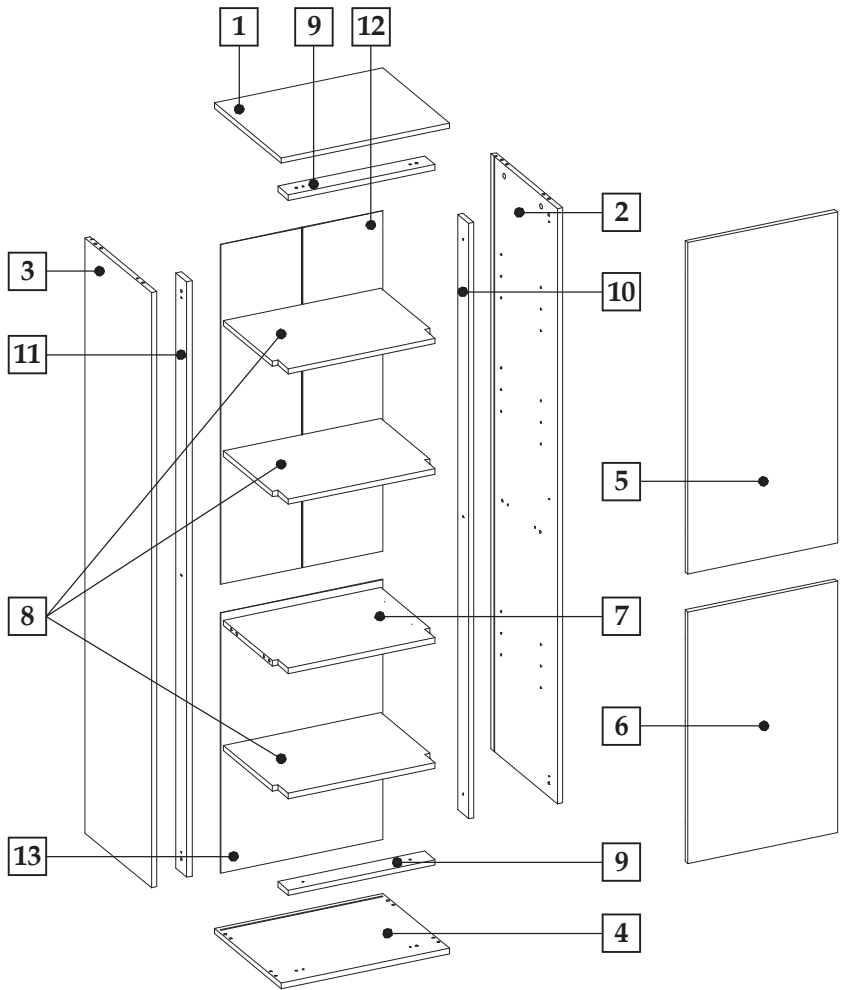
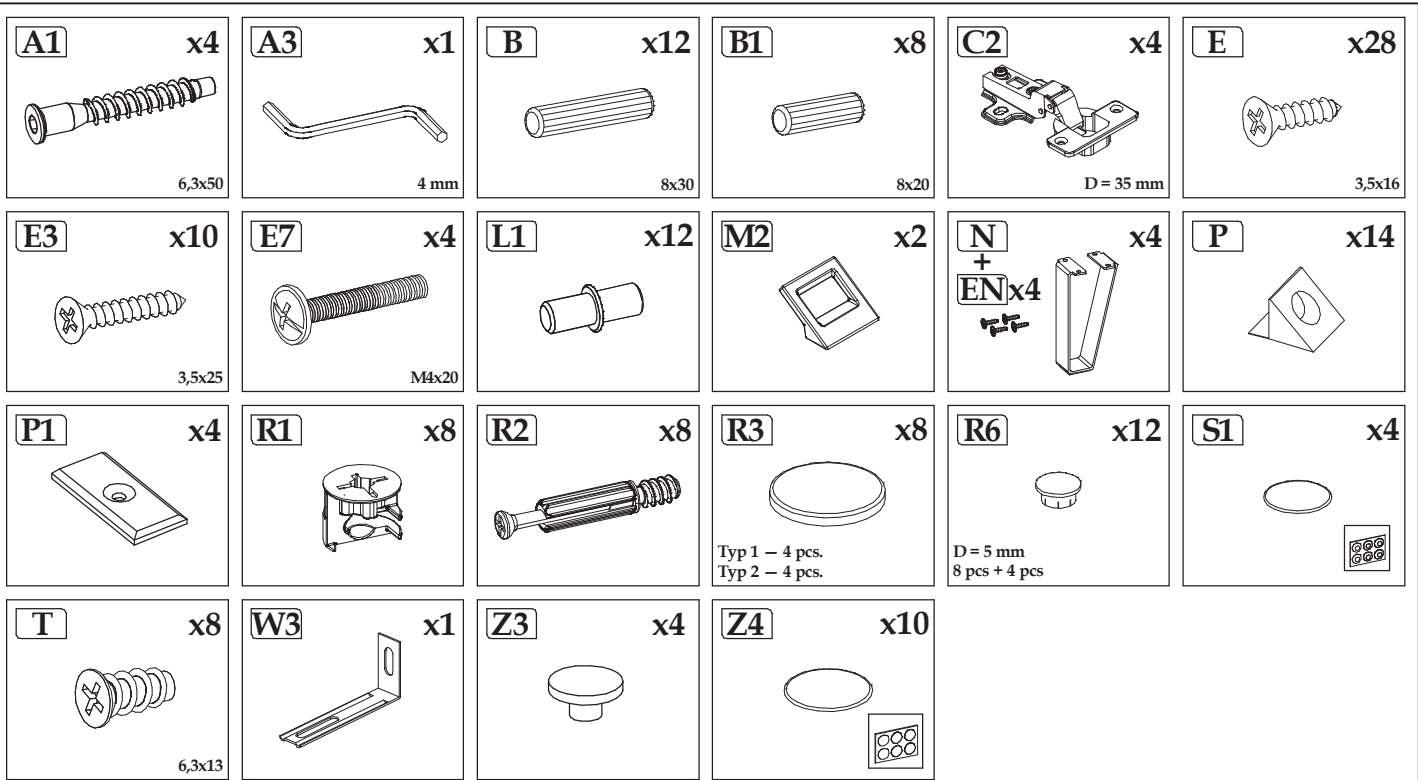
508 mm



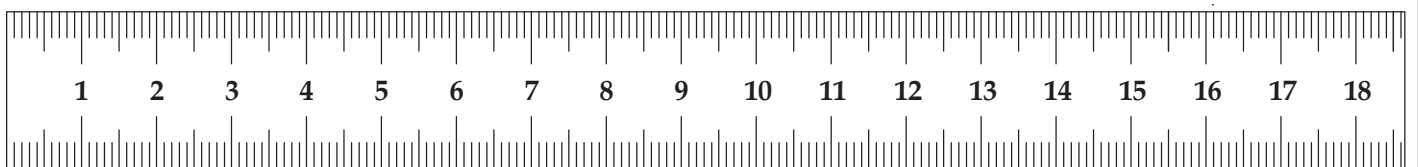
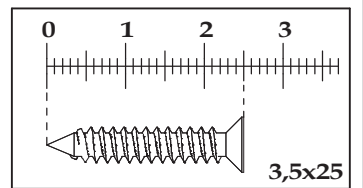
100 min

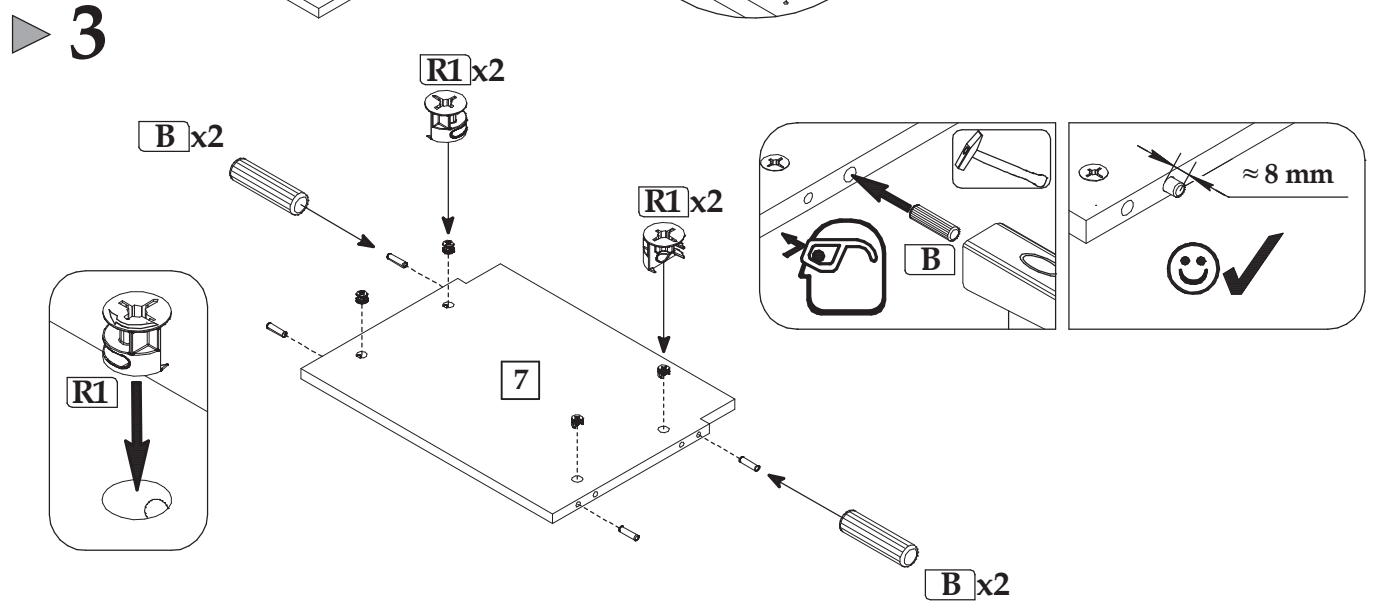
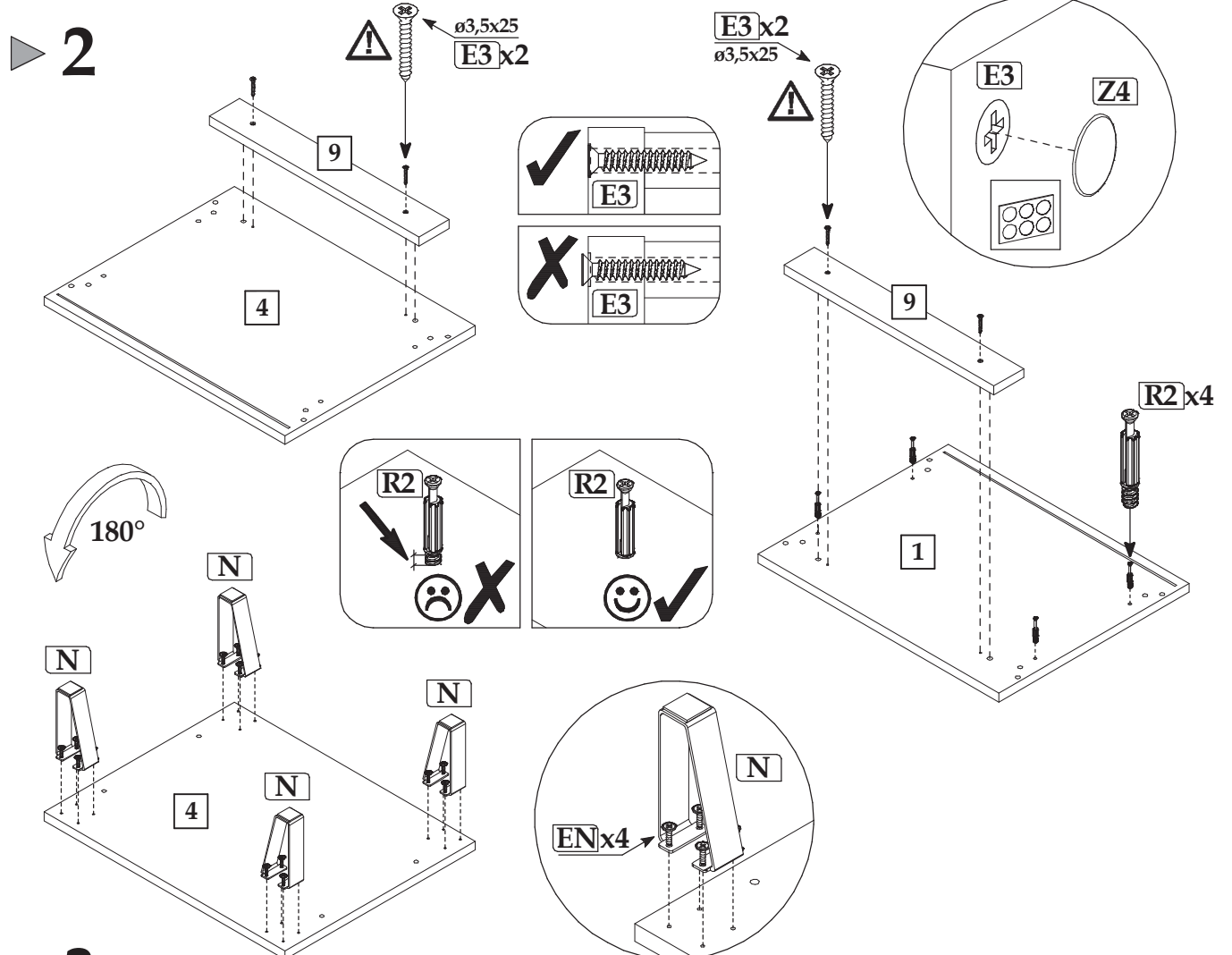
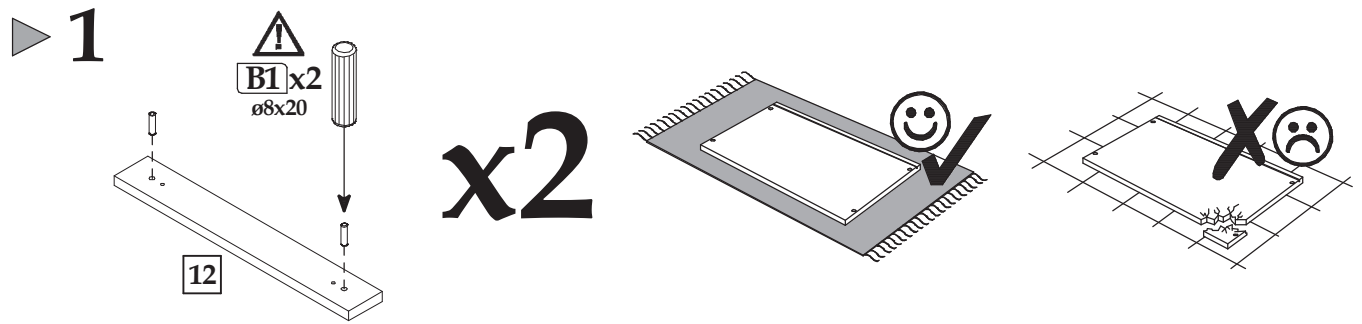




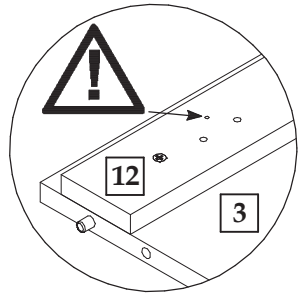
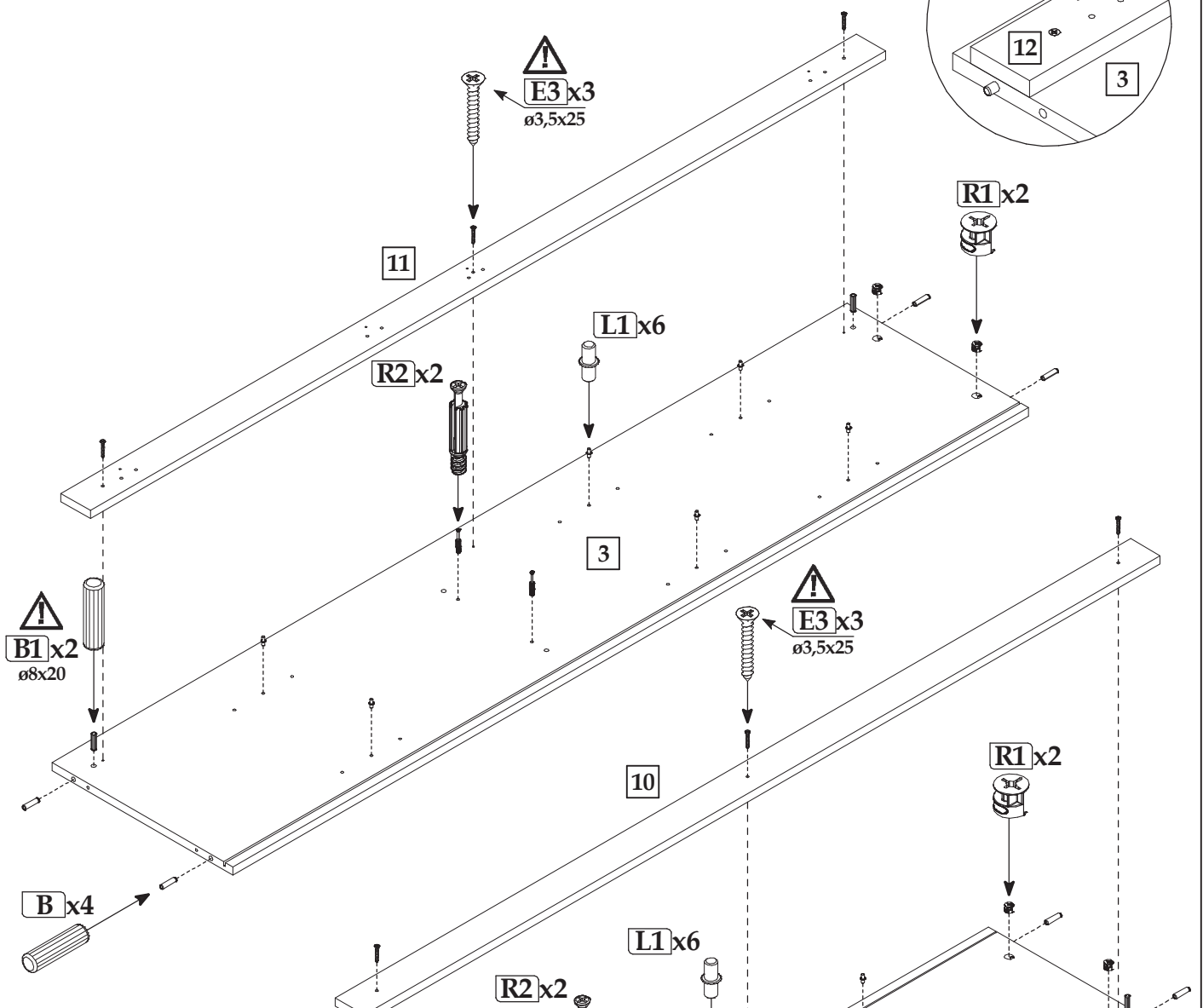


Element symbol	Measurements				Code	Pack
	508	401	16	1		
1	508	401	16	1	1004	1/ 2
2	1760	400	16	1	1001	1/ 2
3	1760	400	16	1	1002	1/ 2
4	508	401	16	1	1003	1/ 2
5	980	450	16	1	1015	2/ 2
6	744	450	16	1	1014	2/ 2
7	474	359	16	1	1007	1/ 2
8	474	359	16	3	N/ A	1/ 2
9	442	64	16	2	1012/ 1013	2/ 2
10	1760	65	16	1	1010	1/ 2
11	1760	65	16	1	1011	1/ 2
12	1005	246	3	2	N/ A	1/ 2
13	766	488	3	1	N/ A	2/ 2

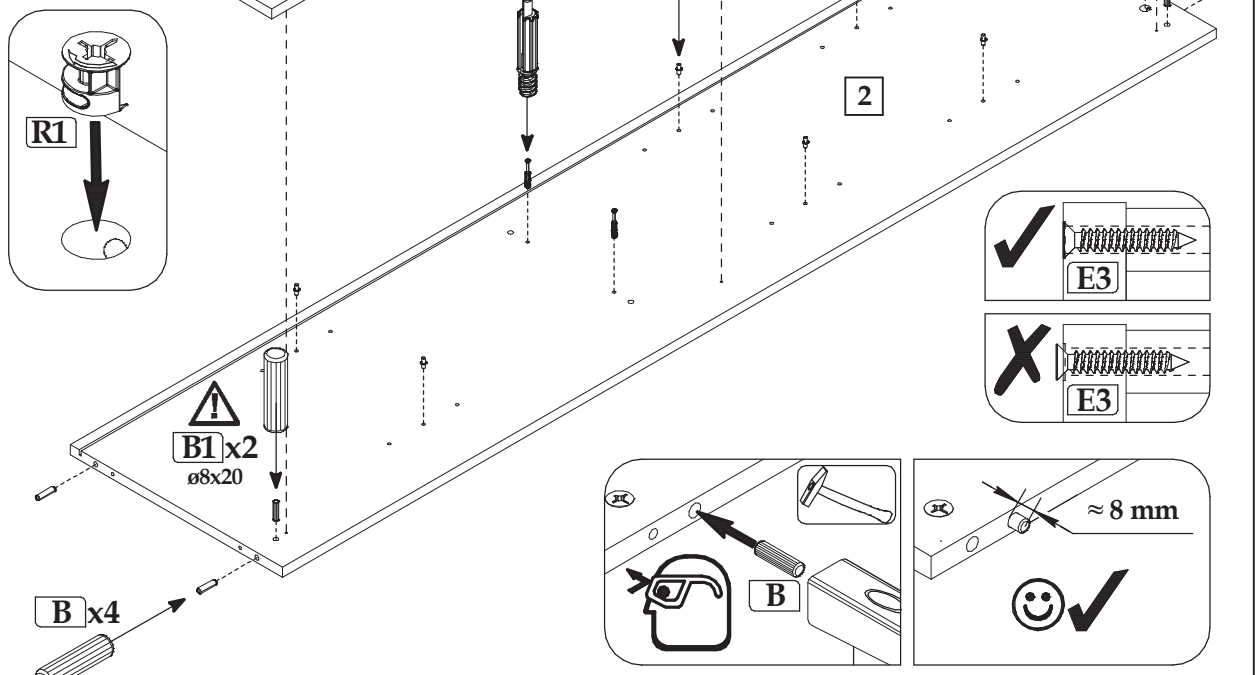


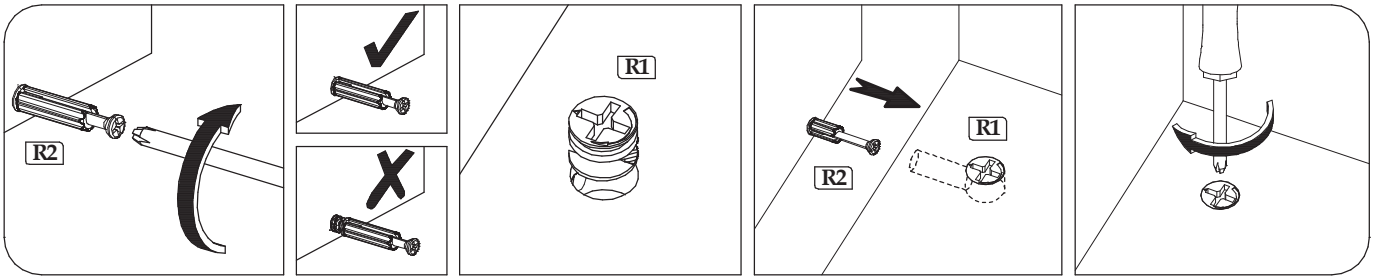


# 4

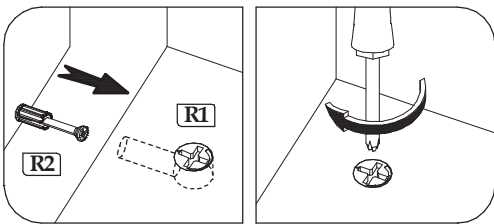
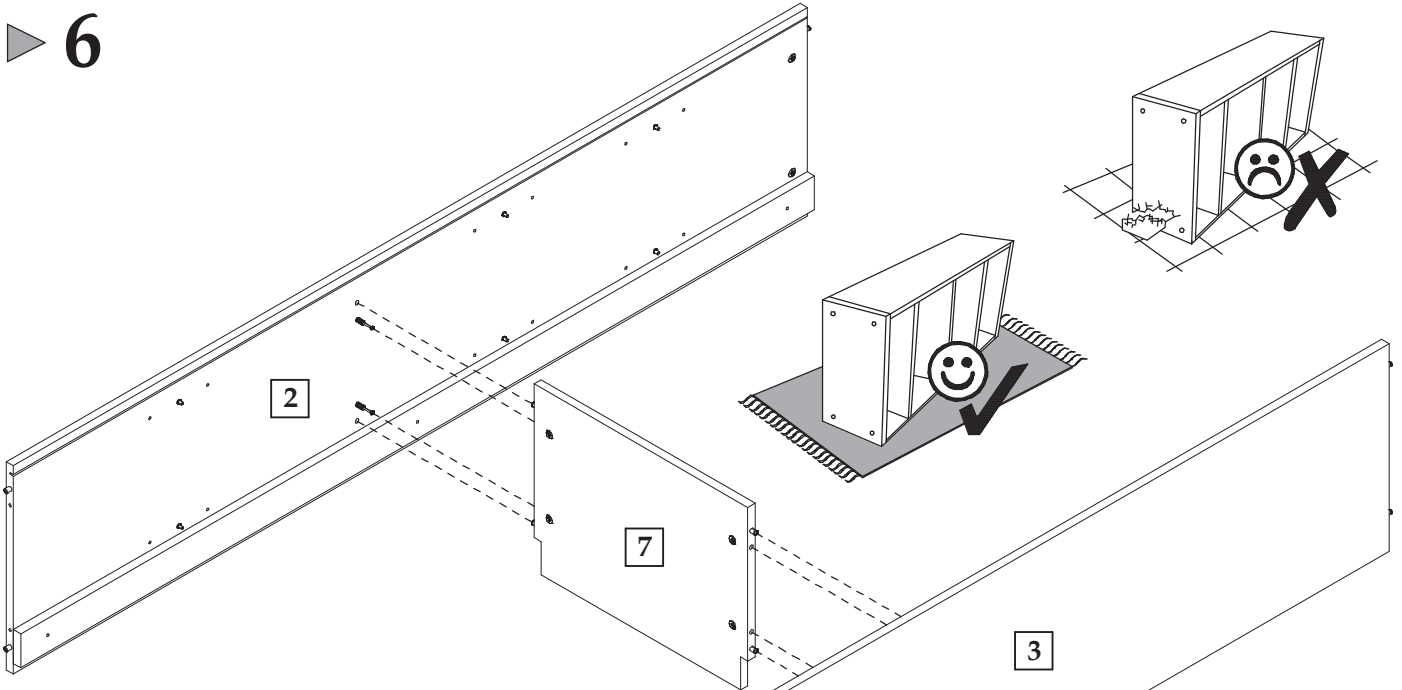


# 5

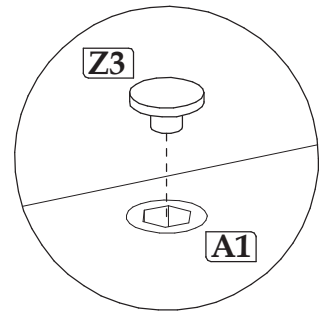
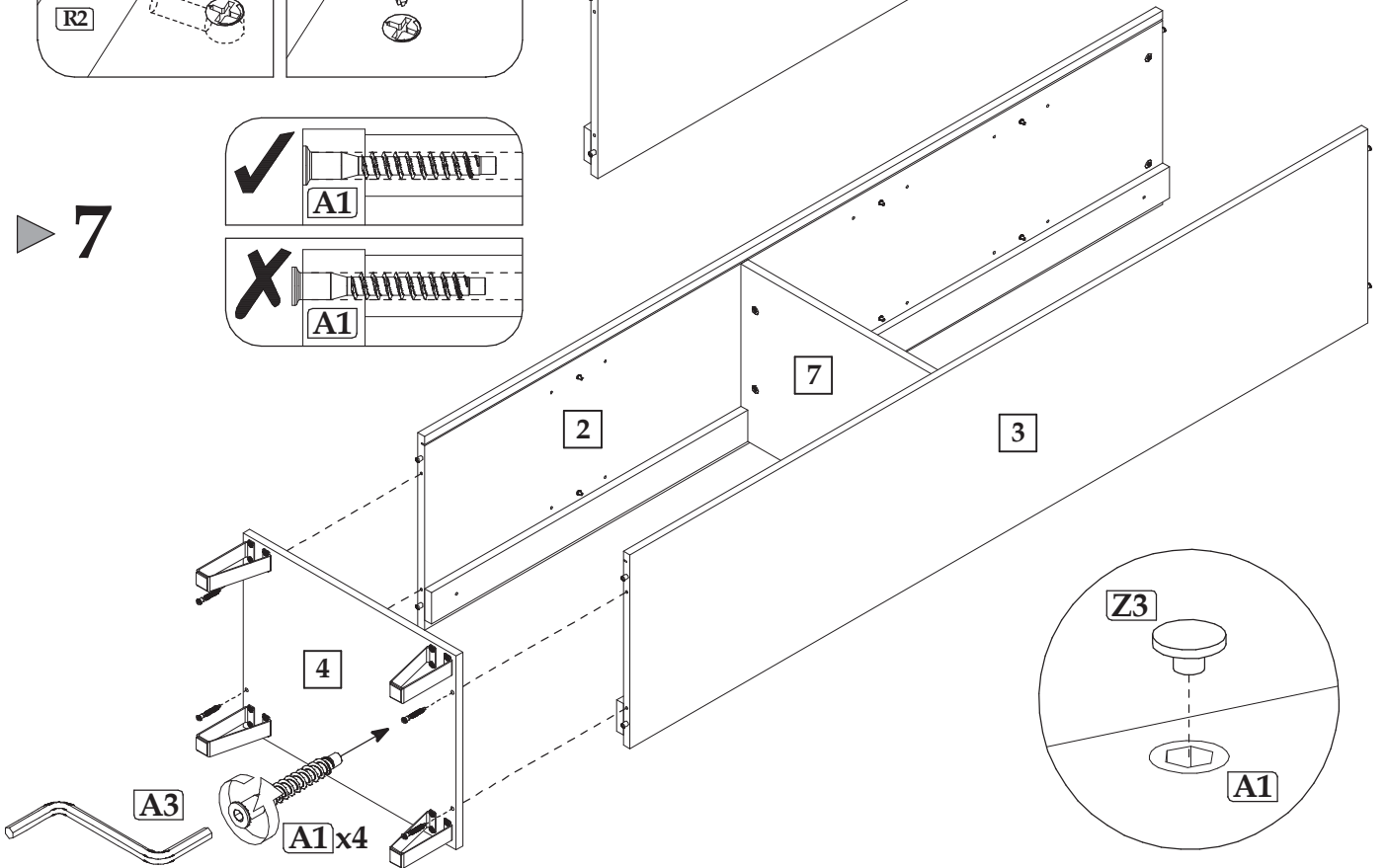
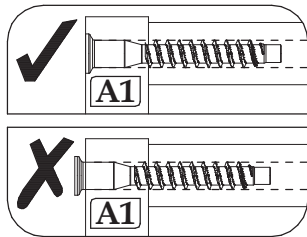




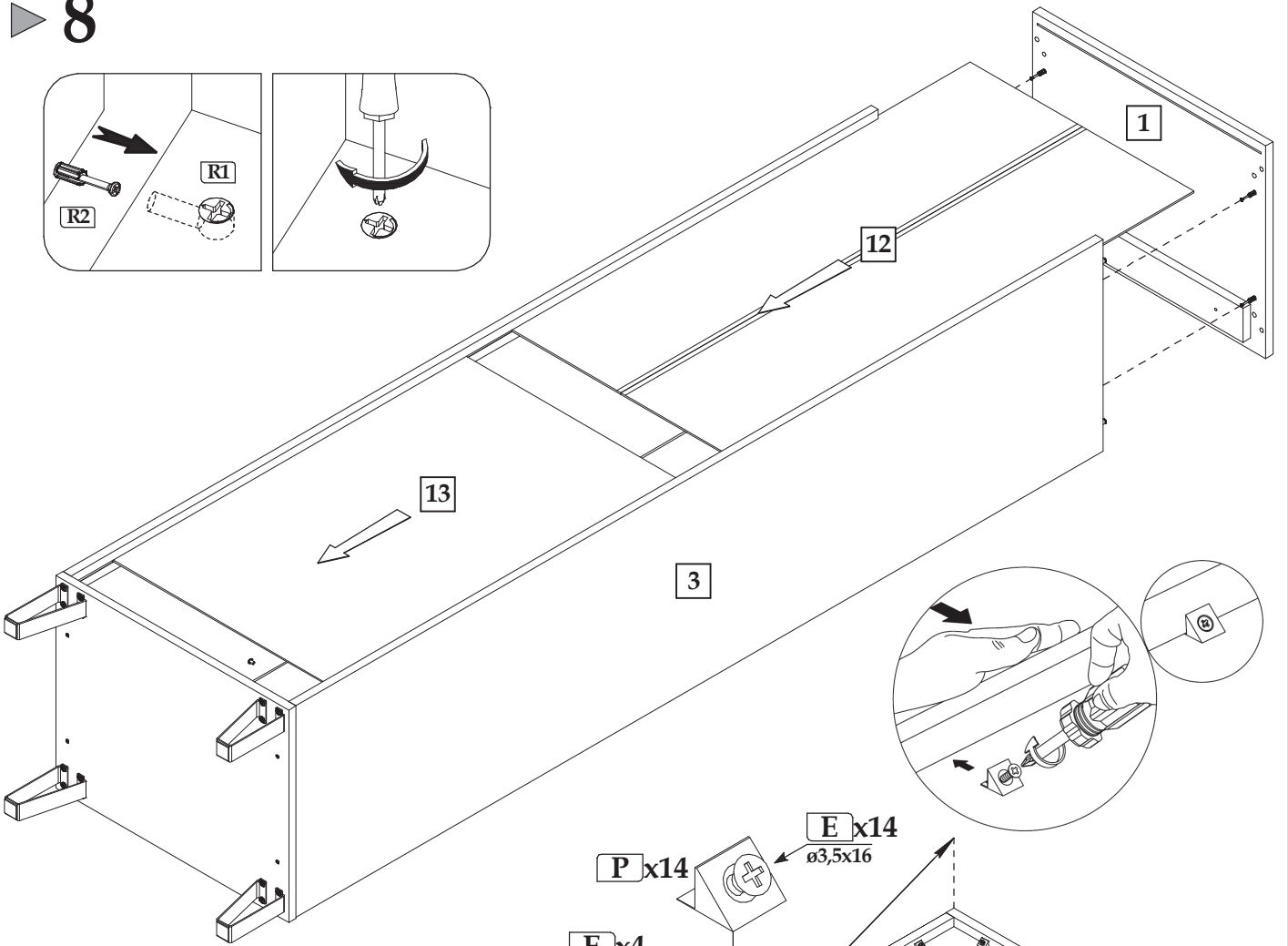
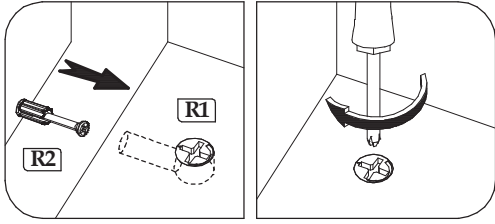
▶ 6



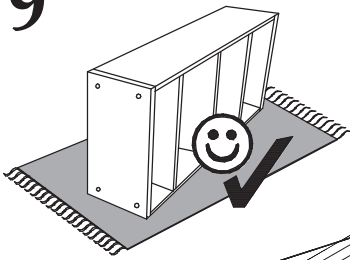
▶ 7



8



9



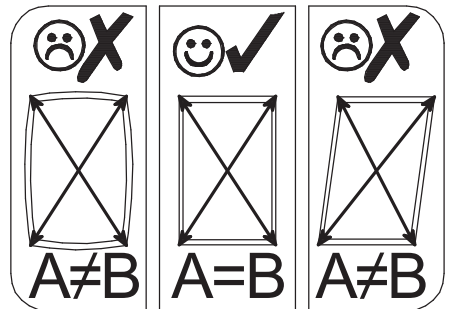
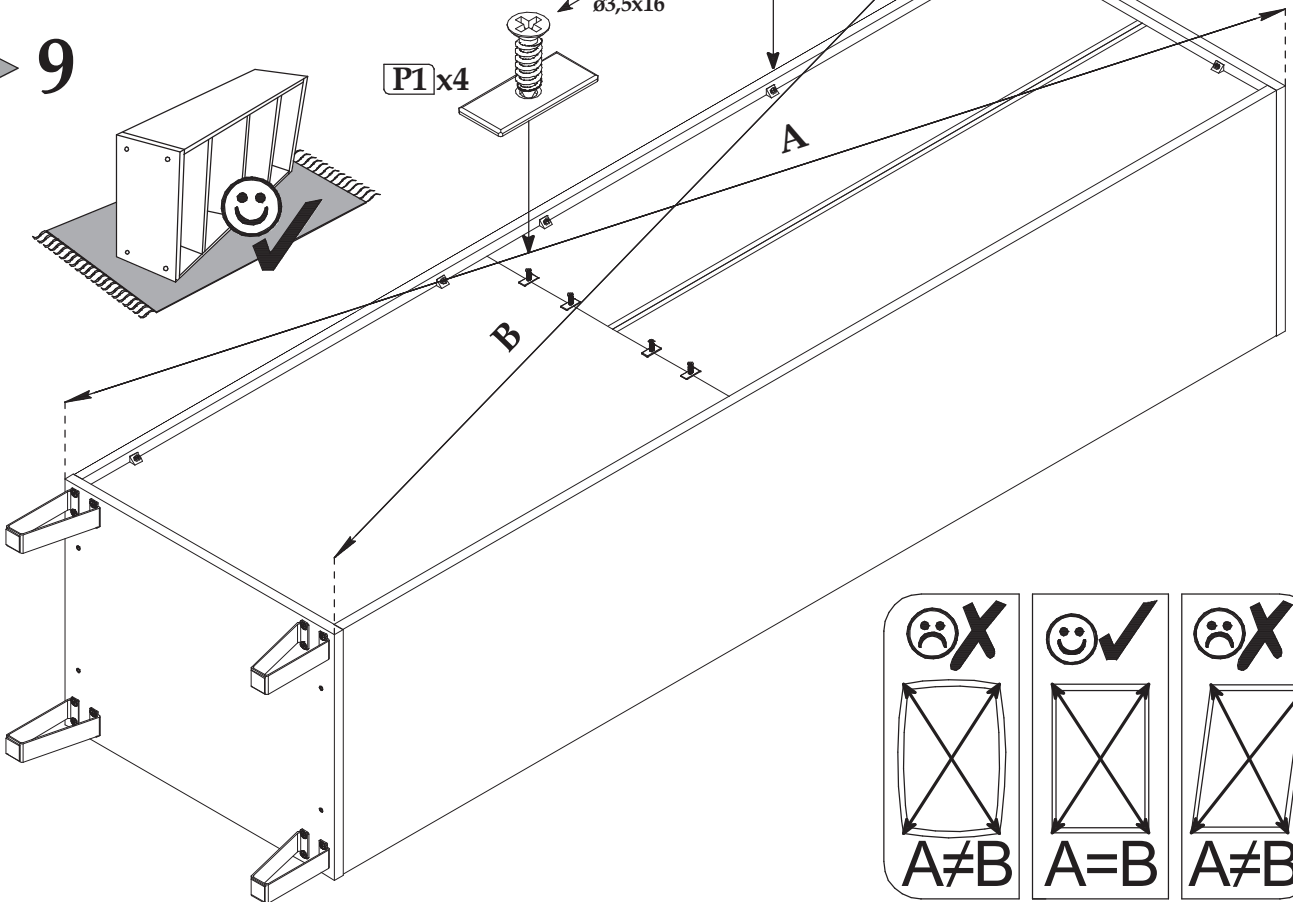
E x4  
ø3,5x16

P x14

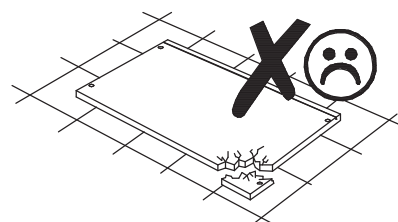
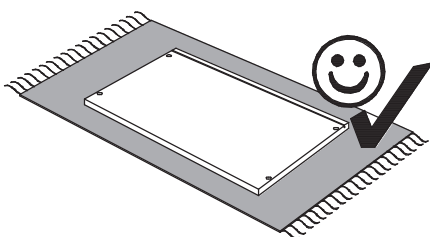
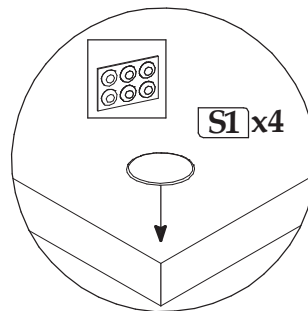
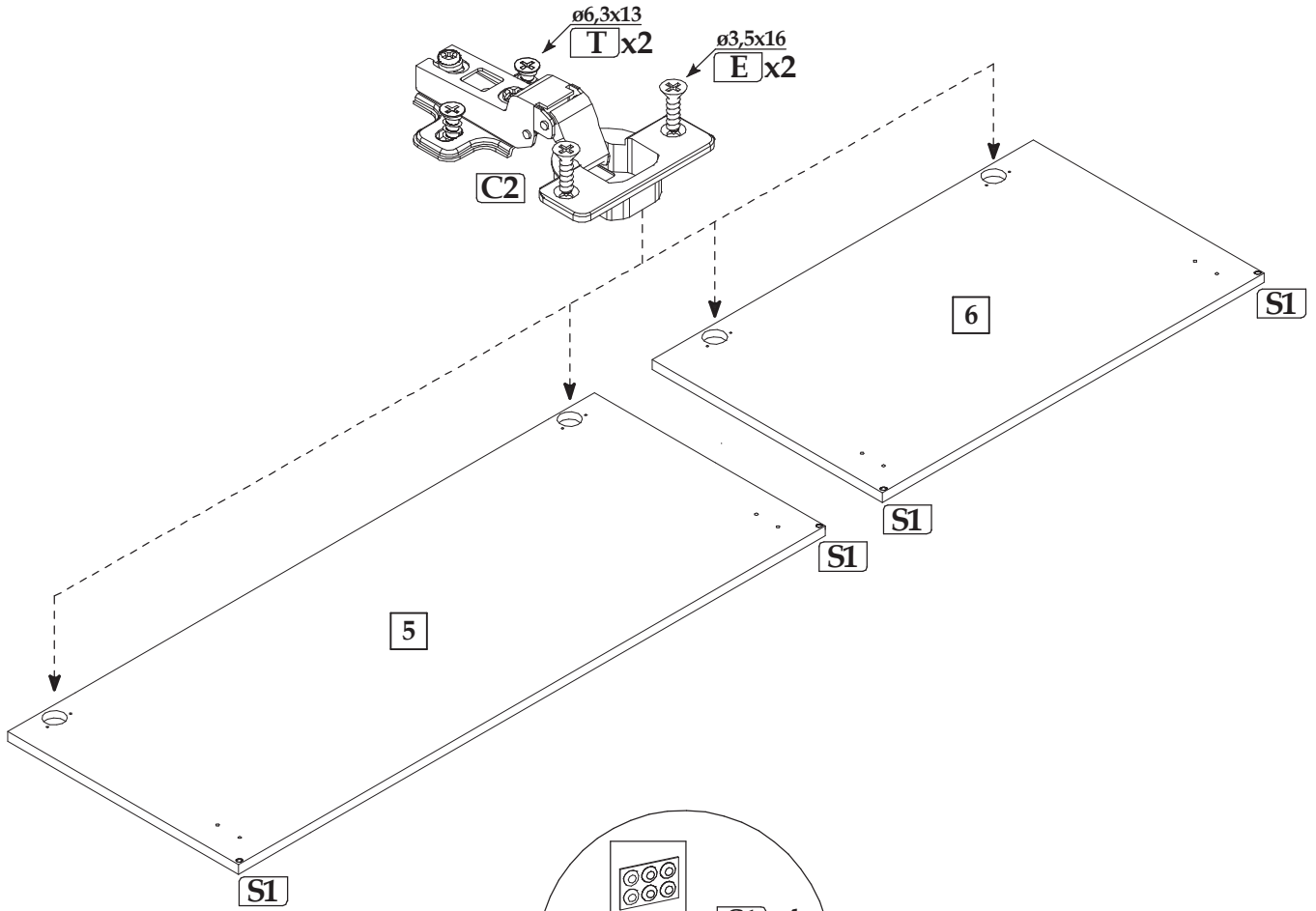
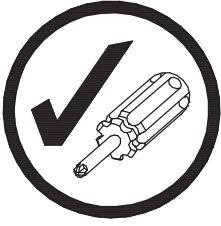
E x14  
ø3,5x16

A

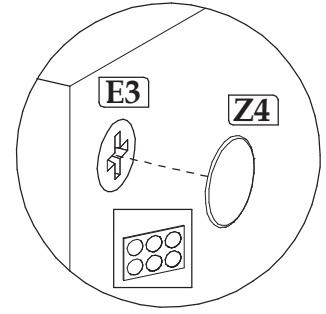
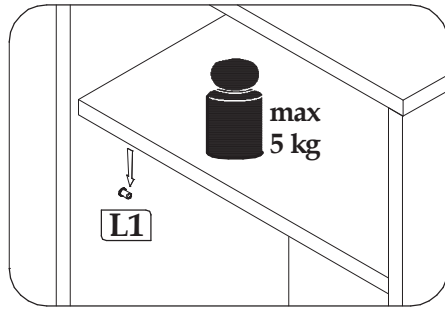
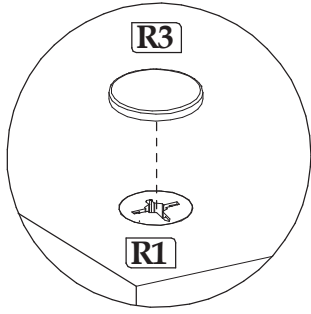
B



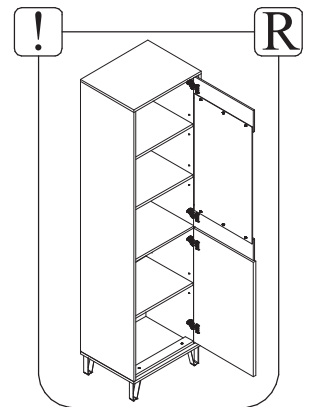
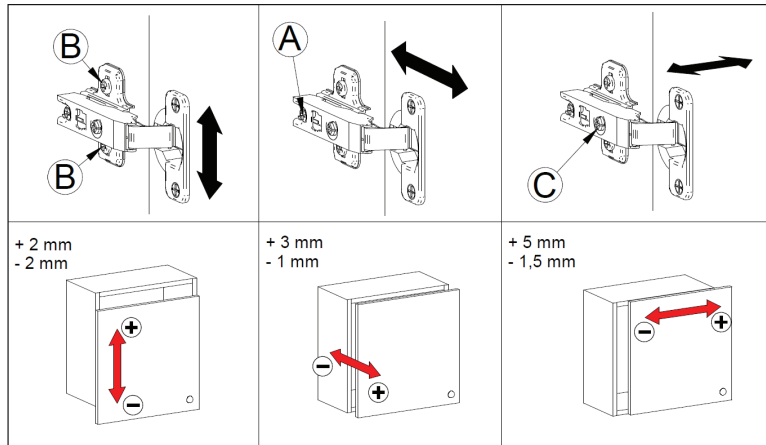
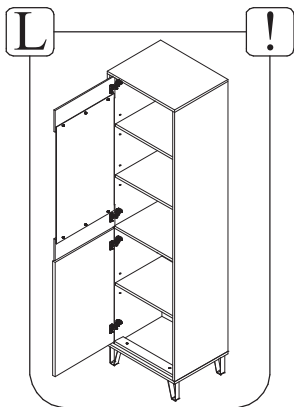
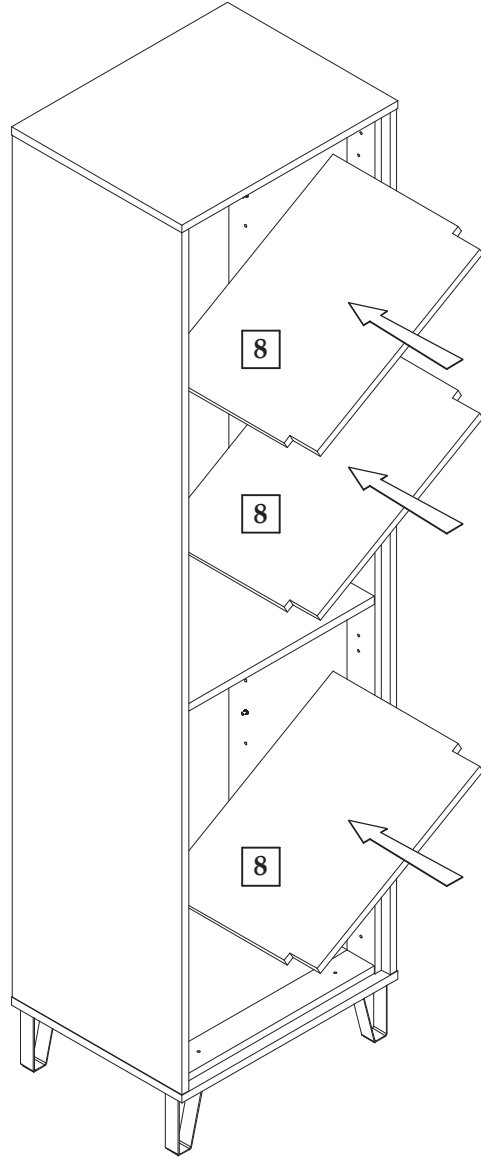
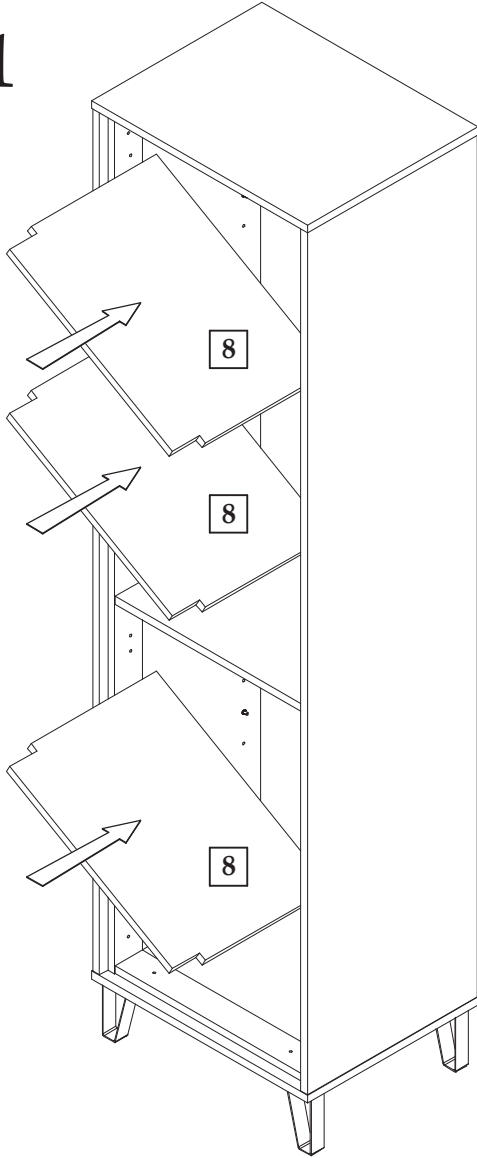
▶ 10



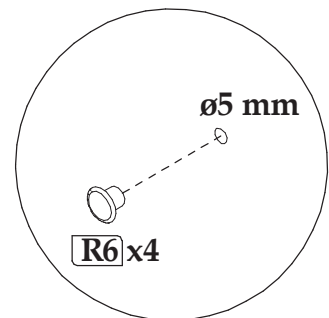
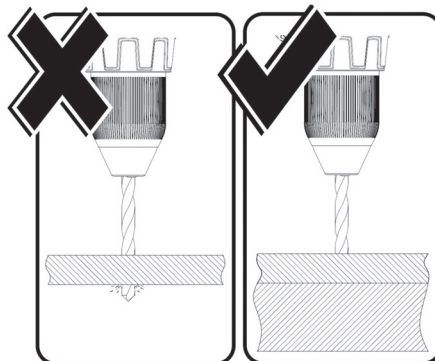
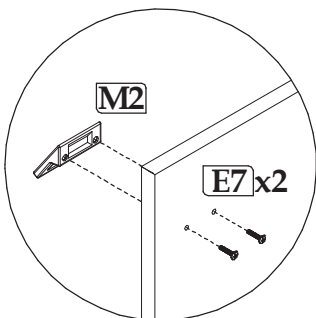
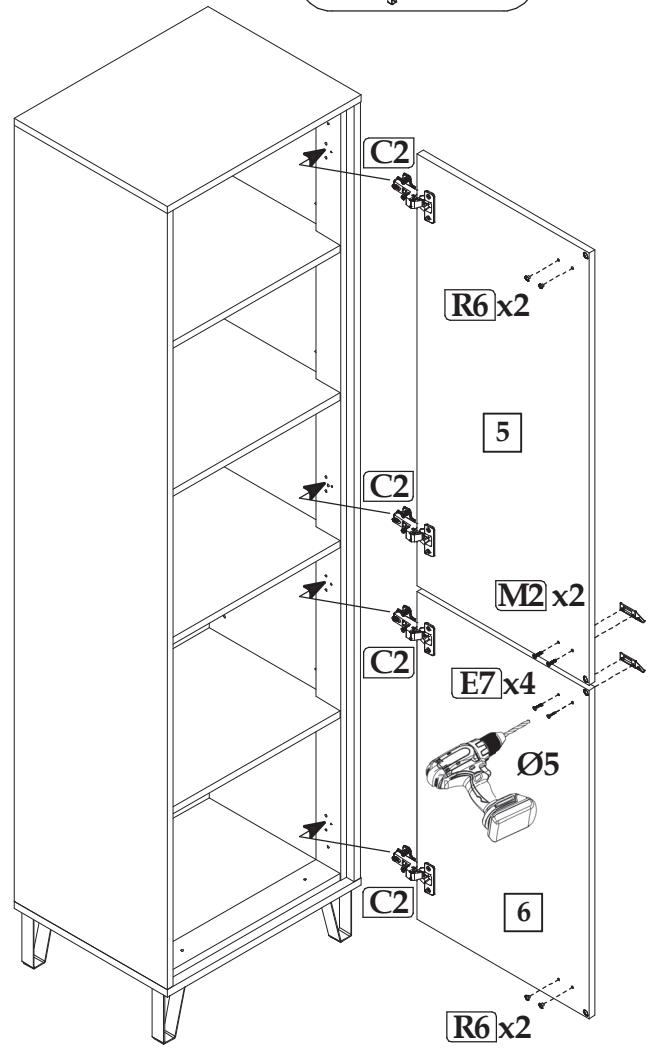
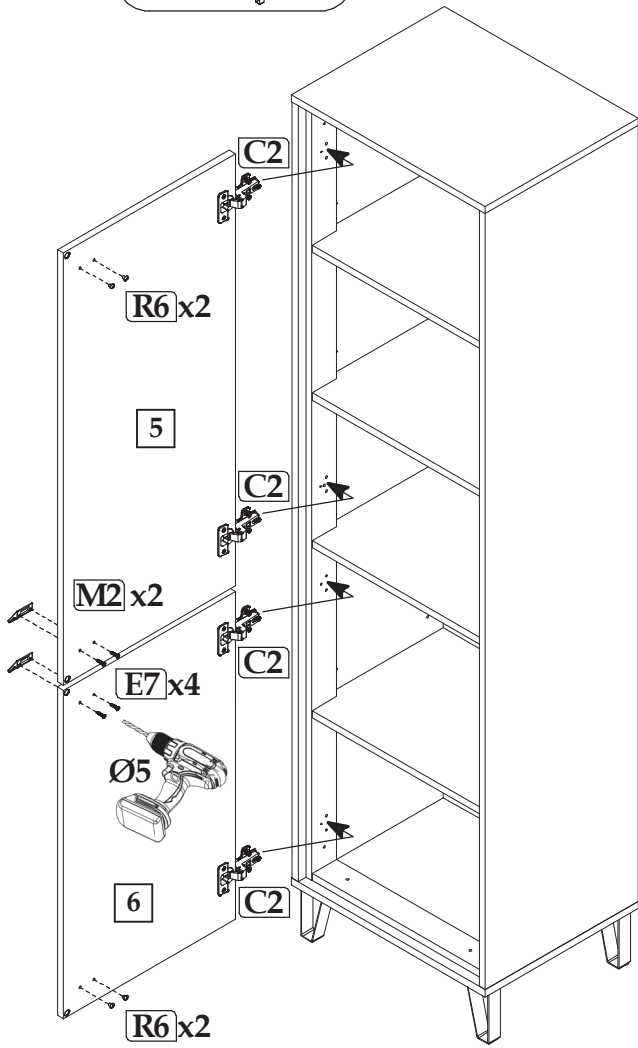
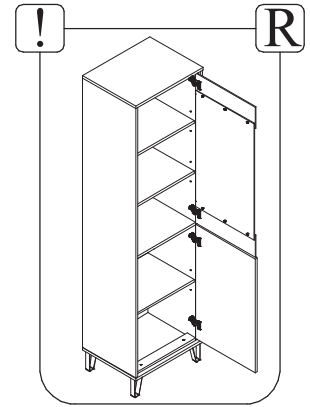
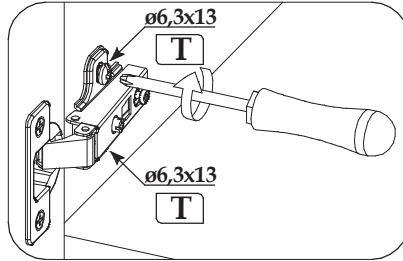
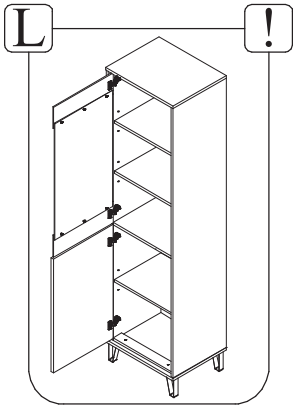




► 11



# ▶ 12



▶ 13

