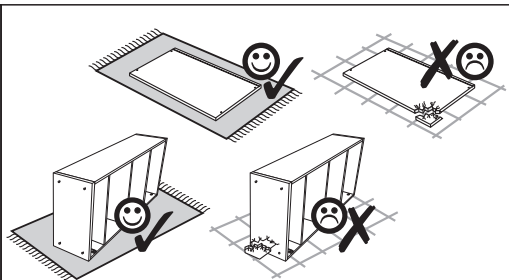
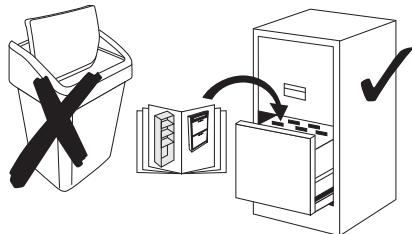
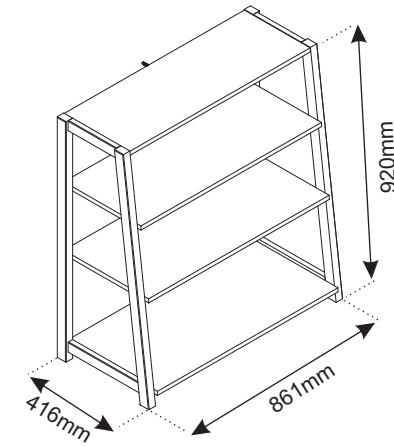
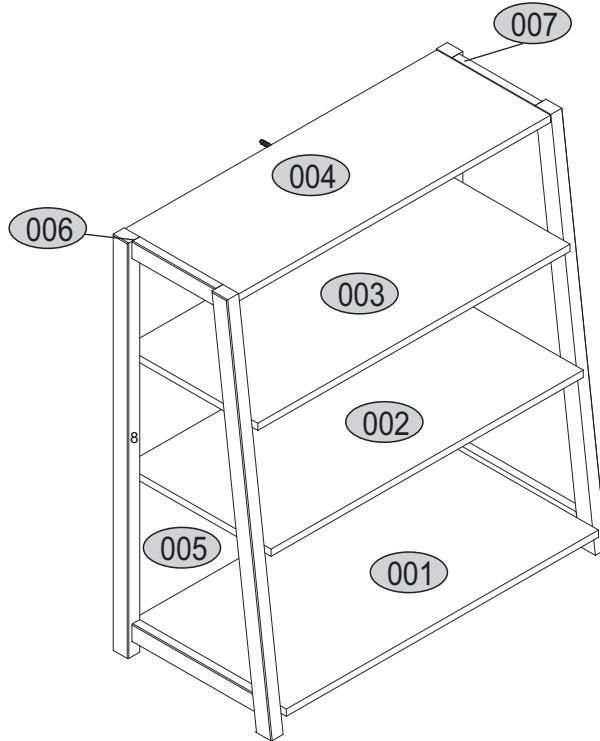
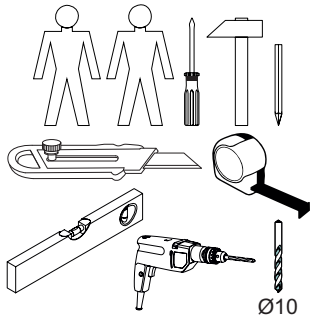
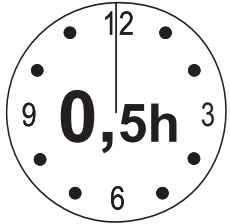










Installation manual

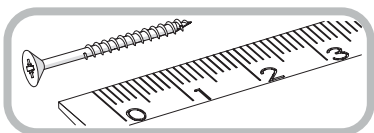
STEKA Shelving Stand low



Code	Dimensions				Package
001	801	415	16	1	1/2
002	801	376	16	1	1/2
003	801	342	16	1	1/2
004	801	292	16	1	1/2
005	319	801	16	1	1/2
006	925	405	30	1	2/2
007	925	405	30	1	2/2
accessories				1	1/2

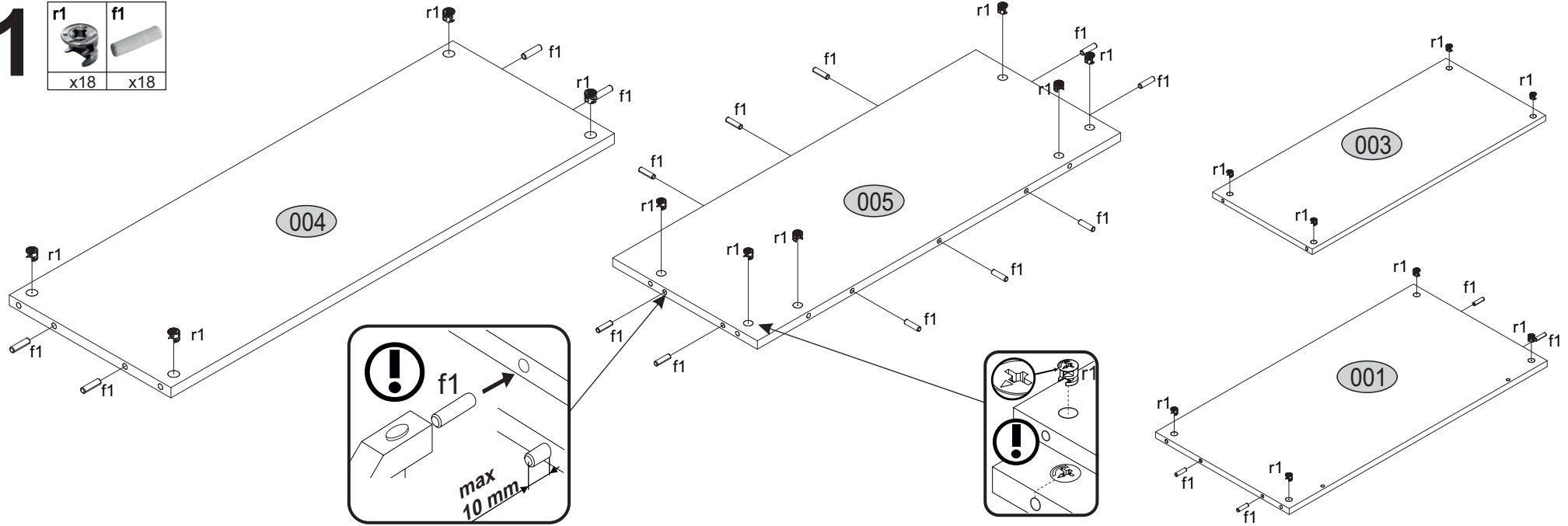
Accessories:

<p>2x e1 Ø7x50</p> 	<p>18x f1 Ø8x30</p> 	<p>1x f3</p> 	<p>1x n14</p> 
<p>1x p17 Ø6x50</p> 	<p>2x p25 Ø3.5x16</p> 	<p>22x r1 15x12</p> 	<p>22x r16 Ø5x24</p> 
<p>18x s2</p> 	<p>1x z1</p> 		



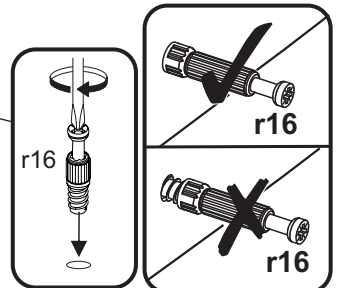
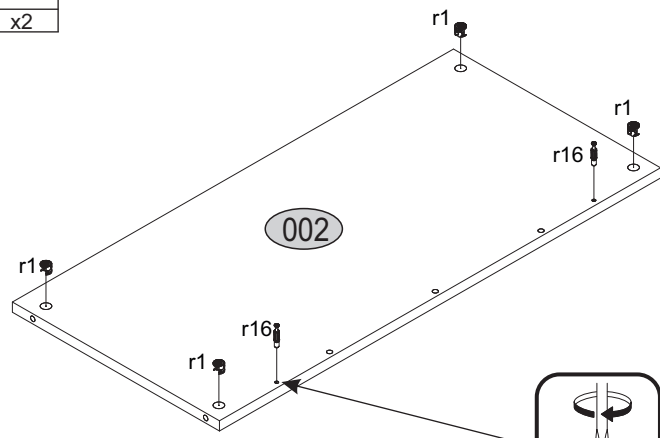
1

r1	f1
x18	x18



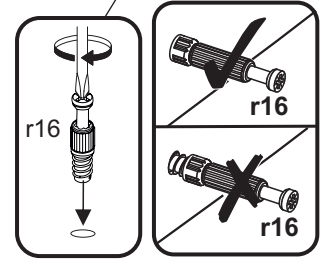
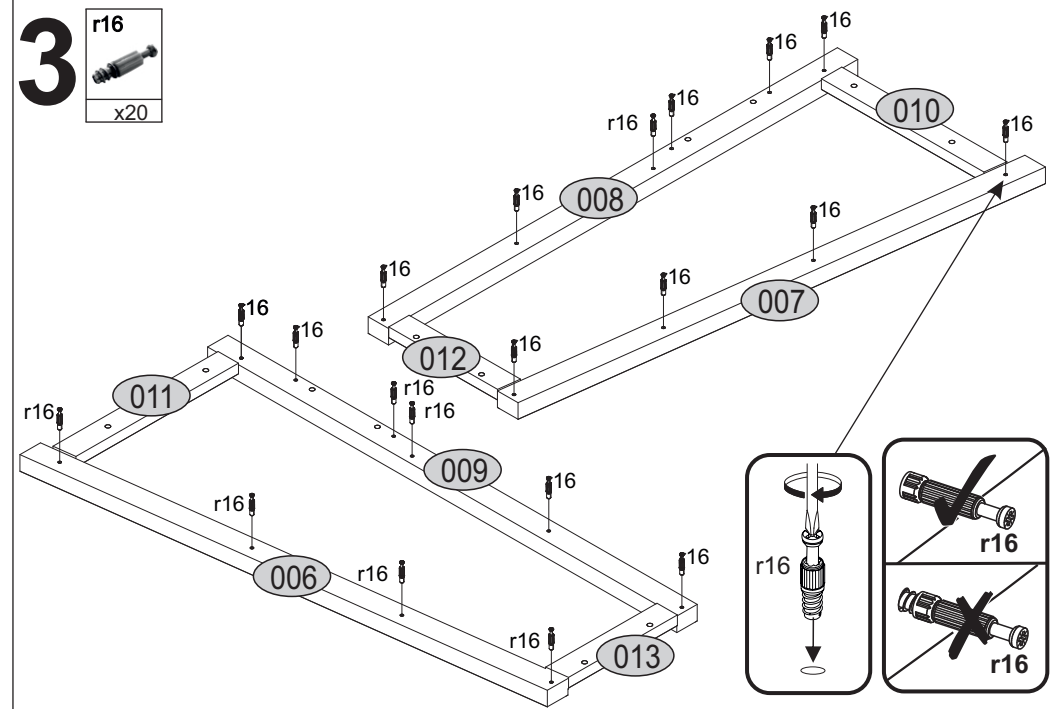
2

r1	r16
x4	x2

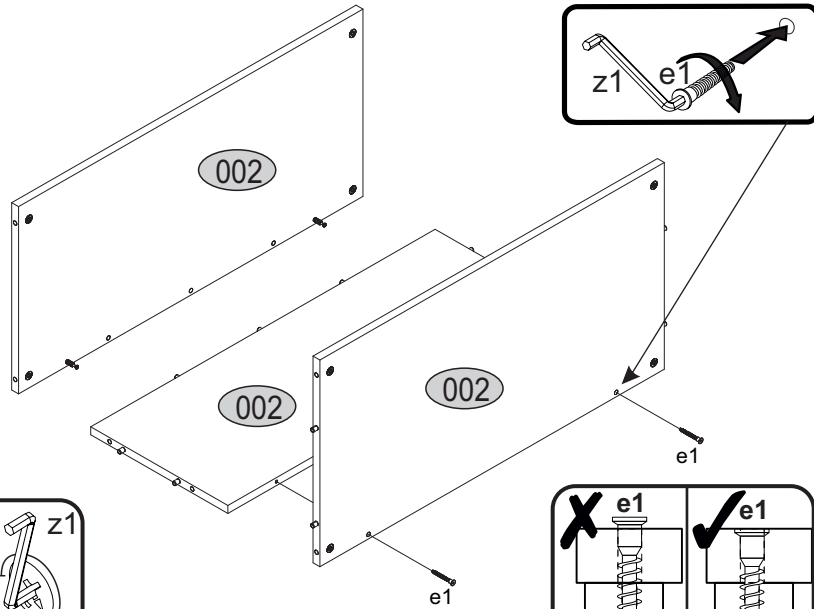
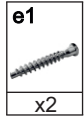


3

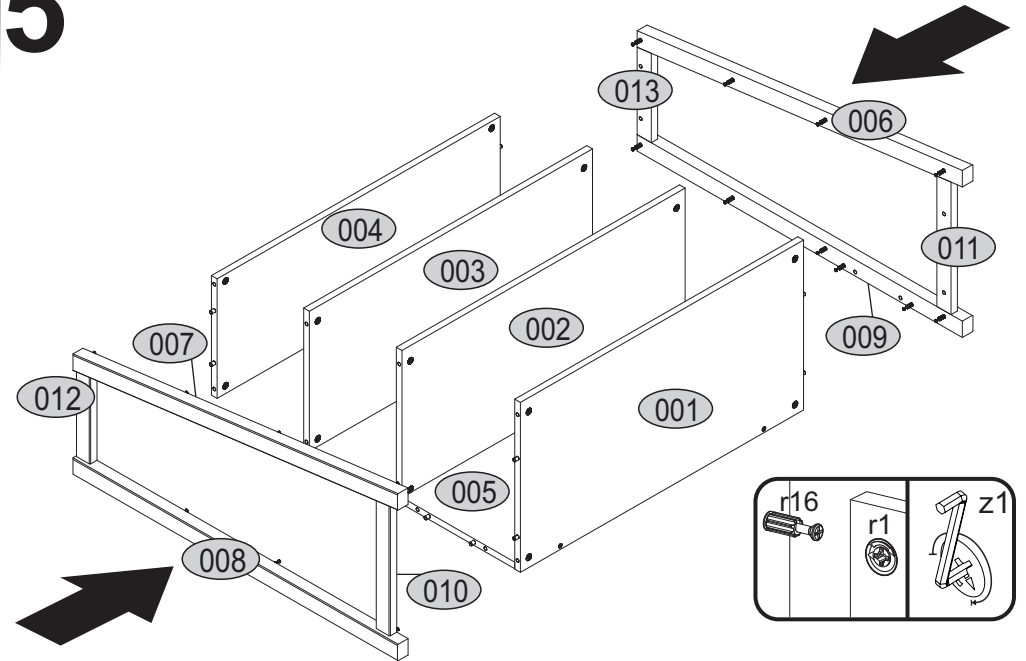
r16
x20



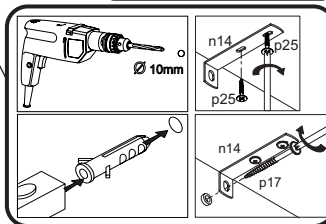
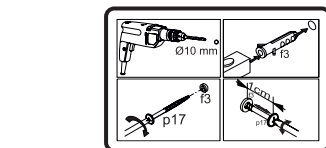
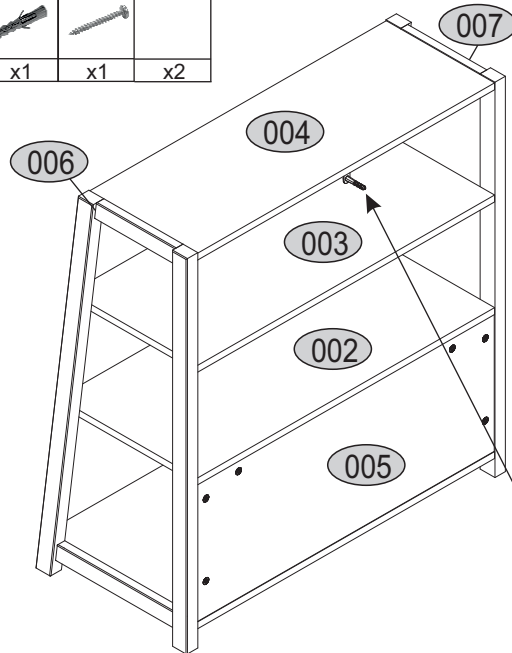
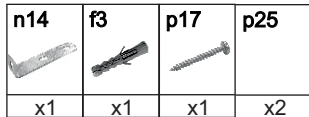
4



5



6



7

