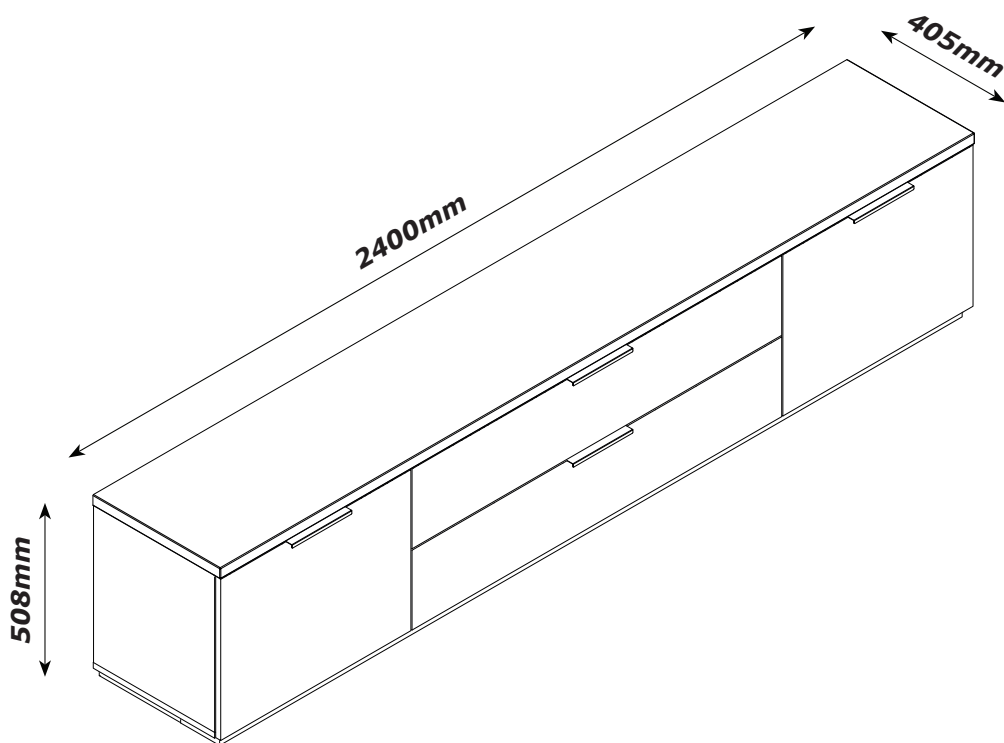


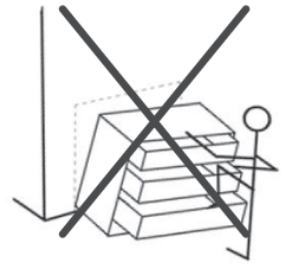
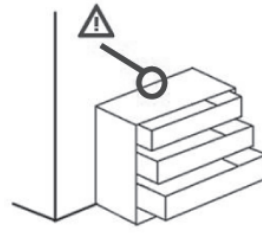
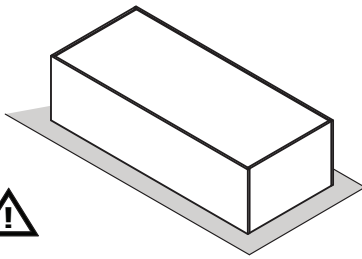
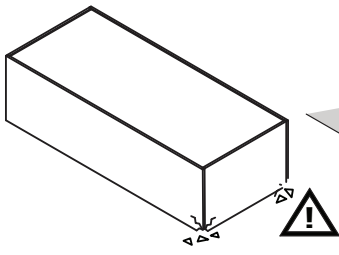
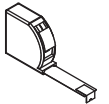
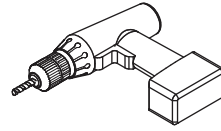
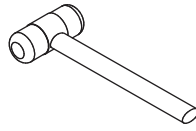
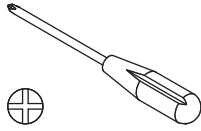
TV0375K76805



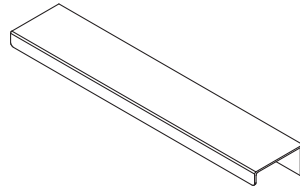
QF6048



2h

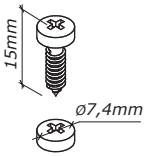


BU4905

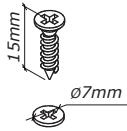


M94
x4

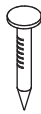
BU4784



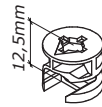
V81
x8



V5
x34



H15
x8



T7
x12



R40
x8



H54
x27



G31
x8



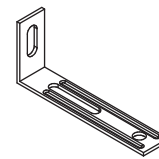
H2
x22



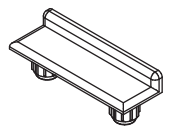
H113
x4



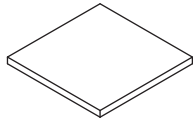
H129
x4



H185
x2



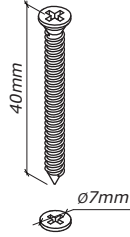
H114
x2



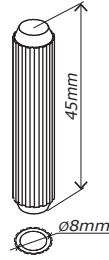
H233
x8



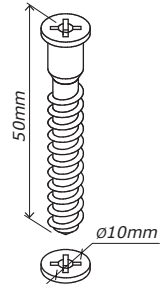
T28
x12



V6
x11

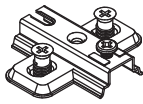


H325
x20

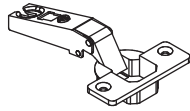


V45
x8

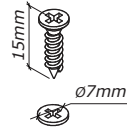
BU2782



B30
x4

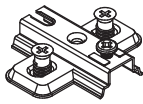


C66
x4

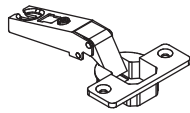


V5
x8

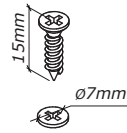
BU4211 X2



B30
x3

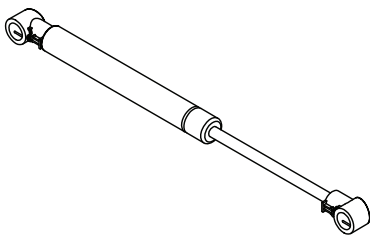


C66
x3

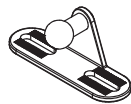


V5
x6

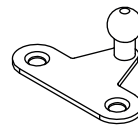
BU4739



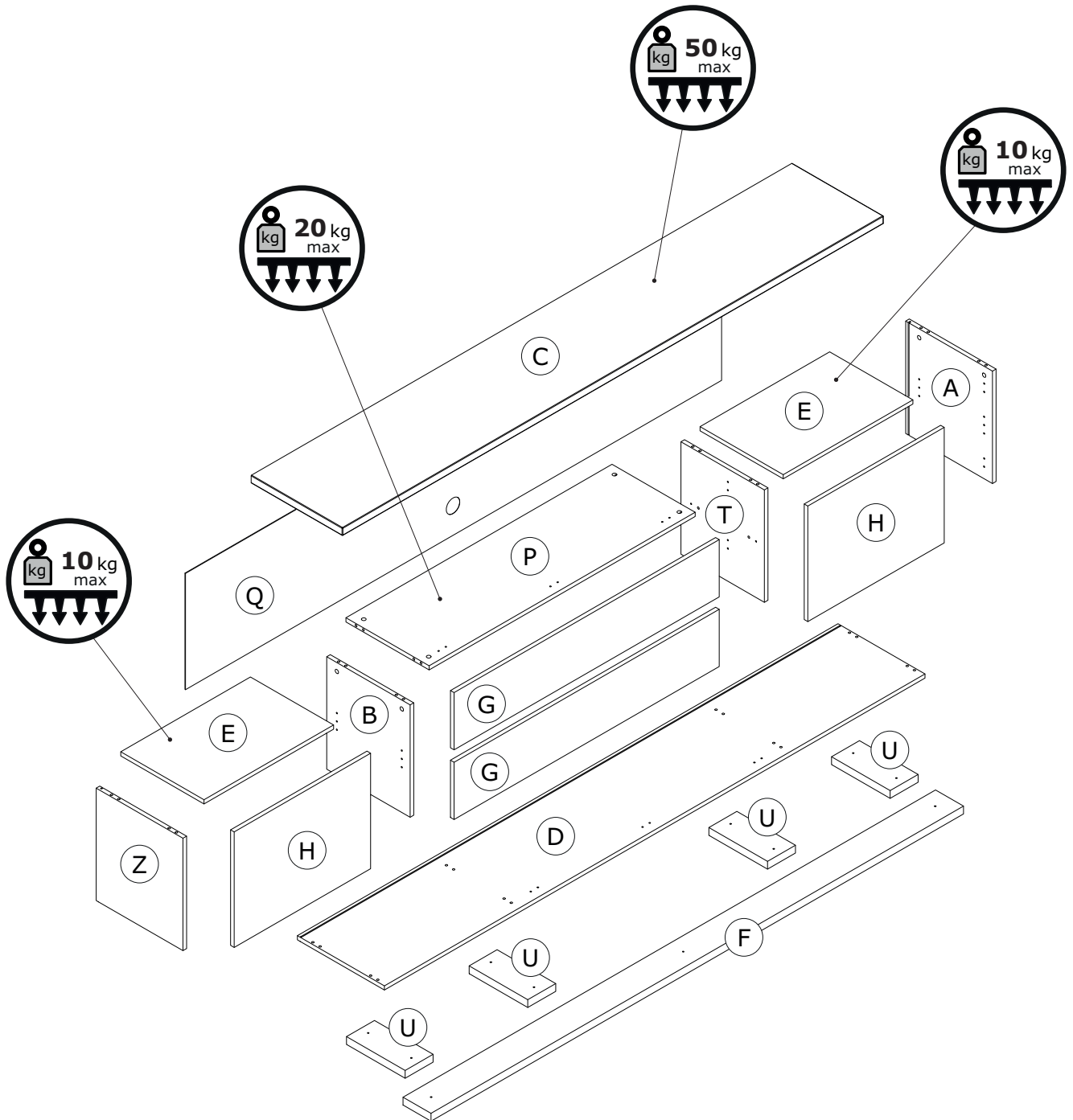
H279
x2

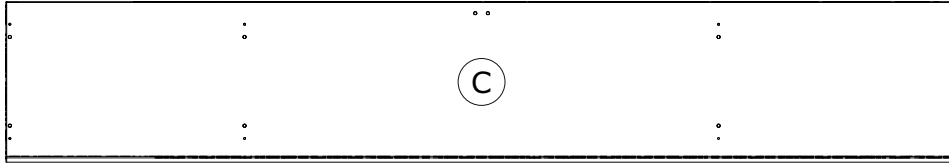


H230
x2

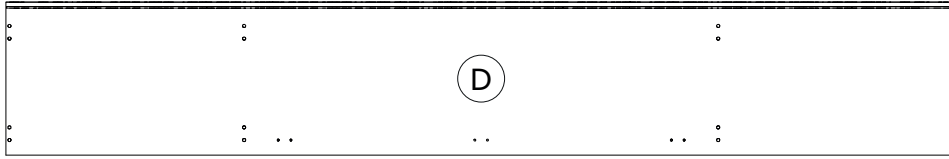


H333
x2

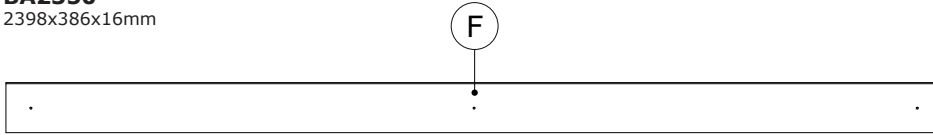




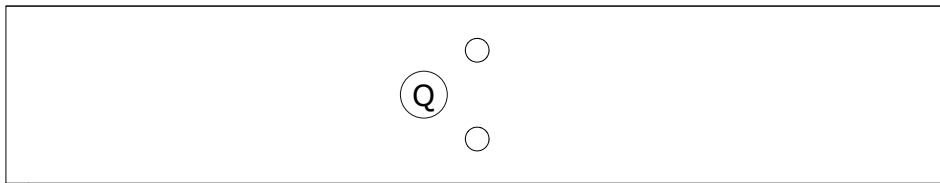
CA3995
2398x404x30mm



BA2350
2398x386x16mm

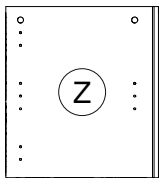


Z01867
2362x124x30mm

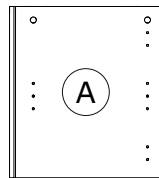


SS0801
2378x447x2,3mm

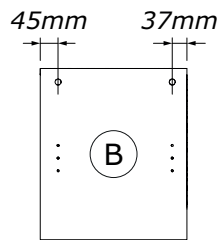
BOX 1/2



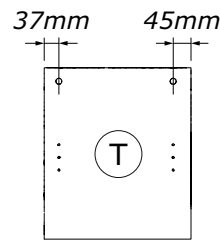
FI9174
432x385x16mm



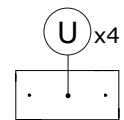
FI9176
432x385x16mm



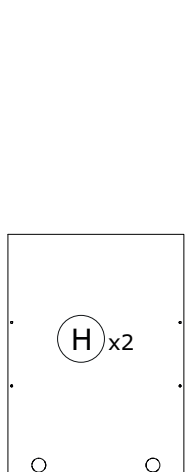
TR2446
432x370x16mm



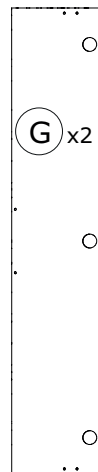
TR2447
432x370x16mm



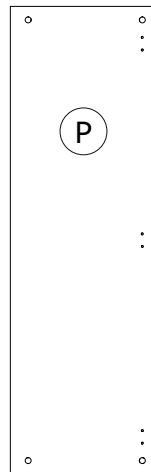
Z01869
260x124x30mm



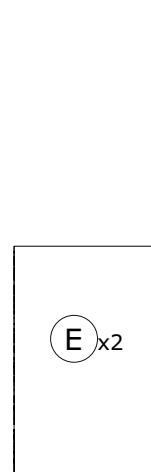
AN3138
605x444x16mm



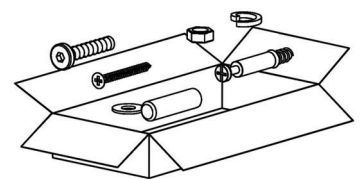
AN3140
1176x220x16mm



PI7478
1180x369x16mm

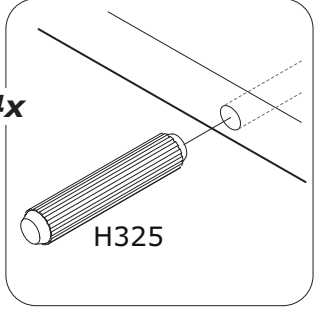
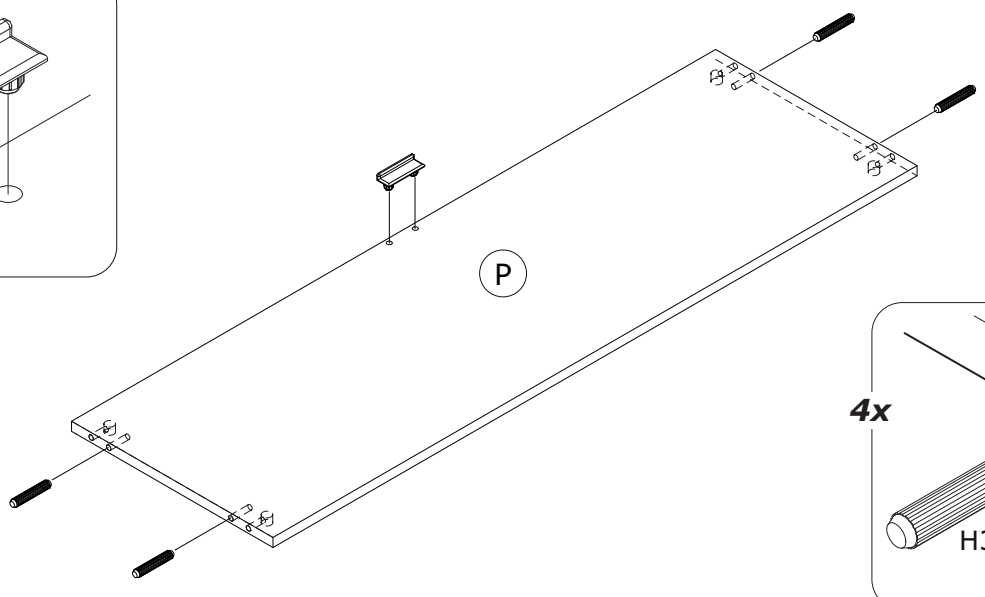
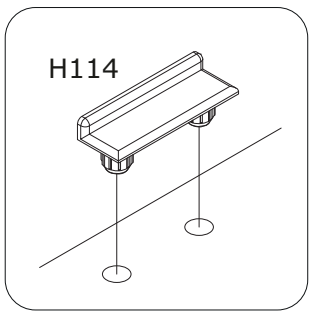
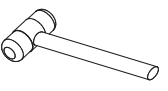


PI7479
575x369x16mm

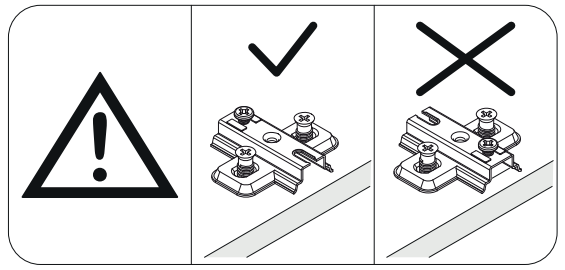
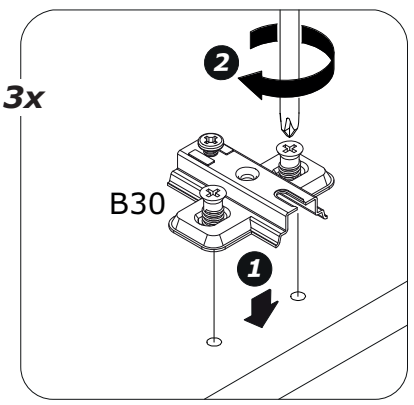
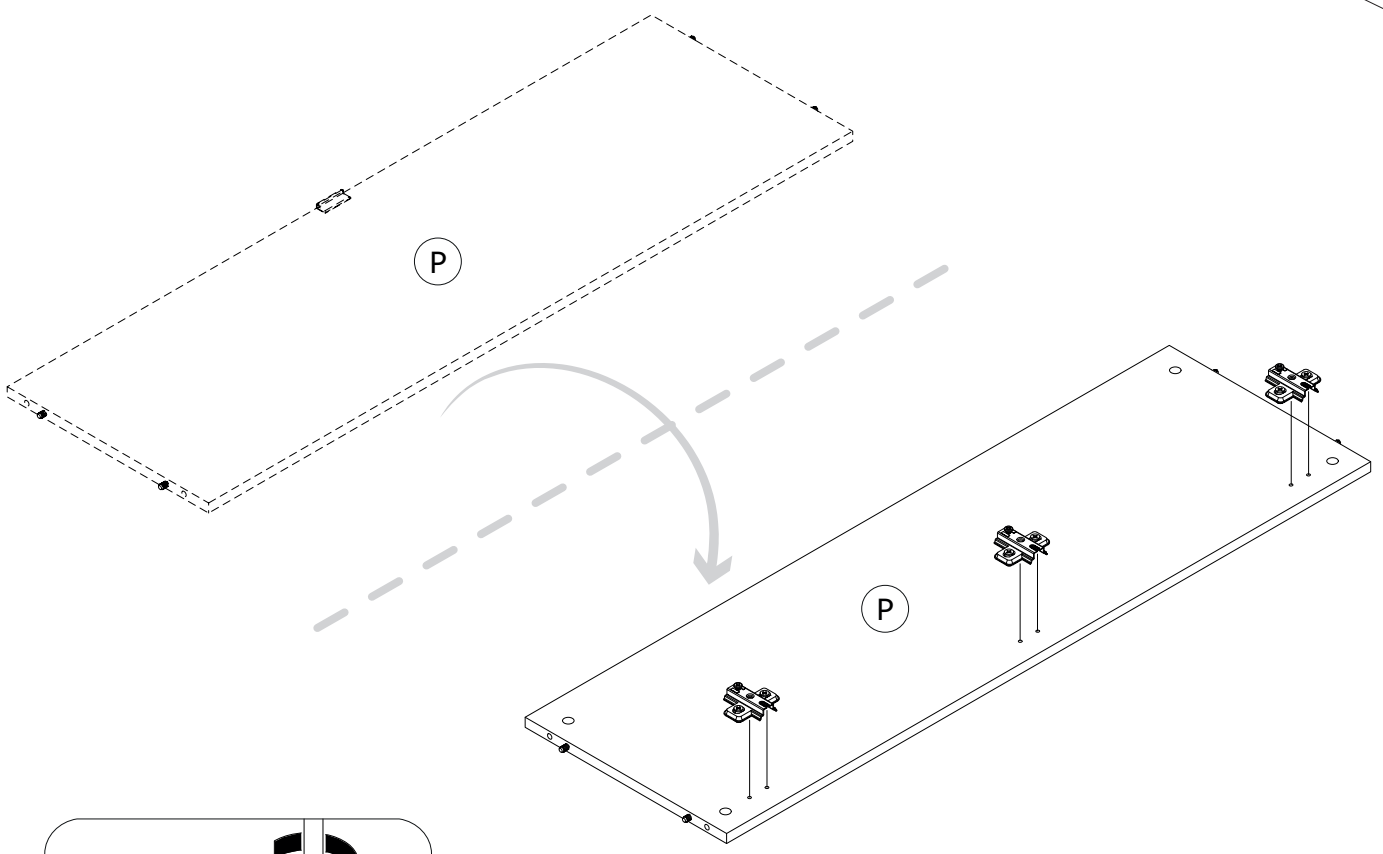
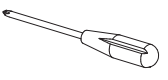


BOX 2/2

1

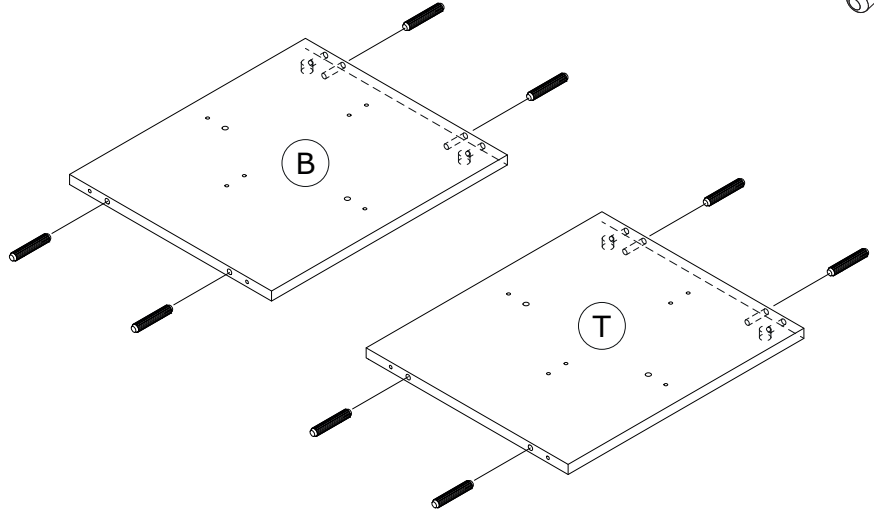
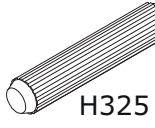


2



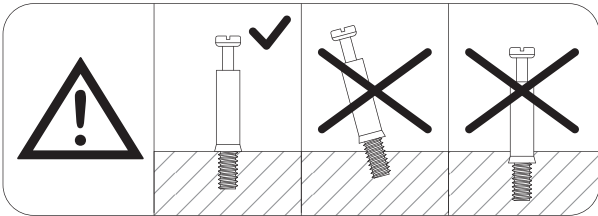
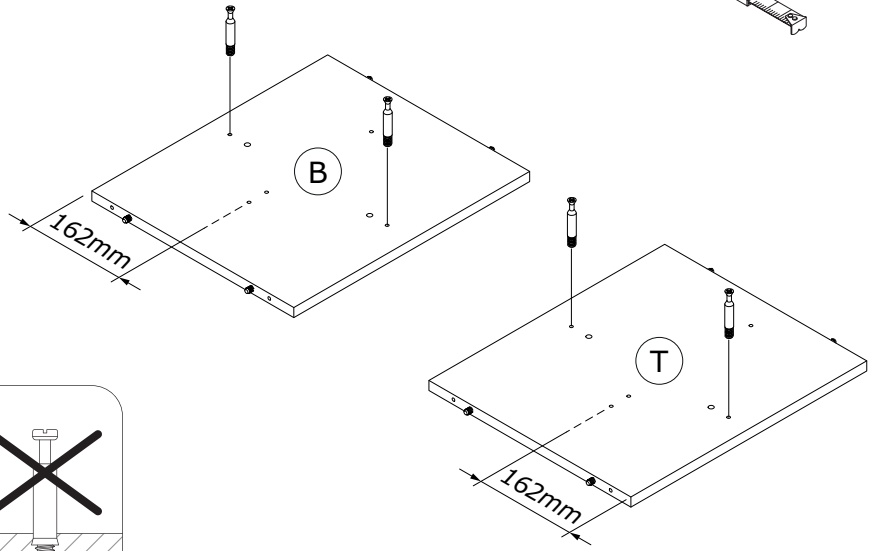
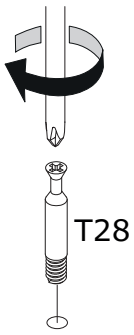
3

8x



4

4x

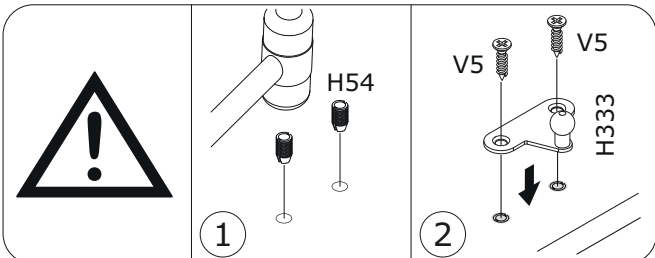
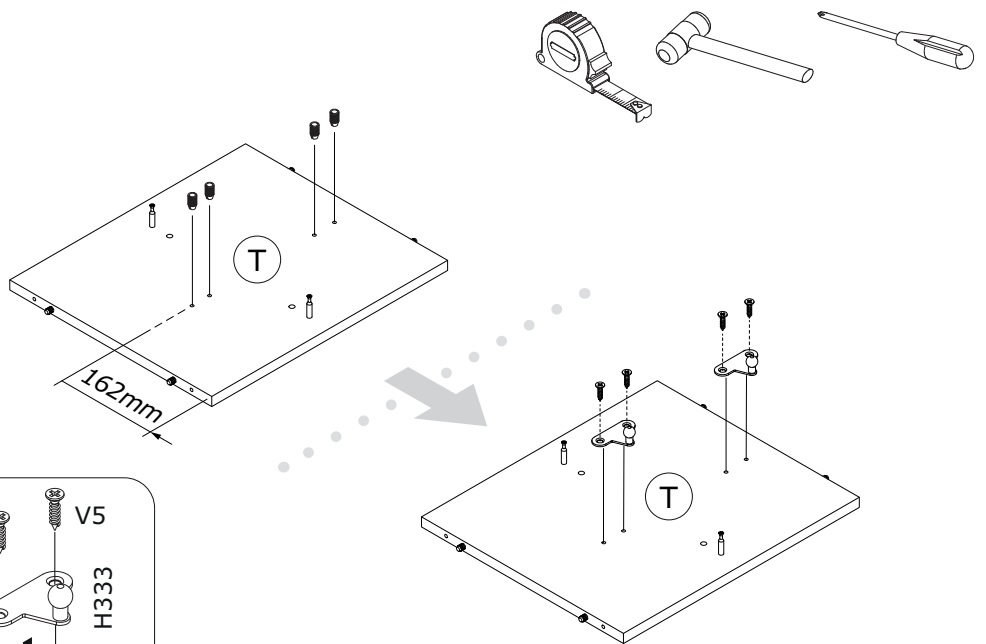


5

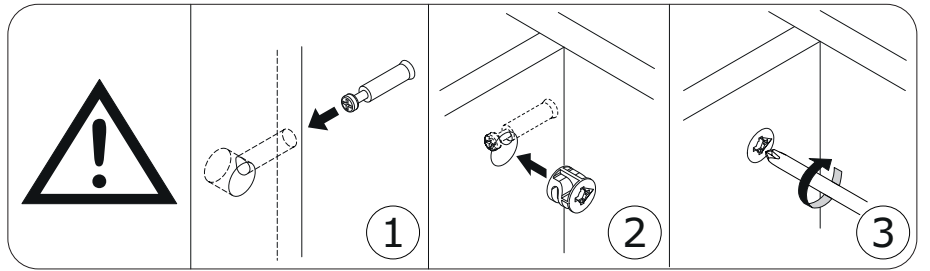
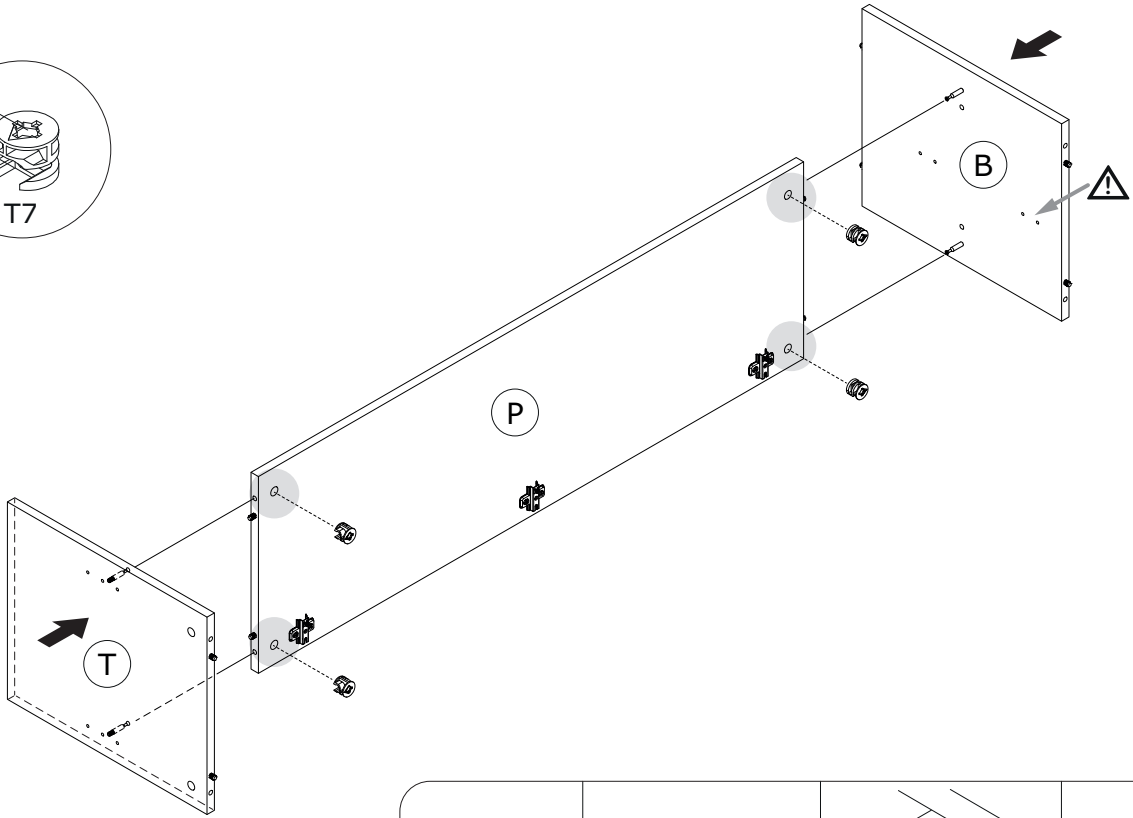
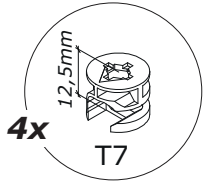
4x



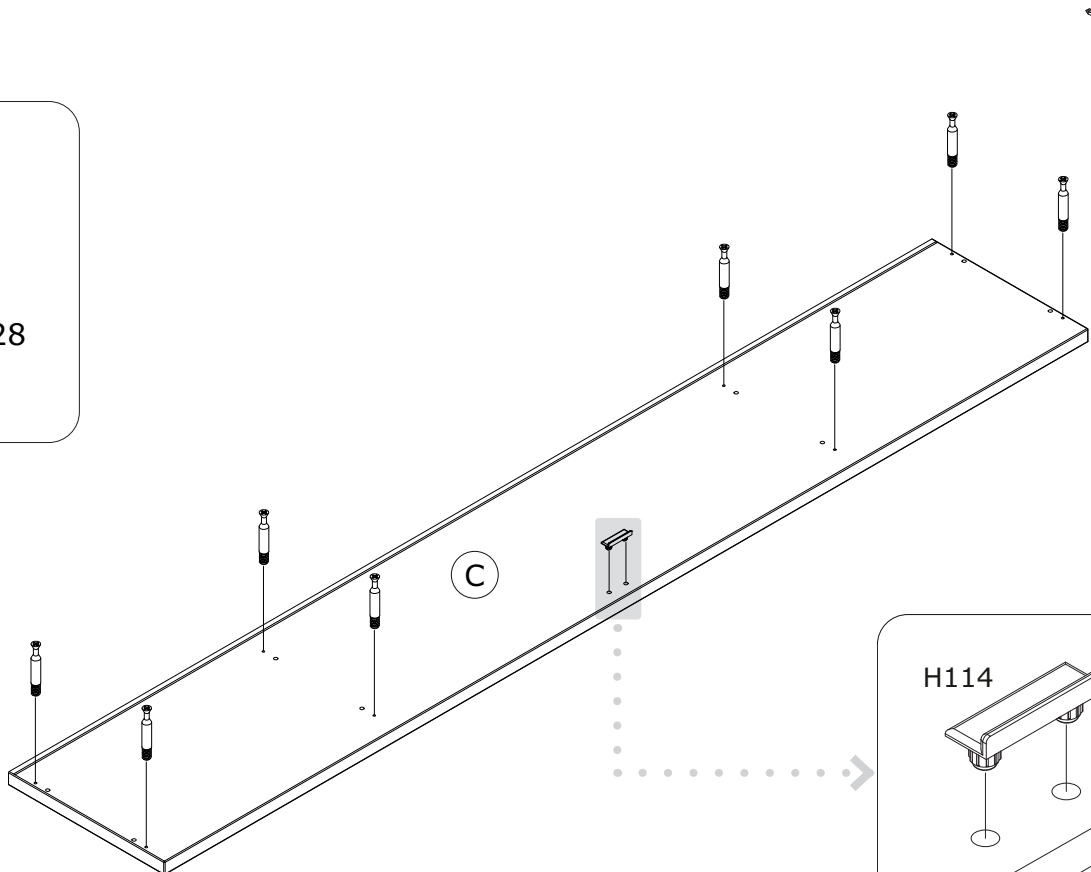
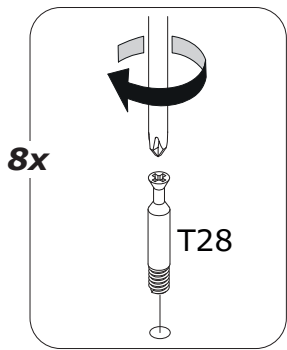
4x



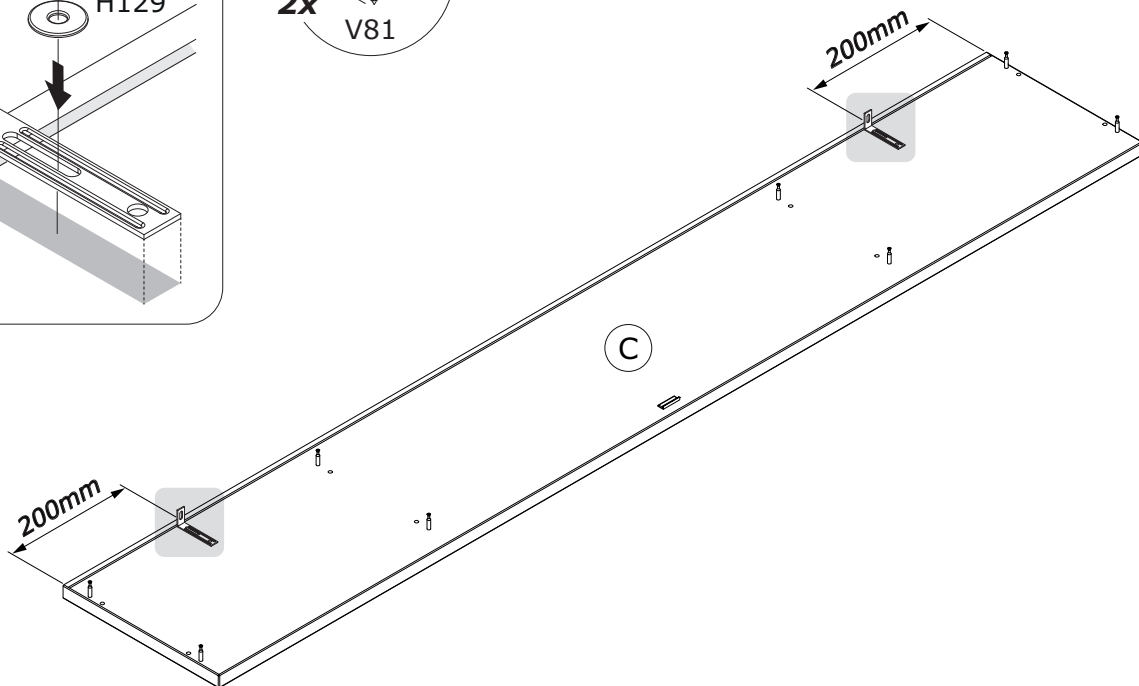
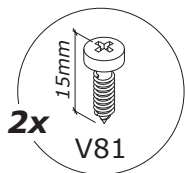
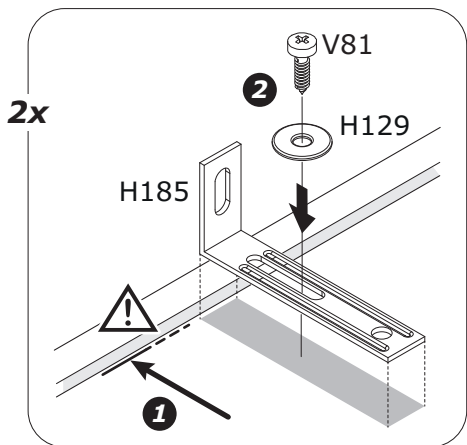
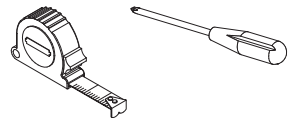
6



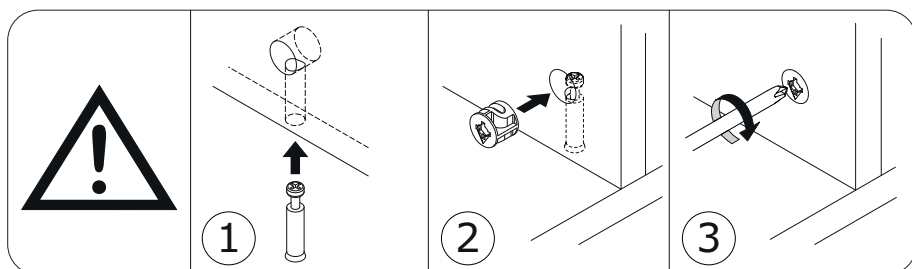
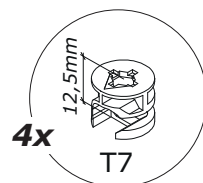
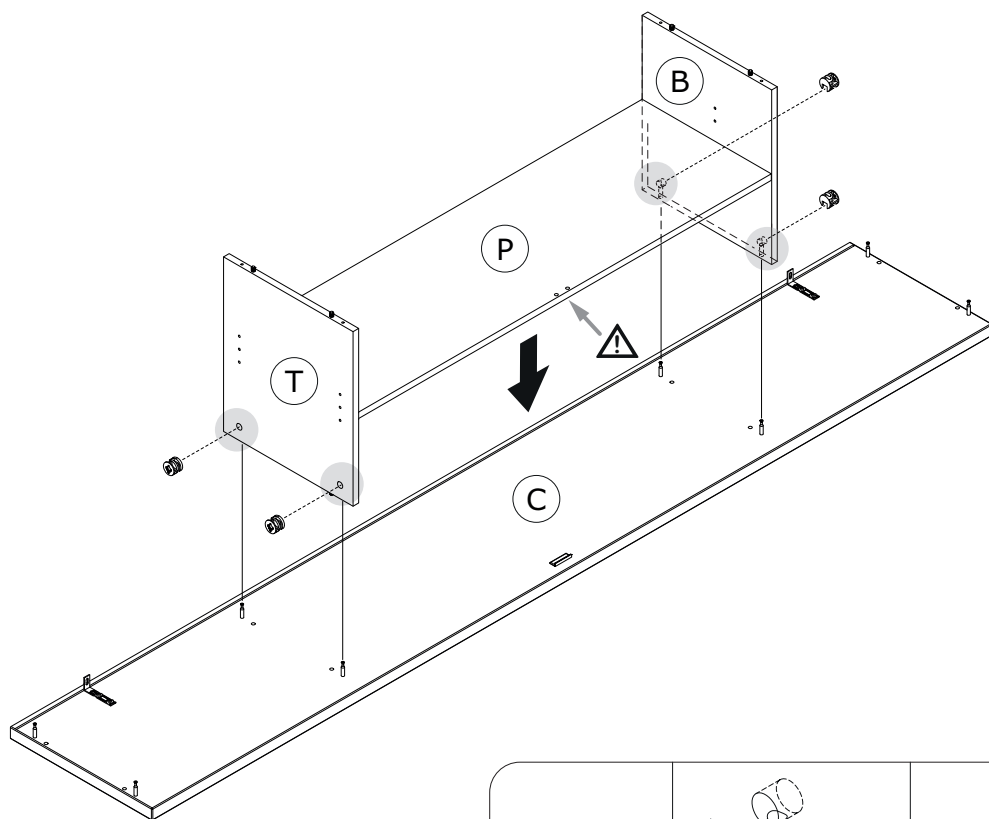
7



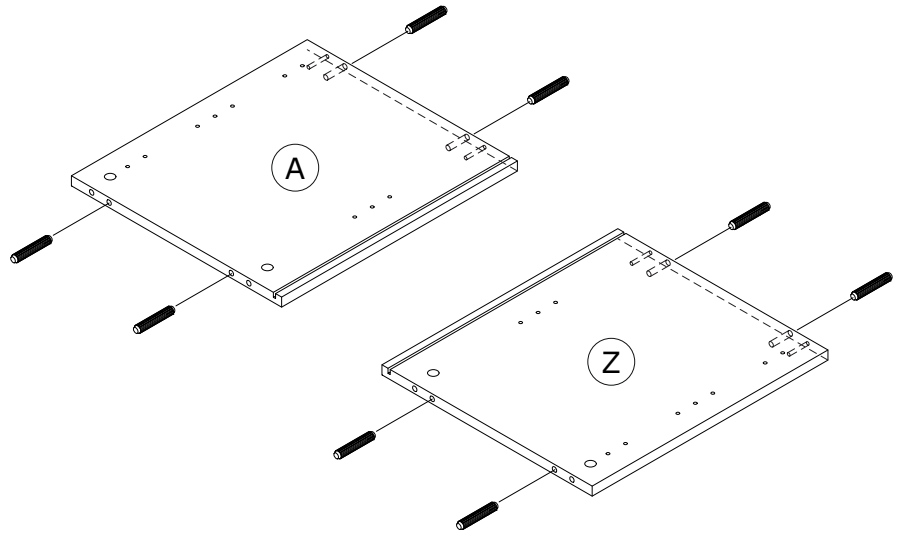
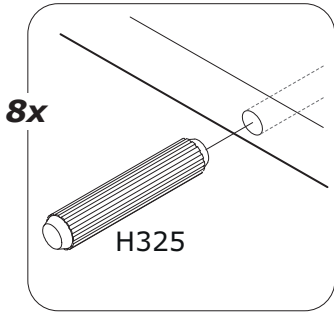
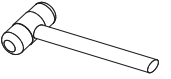
8



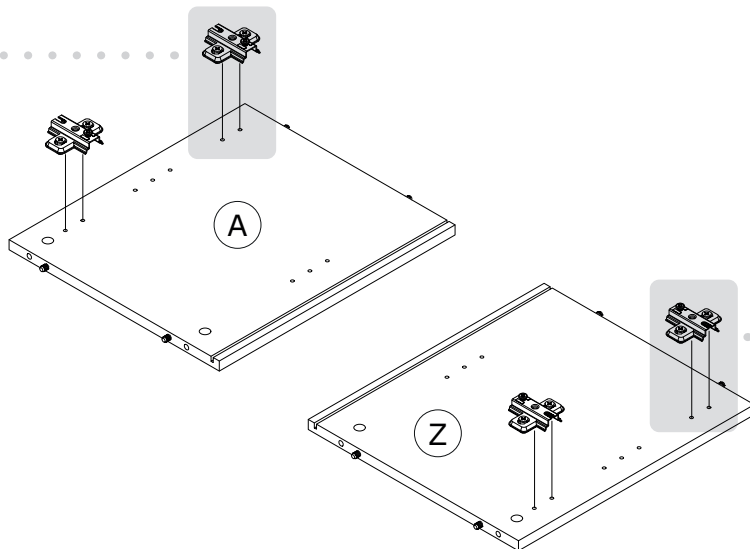
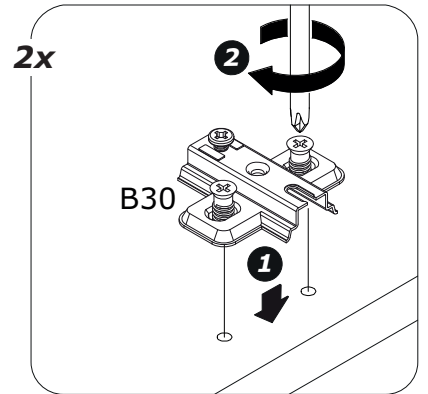
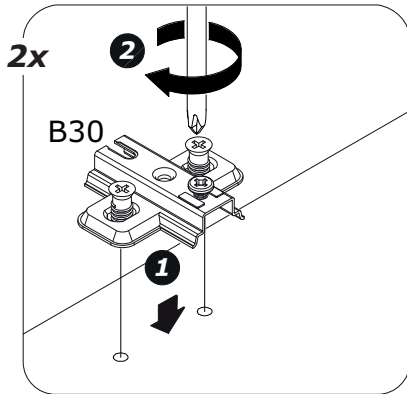
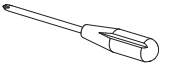
9

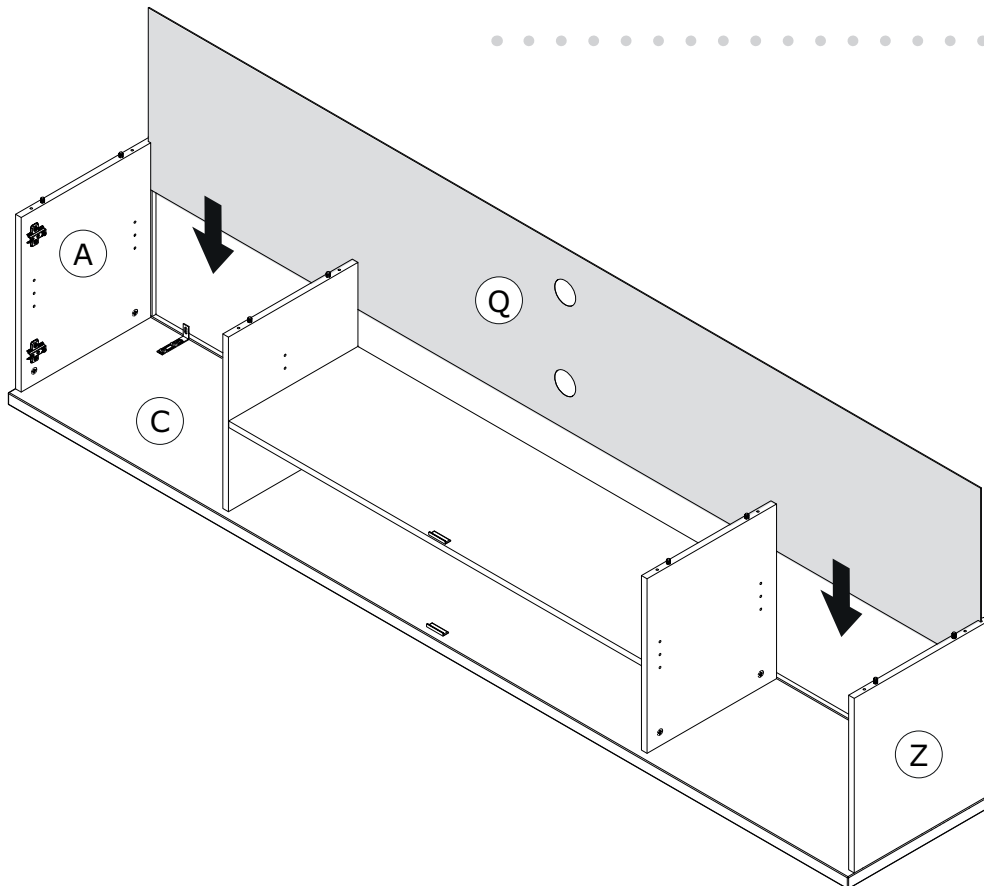
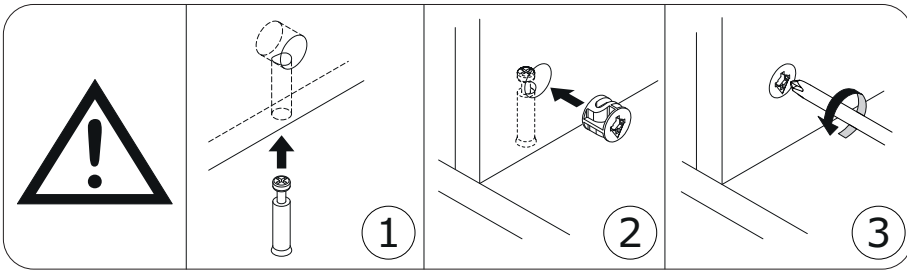
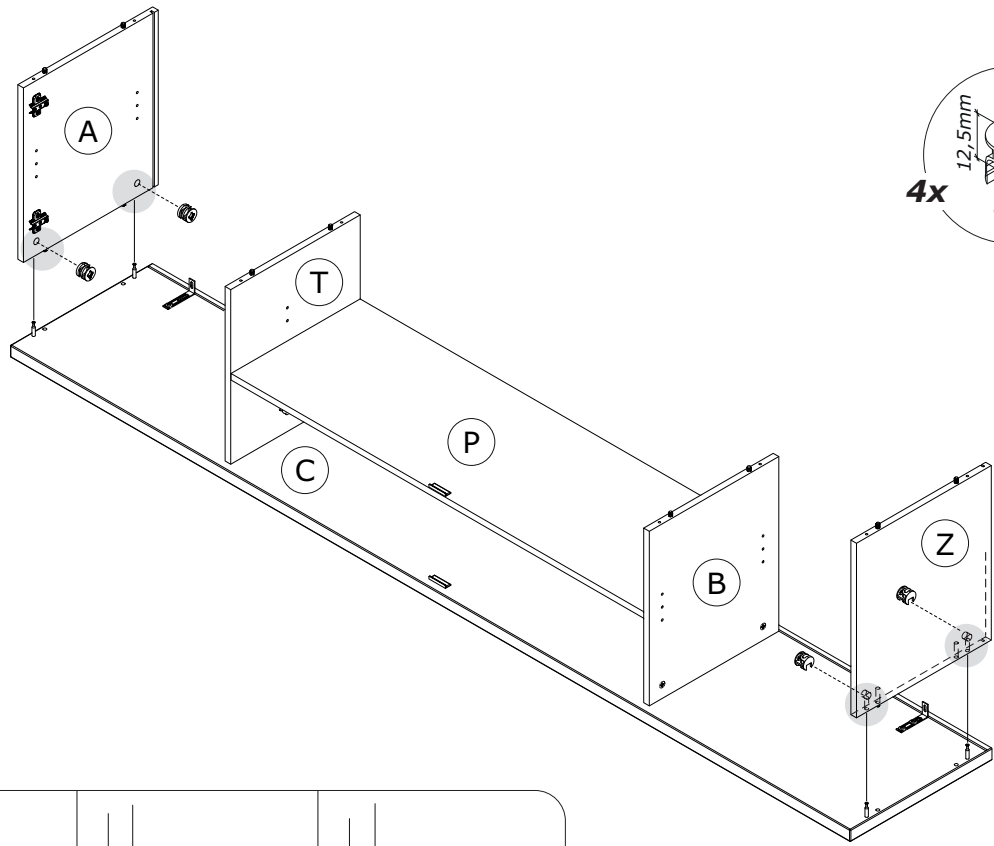
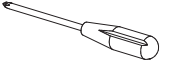


10

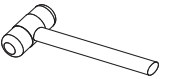


11

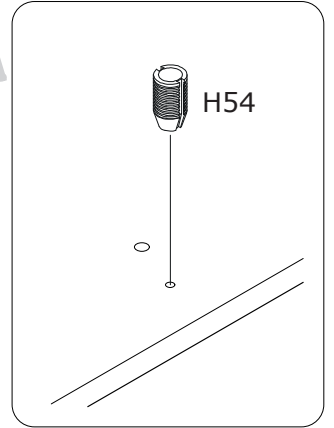
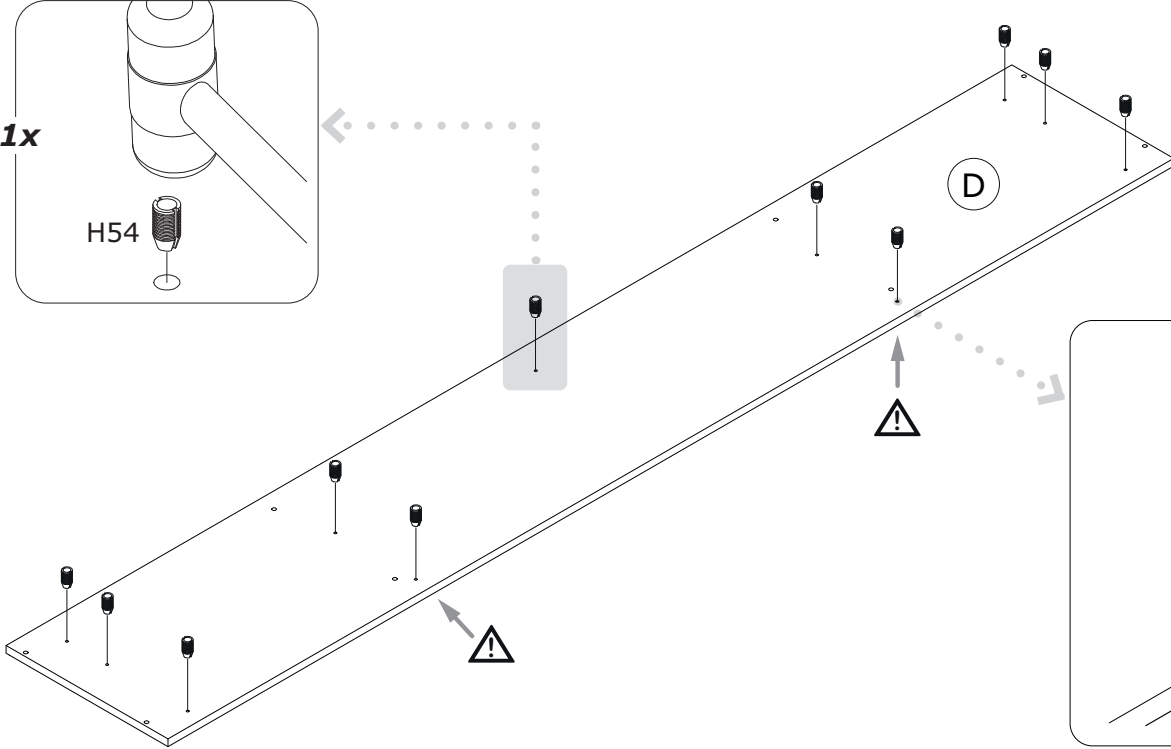
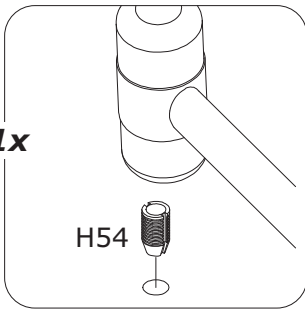




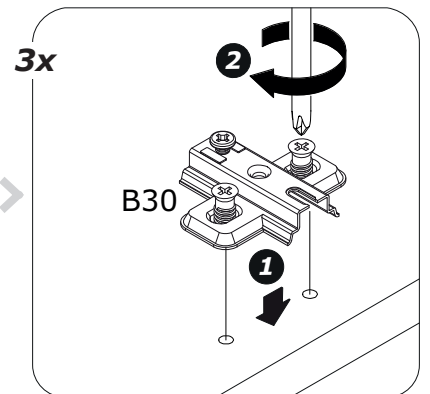
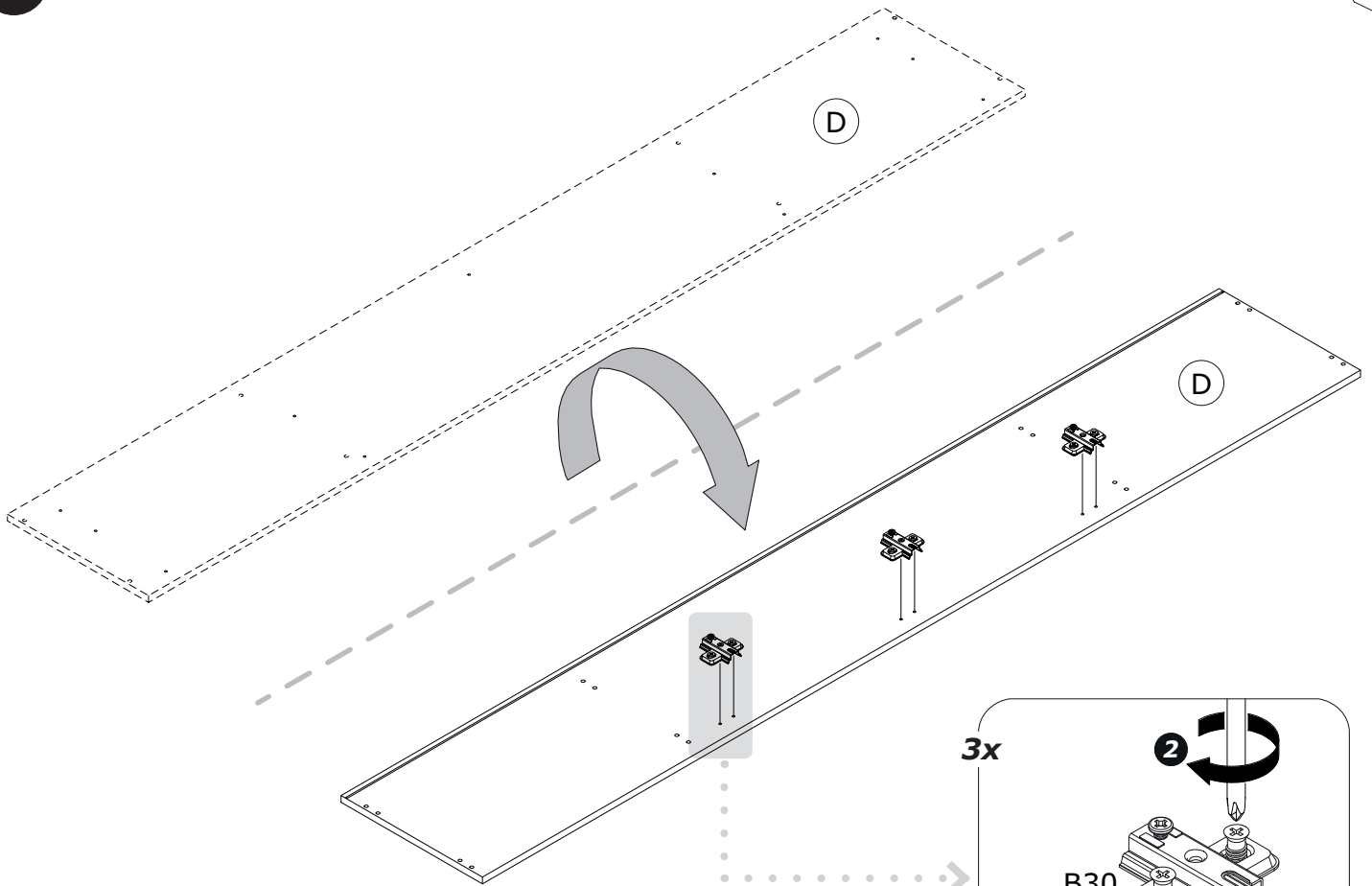
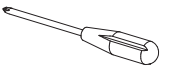
13



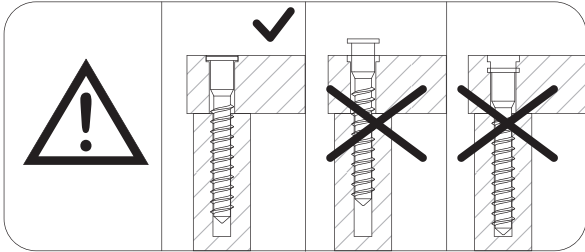
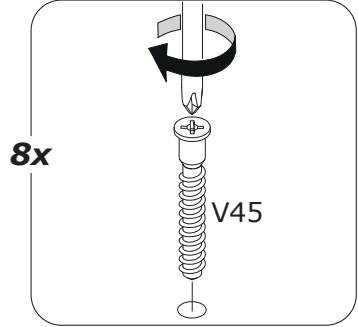
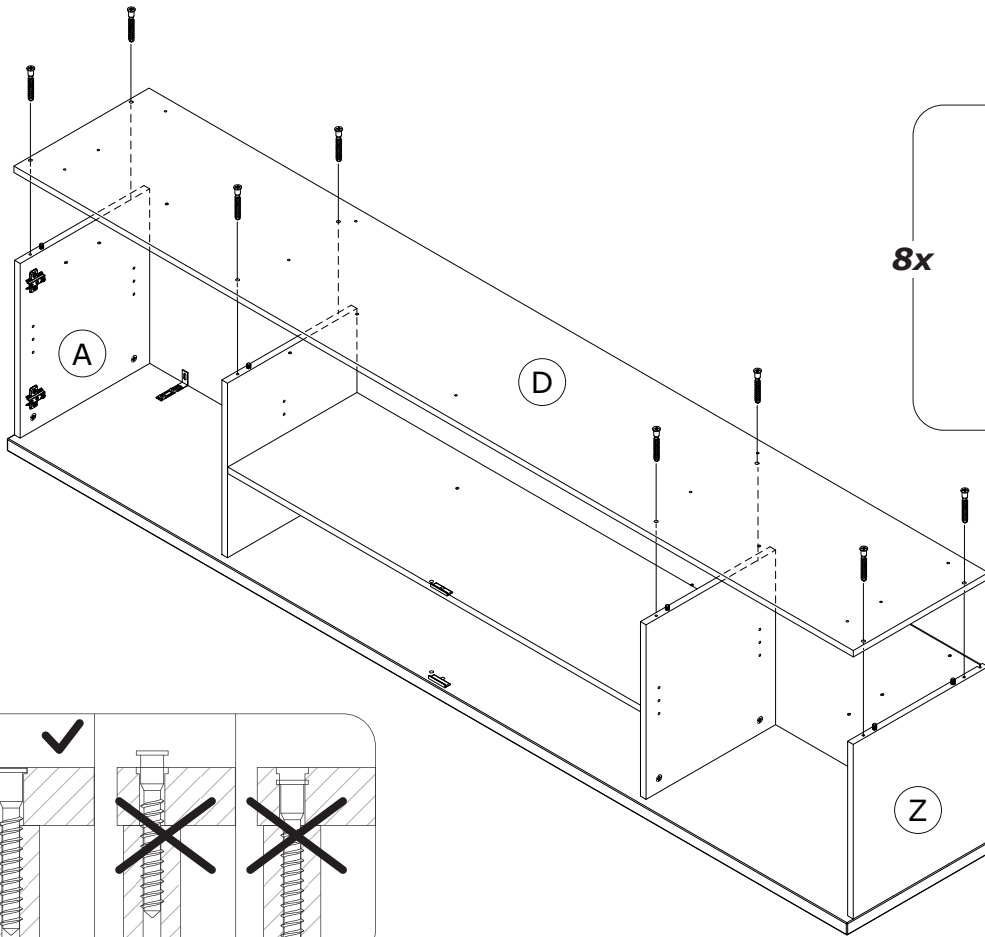
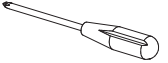
11x



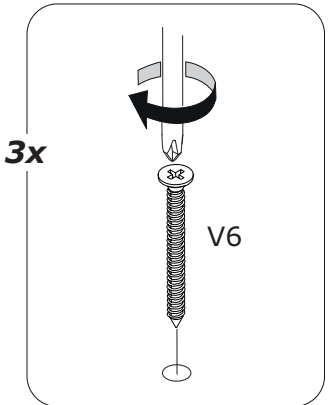
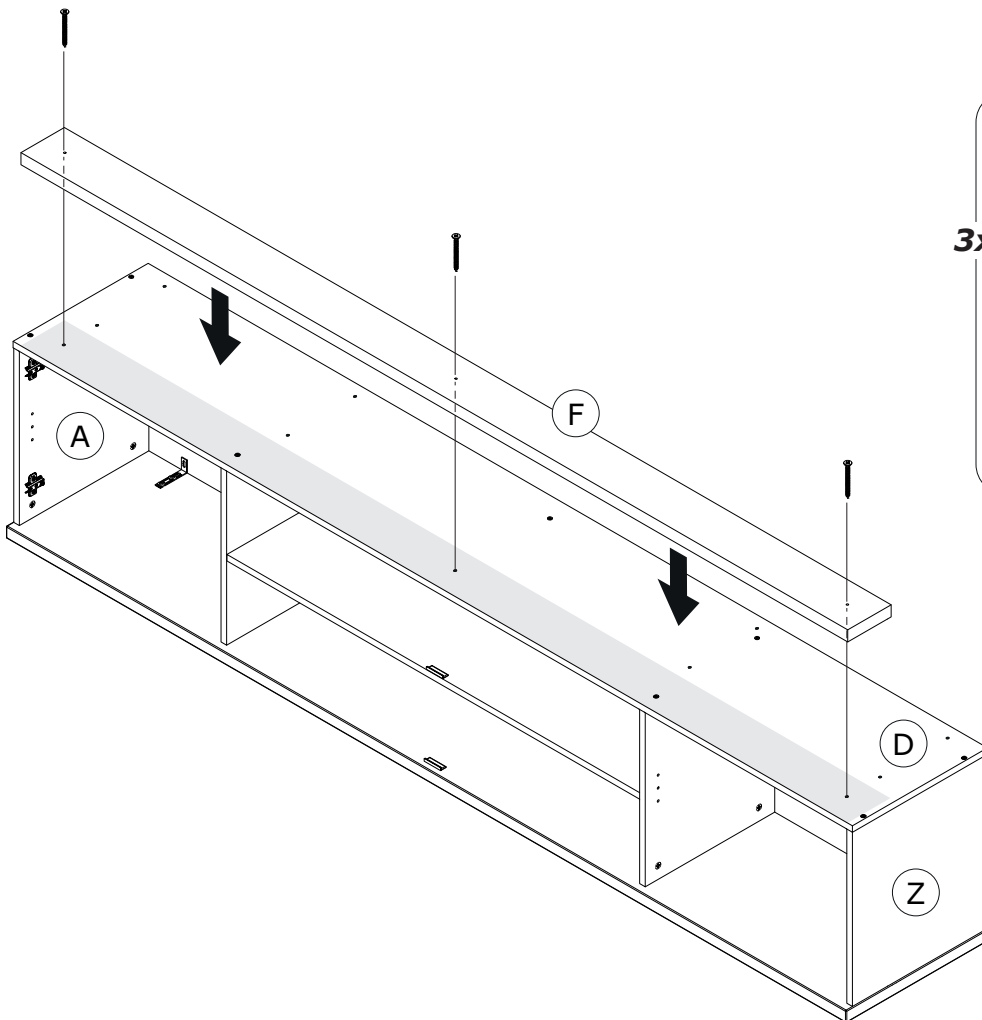
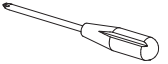
14



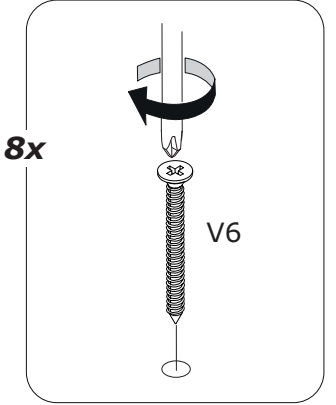
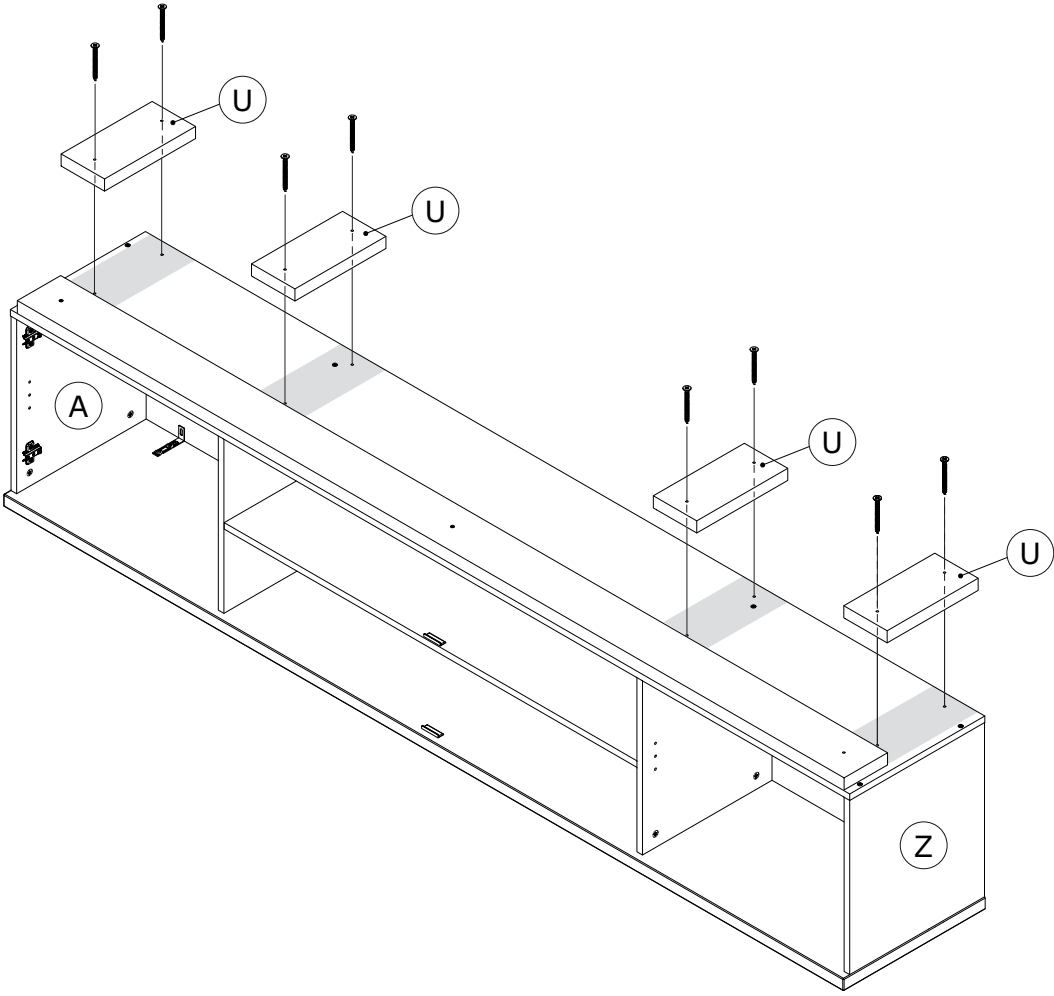
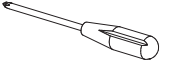
15



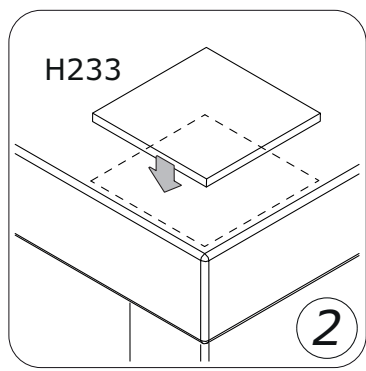
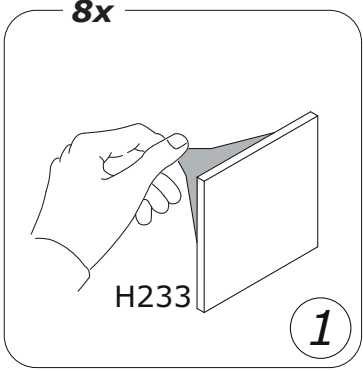
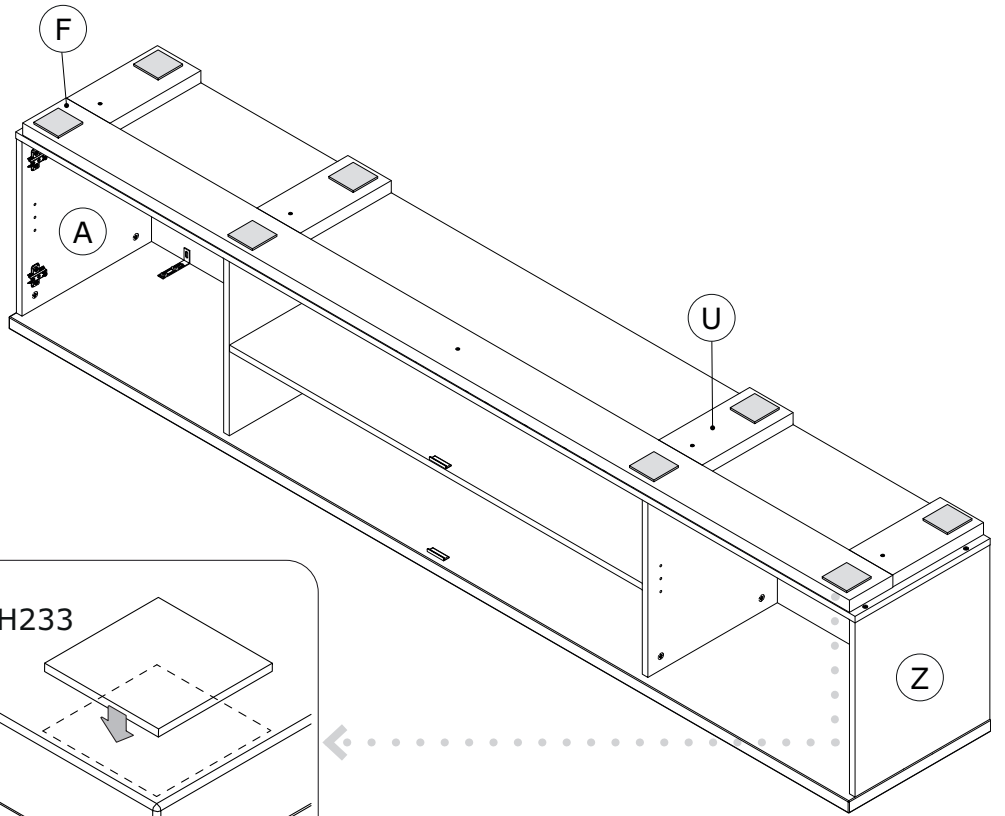
16



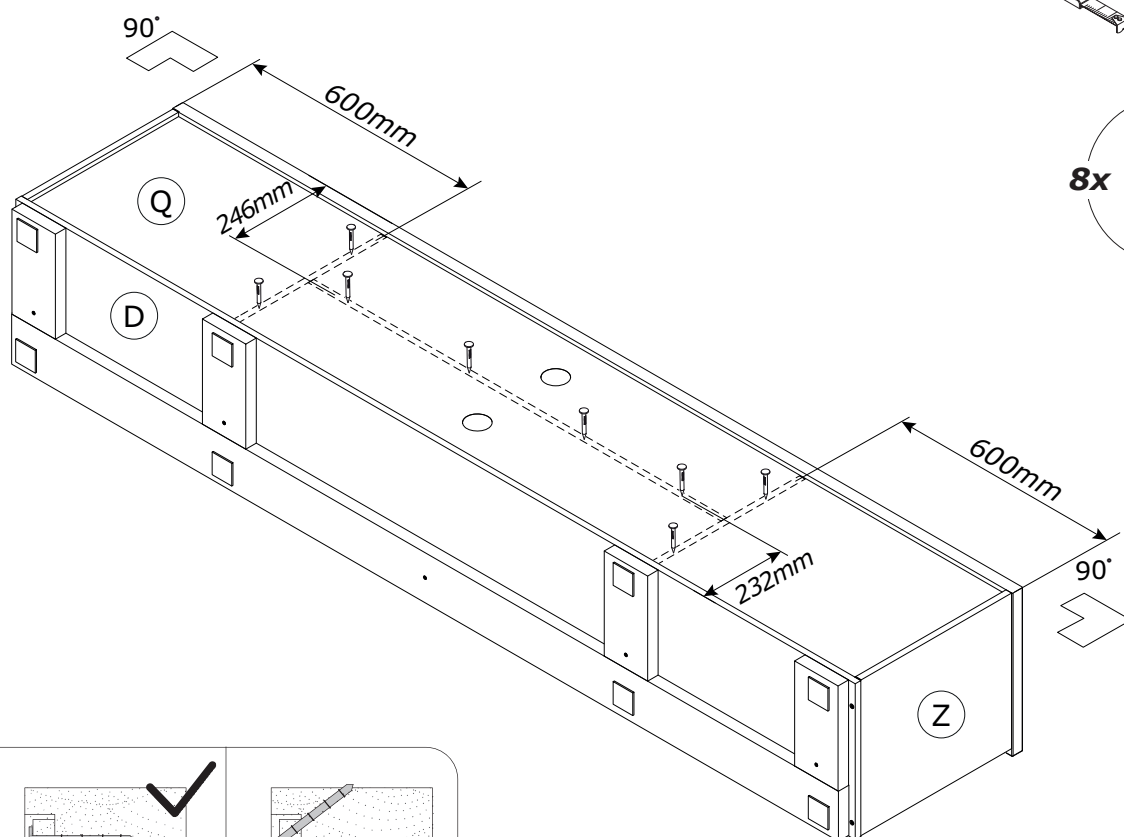
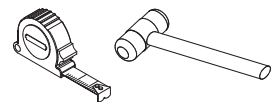
17



18

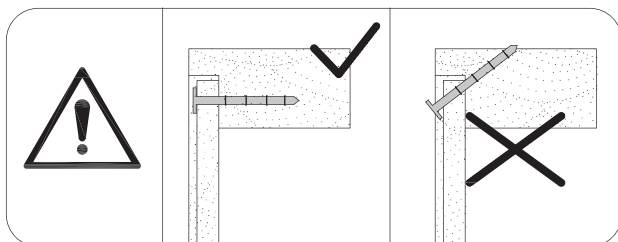


19

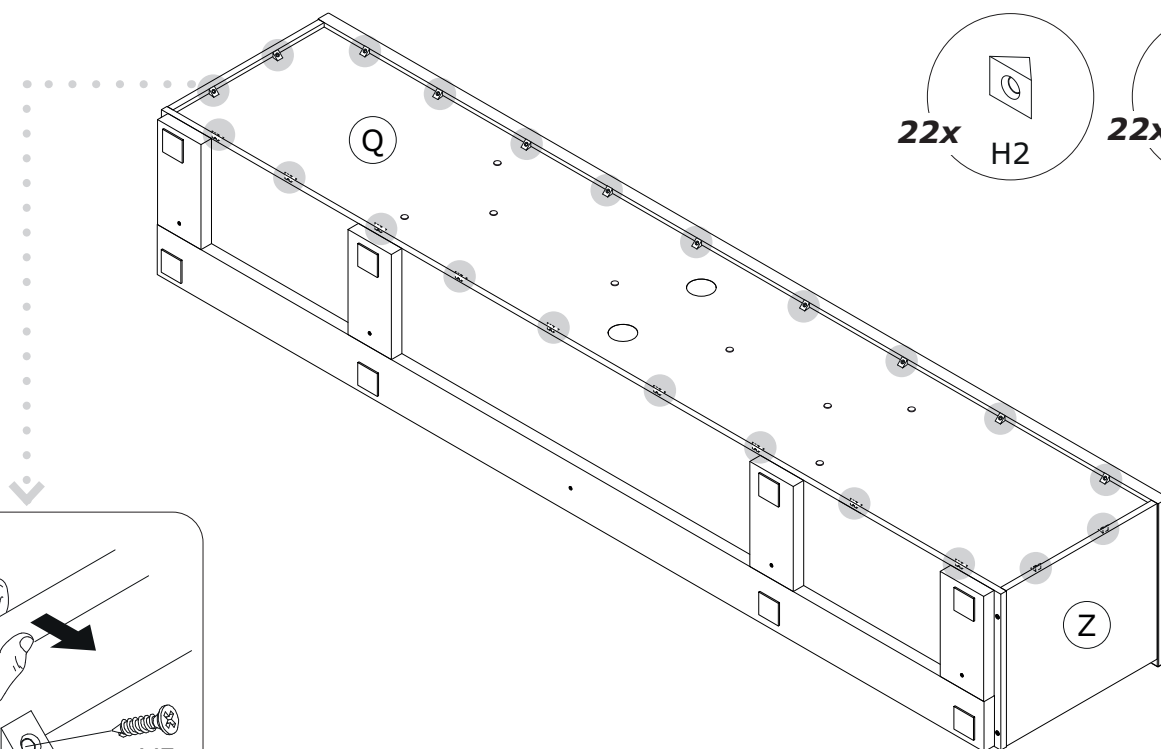
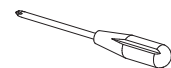


8x

H15



20

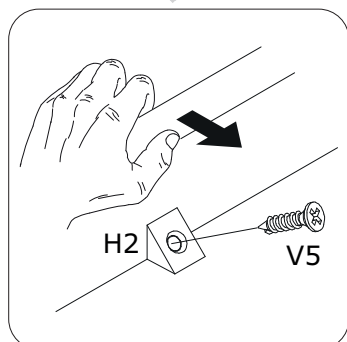


22x

H2

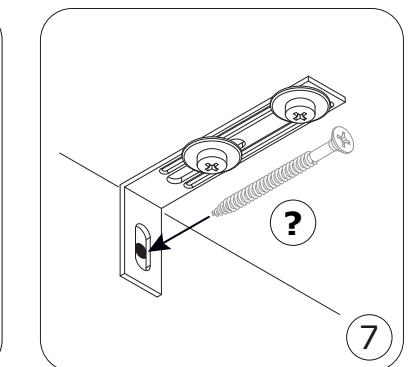
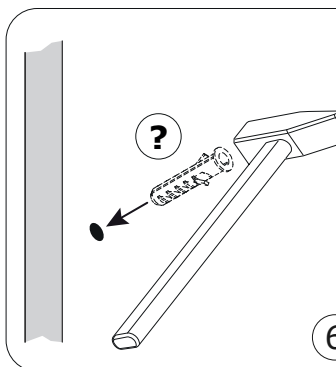
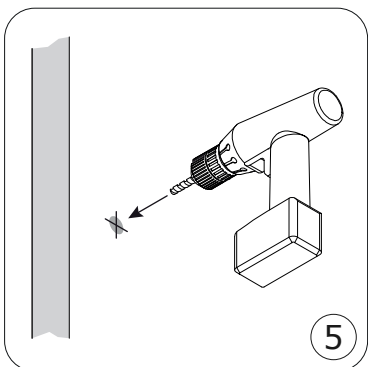
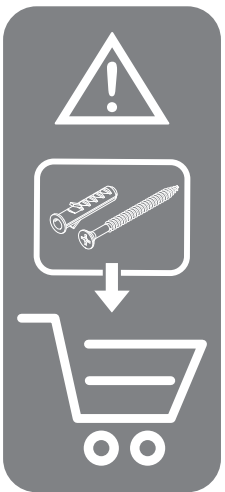
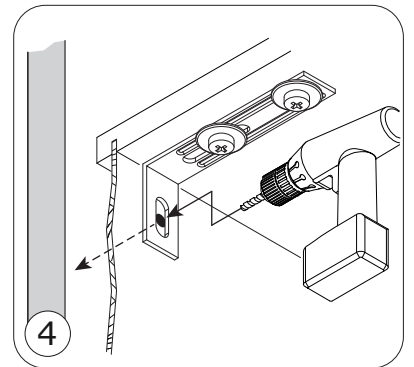
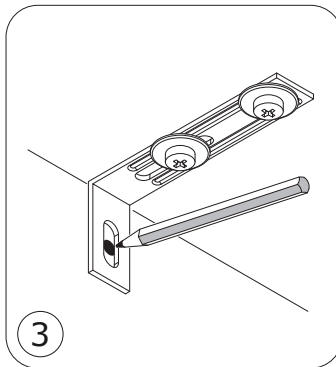
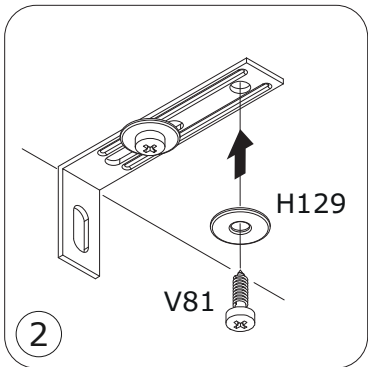
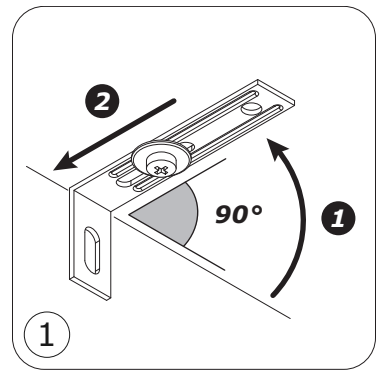
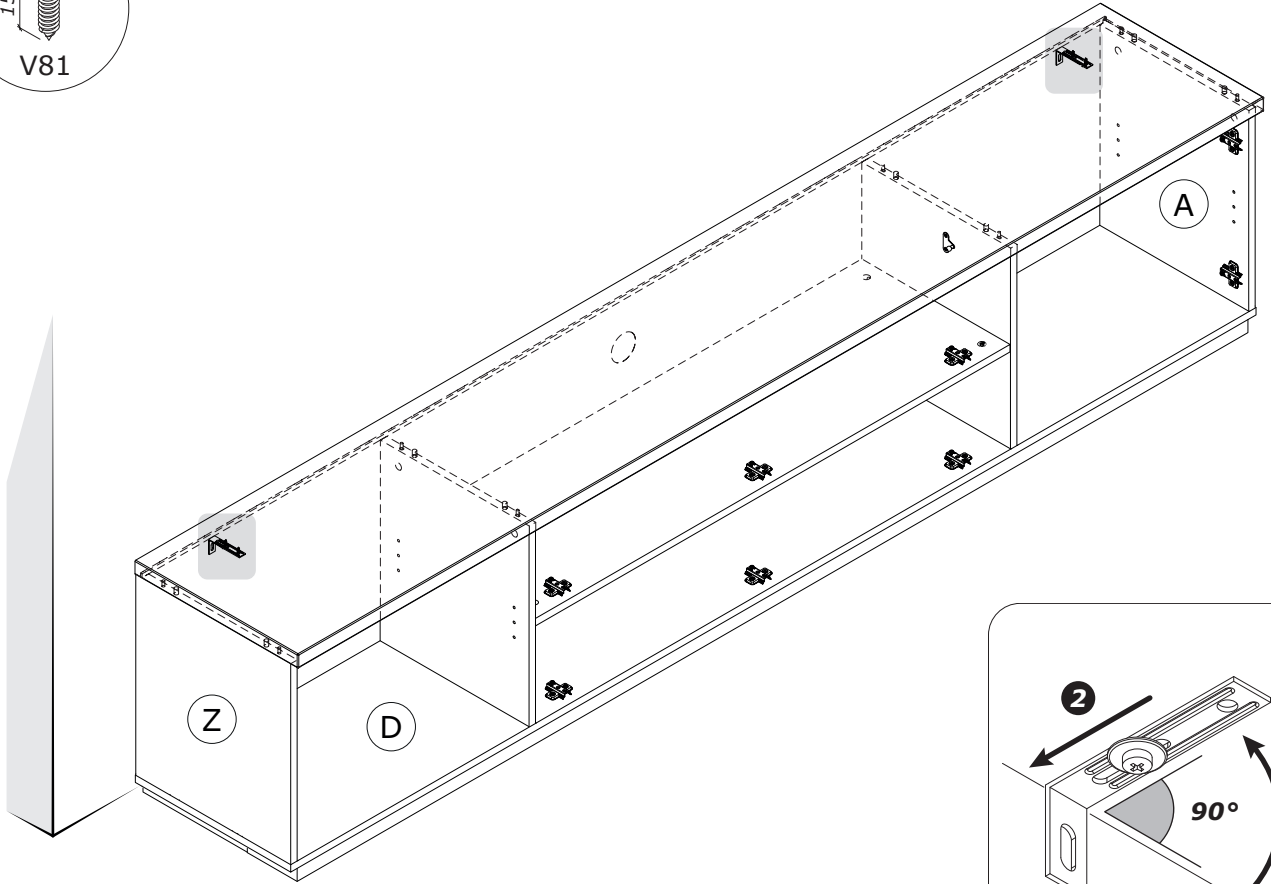
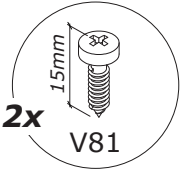
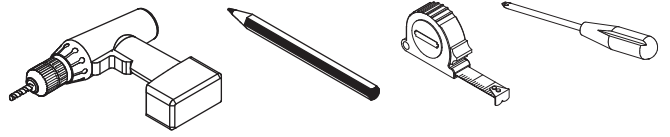
22x

V5

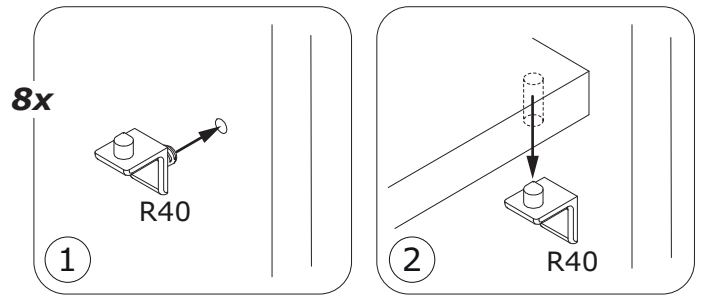
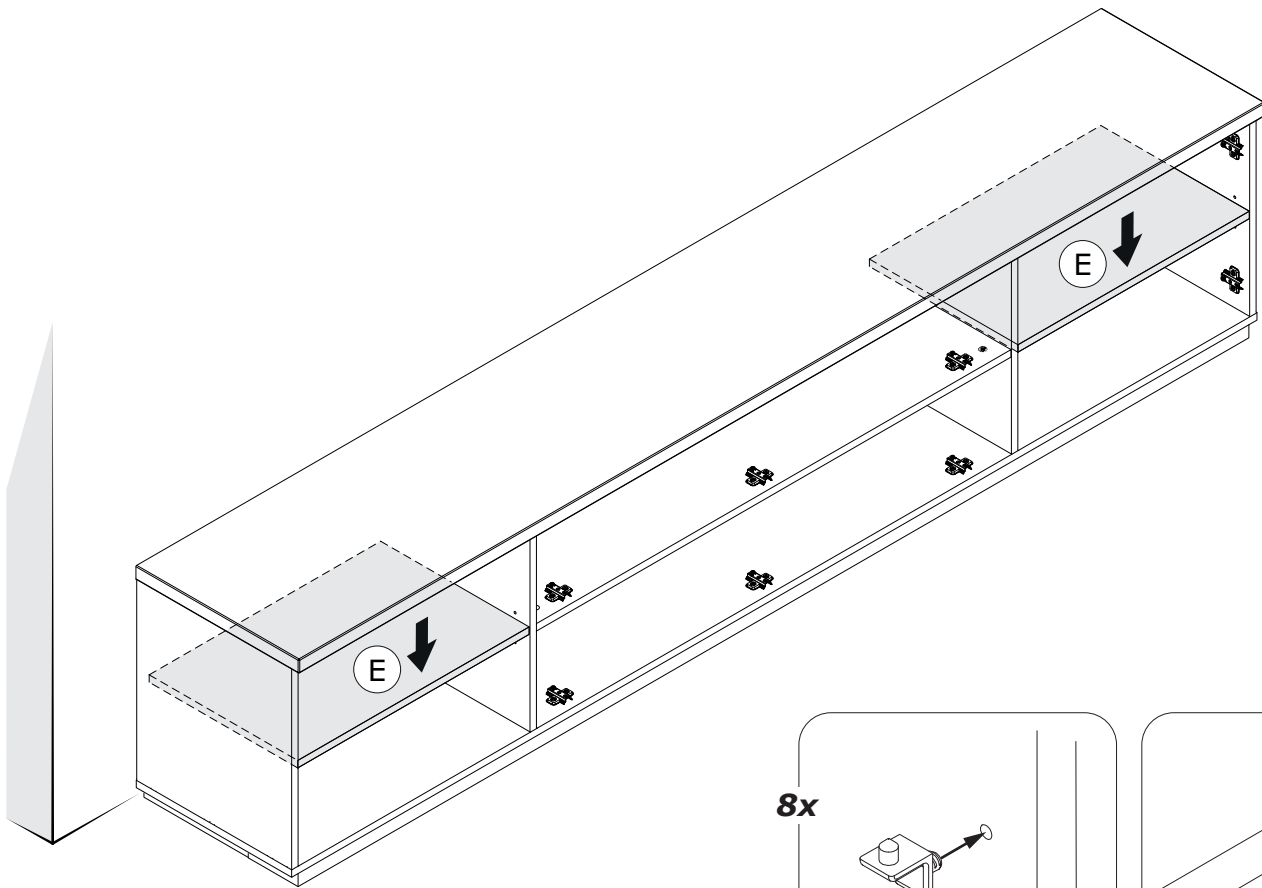


H2

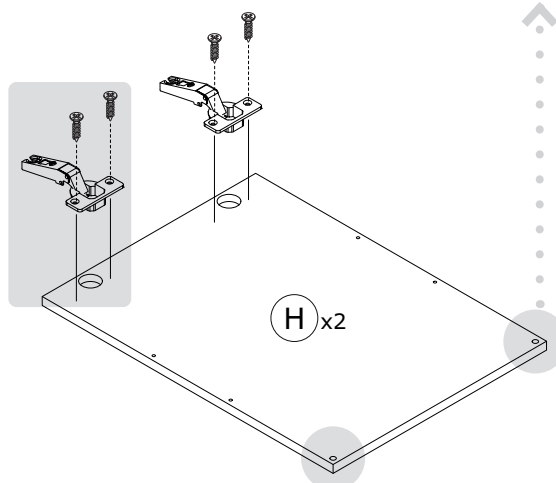
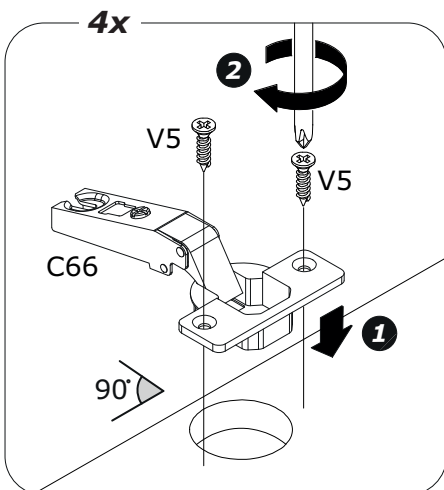
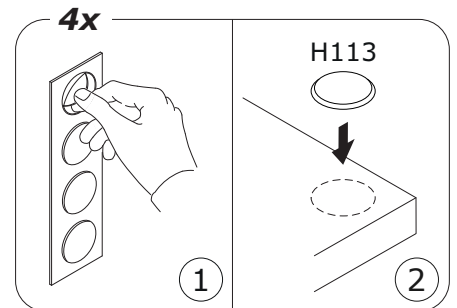
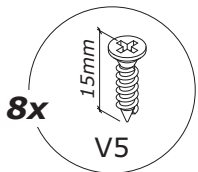
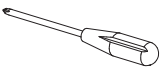
V5



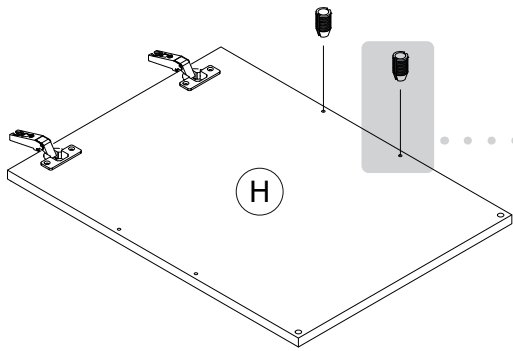
22



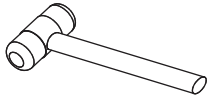
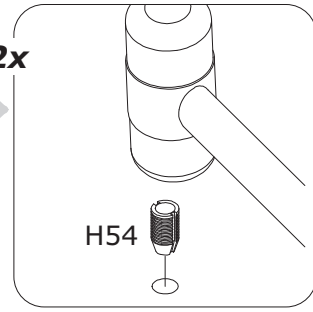
23



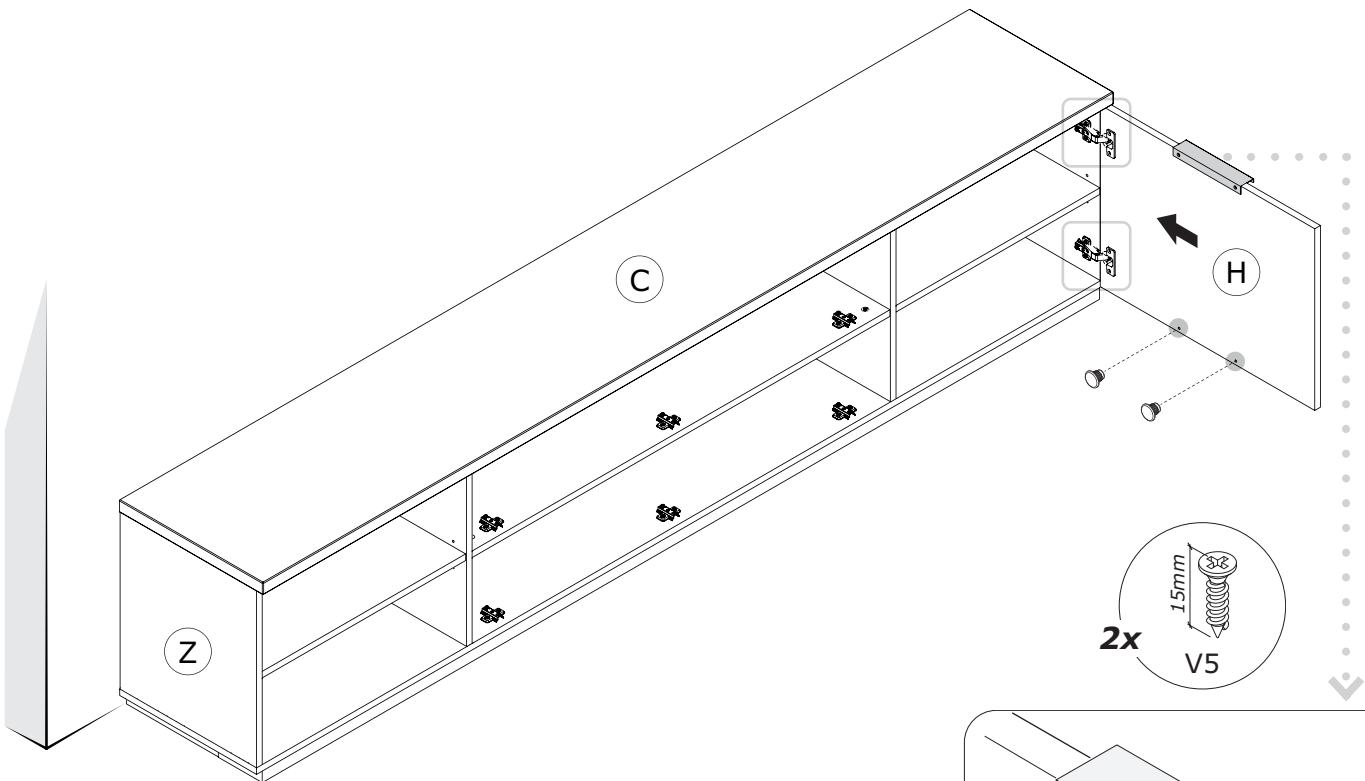
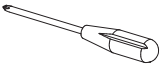
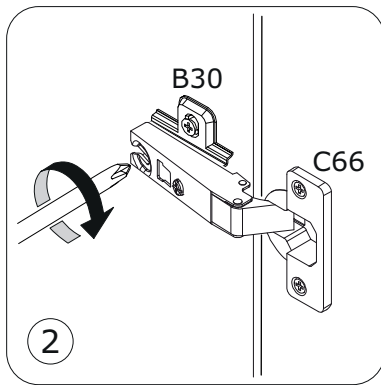
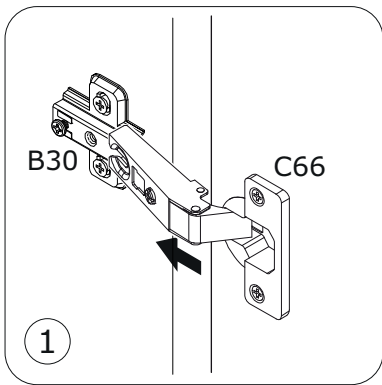
24



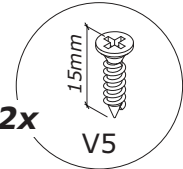
2x



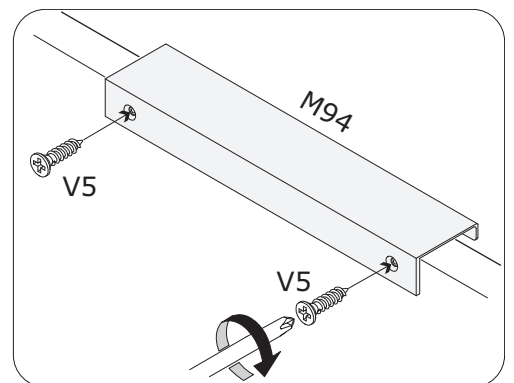
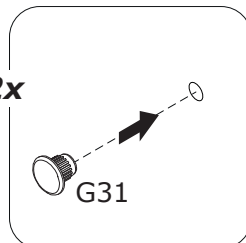
25



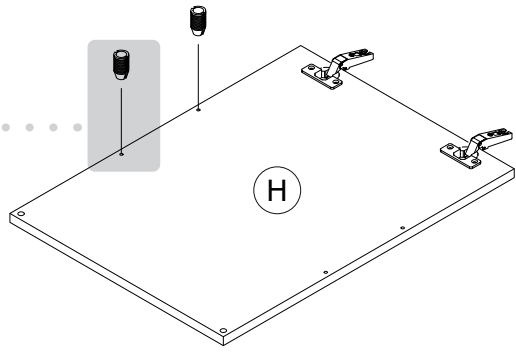
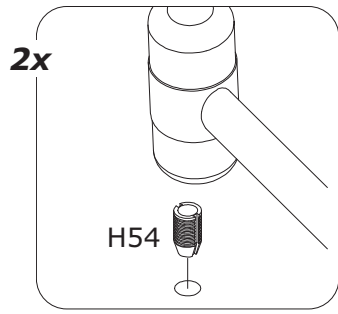
2x



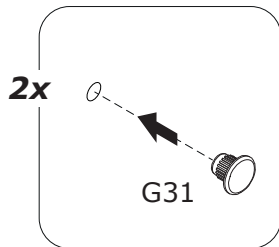
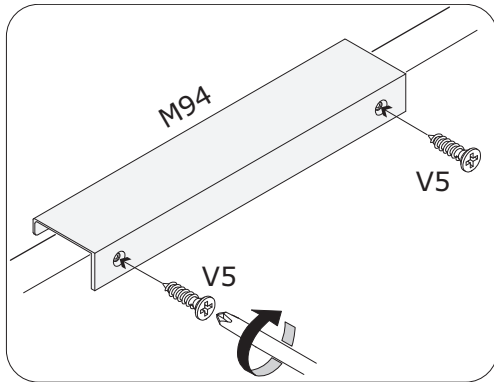
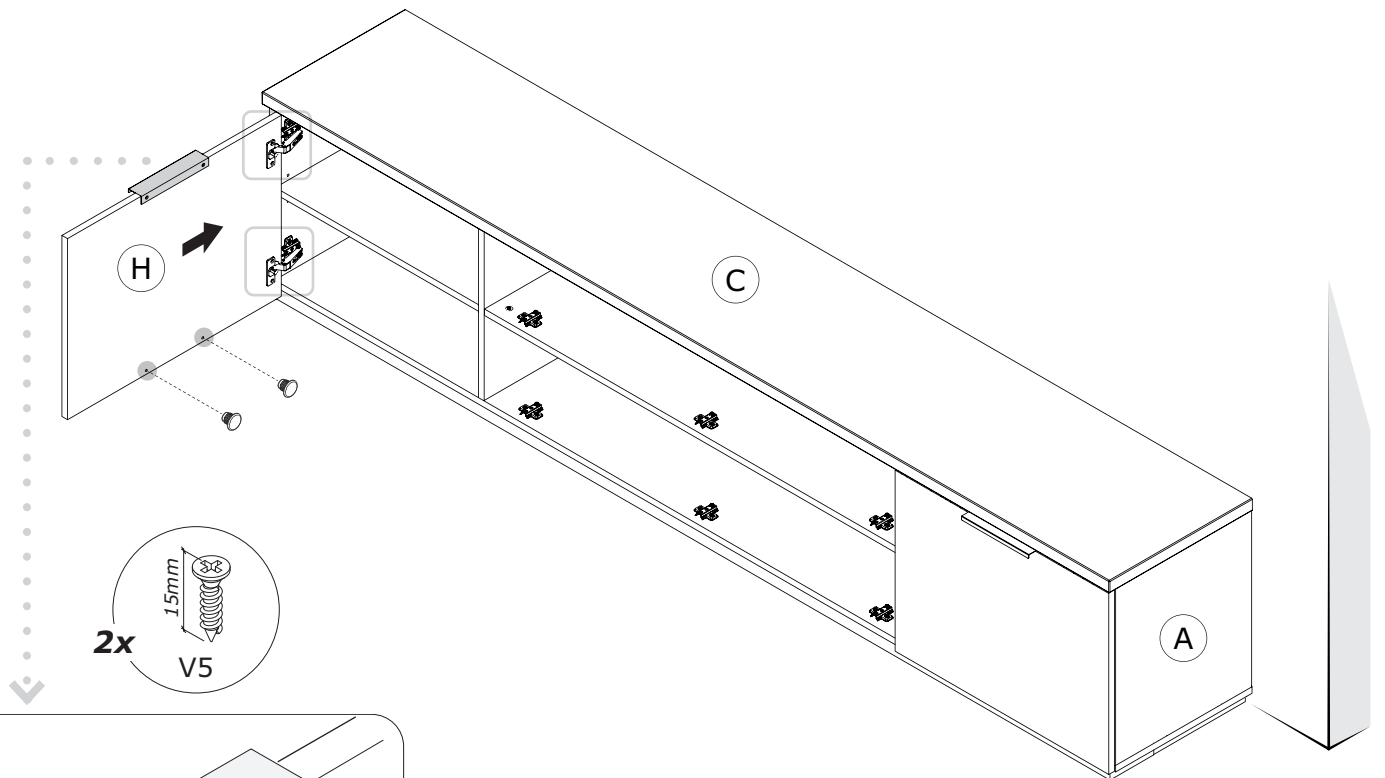
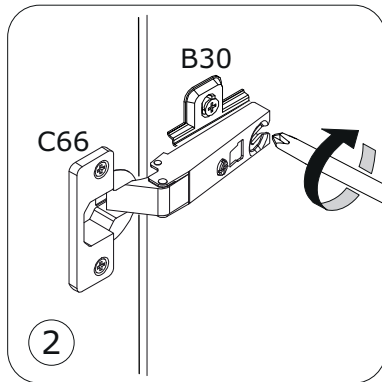
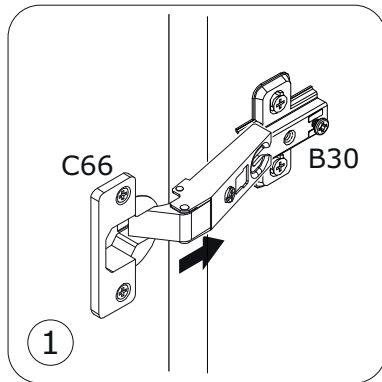
2x



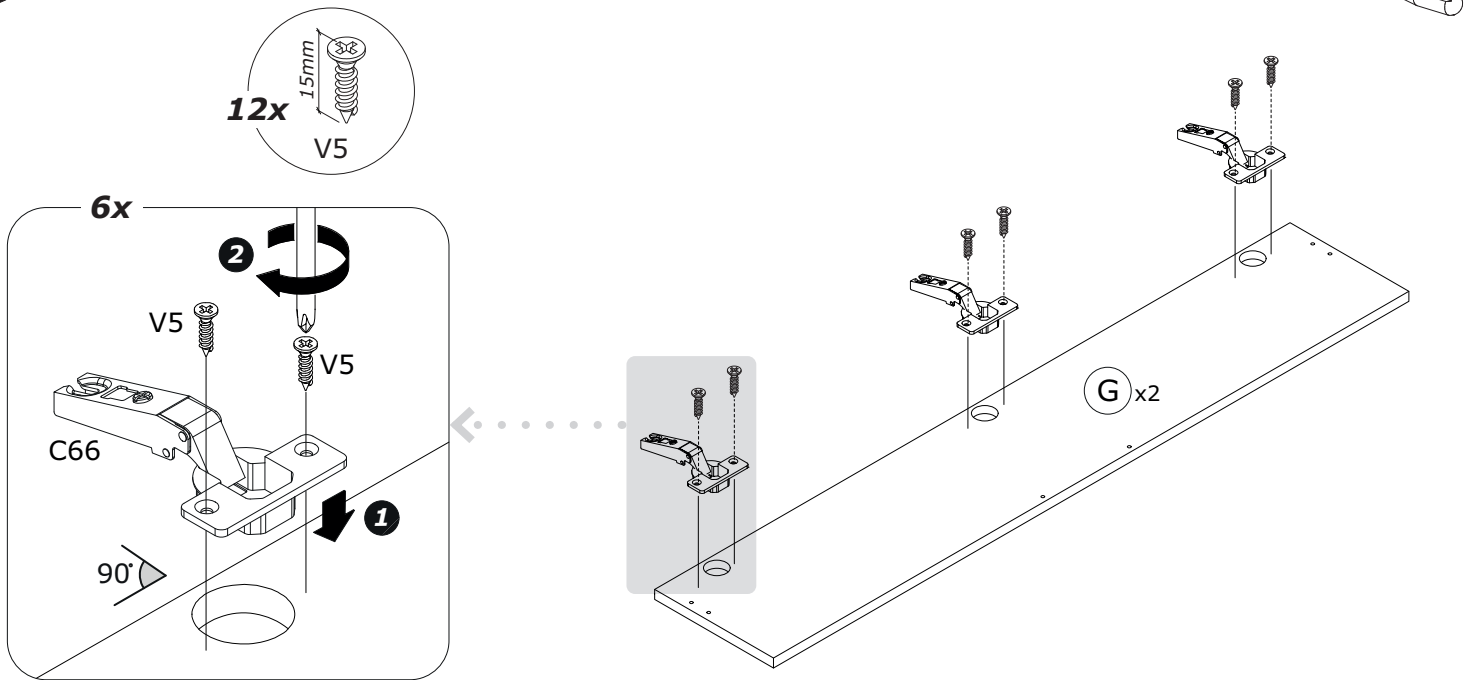
26



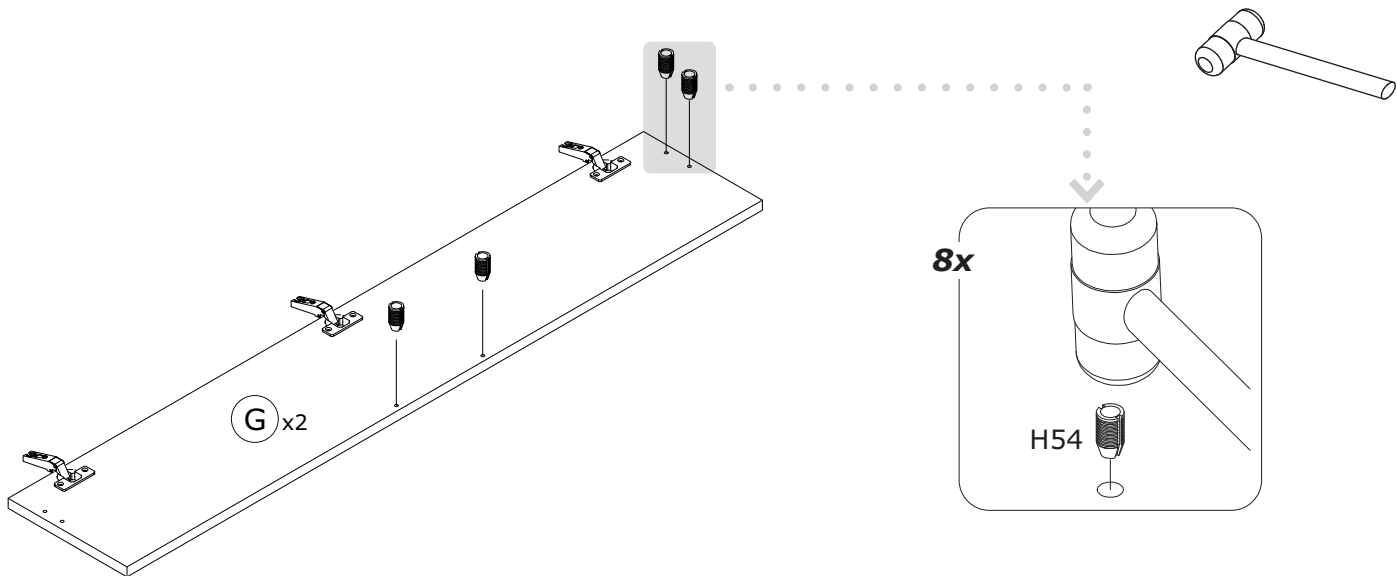
27



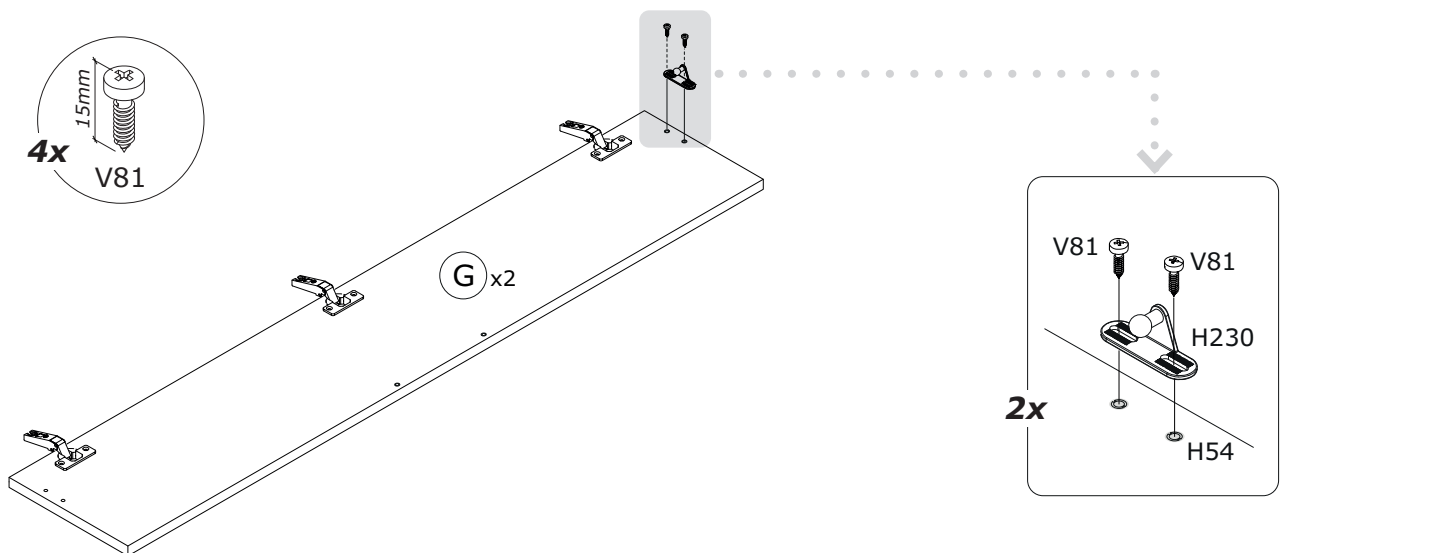
28



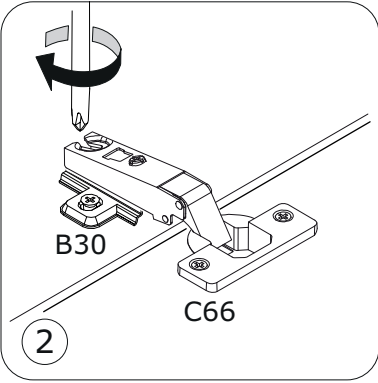
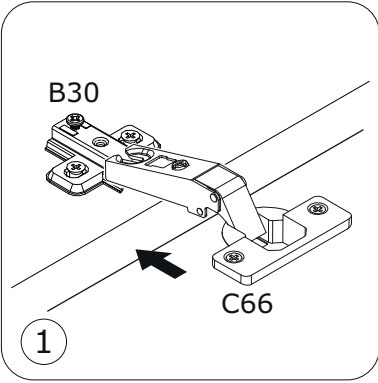
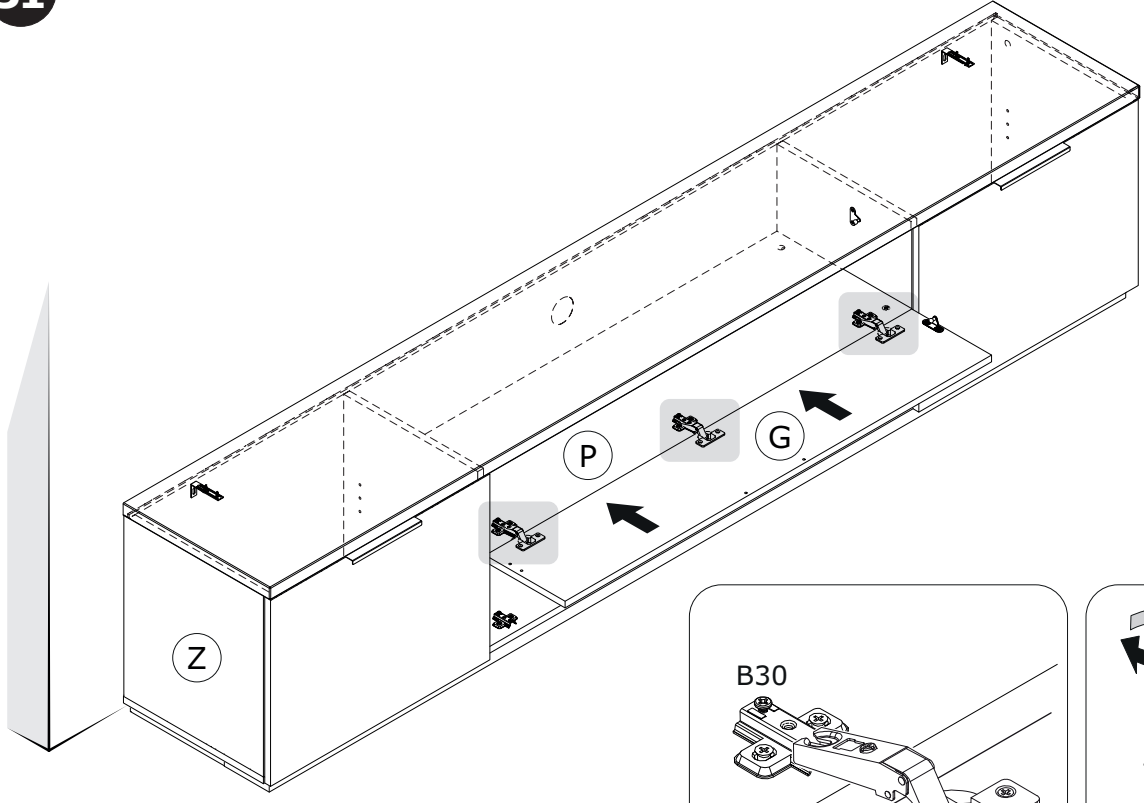
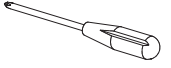
29



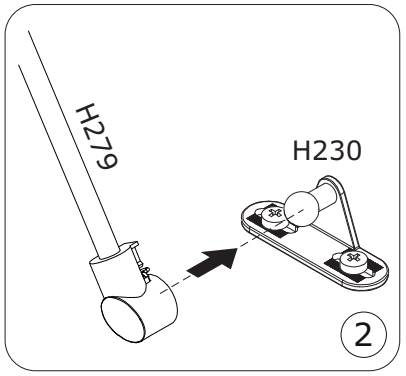
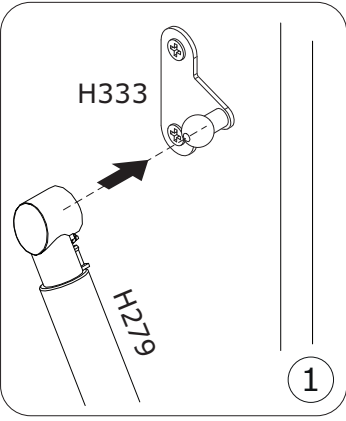
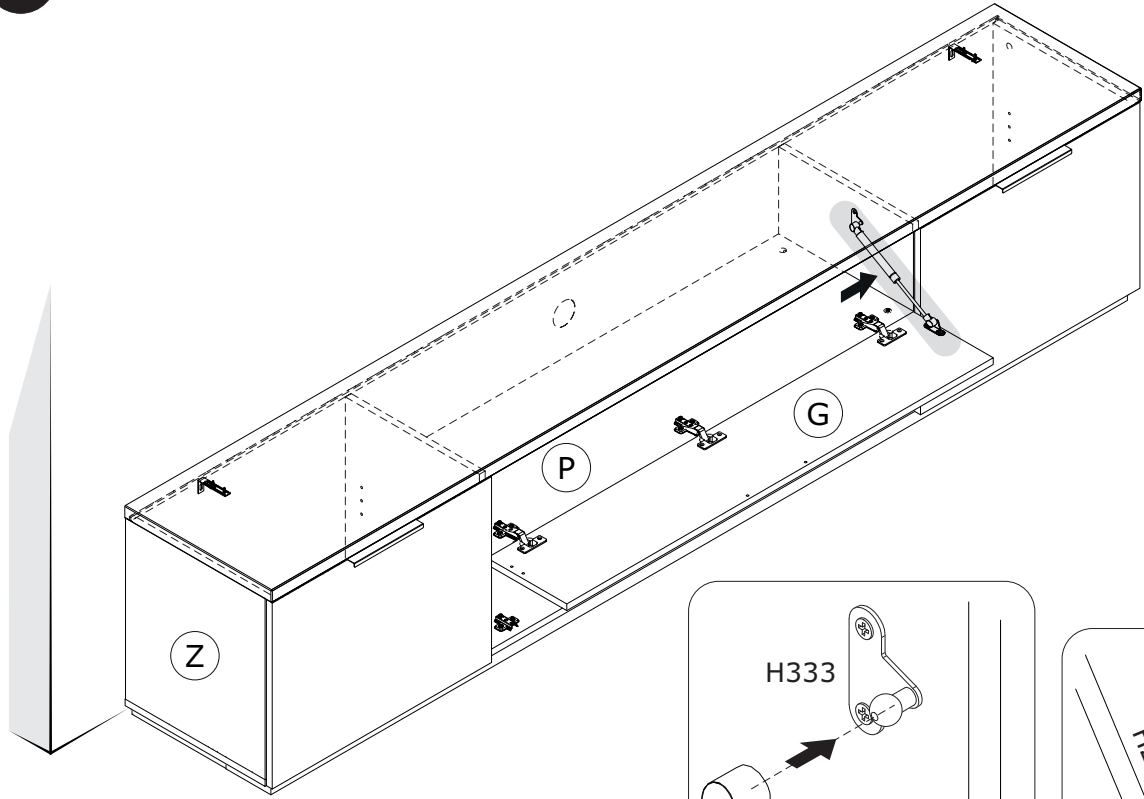
30



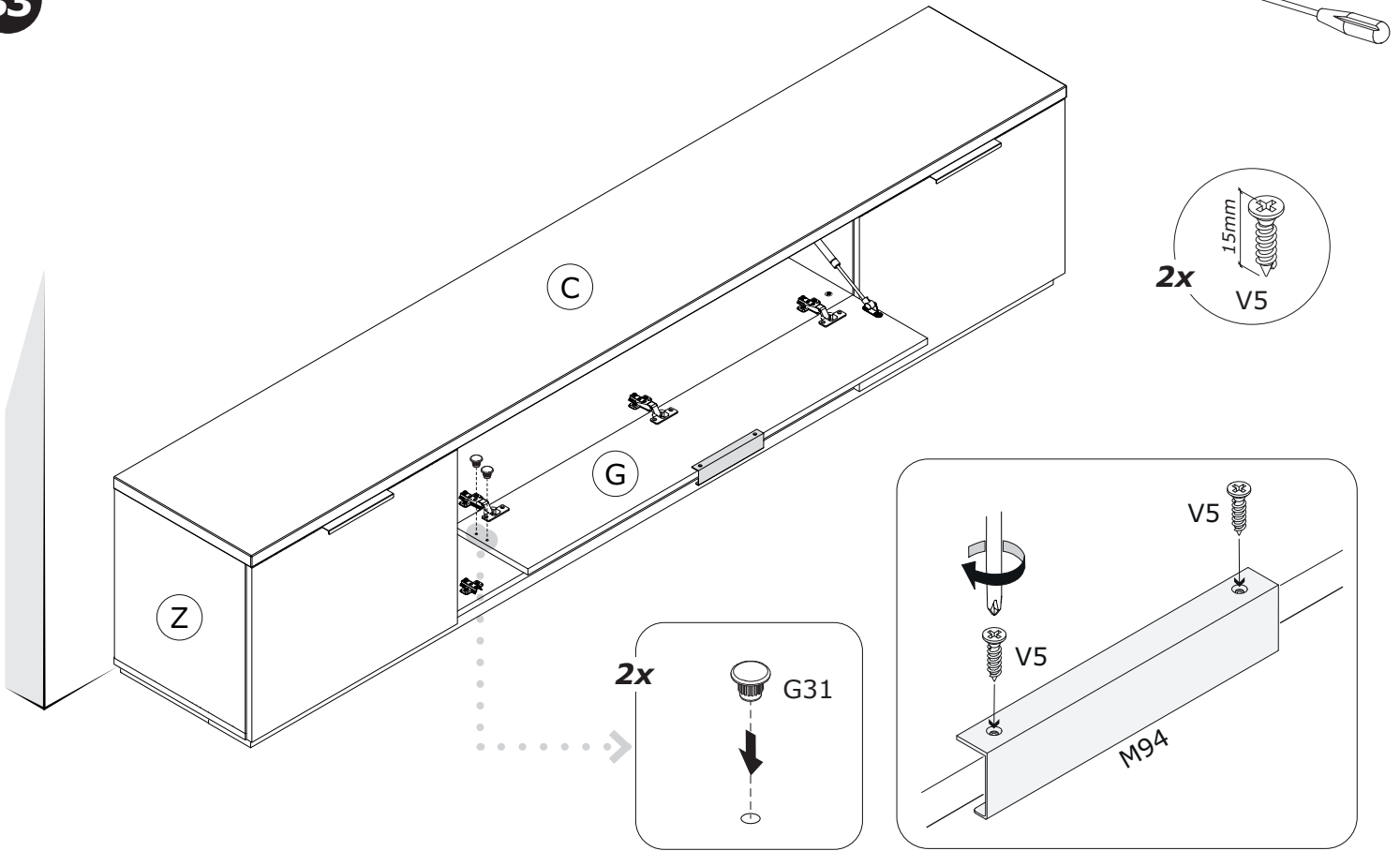
31



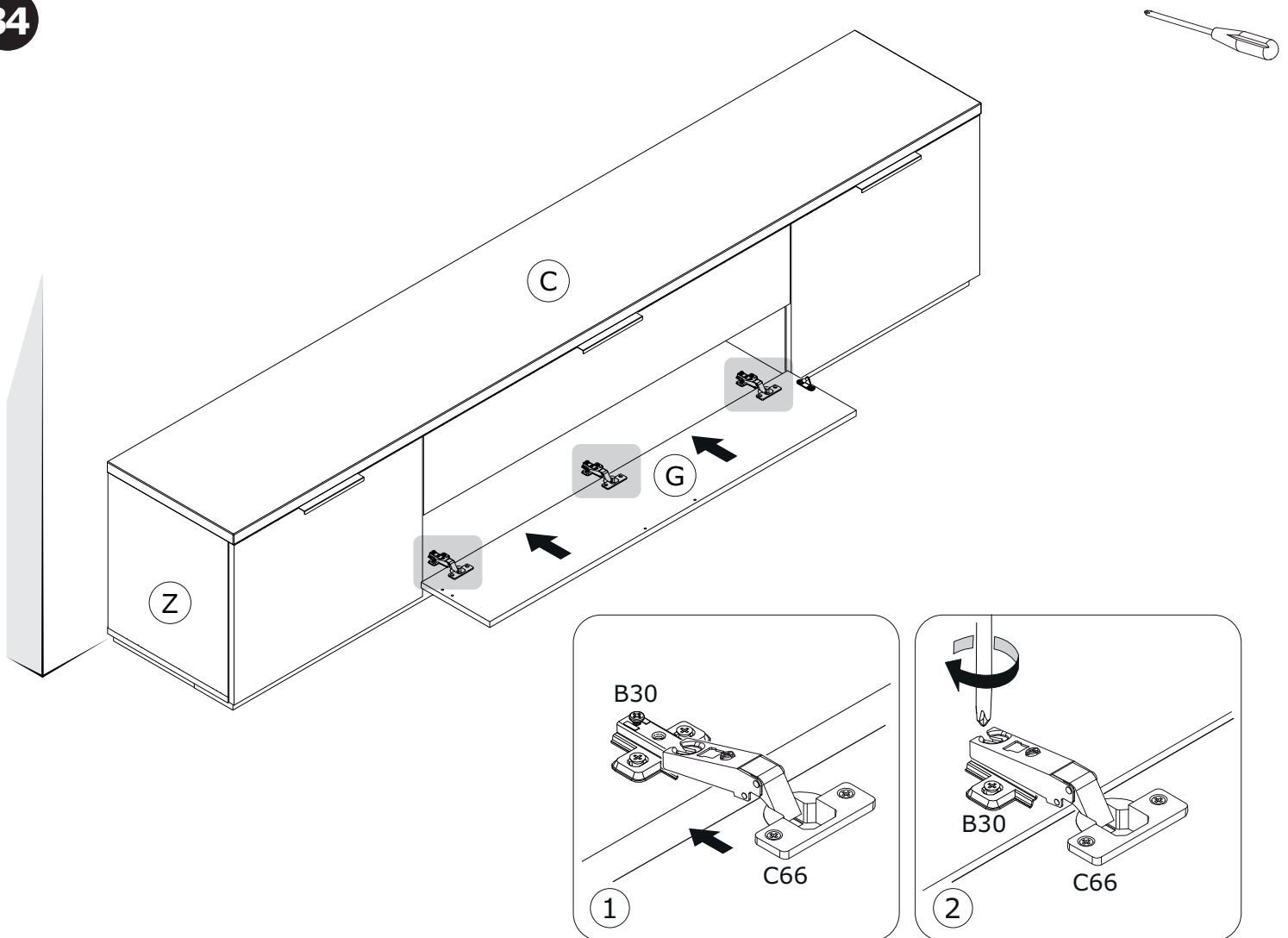
32



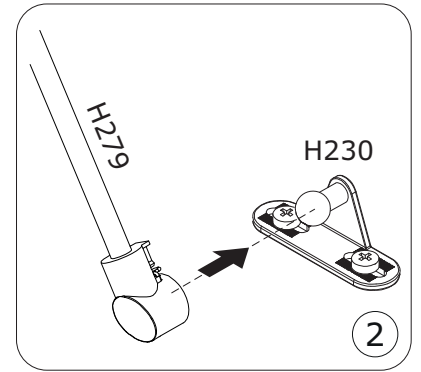
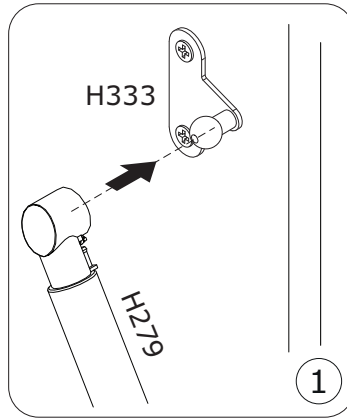
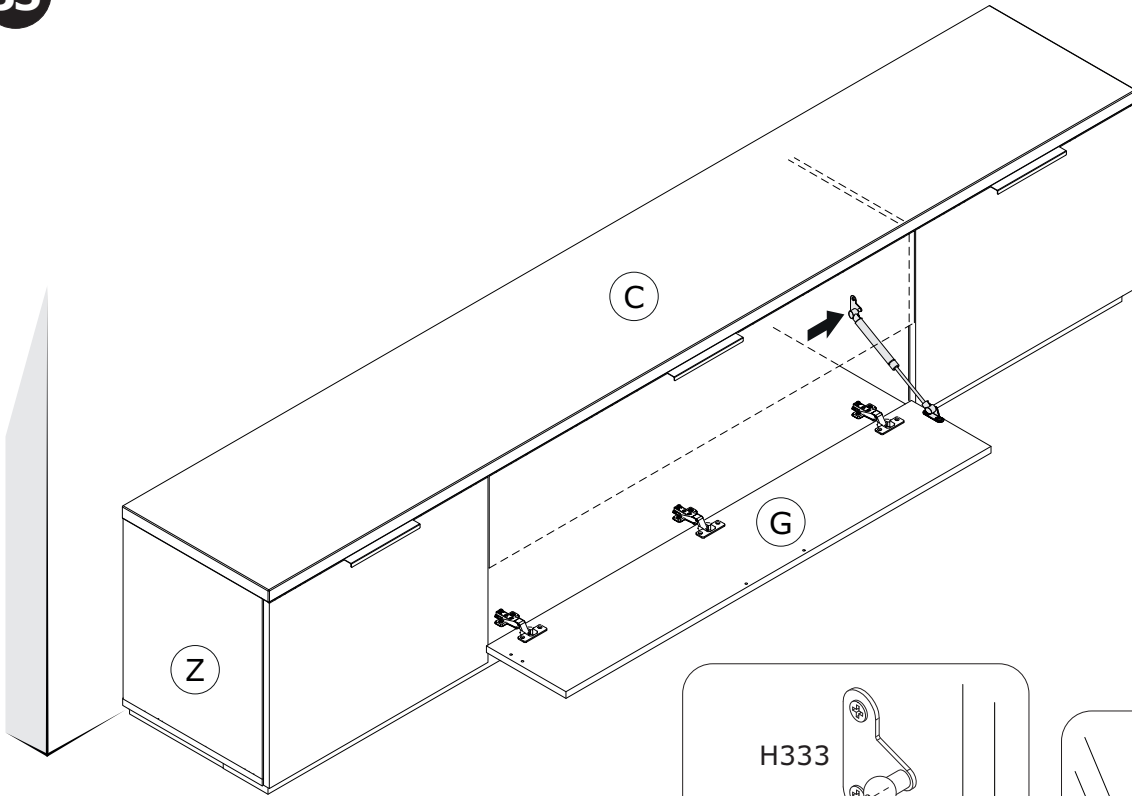
33



34



35



36

