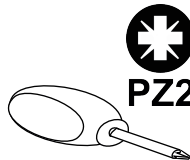
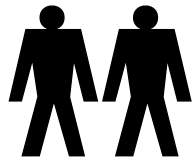


# PORTIMAO

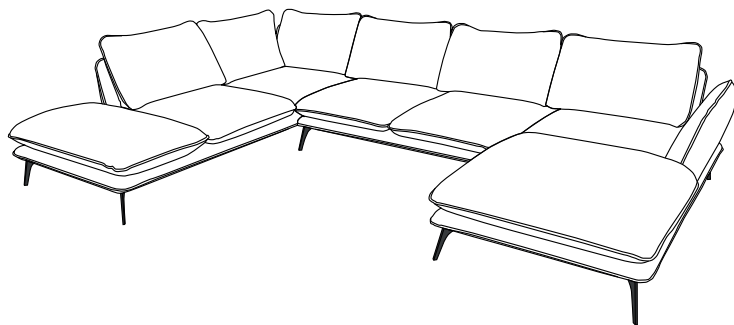
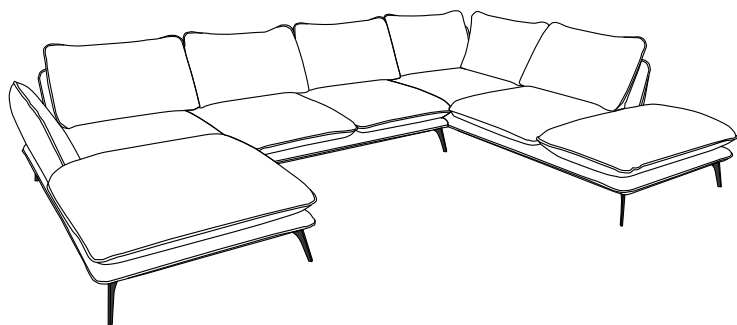
U-FORM



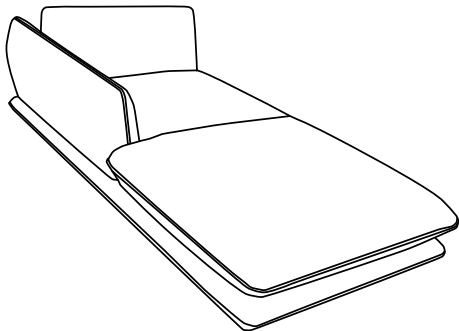
30min



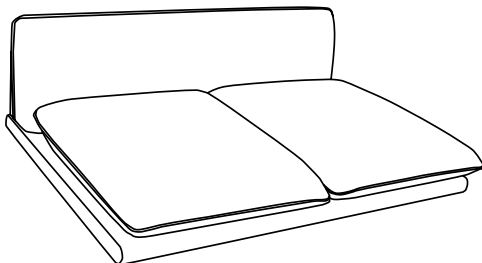
   
PZ2 PH3



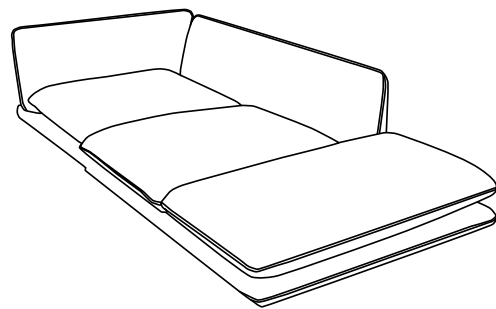
I



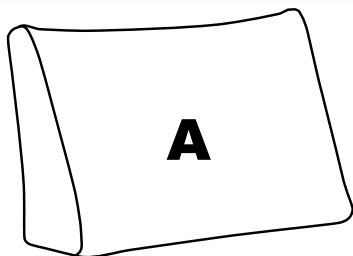
II



III

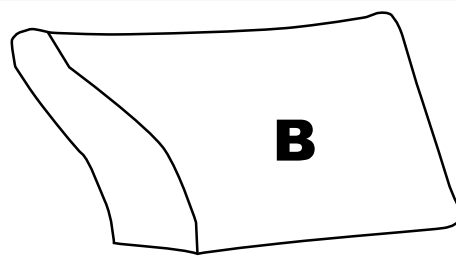


IV



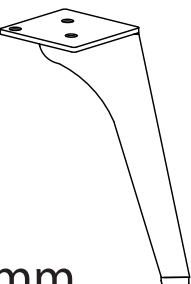
**A**

V



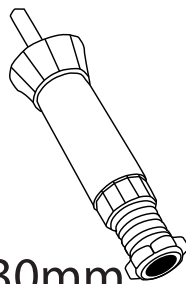
**B**

**Ax12**



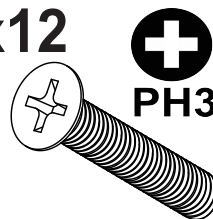
H=195mm

**Bx3**



H=130-230mm

**Cx12**



6x35

  
PH3

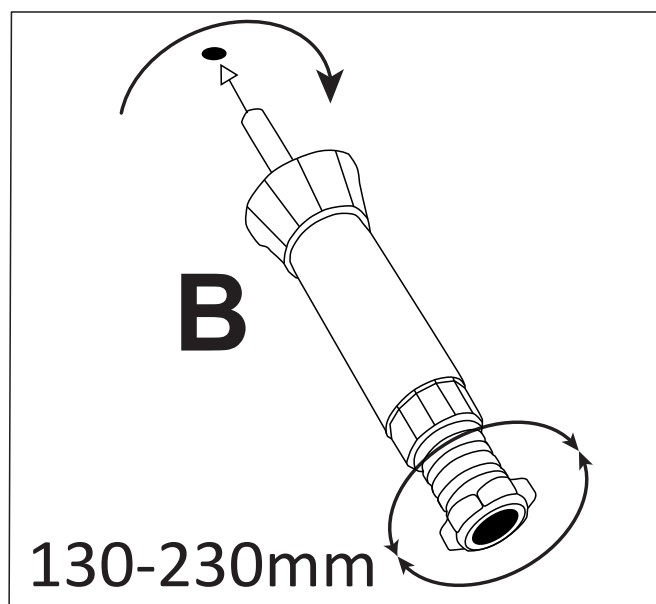
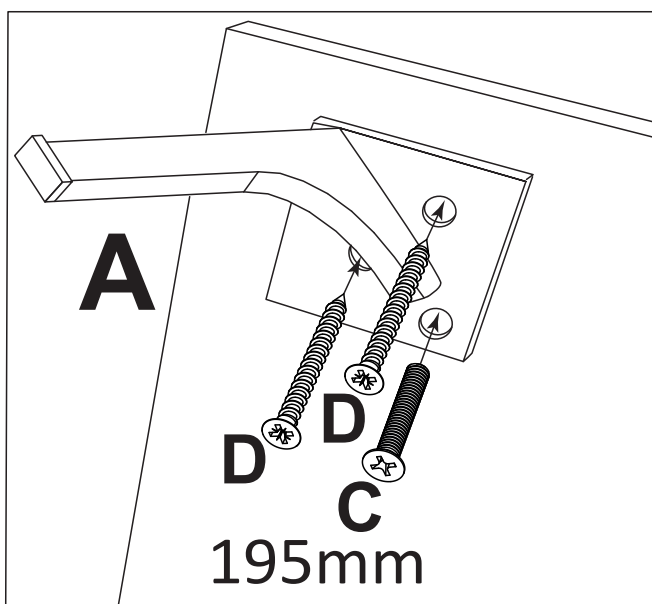
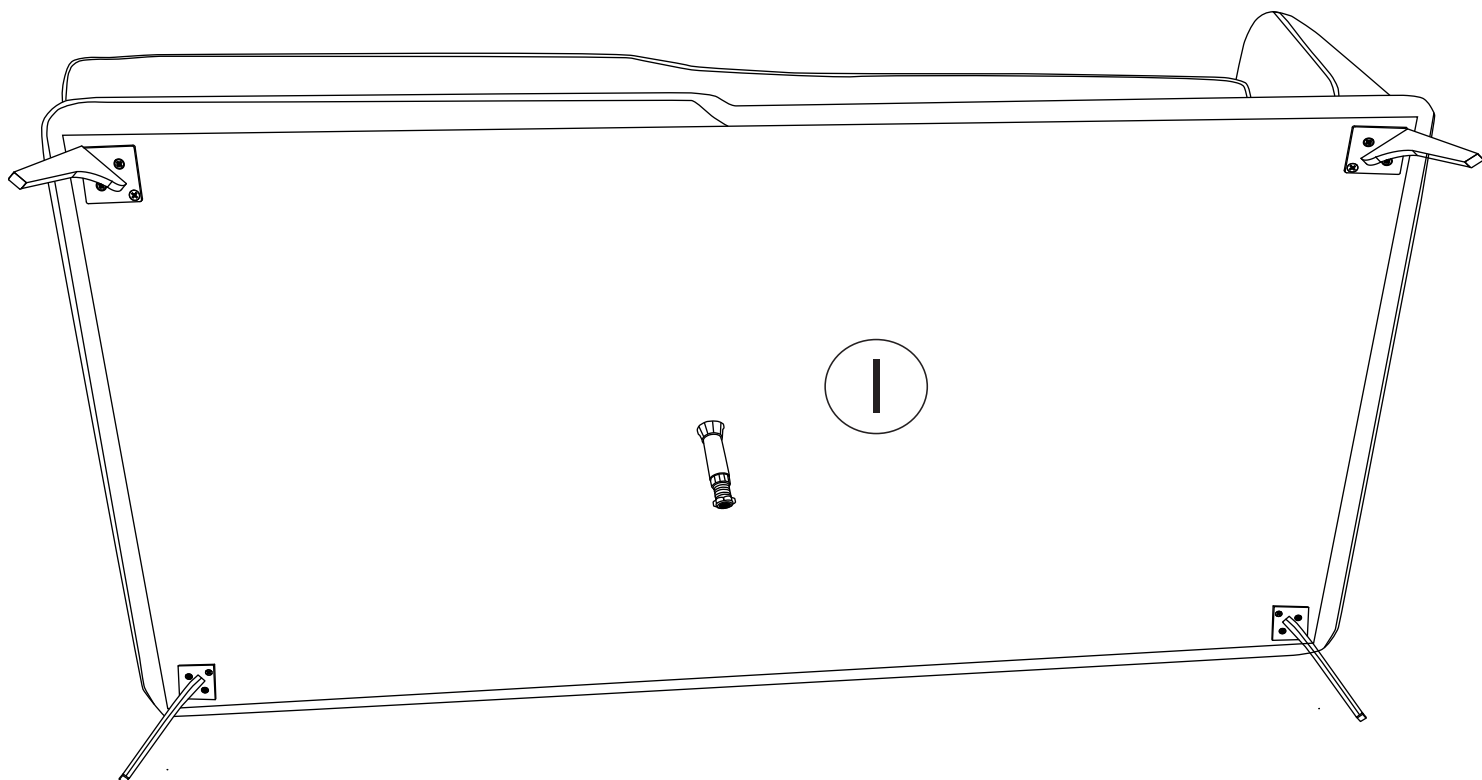
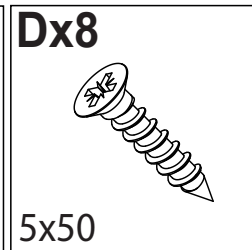
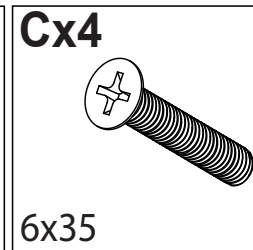
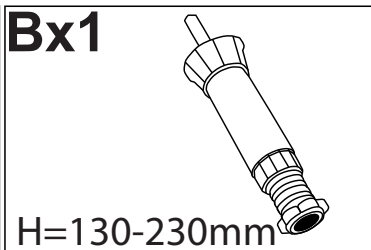
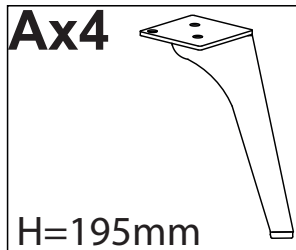
**Dx24**



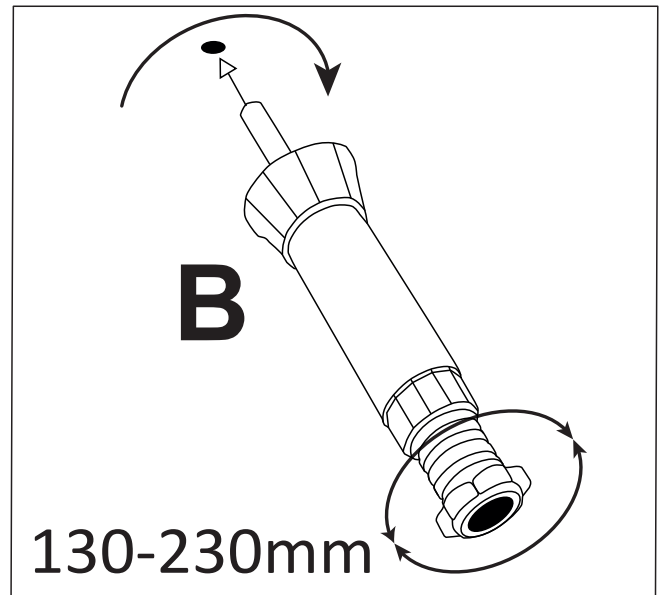
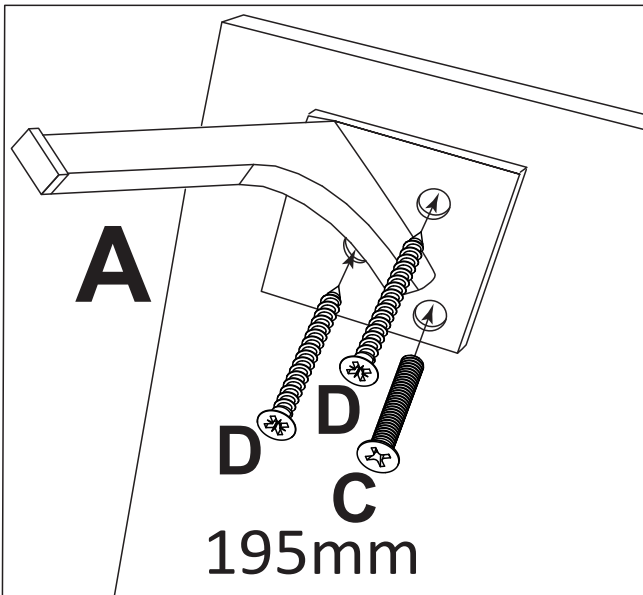
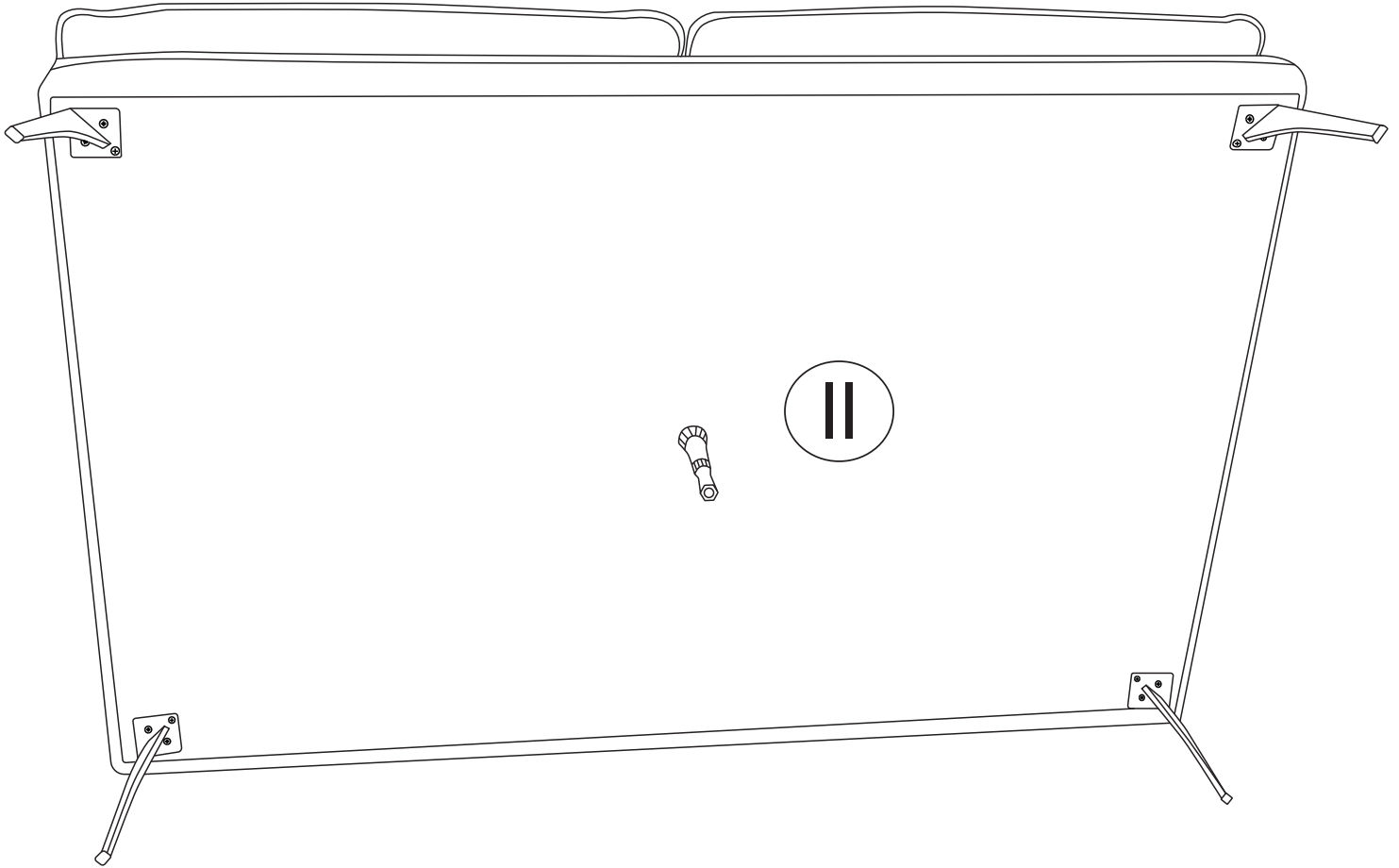
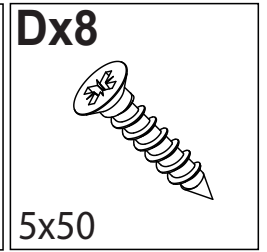
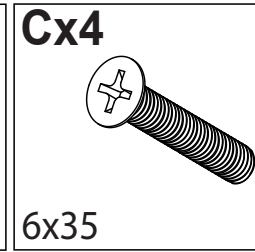
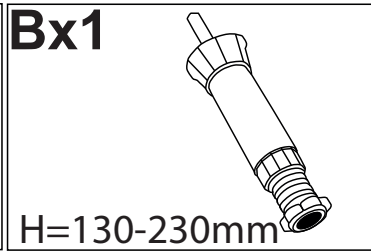
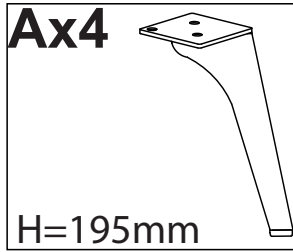
5x50

  
PZ2

1

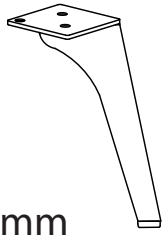


2



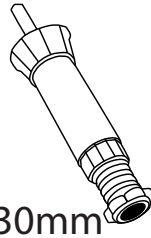
3

Ax4



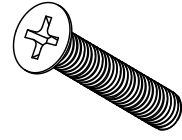
H=195mm

Bx1



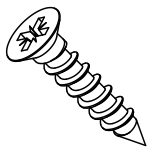
H=130-230mm

Cx4

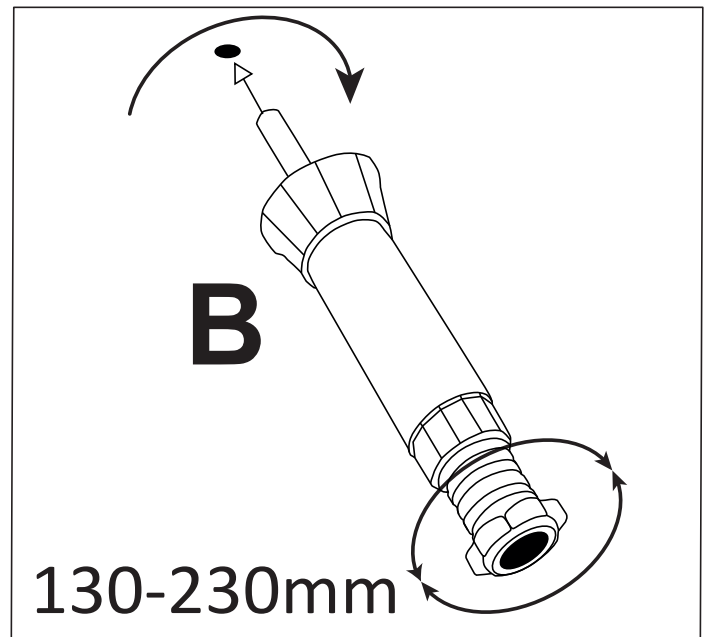
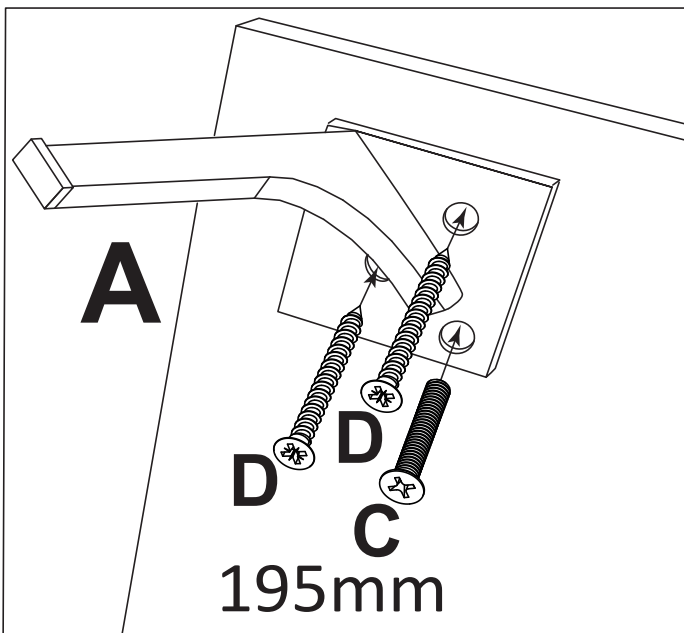
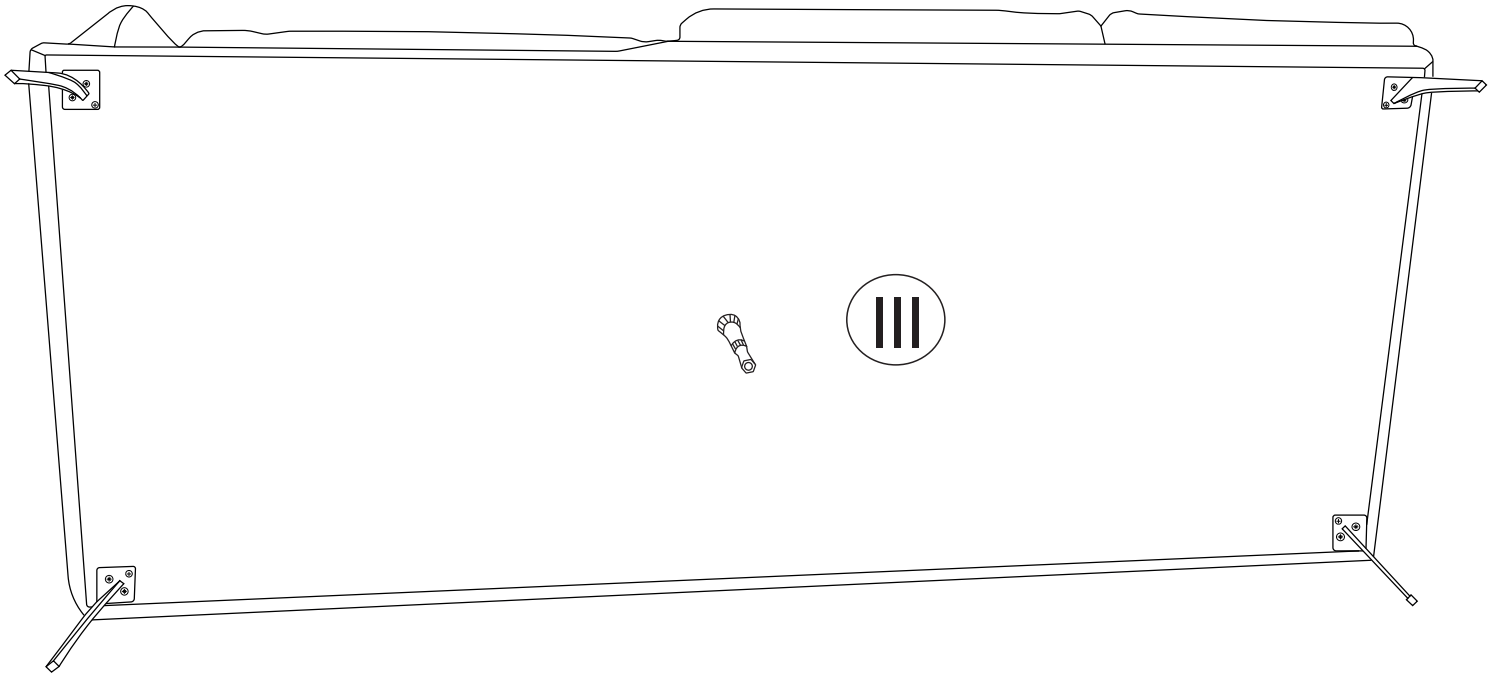


6x35

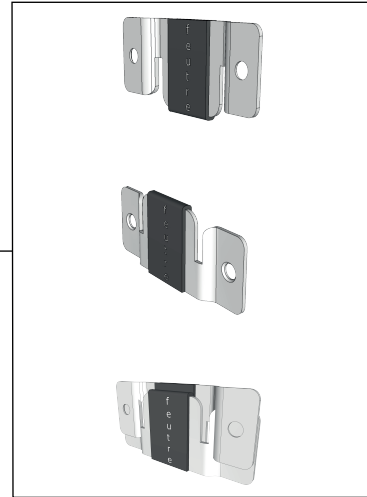
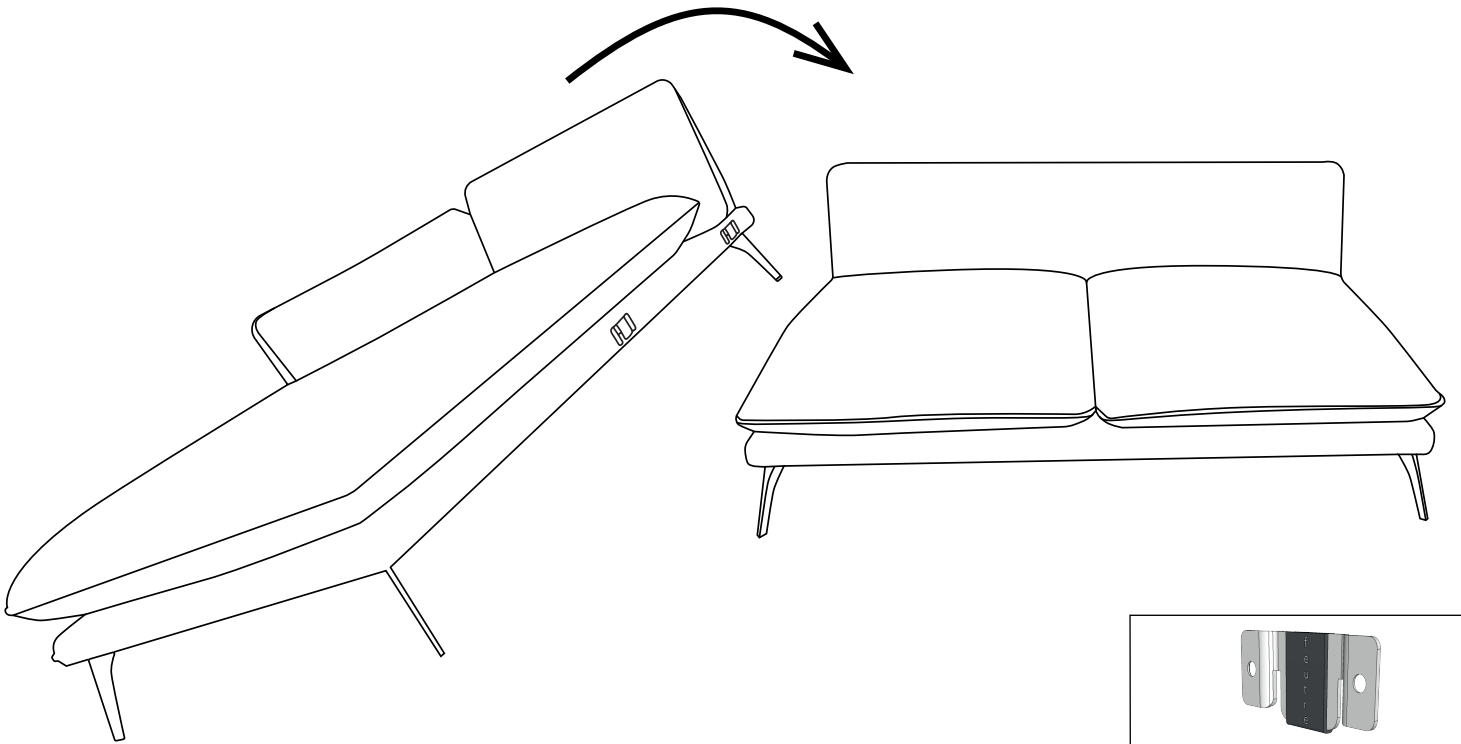
Dx8



5x50



4



5

