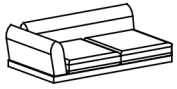
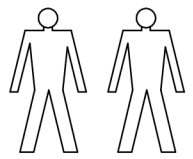
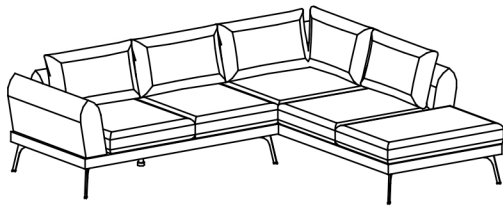
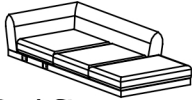


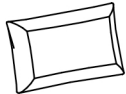
# PORTIMAO



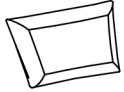
A - 1 St.



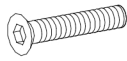
B - 1 St.



C - 4 St.



D - 1 St.



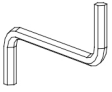
F - 32 St.  
M8 x 30mm



G - 8 St.

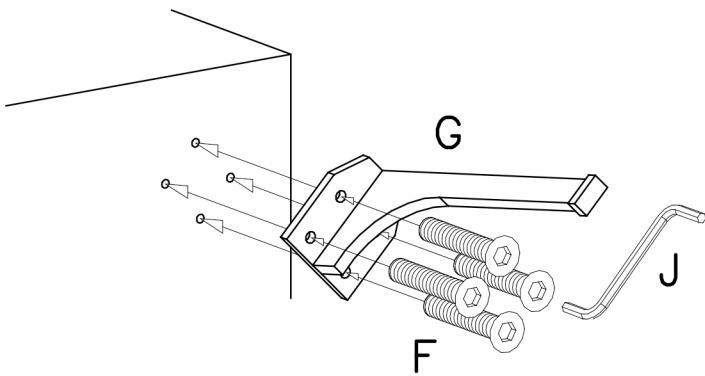
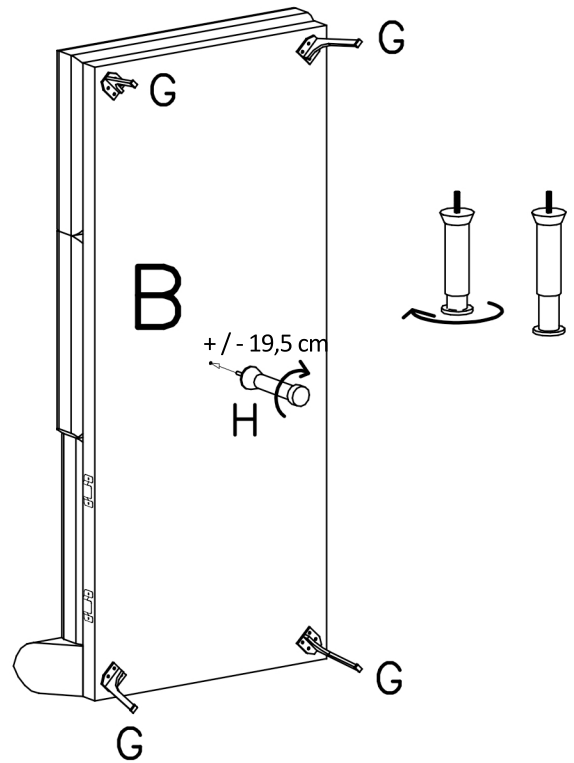
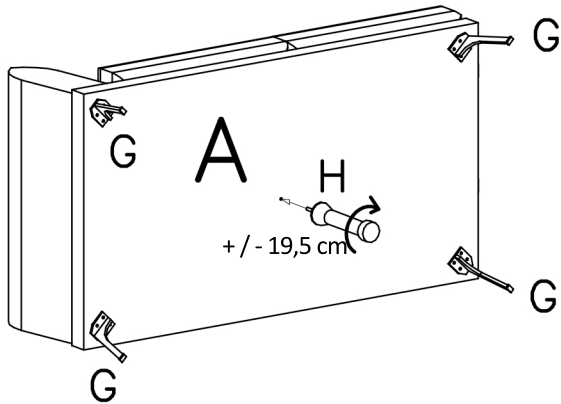


H - 2 St.  
13-23cm

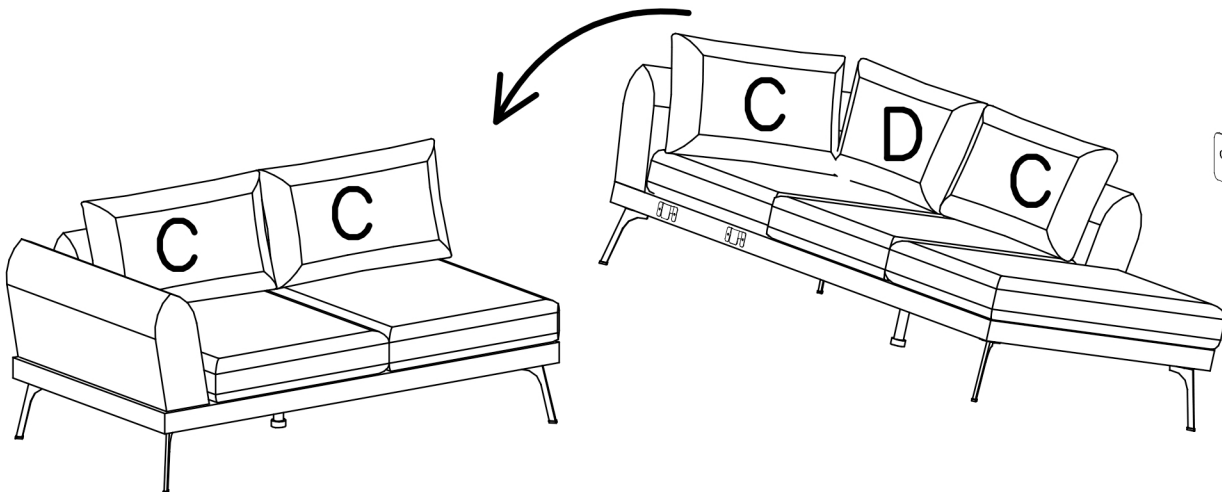


J - 1 St.

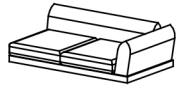
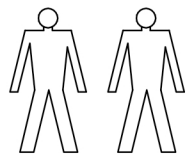
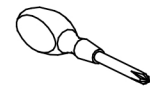
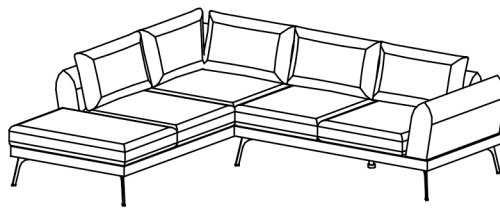
I



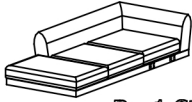
II



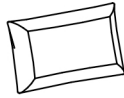
# PORTIMAO



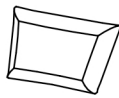
A - 1 St.



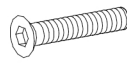
B - 1 St.



C - 4 St.



D - 1 St.



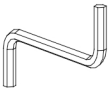
F - 32 St.  
M8 x 30mm



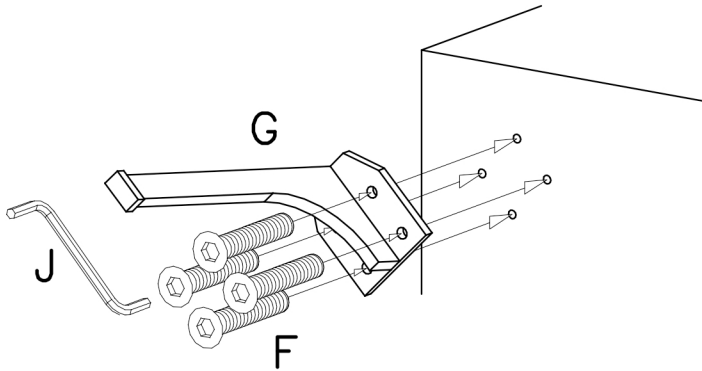
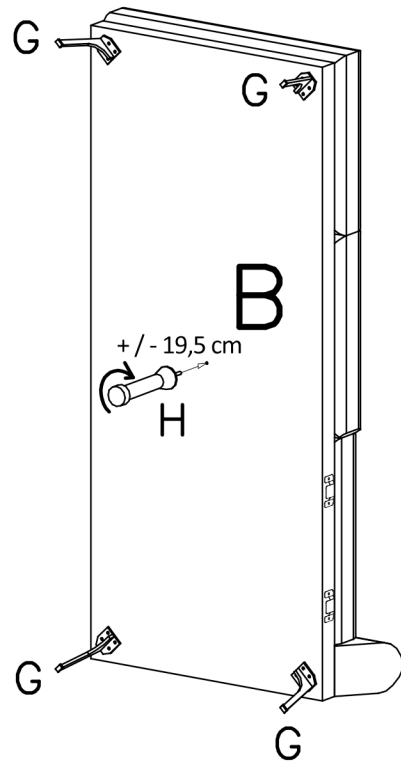
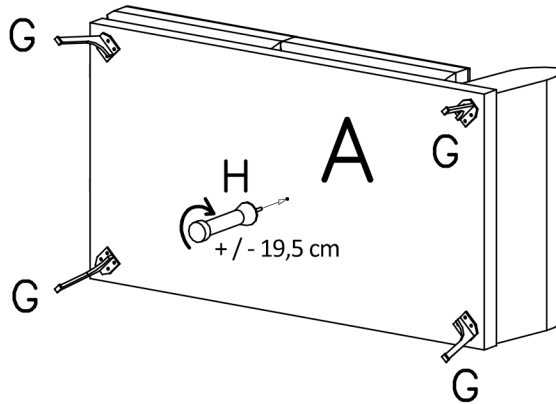
G - 8 St.



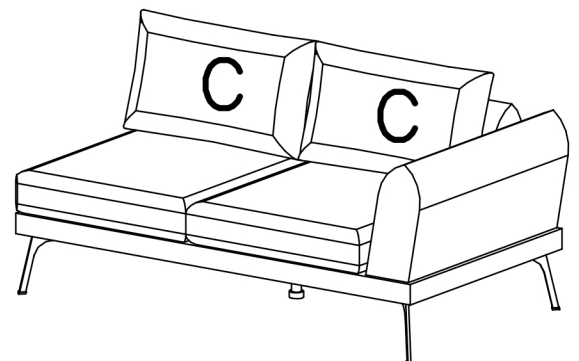
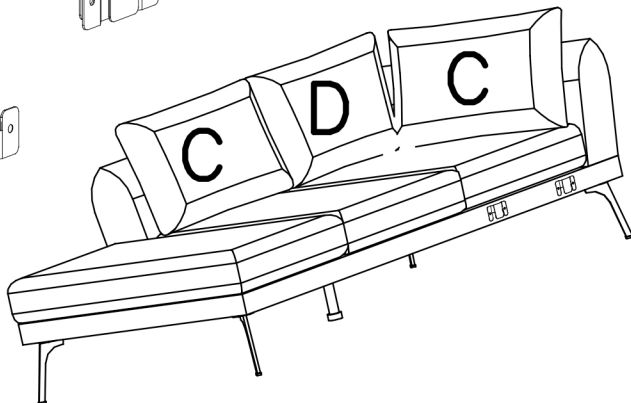
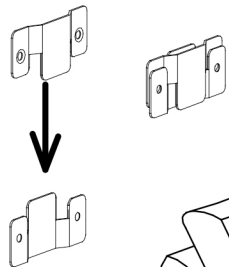
H - 2 St.  
13-23cm



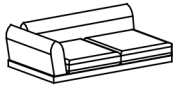
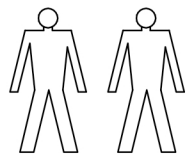
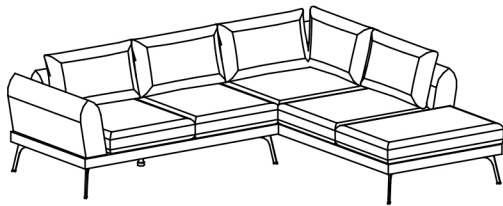
I



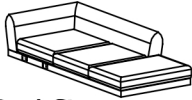
II



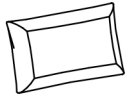
# PORTIMAO



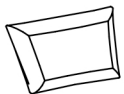
A - 1 St.



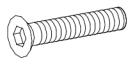
B - 1 St.



C - 4 St.



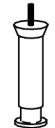
D - 1 St.



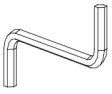
F - 32 St.  
M8 x 30mm



G - 8 St.

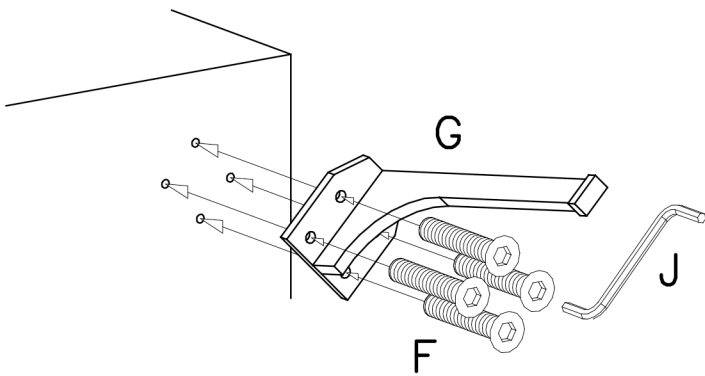
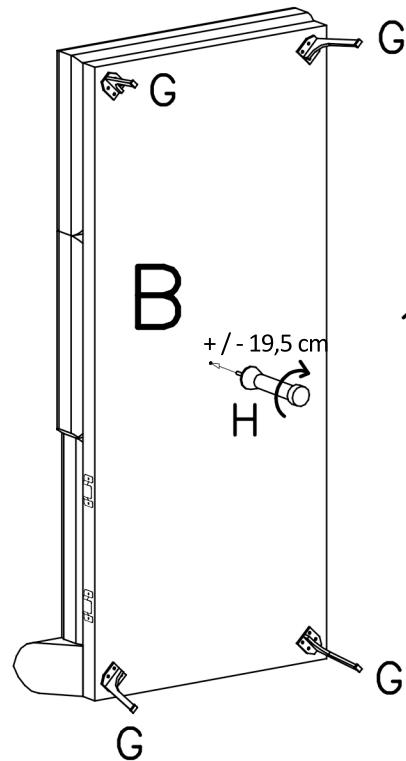
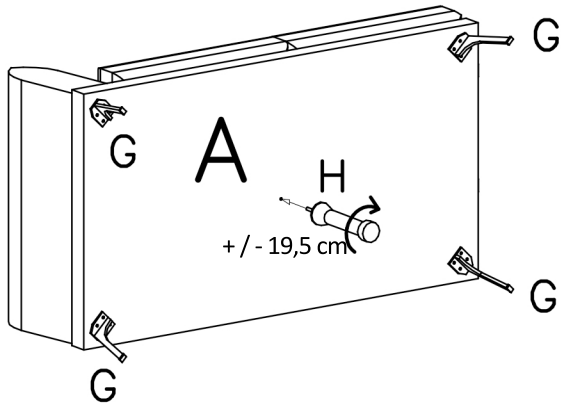


H - 2 St.  
13-23cm

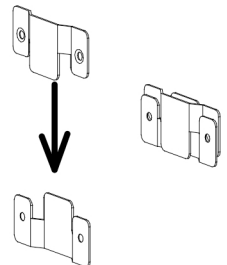
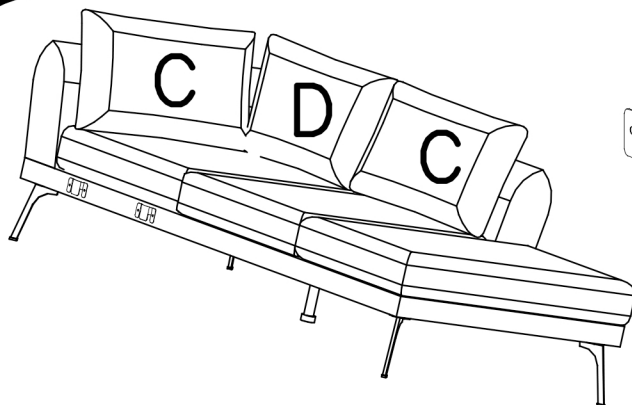
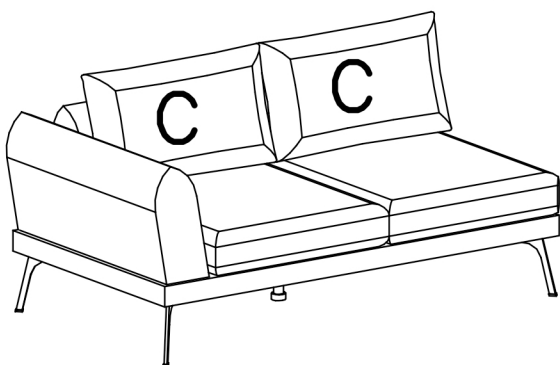


J - 1 St.

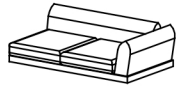
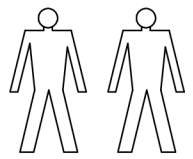
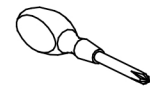
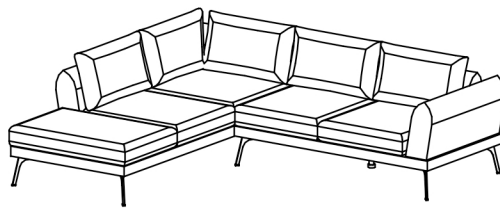
I



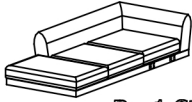
II



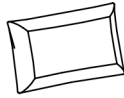
# PORTIMAO



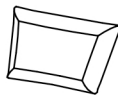
A - 1 St.



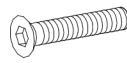
B - 1 St.



C - 4 St.



D - 1 St.



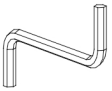
F - 32 St.  
M8 x 30mm



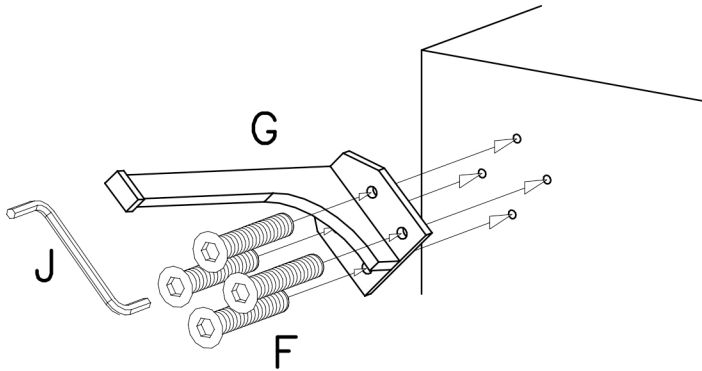
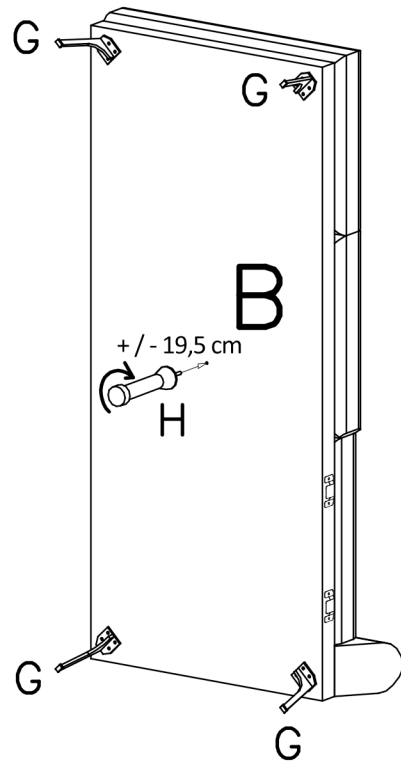
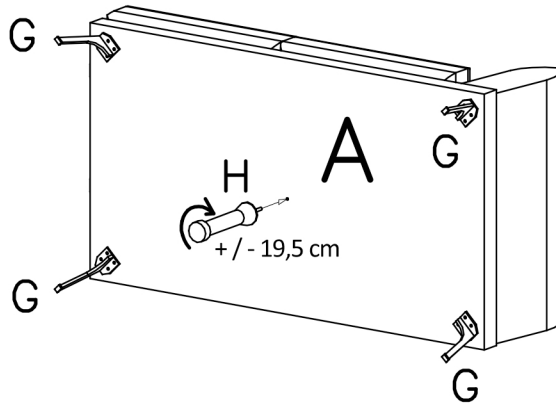
G - 8 St.



H - 2 St.  
13-23cm



I



II

