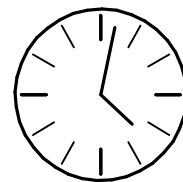
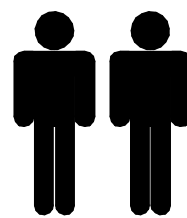
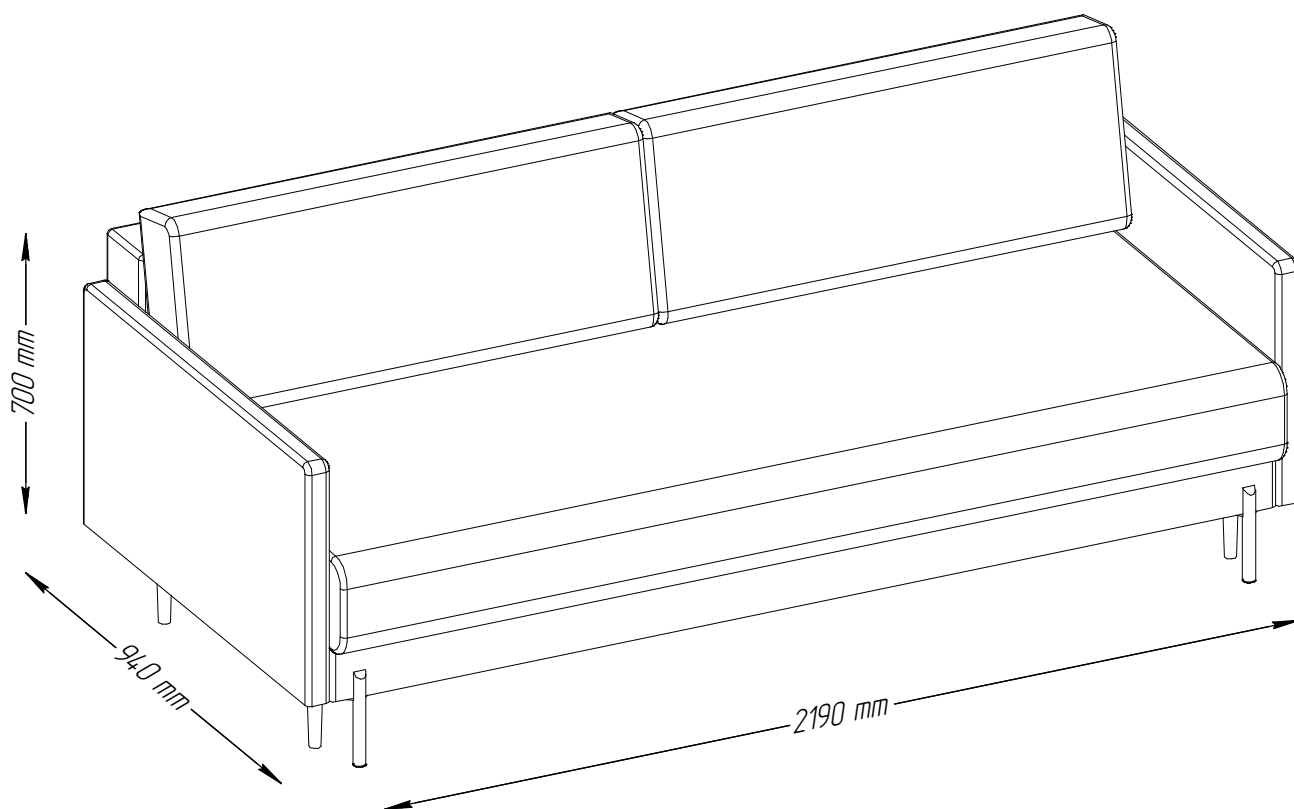
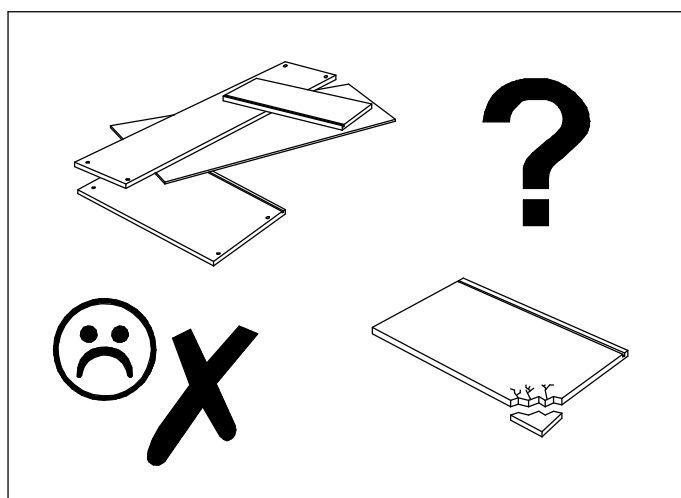
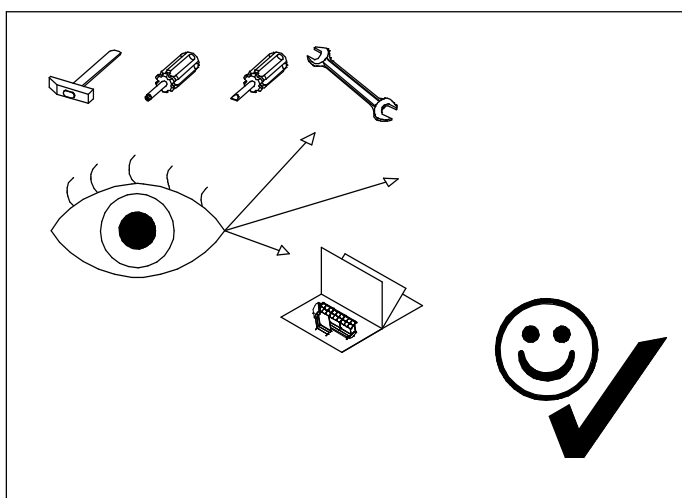
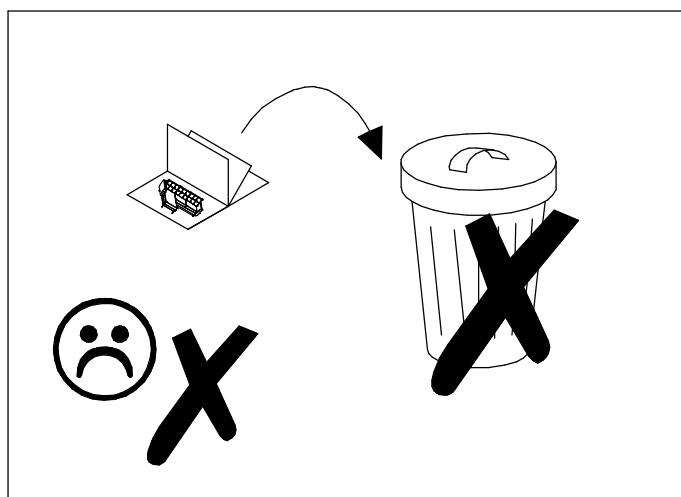
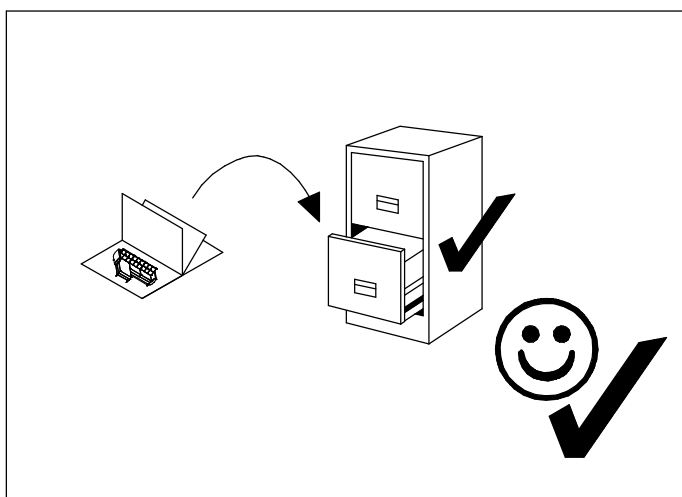
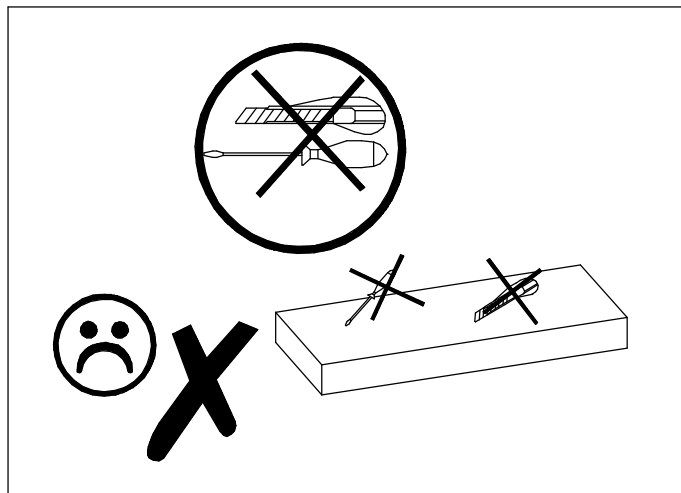
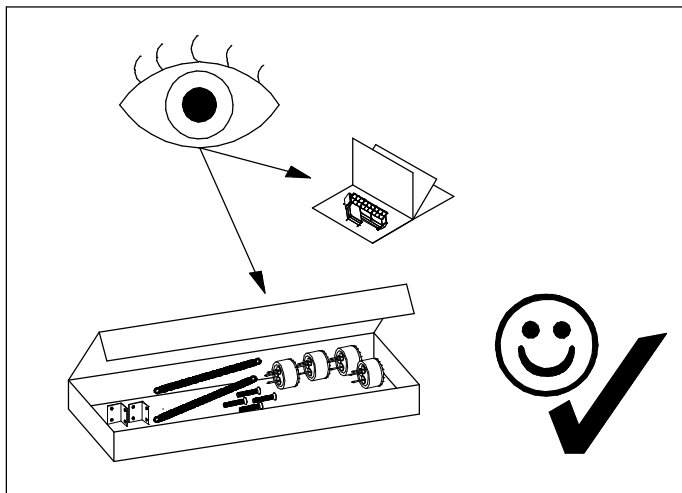


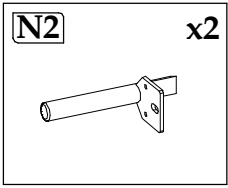
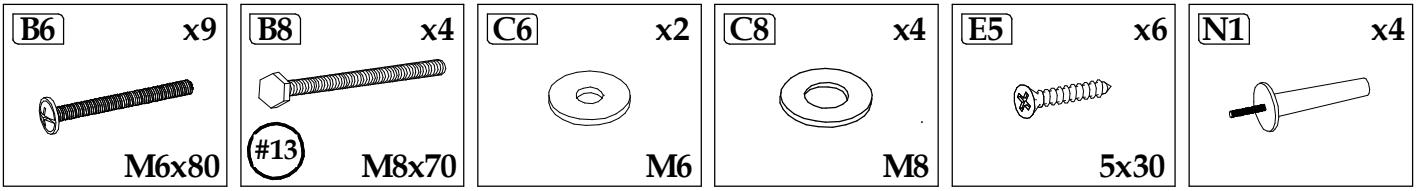
Girona



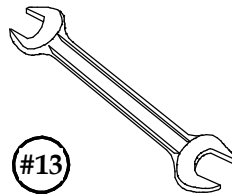
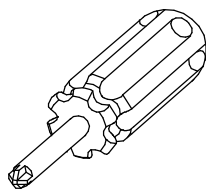
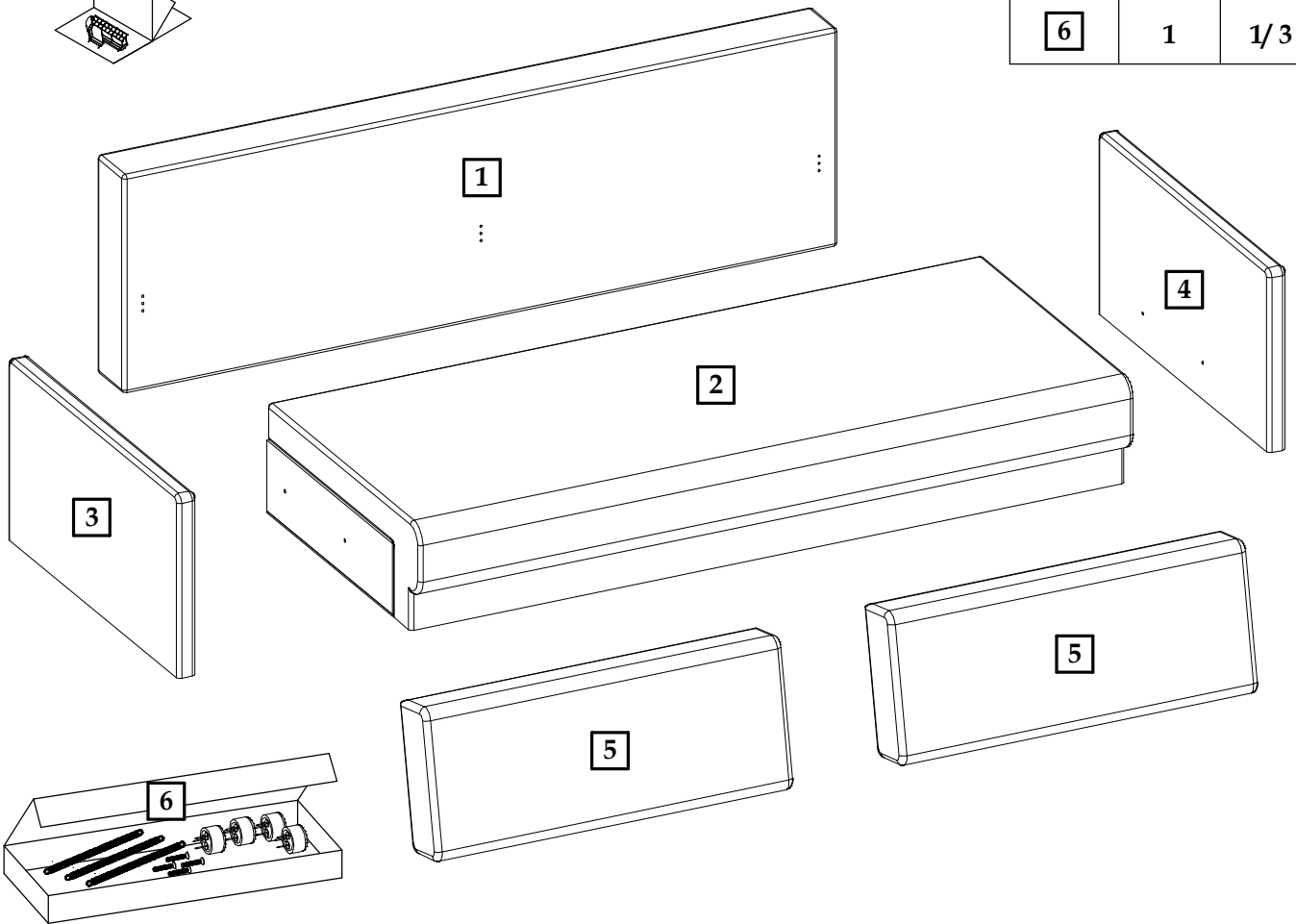
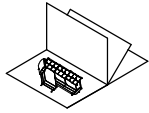
20 min



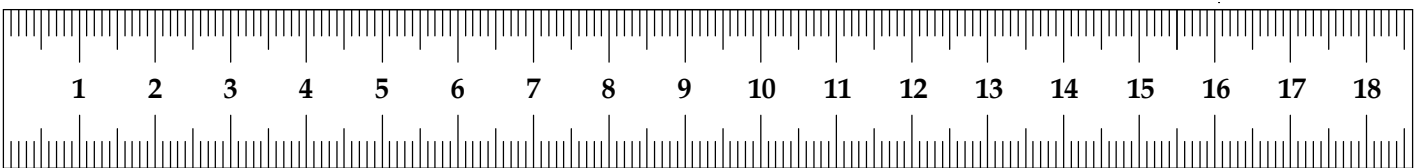
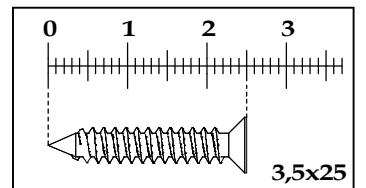




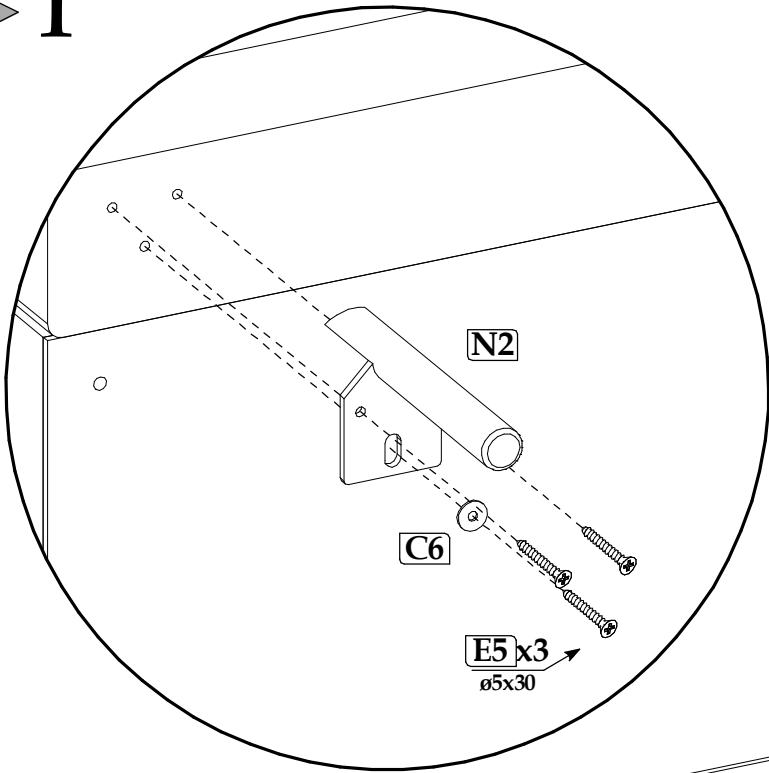
Element symbol	Q-ty	Pack
1	1	1/3
2	1	1/3
3	1	2/3
4	1	2/3
5	2	3/3
6	1	1/3



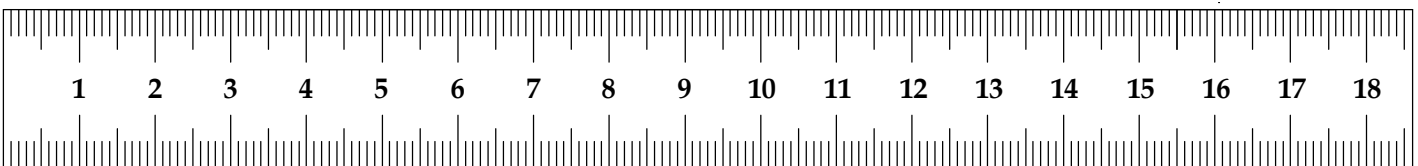
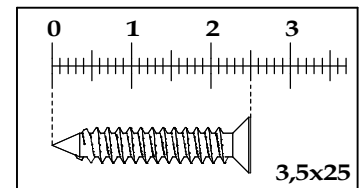
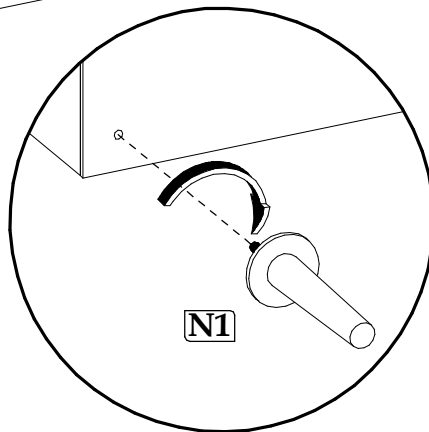
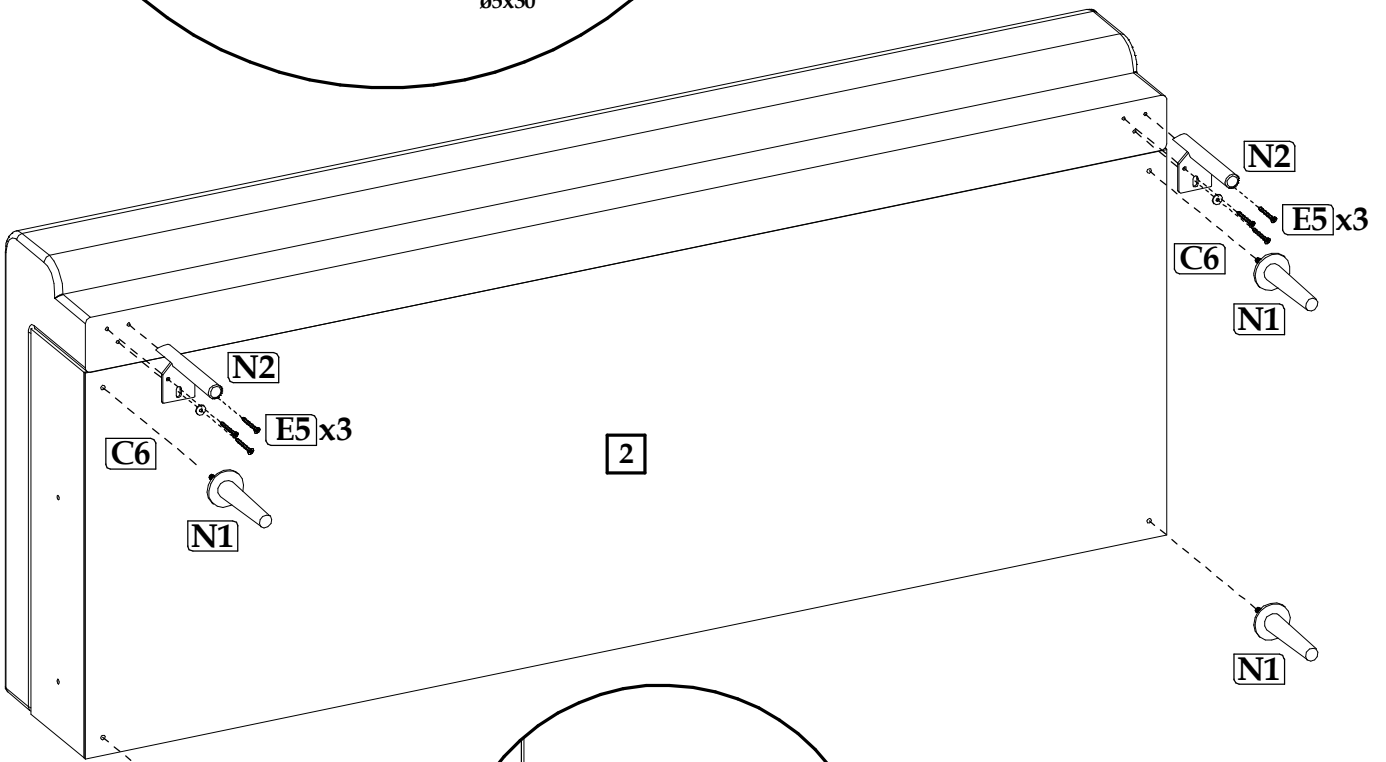
#13



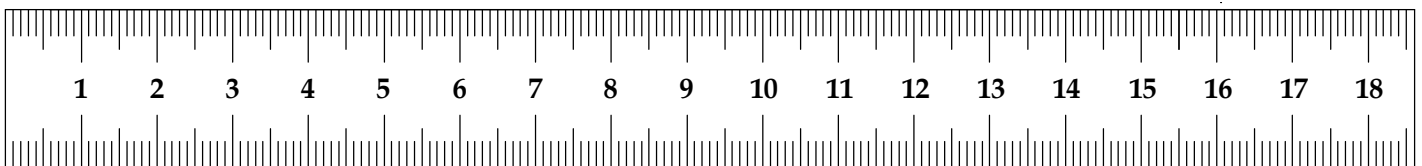
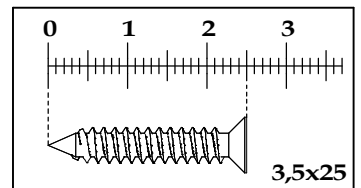
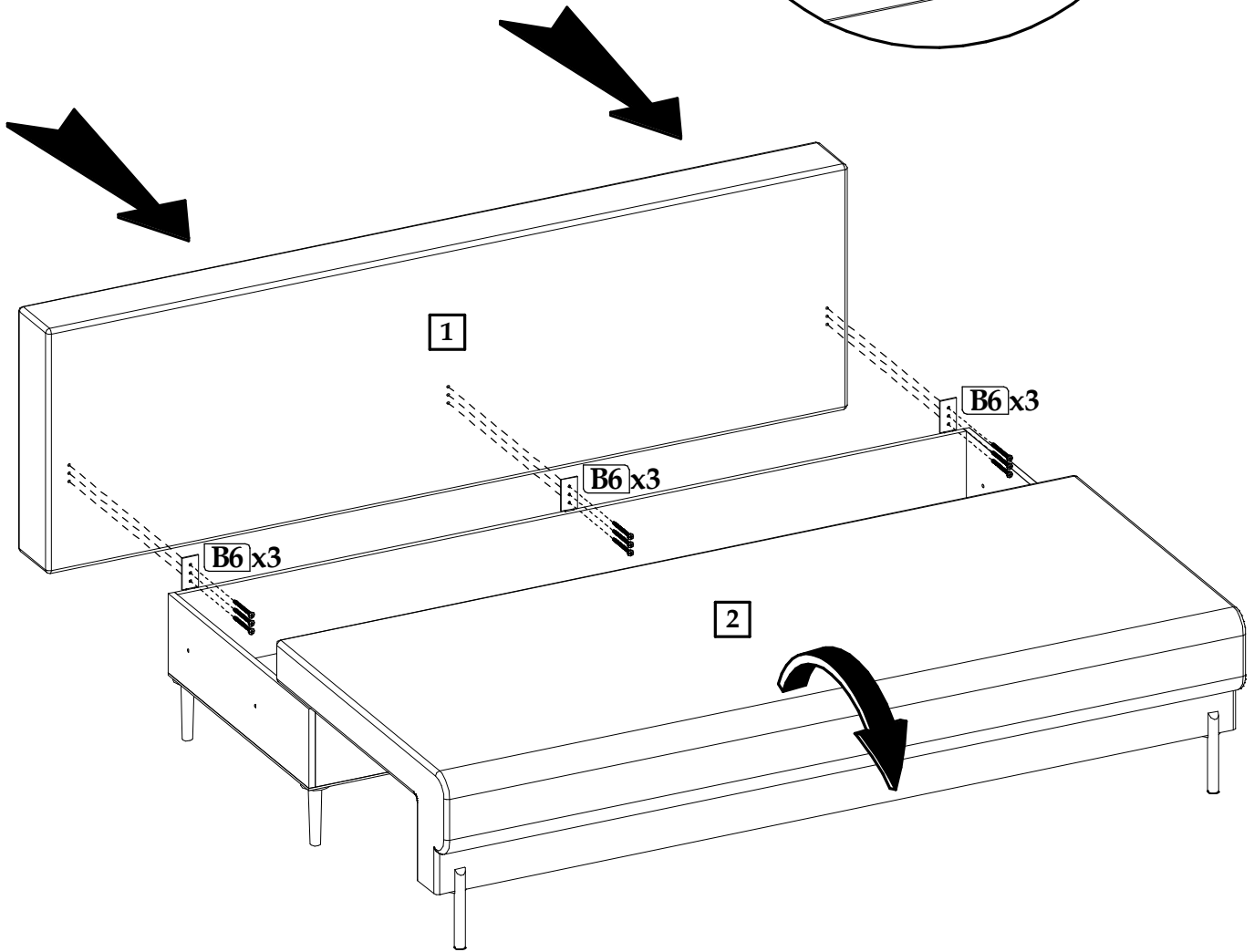
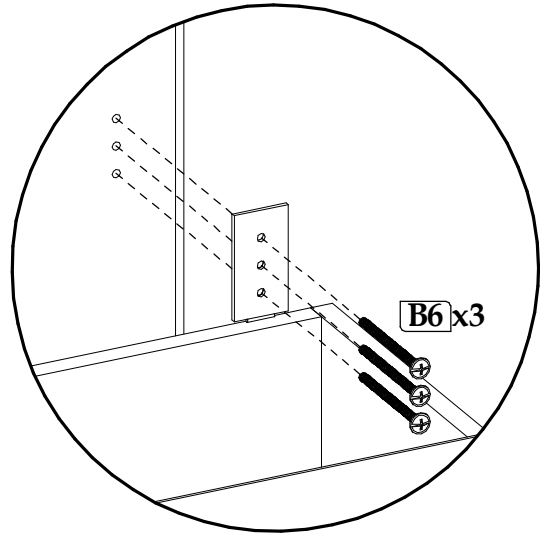
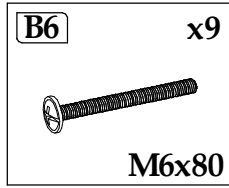
▶ 1



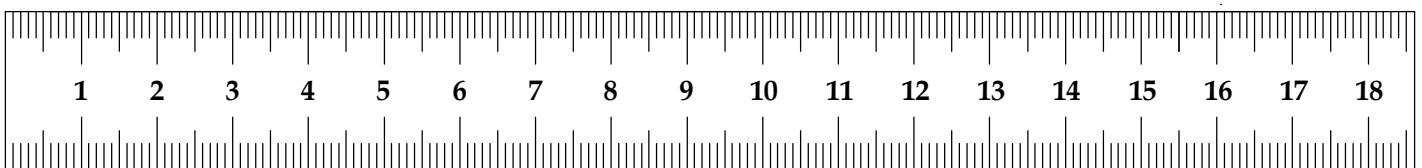
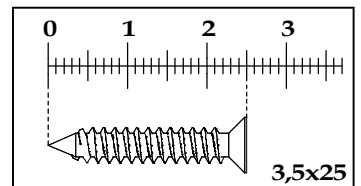
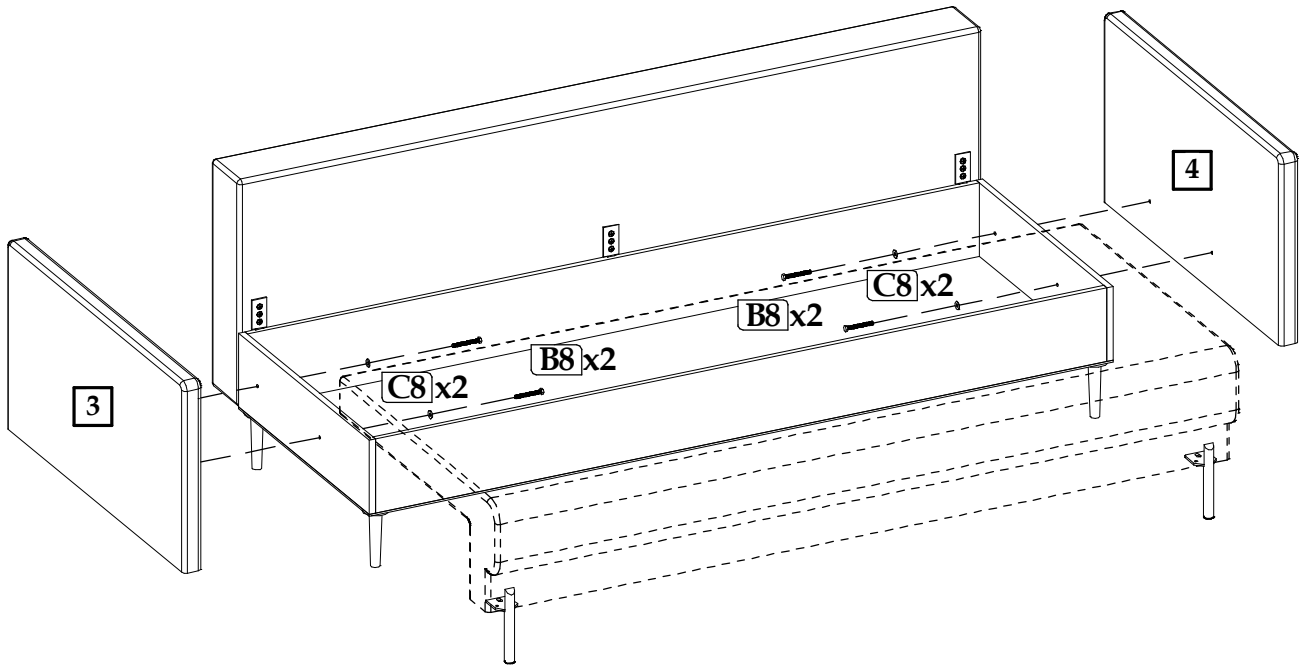
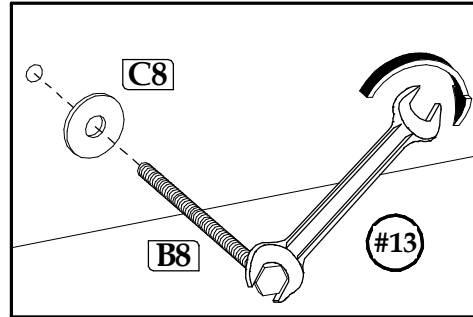
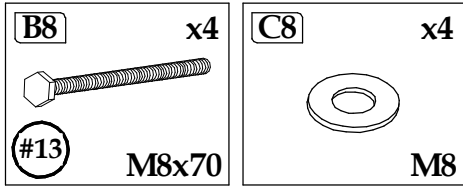
C6	x2	E5	x6
M6		5x30	
N1	x4	N2	x2



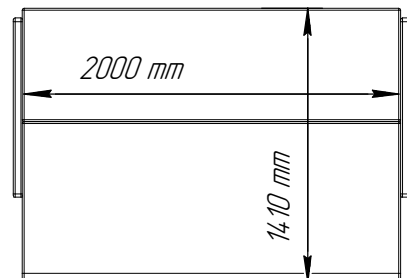
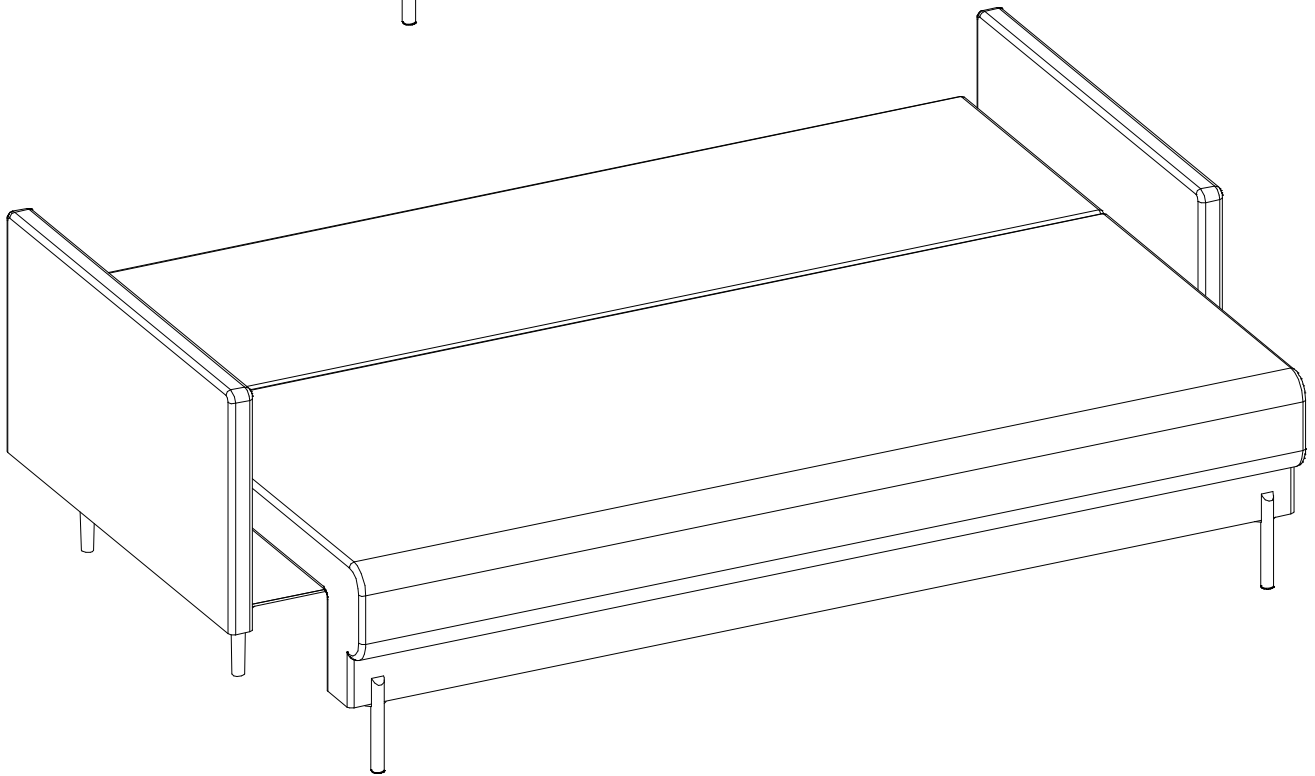
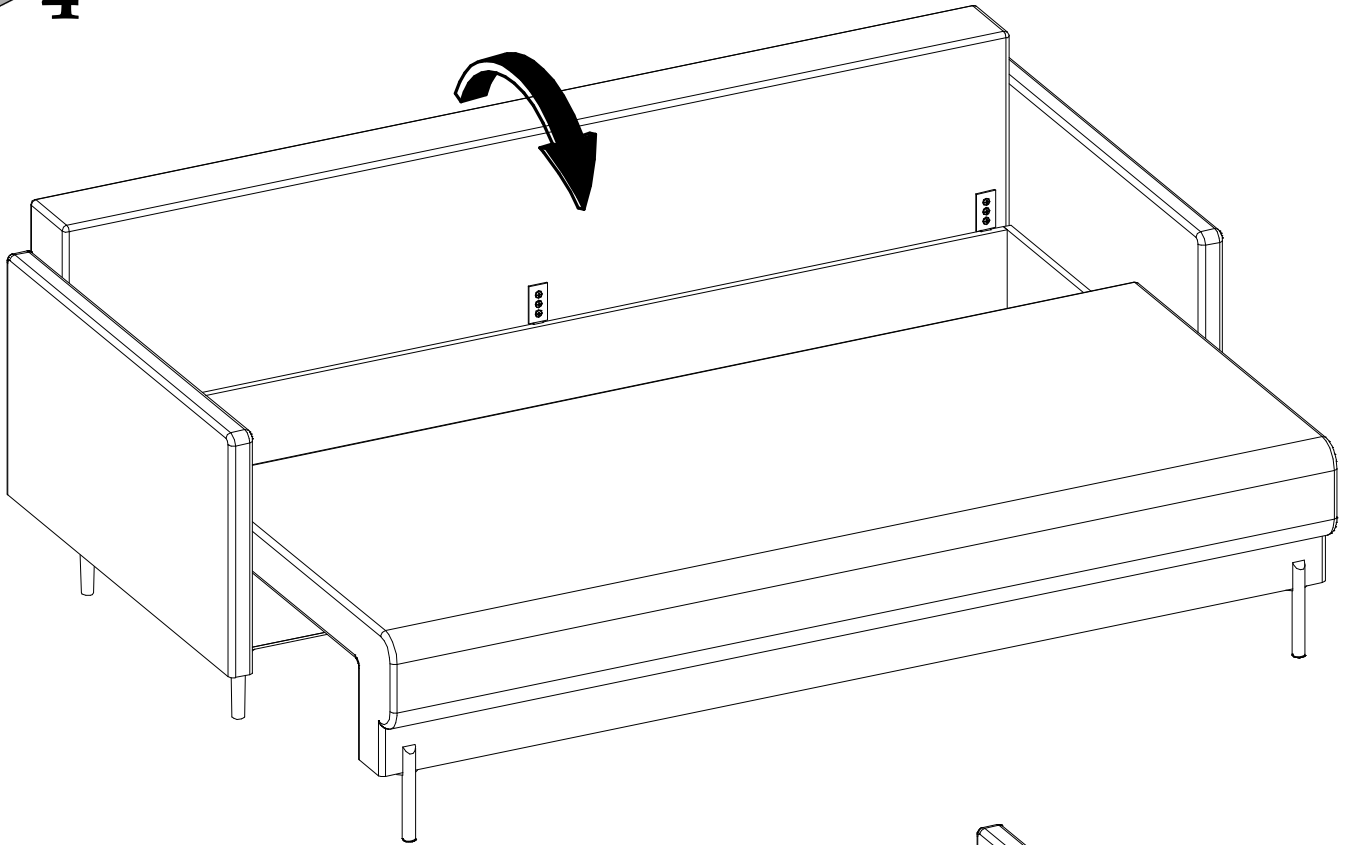
▶ 2



▶ 3



▶ 4



▶ 5

