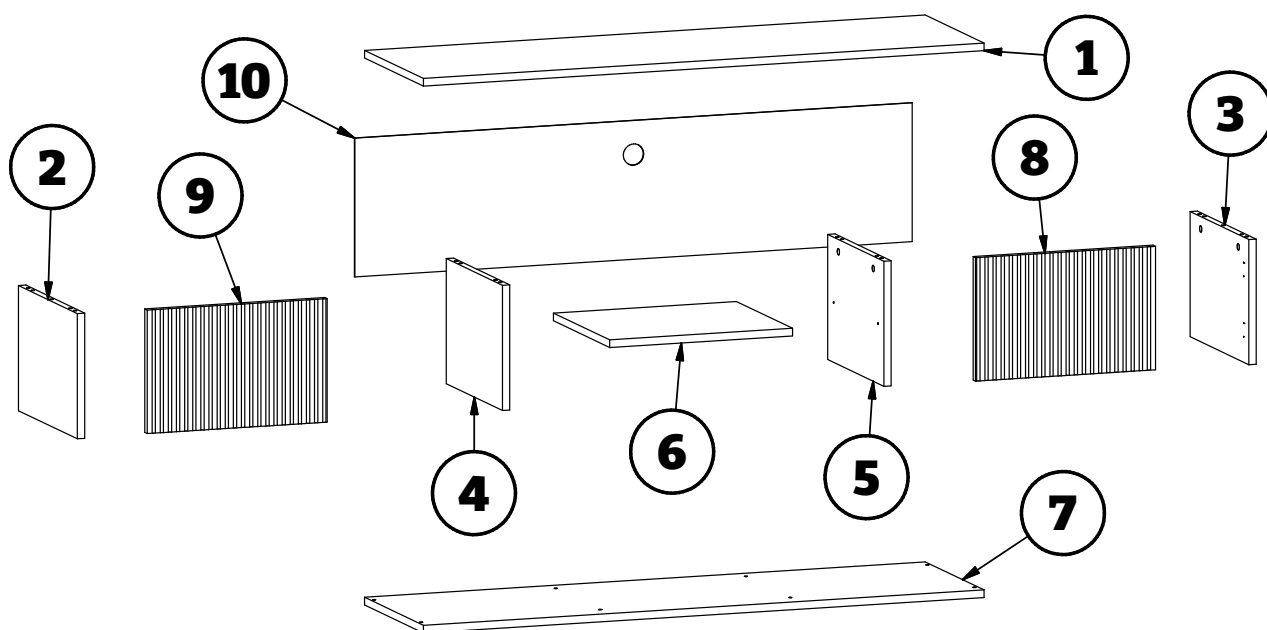
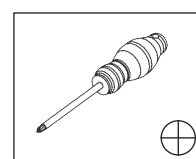
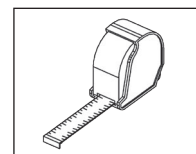
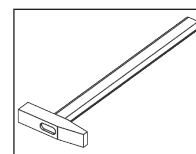
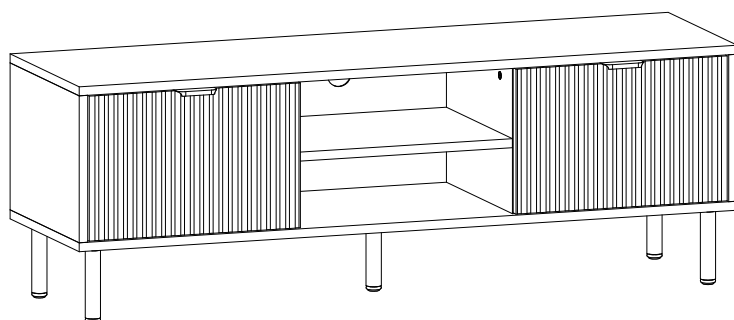


WAVE RTV 2D

(1380x480x403mm)



① **x1** 1380x400x18mm

② **x1** 398x294x18mm

③ **x1** 398x294x18mm

④ **x1** 380x294x18mm

⑤ **x1** 380x294x18mm



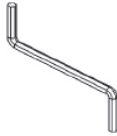
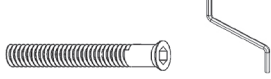
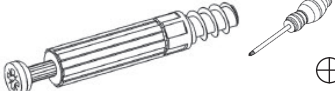
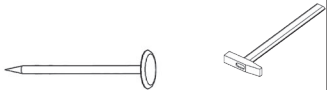
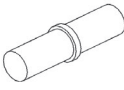

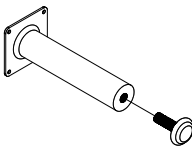
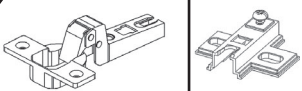


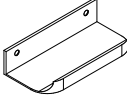

⑥ **x1** 446x375x18mm

⑦ **x1** 1378x398x18mm

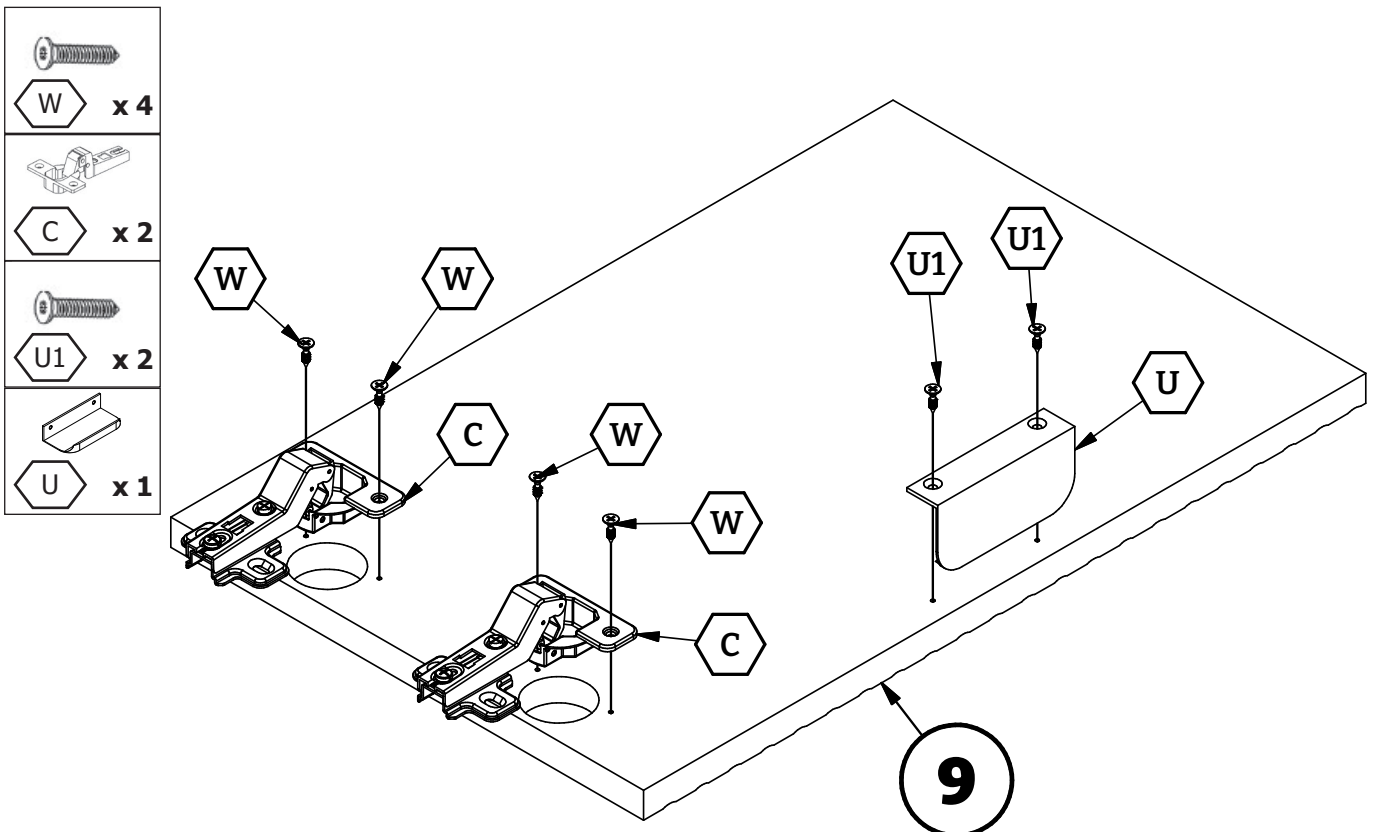
⑧ **x1** 443x289x16mm

⑨ **x1** 443x289x16mm

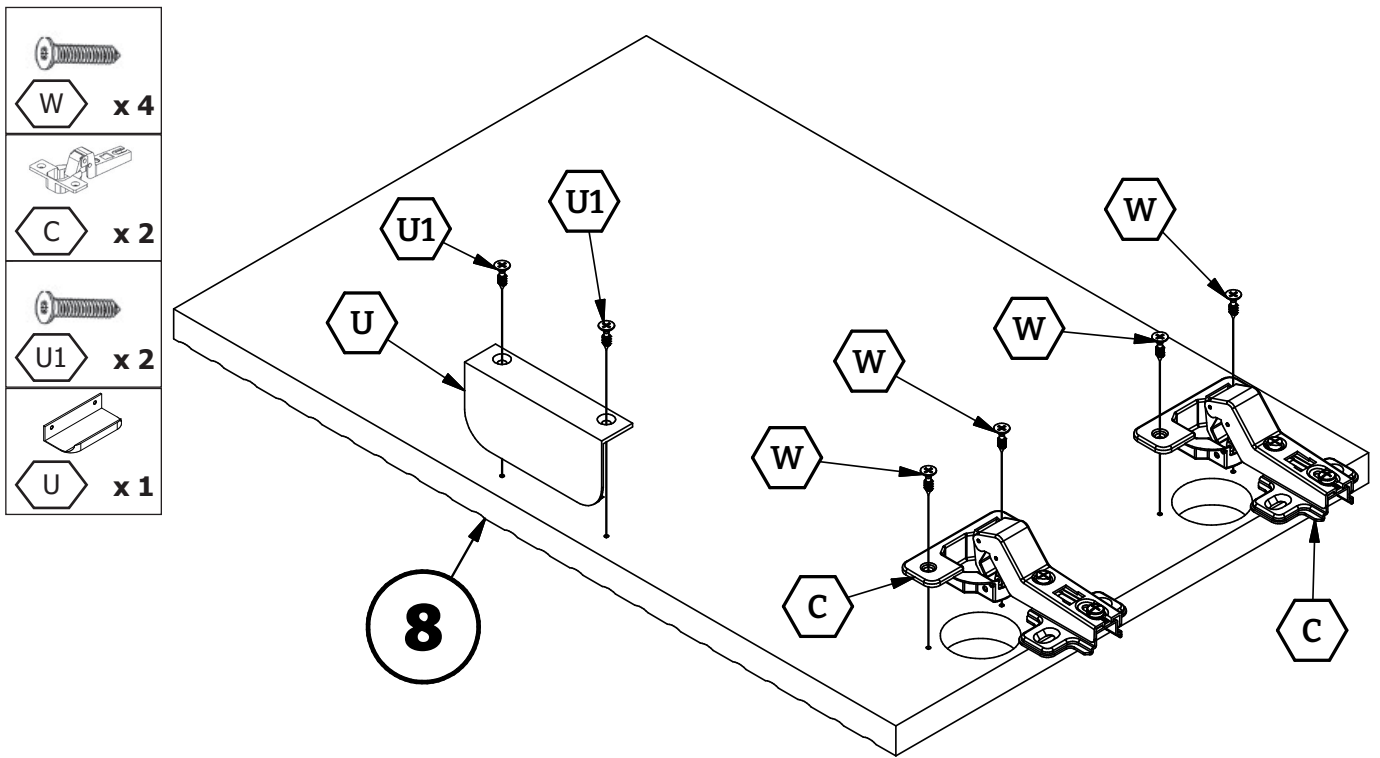
⑩ **x1** 1372x326x3mm

<p>K</p>  <p>x 10 $\Phi 8 \times 35 \text{mm}$</p>	<p>W1</p>  <p>x 28 $\Phi 4 \times 16 \text{mm}$</p>	<p>I</p>  <p>x 1</p>
<p>A</p>  <p>x 8 7×50</p>	<p>T</p>  <p>x 8</p>	<p>G</p>  <p>x 50</p>
<p>B</p>  <p>x 4</p>	<p>M</p>  <p>x 8</p>	<p>N</p>  <p>x 5</p>
<p>C</p>  <p>x 4</p>	<p>W</p>  <p>x 8 $\Phi 3,5 \times 16 \text{mm}$</p>	<p>M2</p>  <p>x 8</p>
<p>U</p>  <p>x 2</p>	<p>U1</p>  <p>x 4 $\Phi 3 \times 12 \text{mm}$</p>	

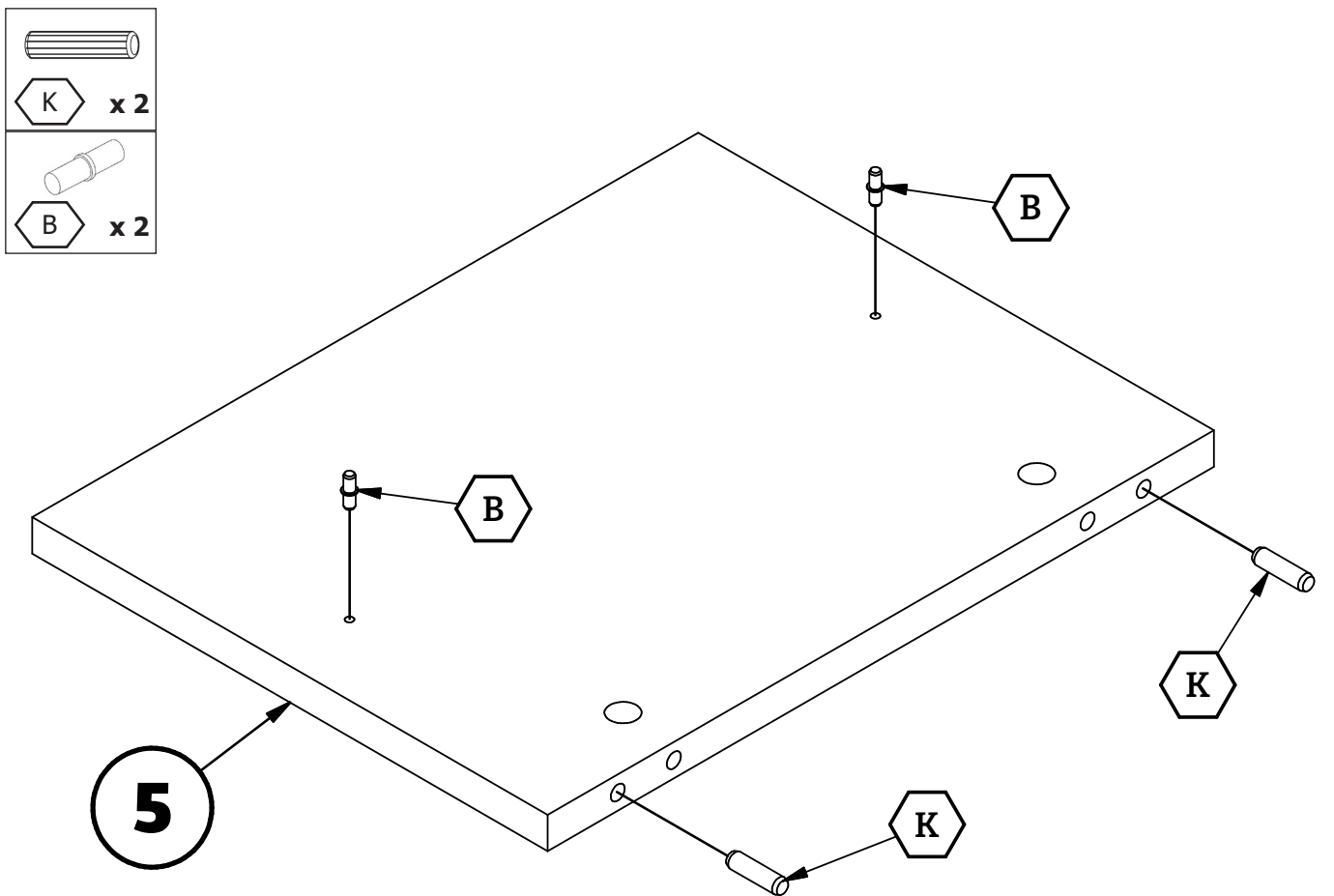
1



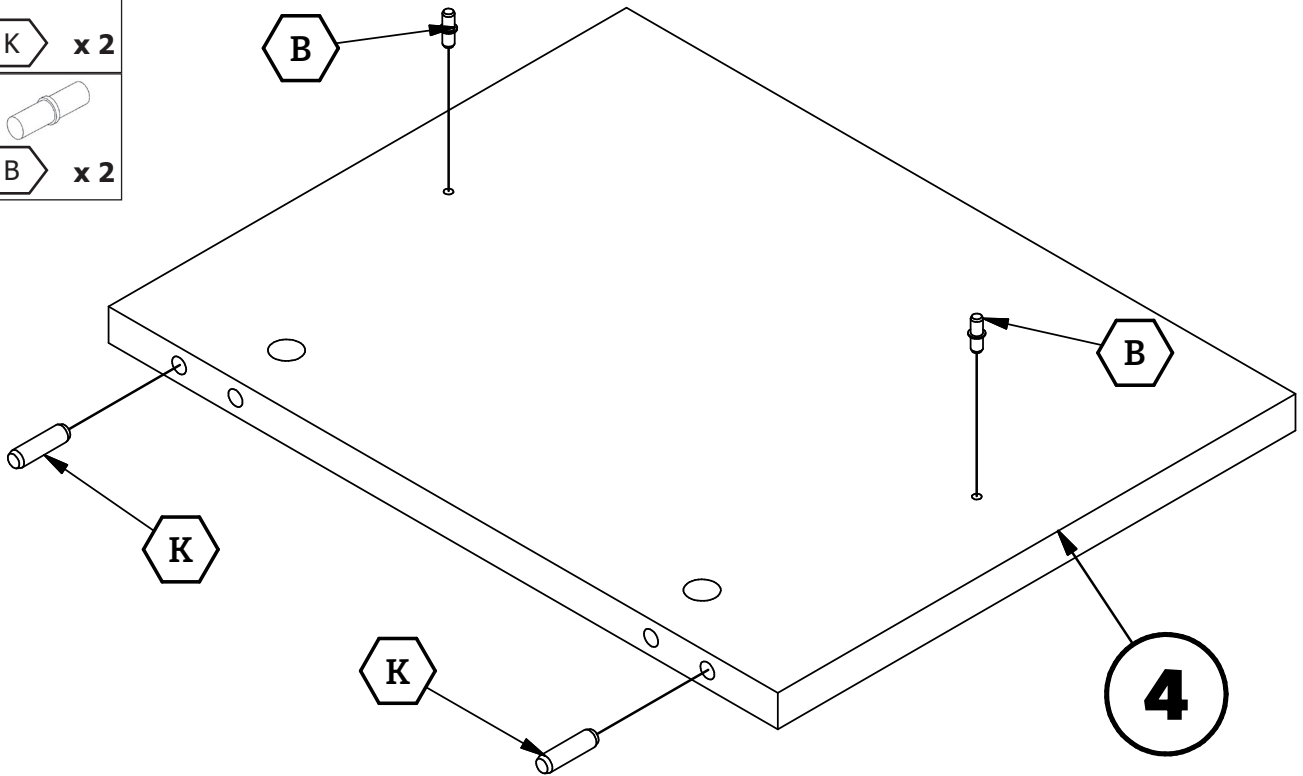
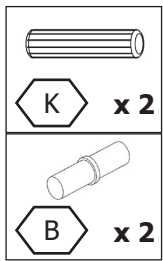
2



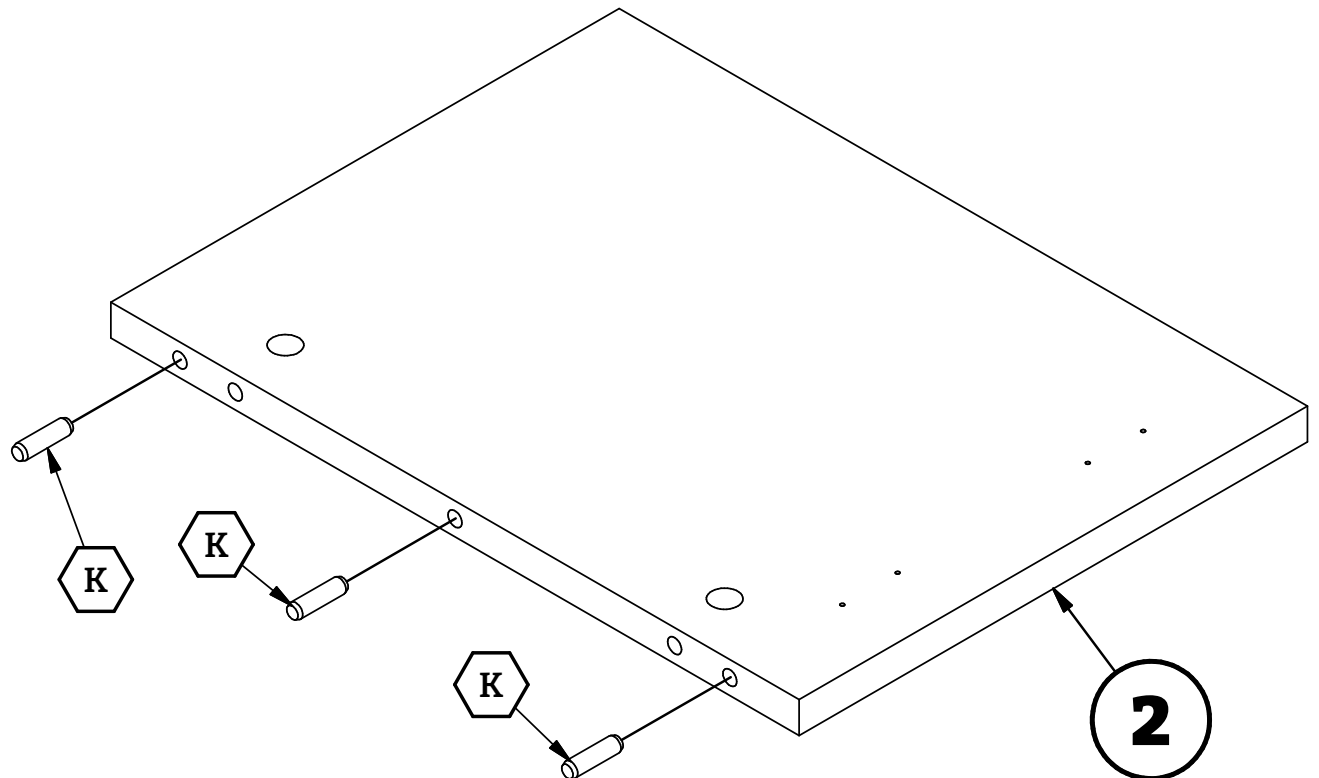
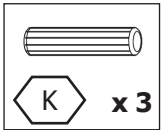
3



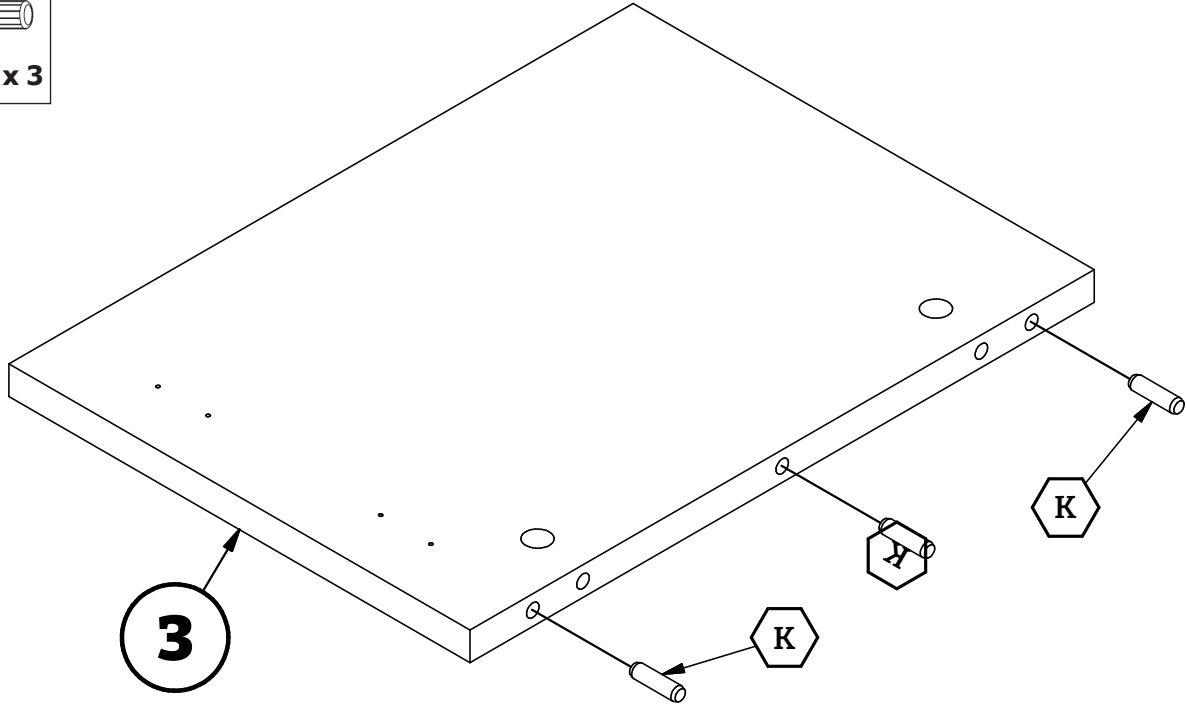
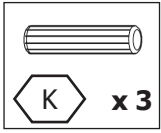
4



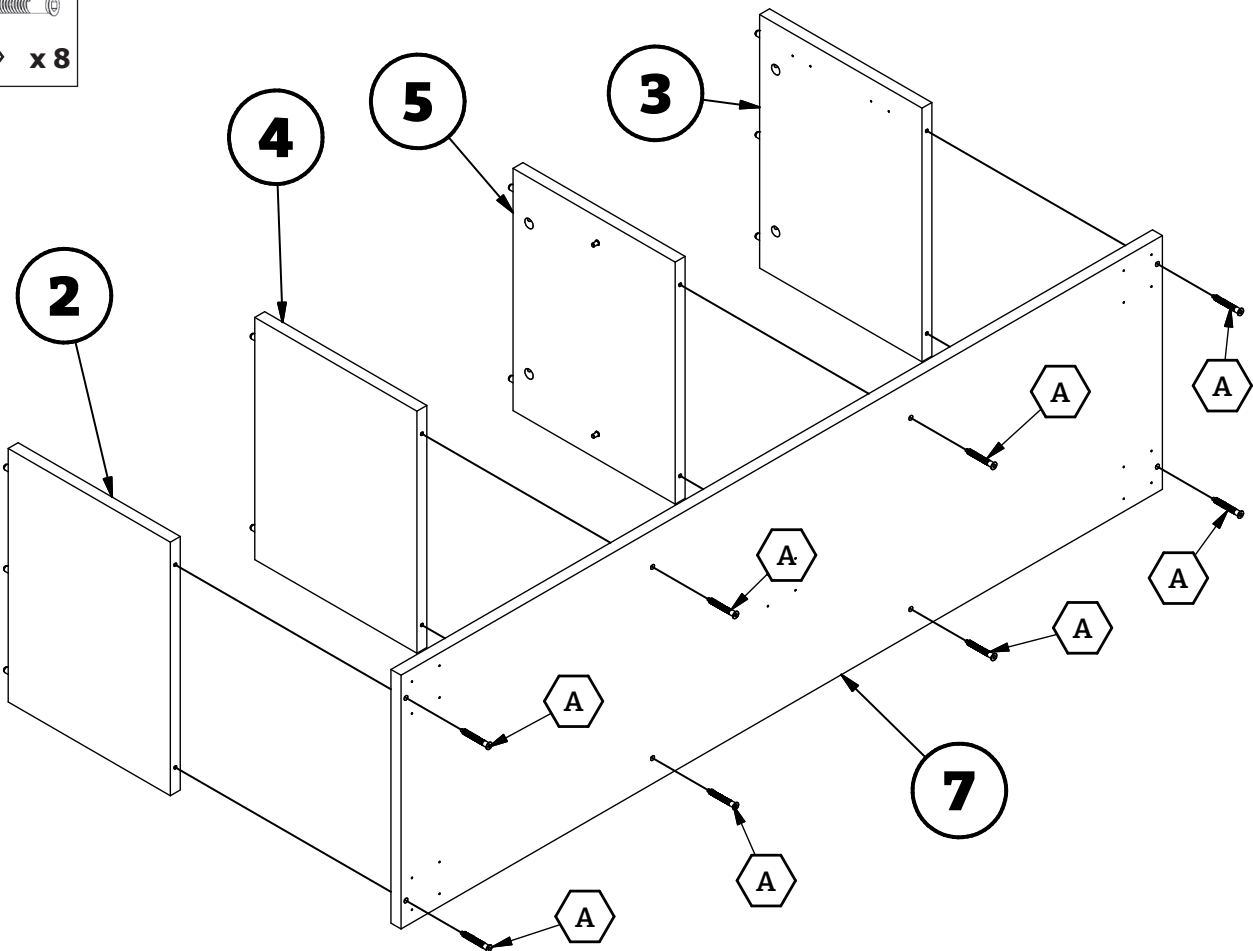
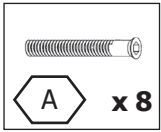
5



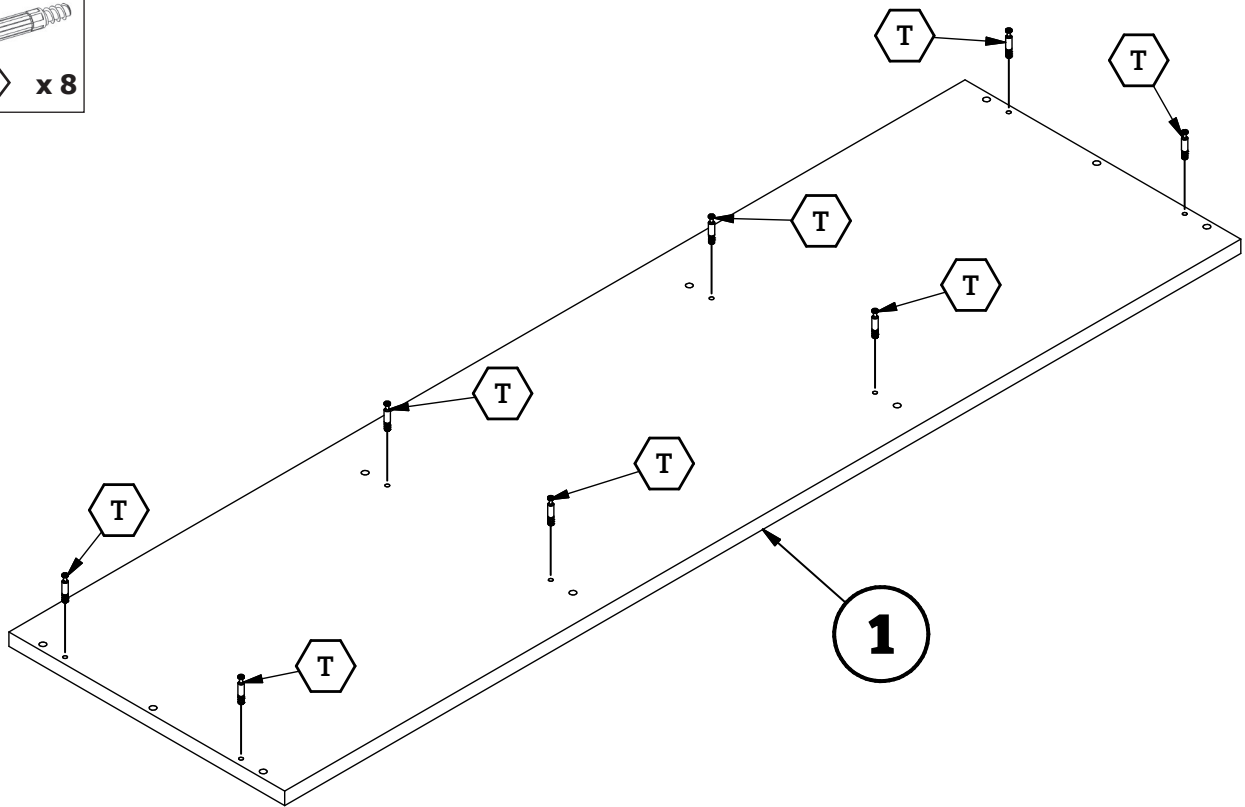
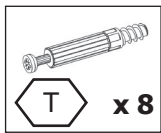
6



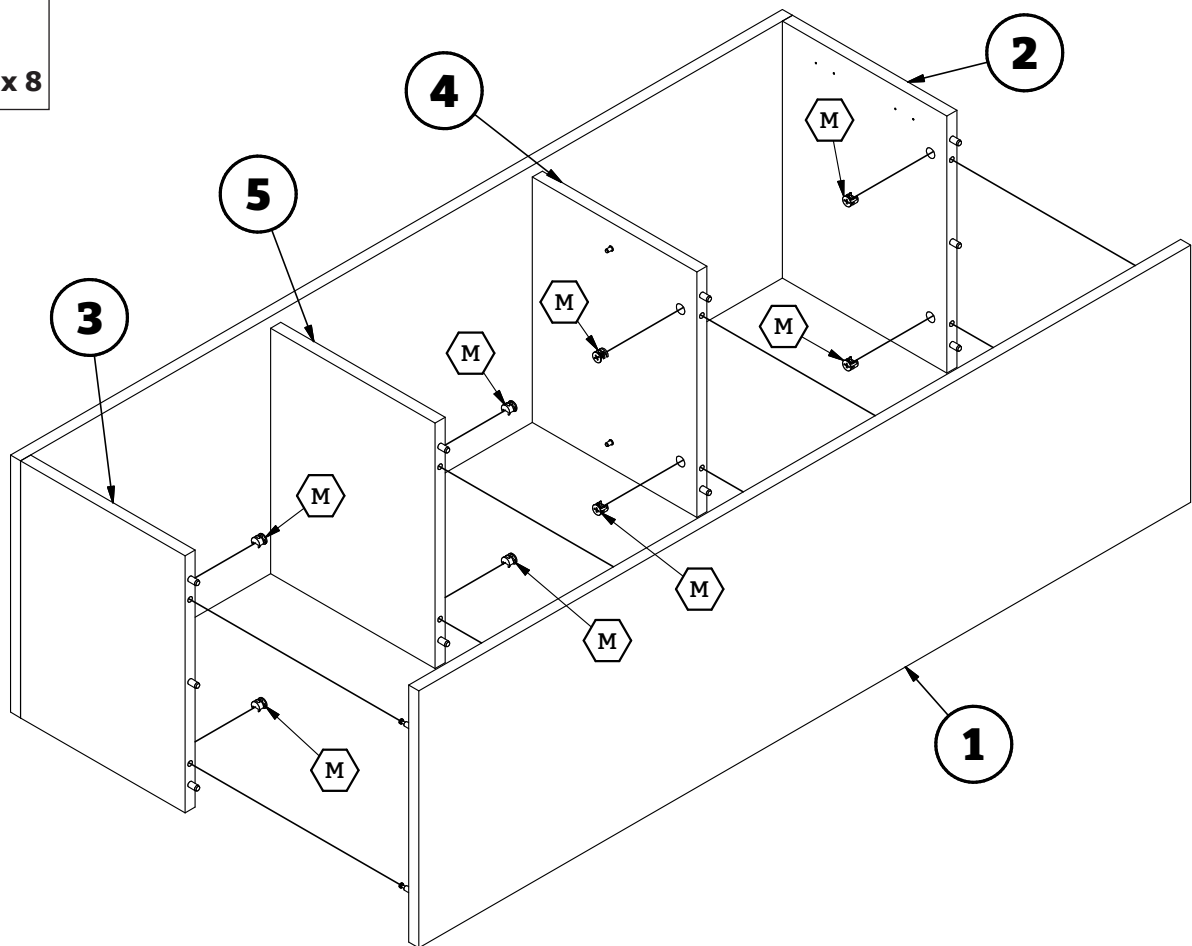
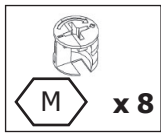
7



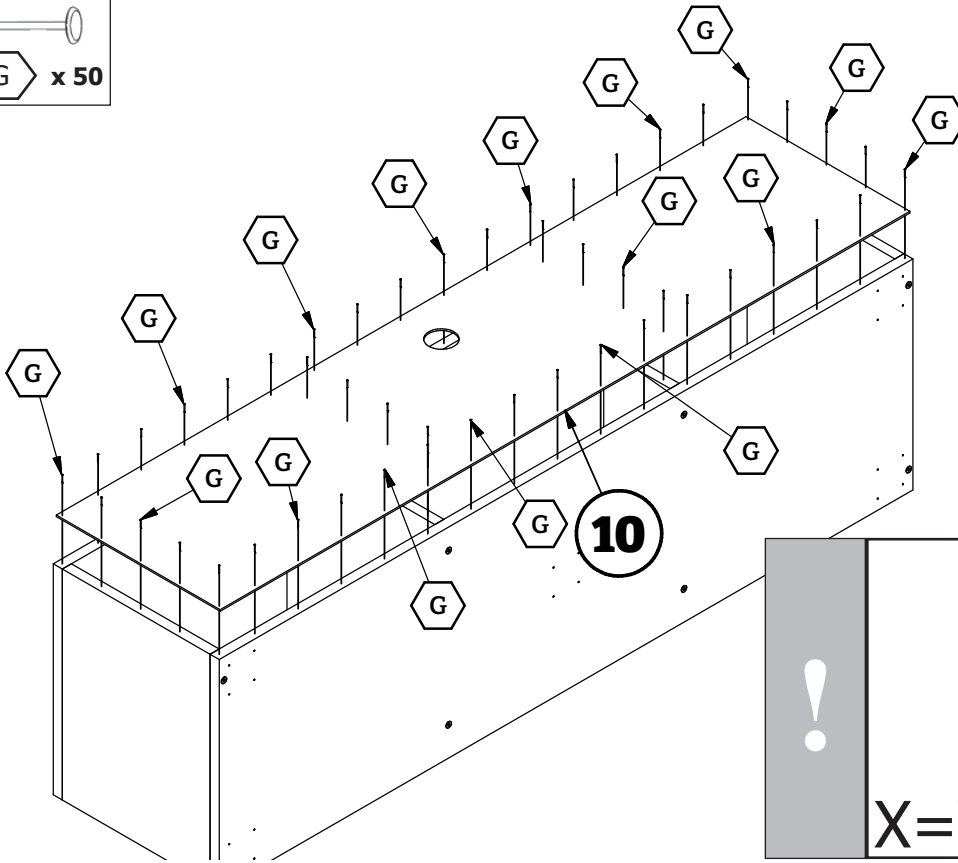
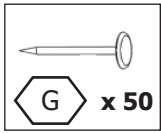
8



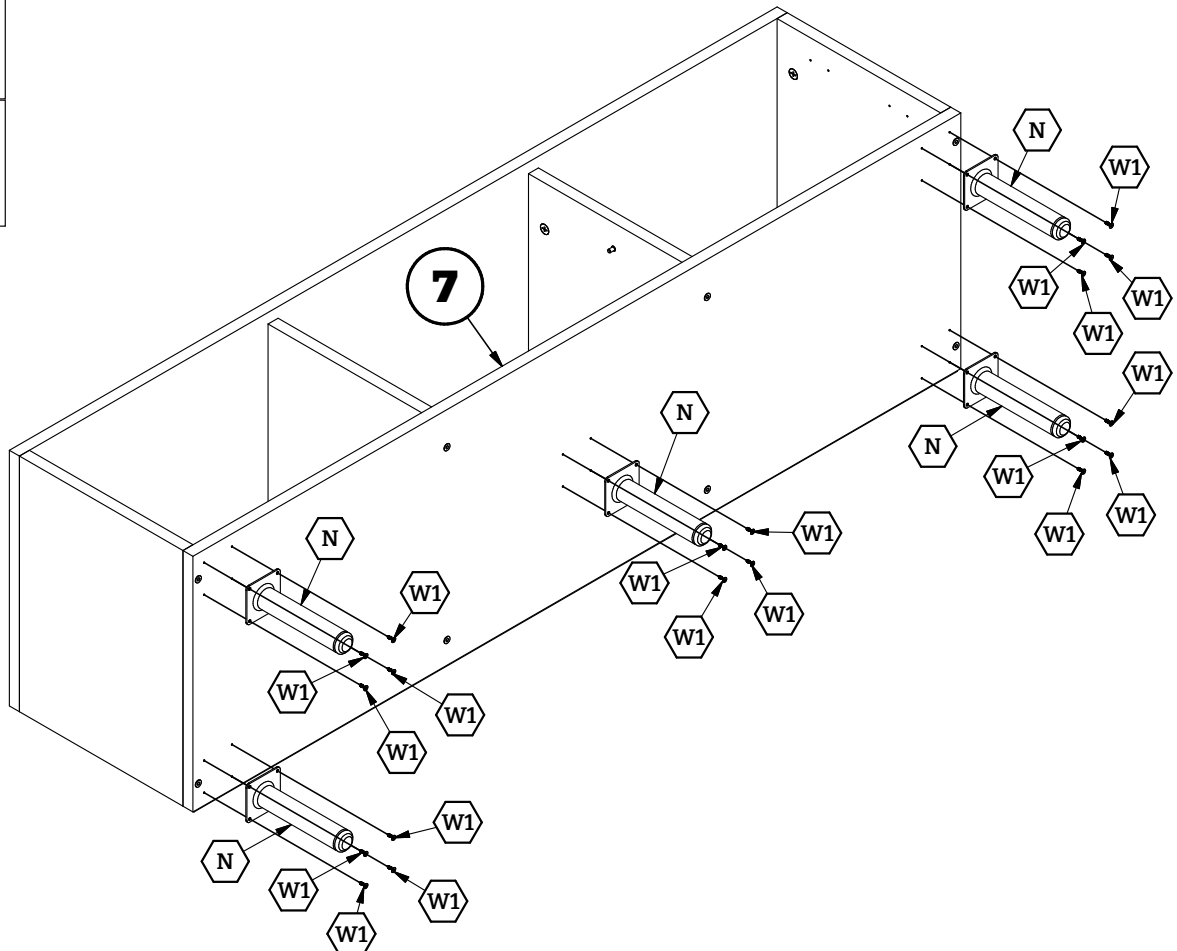
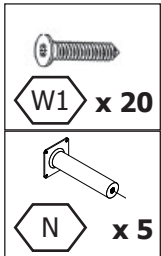
9



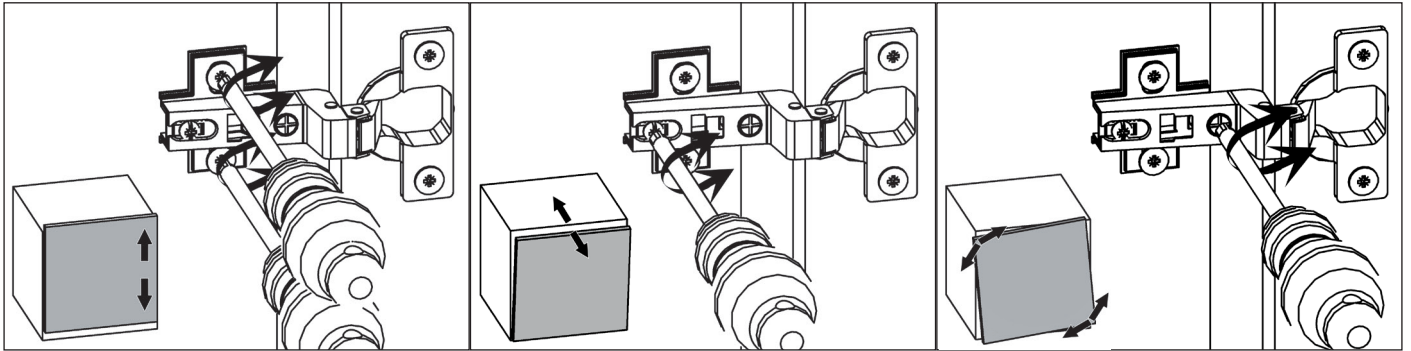
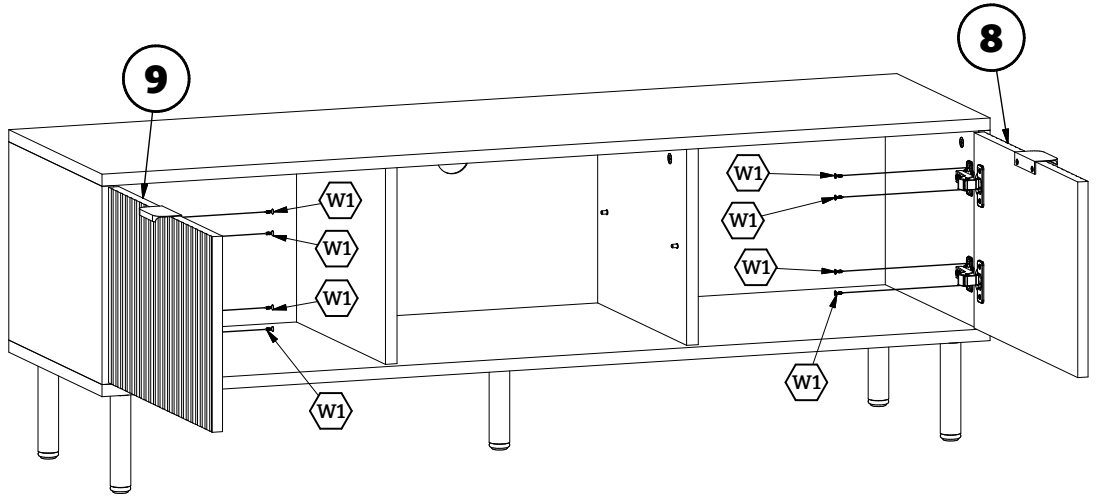
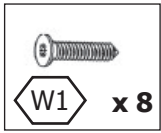
10



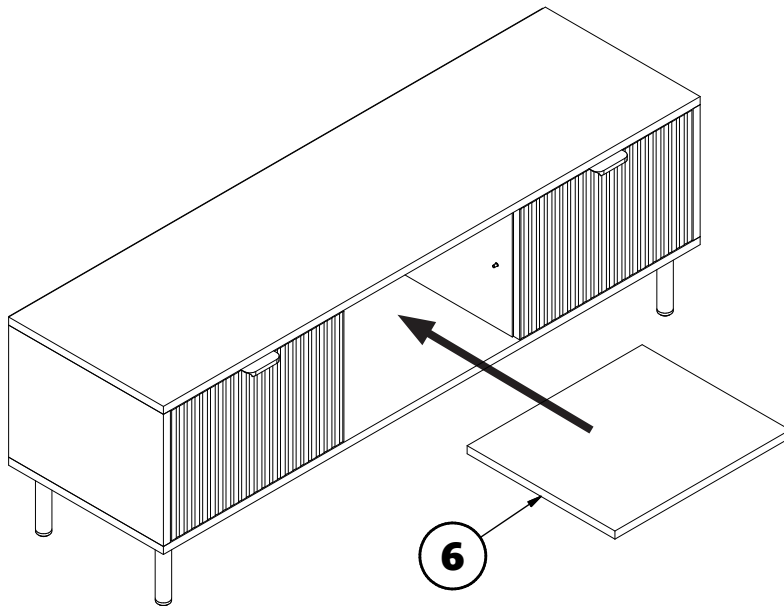
11



12



13



14

