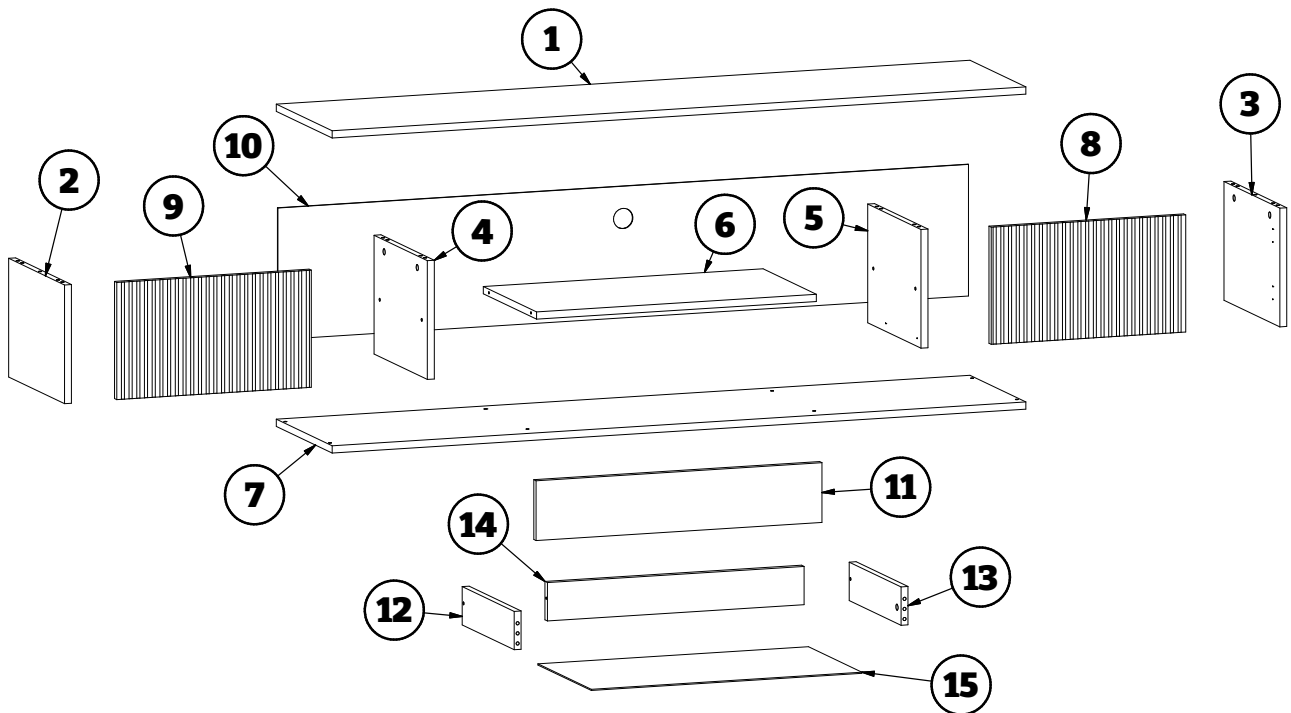
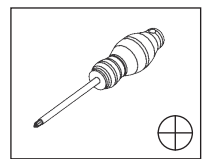
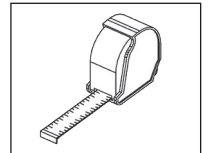
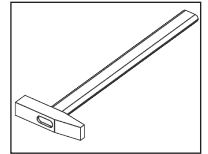
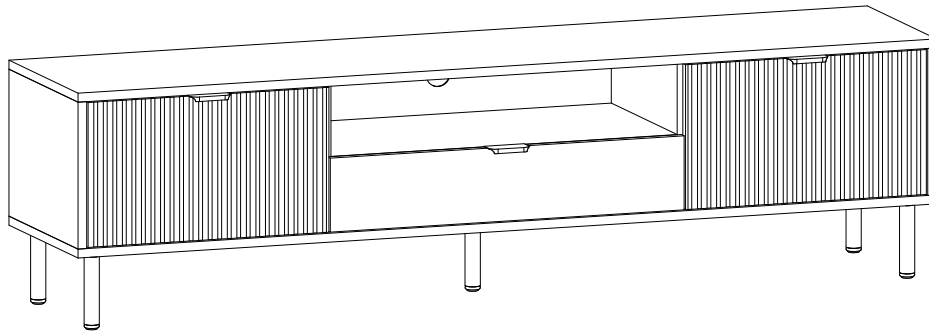


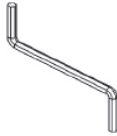

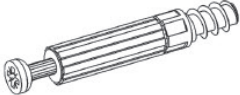

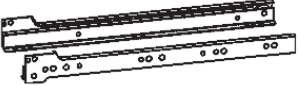

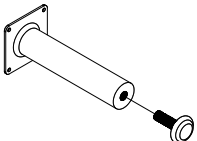
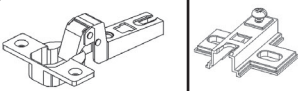


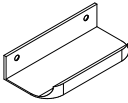




WAVE RTV 2D1S

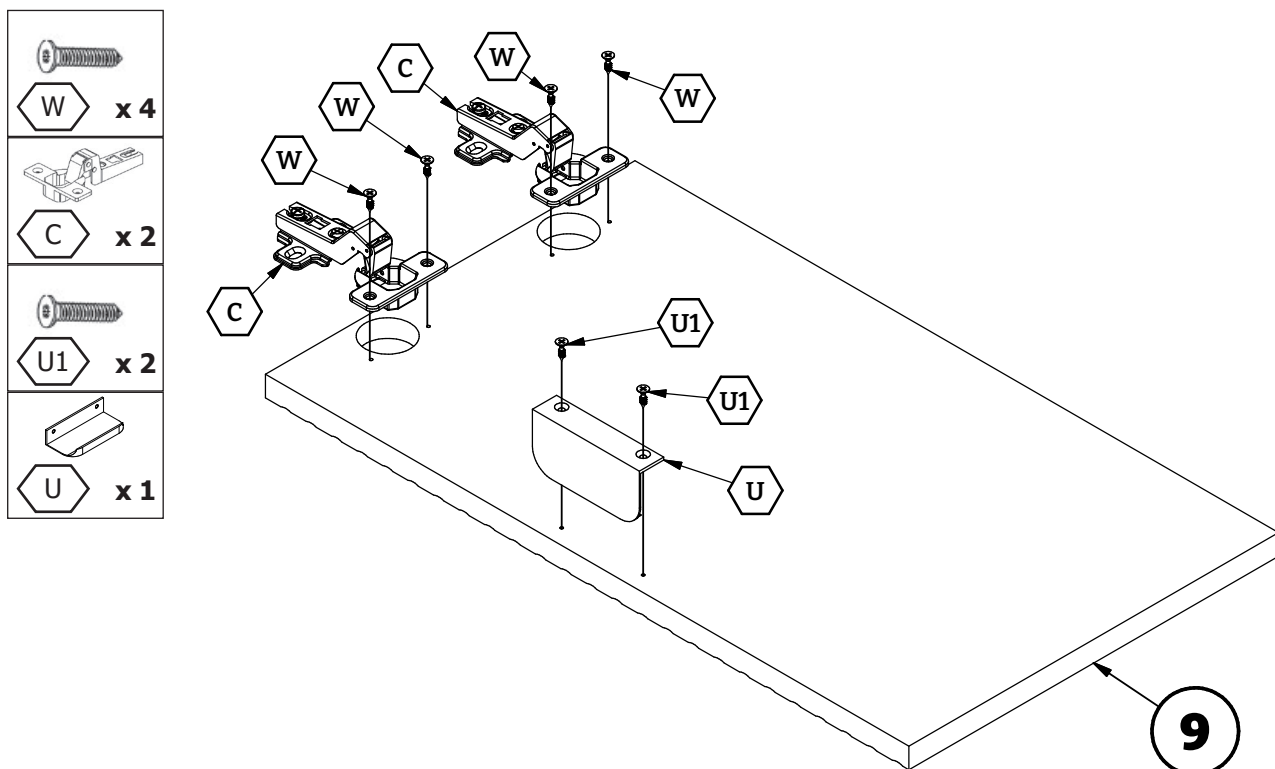
(1800x480x403mm)



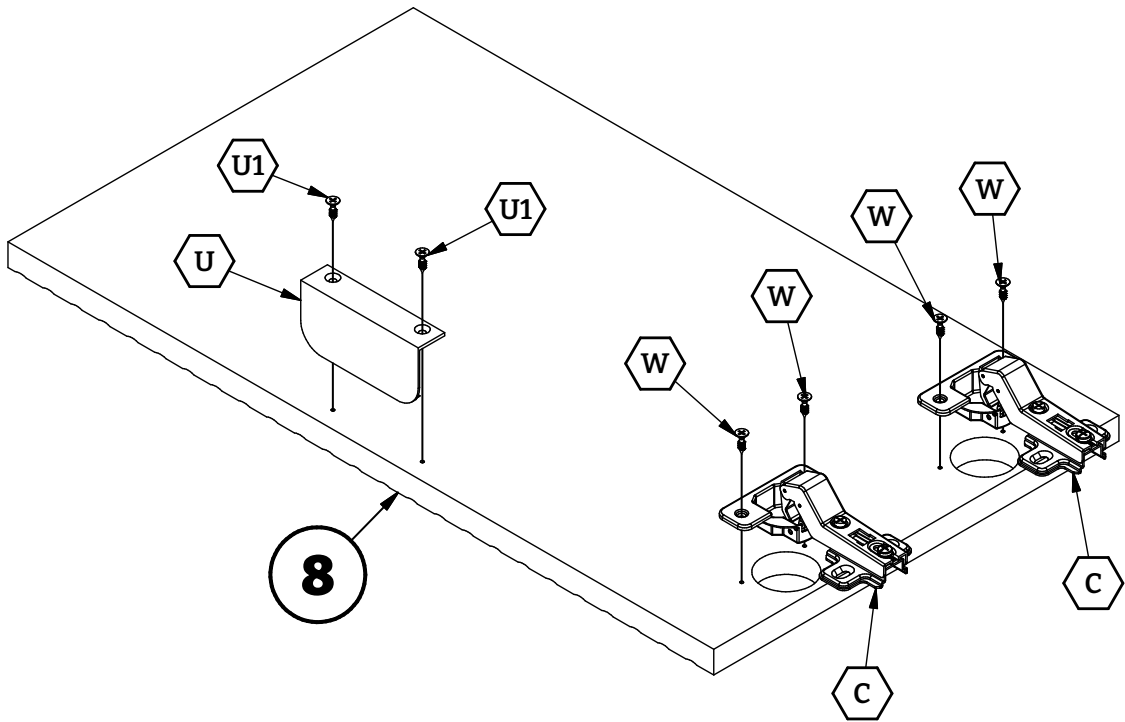
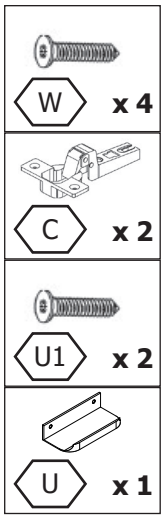
- | | | |
|---------------------------|--------------------------|--------------------------|
| ① x1 1800x400x18mm | ② x1 398x294x18mm | ③ x1 398x294x18mm |
| ④ x1 380x294x18mm | ⑤ x1 380x294x18mm | ⑥ x1 726x379x18mm |
| ⑦ x1 1798x398x18mm | ⑧ x1 505x289x16mm | ⑨ x1 505x289x16mm |
| ⑩ x1 1792x326x3mm | ⑪ x1 742x148x16mm | ⑫ x1 370x95x18mm |
| ⑬ x1 370x95x18mm | ⑭ x1 666x95x18mm | ⑮ x1 698x376x3mm |

<p>K</p>  <p>x 14 $\Phi 8 \times 35 \text{mm}$</p>	<p>W1</p>  <p>x 28 $\Phi 4 \times 16 \text{mm}$</p>	<p>I</p>  <p>x 1</p>
<p>A</p>  <p>x 14 7×50</p>	<p>T</p>  <p>x 10</p>	<p>G</p>  <p>x 70</p>
<p>P</p>  <p>x 1</p>	<p>M</p>  <p>x 10</p>	<p>N</p>  <p>x 5</p>
<p>C</p>  <p>x 4</p>	<p>W</p>  <p>x 16 $\Phi 3,5 \times 16 \text{mm}$</p>	<p>M2</p>  <p>x 10</p>
<p>U</p>  <p>x 3</p>	<p>U1</p>  <p>x 6 $\Phi 3 \times 12 \text{mm}$</p>	<p>A2</p>  <p>x 4</p>

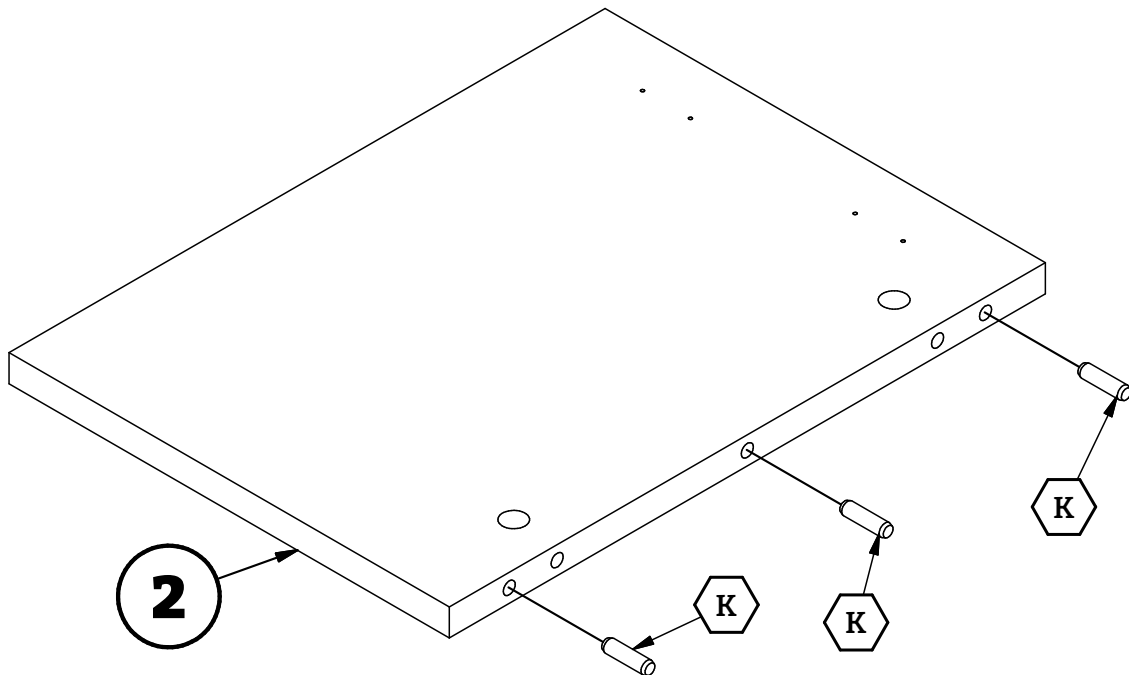
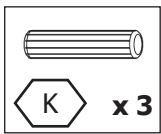
1



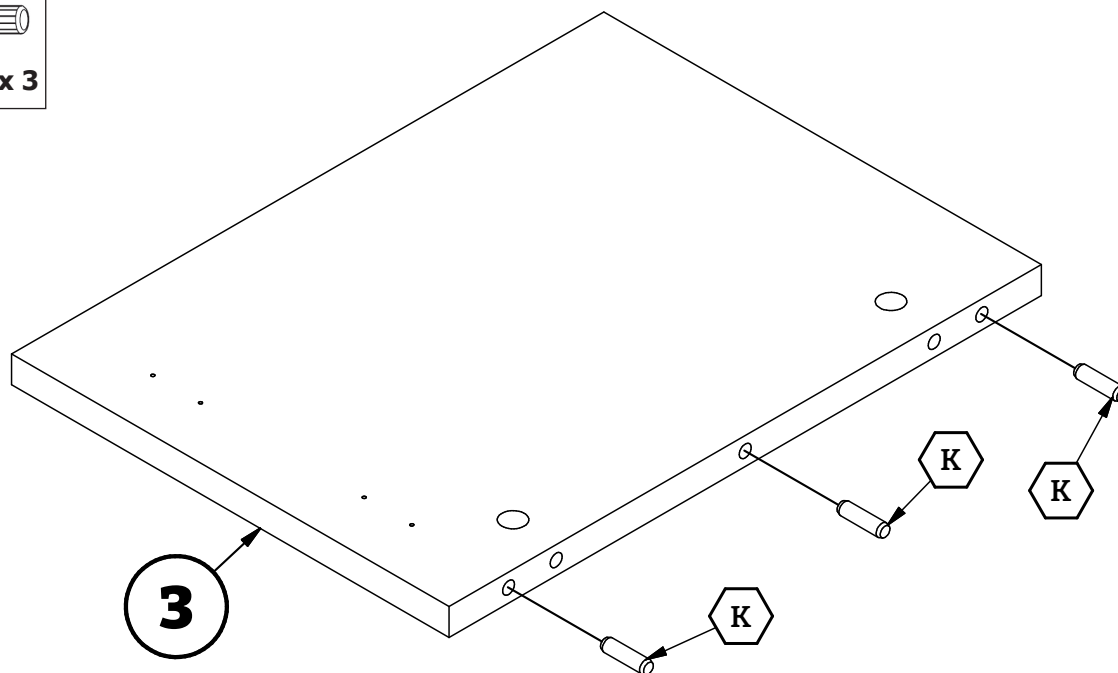
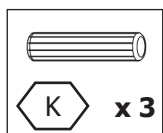
2



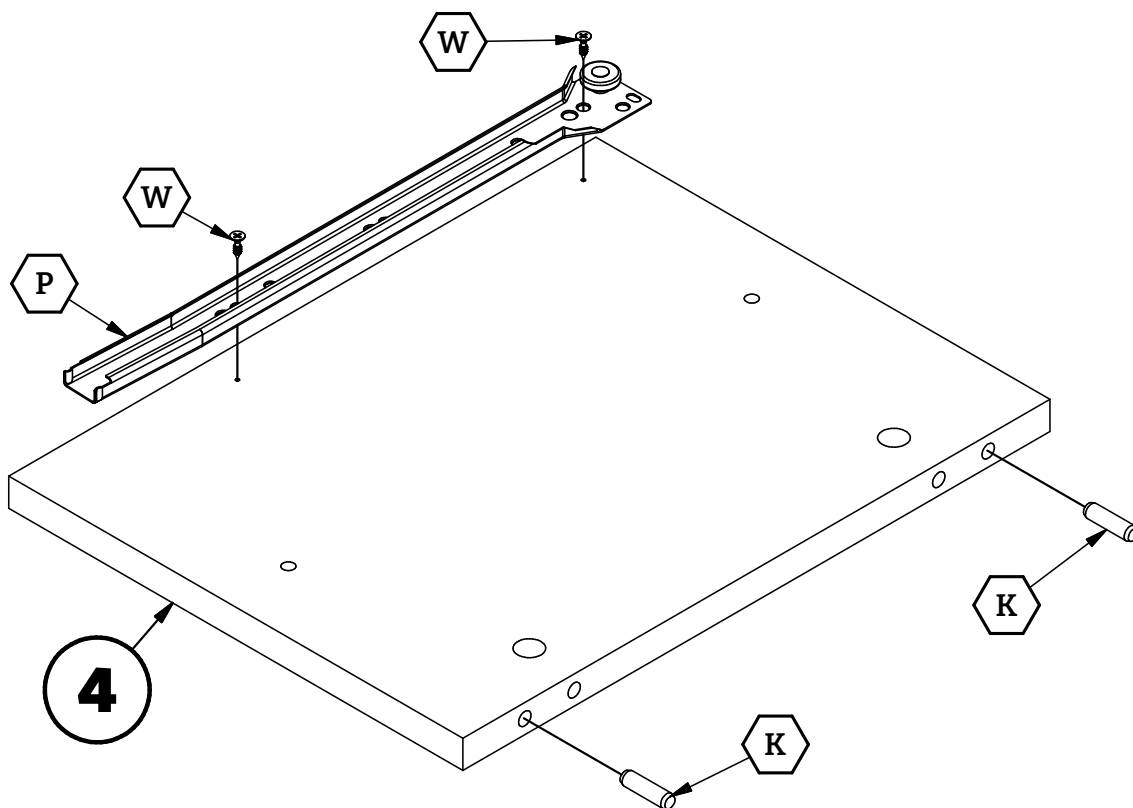
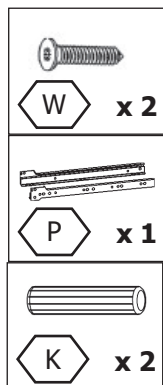
3



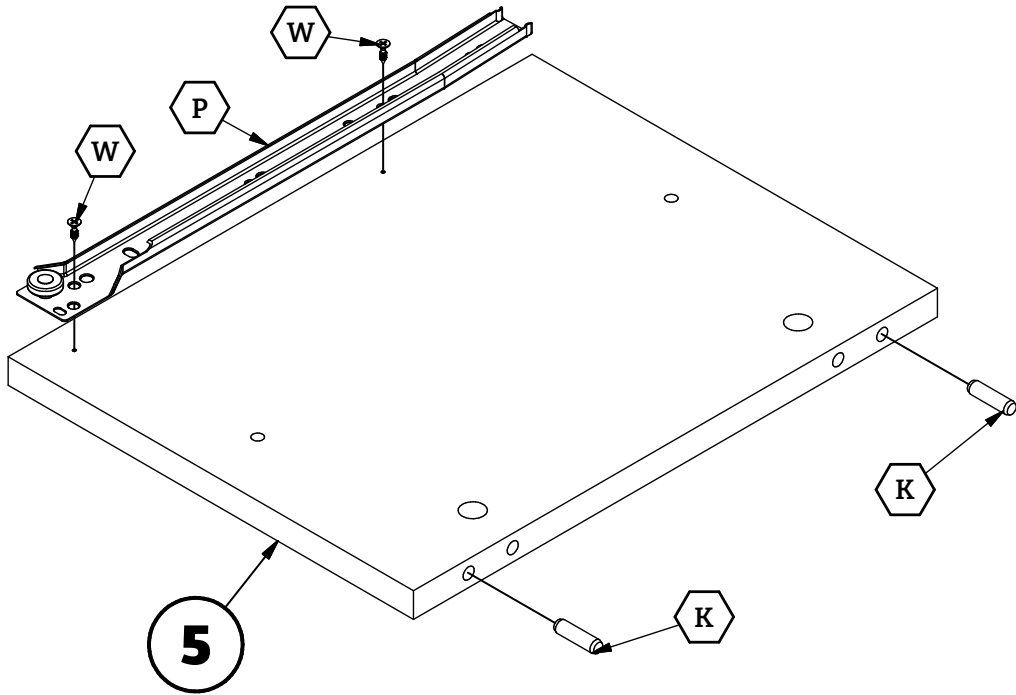
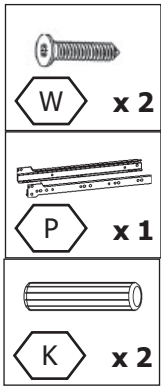
4



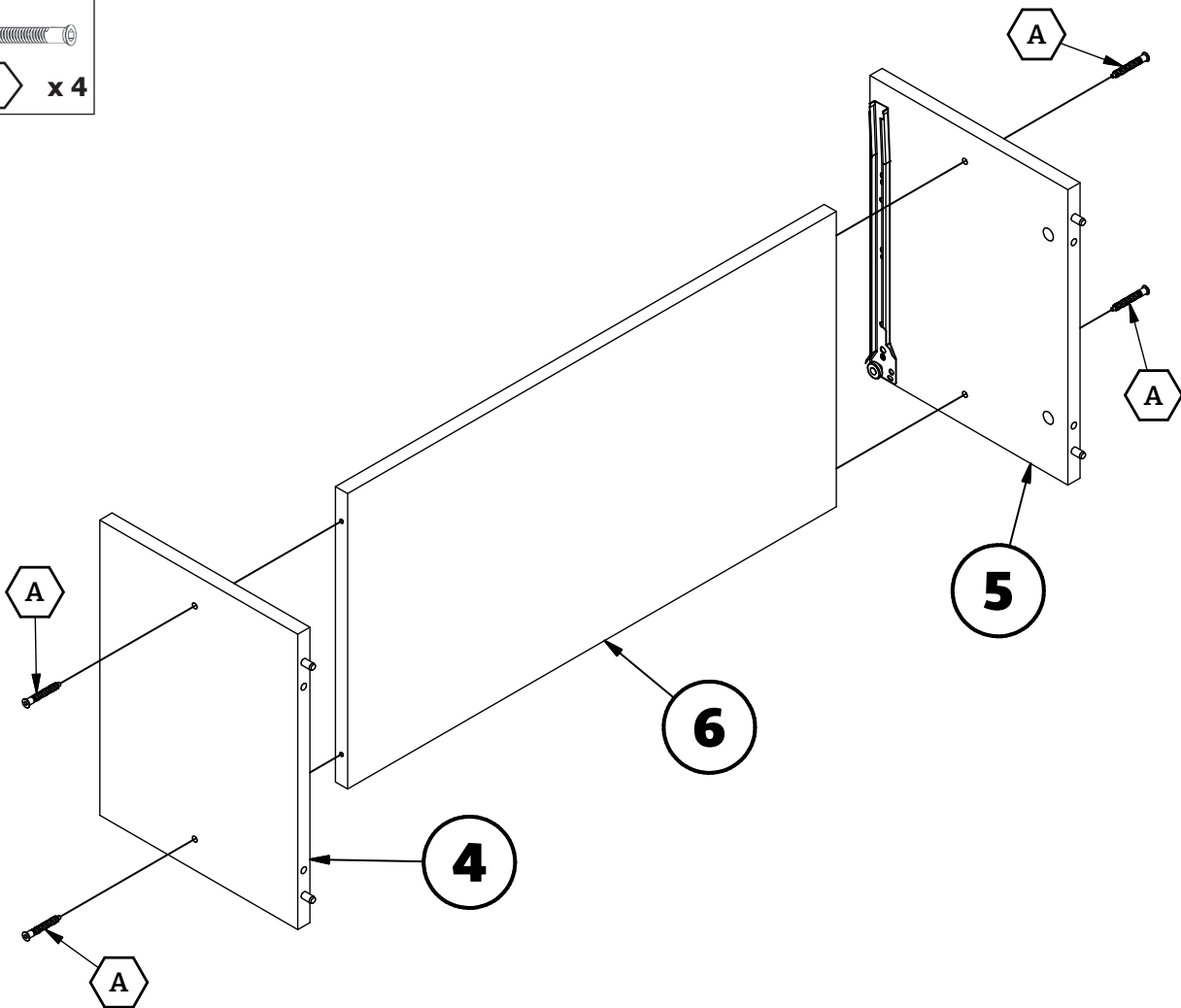
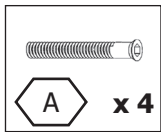
5



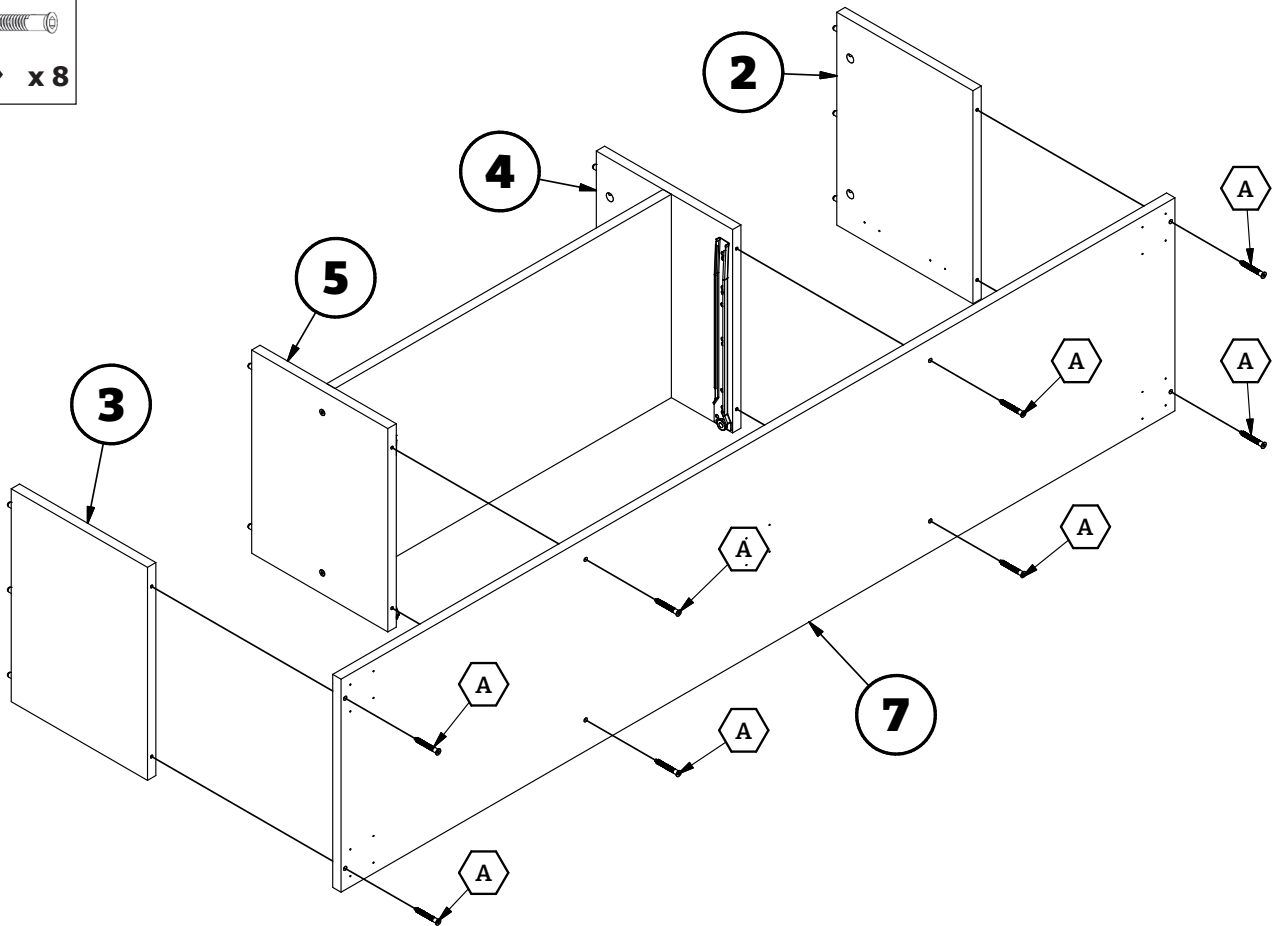
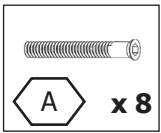
6



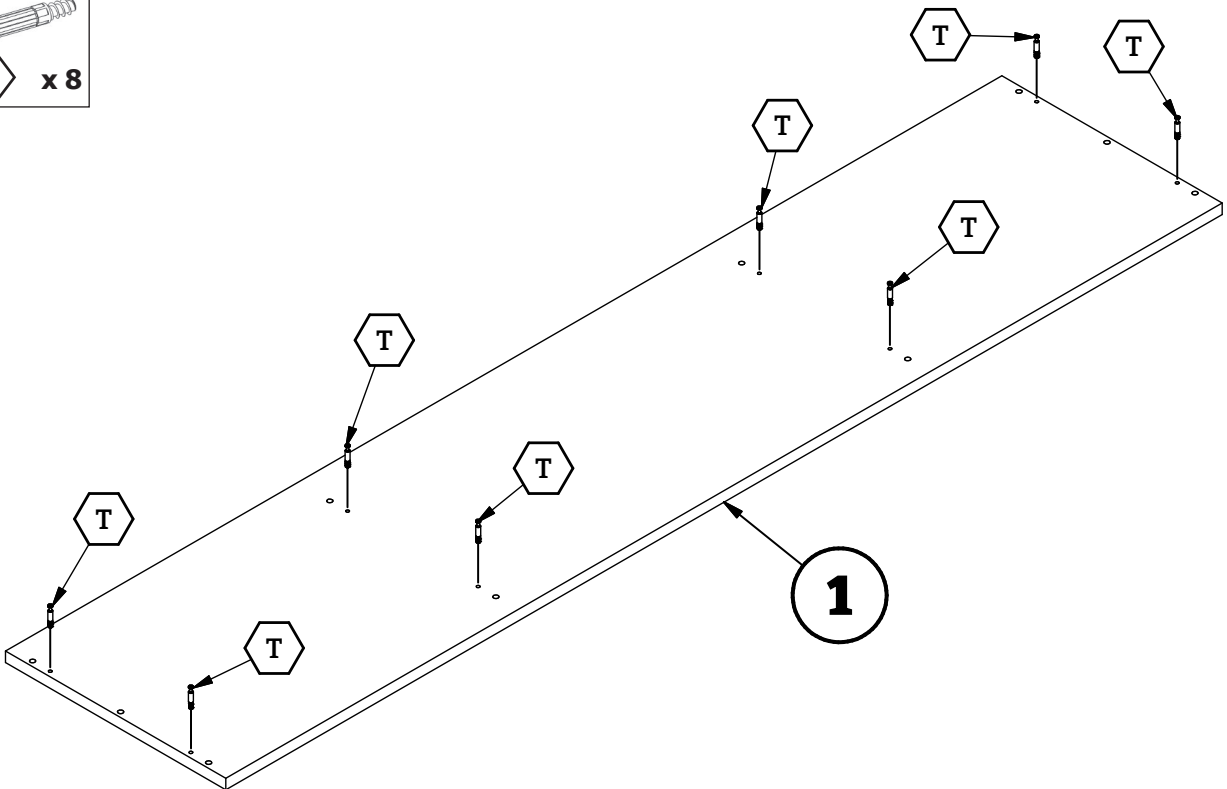
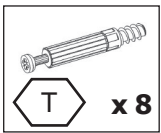
7



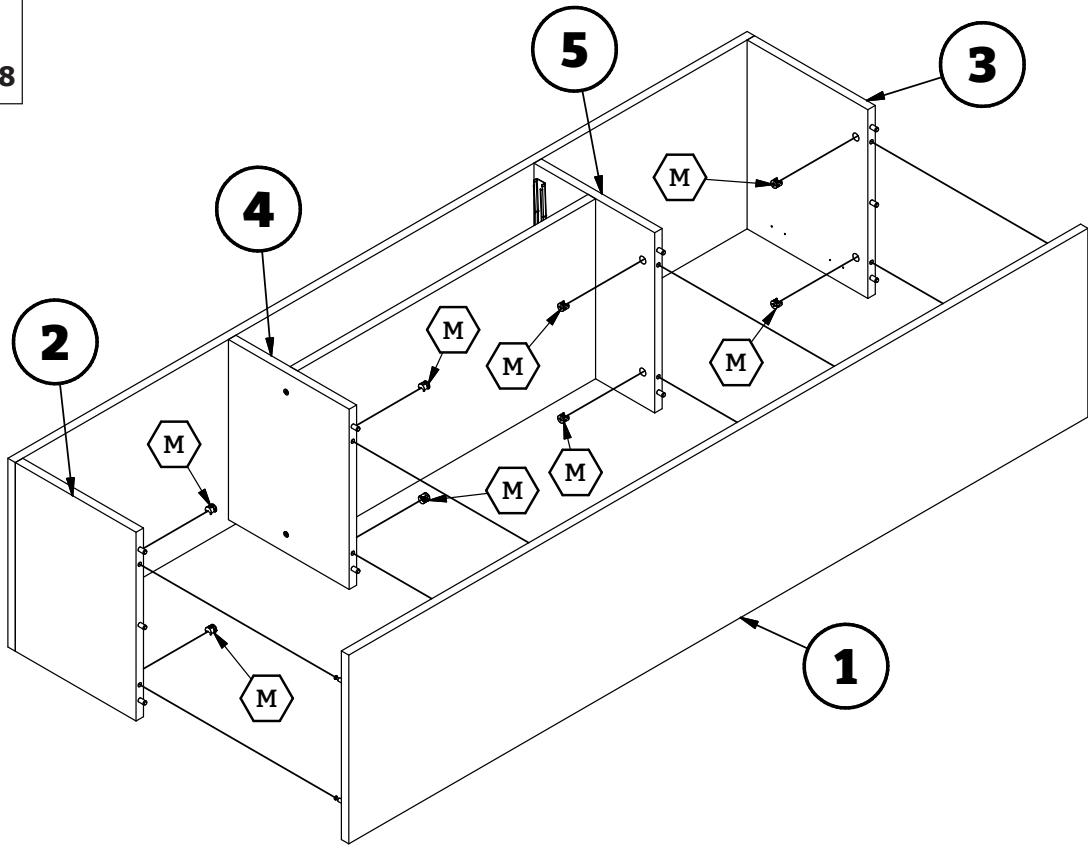
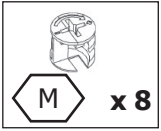
8



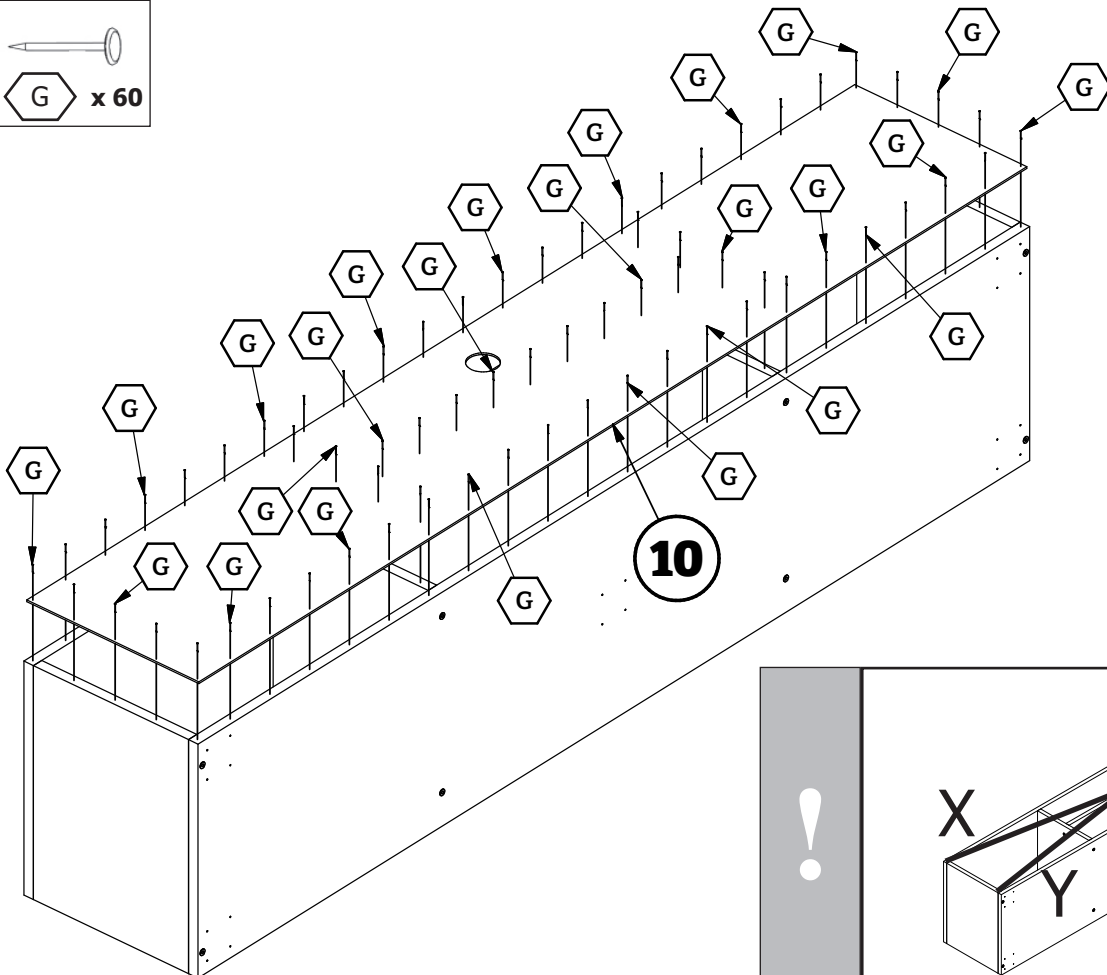
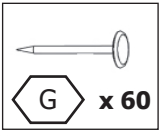
9



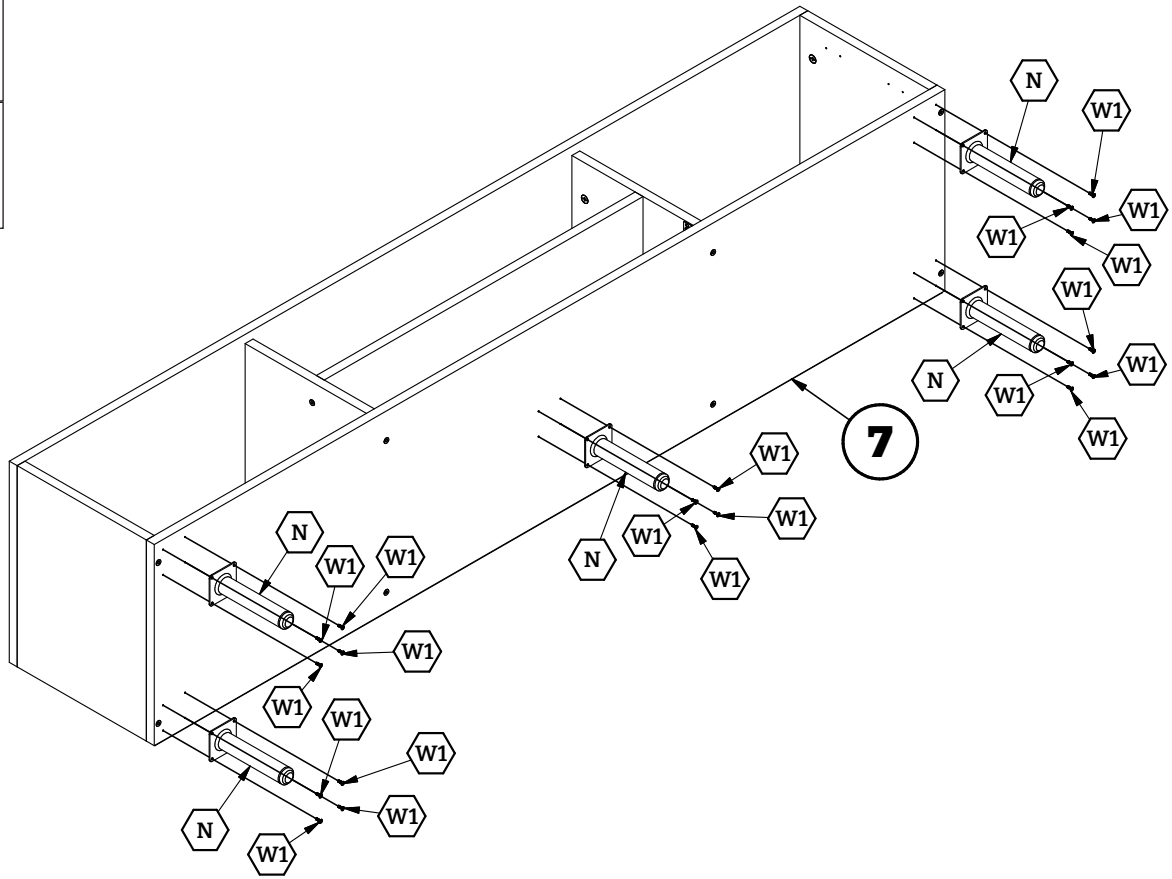
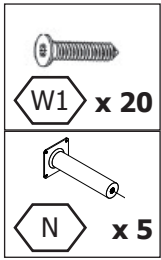
10



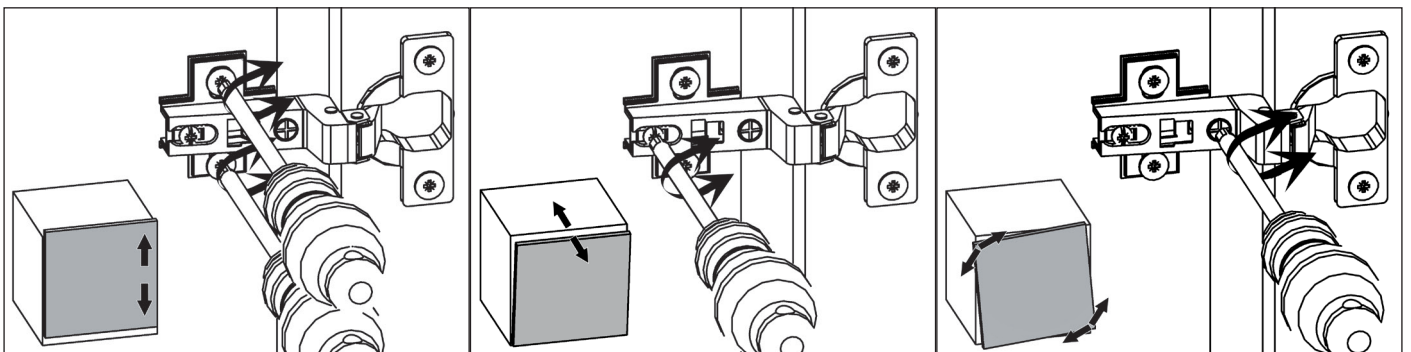
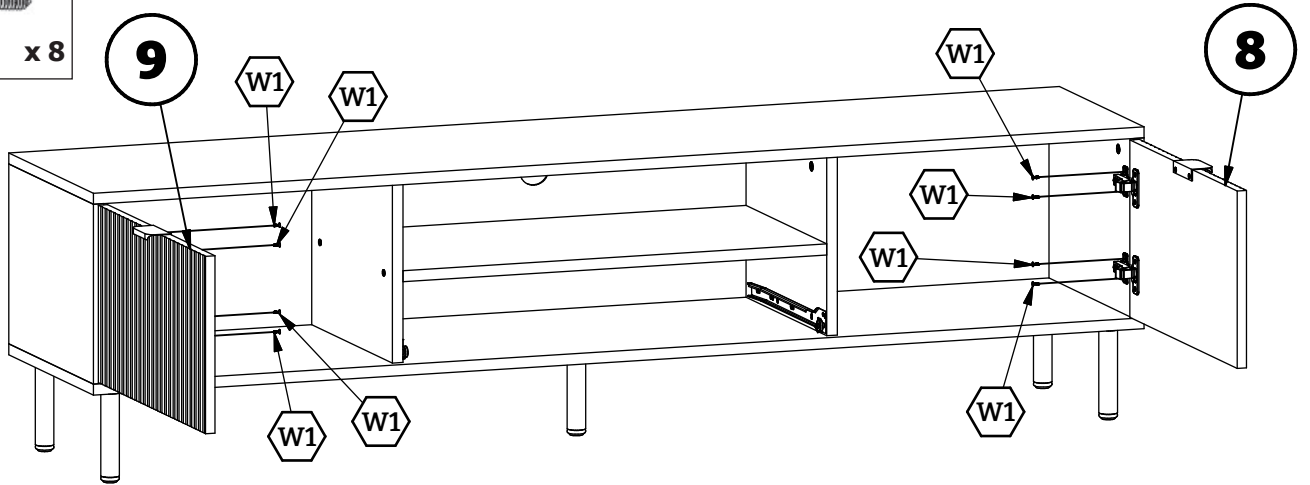
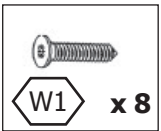
11



12



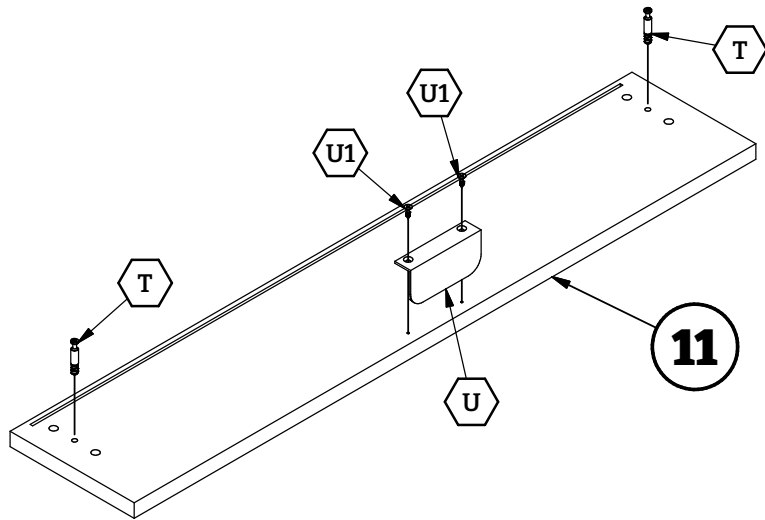
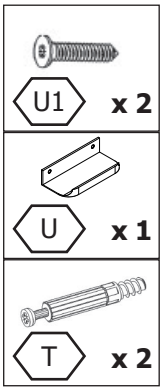
13



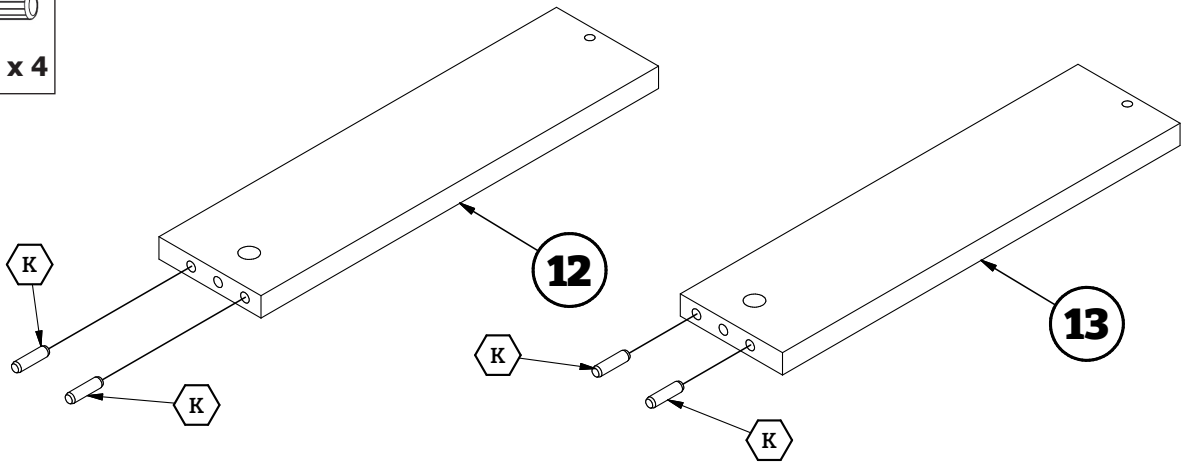
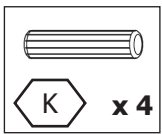
8/12

VANMAR MEBLE - WAVE RTV 2D15

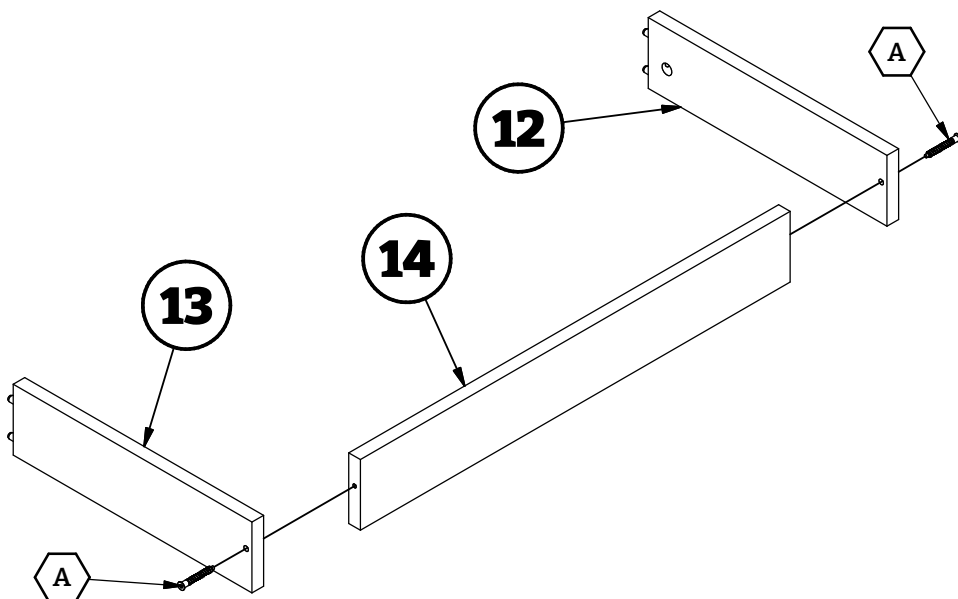
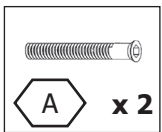
14



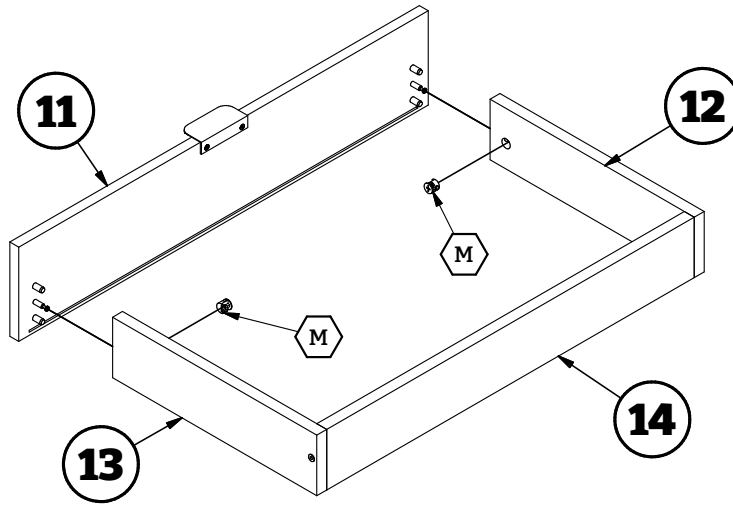
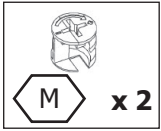
15



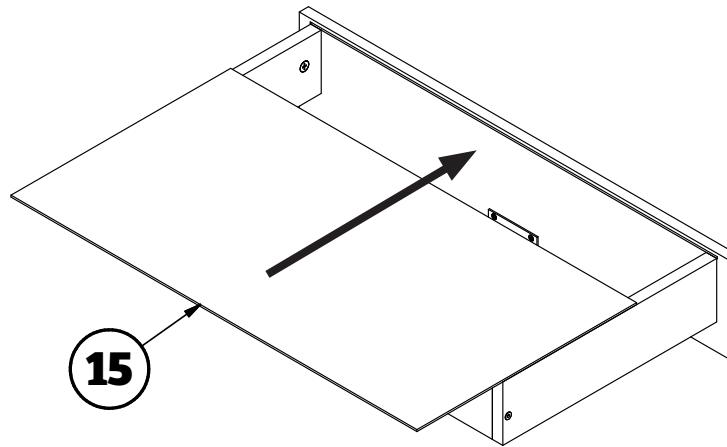
16



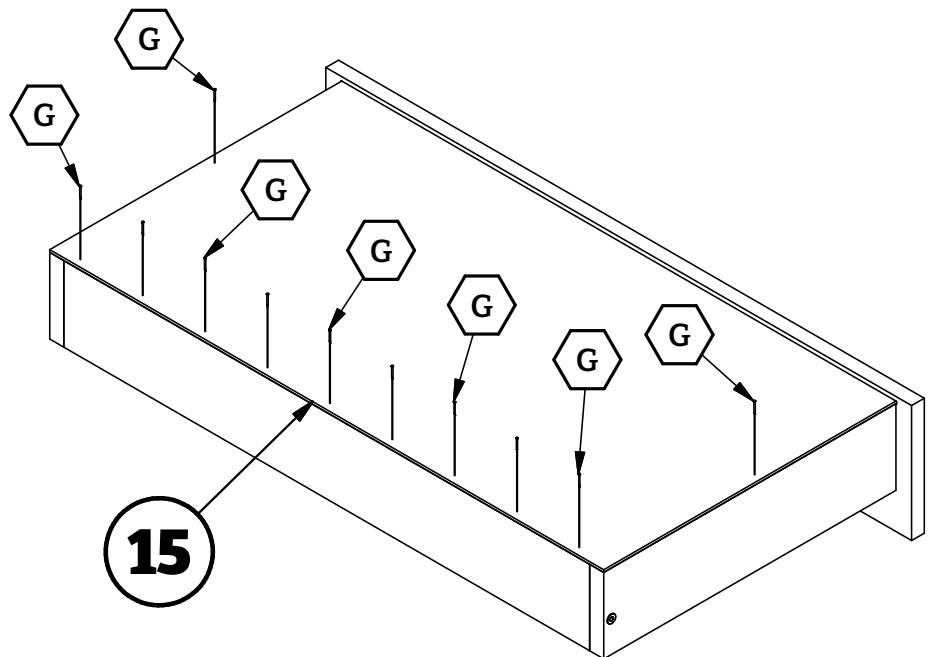
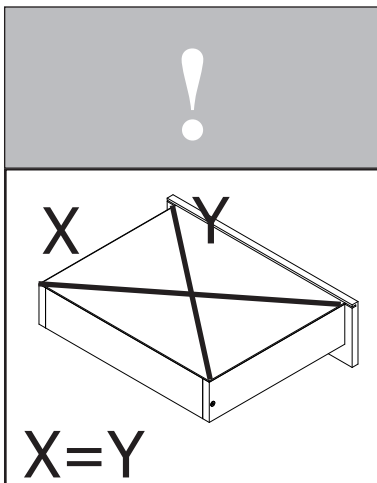
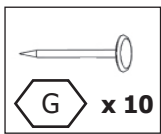
17



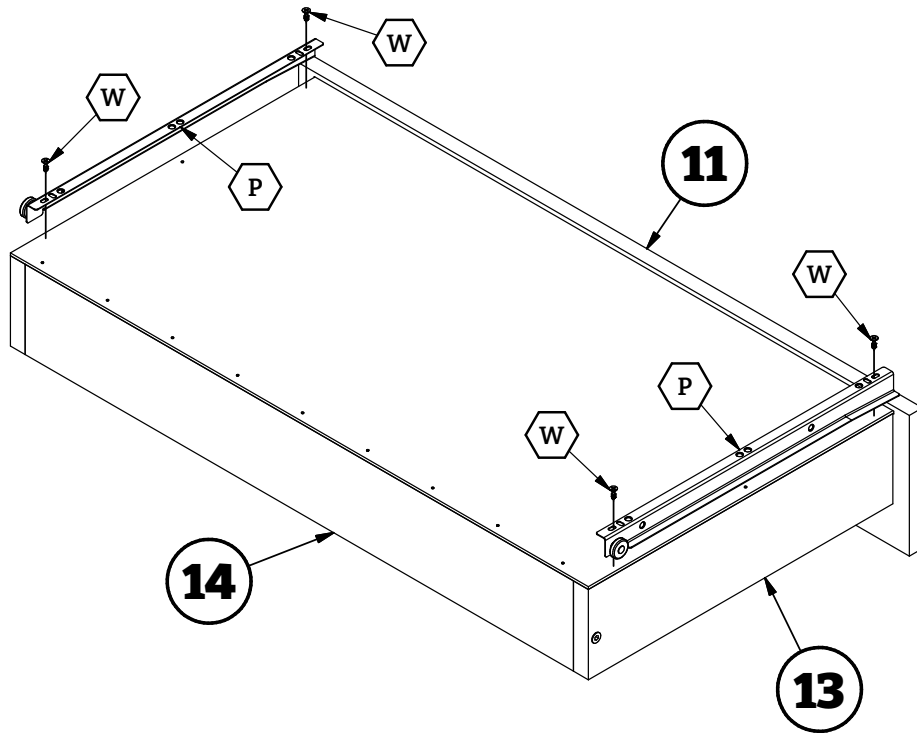
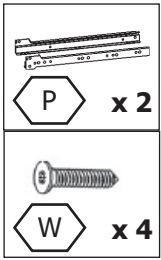
18



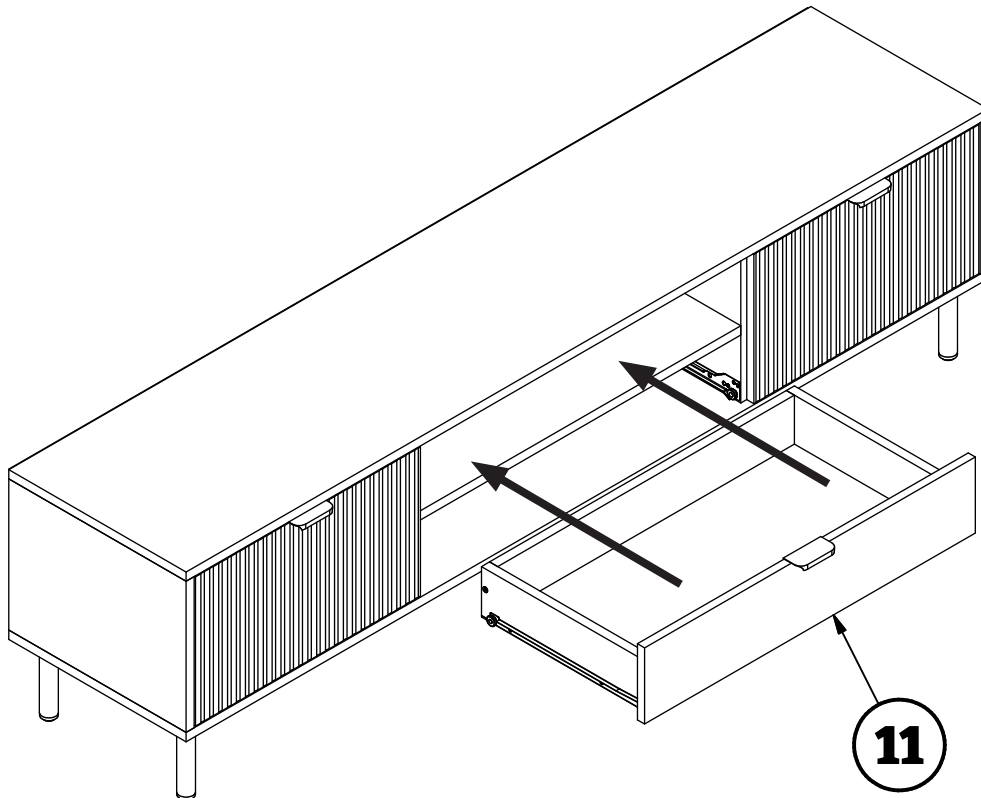
19



20



21



22

