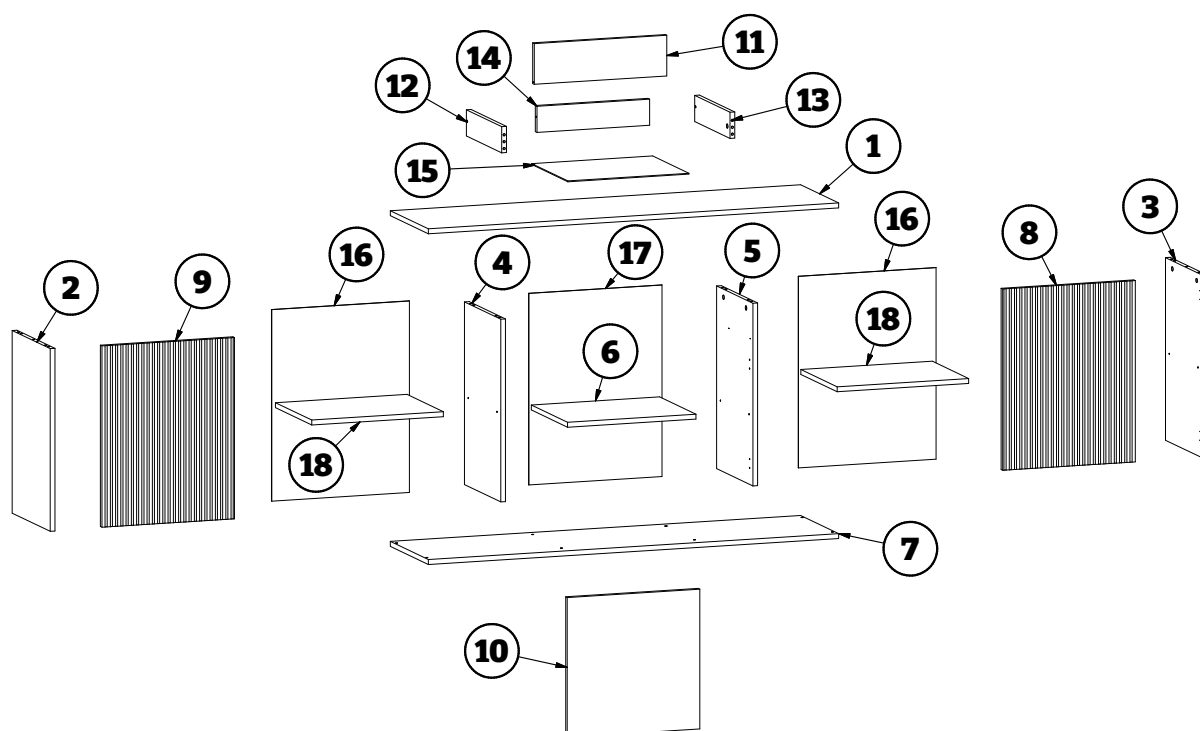
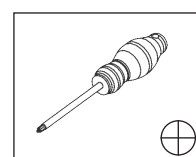
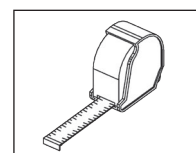
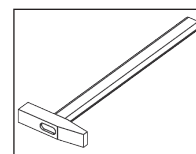
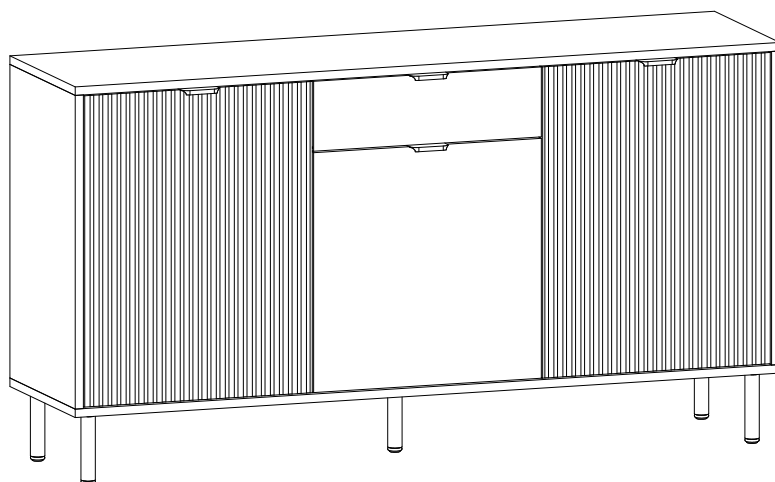


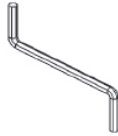

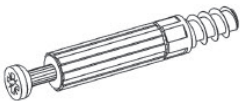

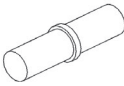

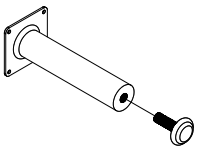
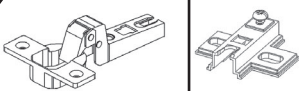


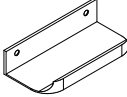

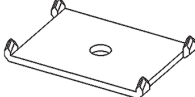
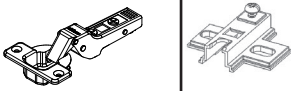
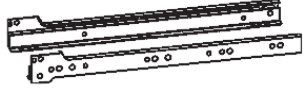


# WAVE KOMODA 3D1S





(1563x850x403mm)

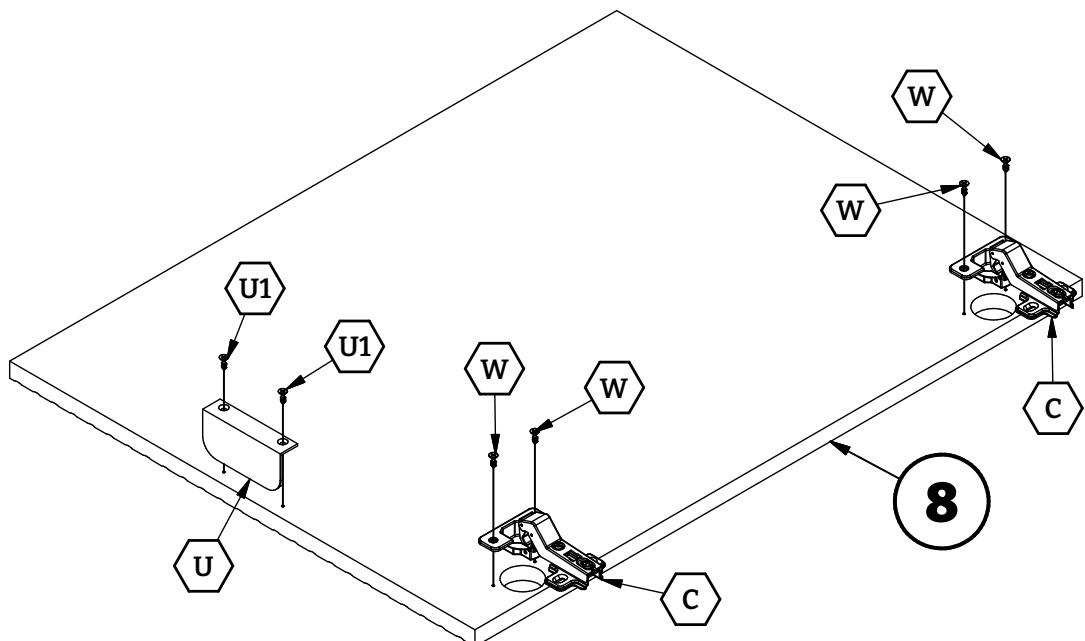


- |                           |                          |                          |
|---------------------------|--------------------------|--------------------------|
| ① <b>x1</b> 1563x400x18mm | ② <b>x1</b> 664x398x18mm | ③ <b>x1</b> 664x398x18mm |
| ④ <b>x1</b> 664x380x18mm  | ⑤ <b>x1</b> 664x380x18mm | ⑥ <b>x1</b> 489x375x18mm |
| ⑦ <b>x1</b> 1561x398x18mm | ⑧ <b>x1</b> 659x505x16mm | ⑨ <b>x1</b> 659x505x16mm |
| ⑩ <b>x1</b> 492x505x16mm  | ⑪ <b>x1</b> 164x505x16mm | ⑫ <b>x1</b> 370x120x18mm |
| ⑬ <b>x1</b> 370x120x18mm  | ⑭ <b>x1</b> 429x120x18mm | ⑮ <b>x1</b> 375x461x3mm  |
| ⑯ <b>x2</b> 524x696x3mm   | ⑰ <b>x1</b> 506x696x3mm  | ⑱ <b>x2</b> 499x375x18mm |

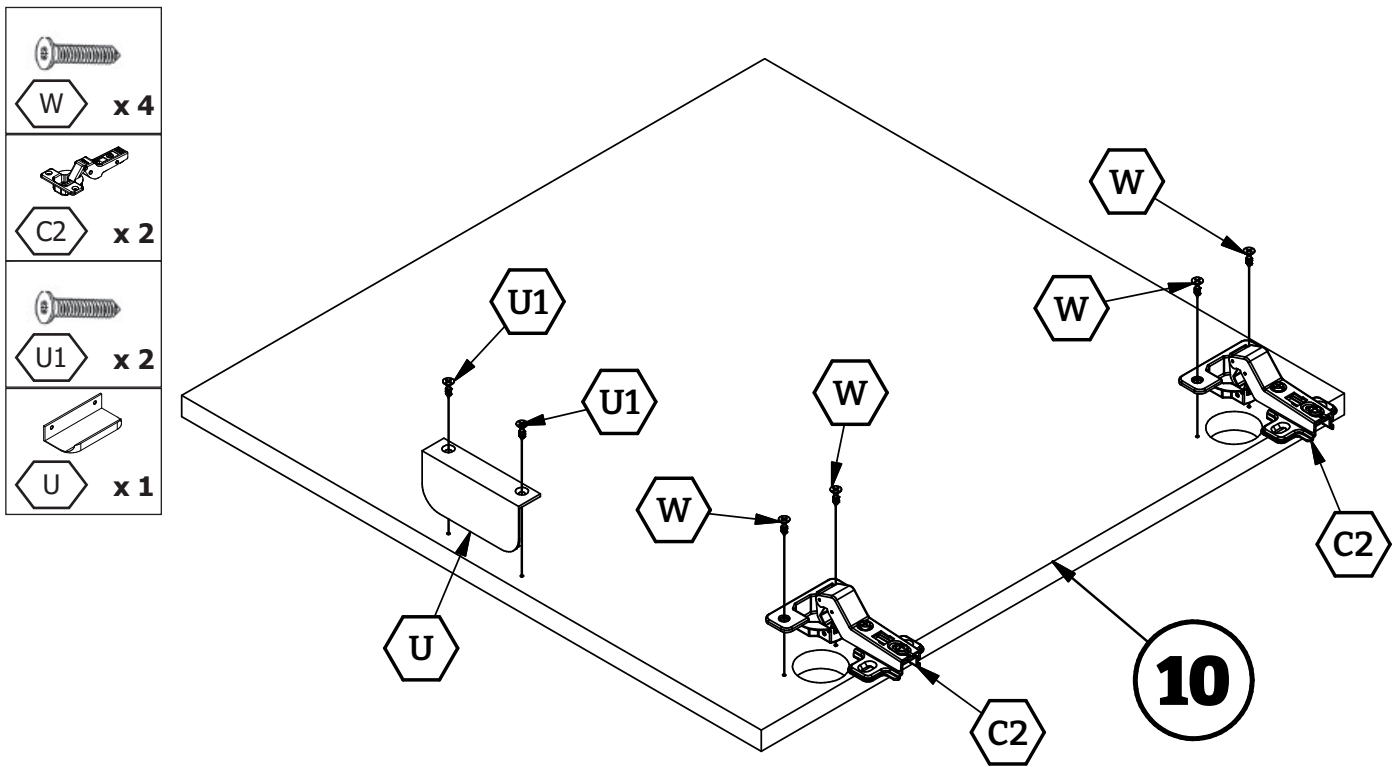
<p><b>K</b></p>  <p><b>x 14</b> <math>\Phi 8 \times 35 \text{mm}</math></p>	<p><b>W1</b></p>  <p><b>x 32</b> <math>\Phi 4 \times 16 \text{mm}</math></p>	<p><b>I</b></p>  <p><b>x 1</b></p>
<p><b>A</b></p>  <p><b>x 10</b> <math>7 \times 50</math></p>	<p><b>T</b></p>  <p><b>x 10</b></p>	<p><b>G</b></p>  <p><b>x 70</b></p>
<p><b>B</b></p>  <p><b>x 12</b></p>	<p><b>M</b></p>  <p><b>x 10</b></p>	<p><b>N</b></p>  <p><b>x 5</b></p>
<p><b>C</b></p>  <p><b>x 4</b></p>	<p><b>W</b></p>  <p><b>x 20</b> <math>\Phi 3,5 \times 16 \text{mm}</math></p>	<p><b>M2</b></p>  <p><b>x 10</b></p>
<p><b>U</b></p>  <p><b>x 4</b></p>	<p><b>U1</b></p>  <p><b>x 8</b> <math>\Phi 3 \times 12 \text{mm}</math></p>	<p><b>G2</b></p>  <p><b>x 10</b></p>
<p><b>C2</b></p>  <p><b>x 2</b></p>	<p><b>P</b></p>  <p><b>x 1</b></p>	

1

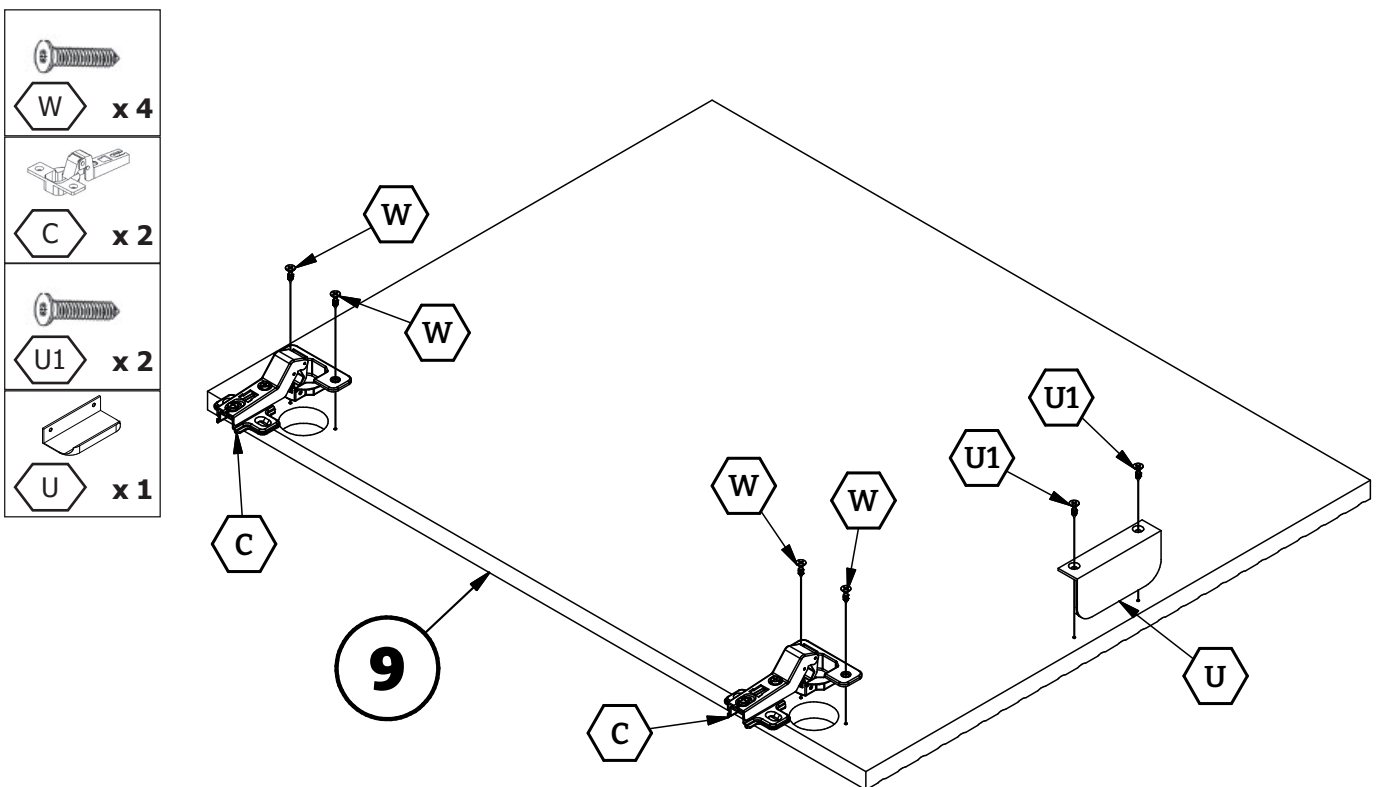
	<b>W</b>	<b>x 4</b>
	<b>C</b>	<b>x 2</b>
	<b>U1</b>	<b>x 2</b>
	<b>U</b>	<b>x 1</b>



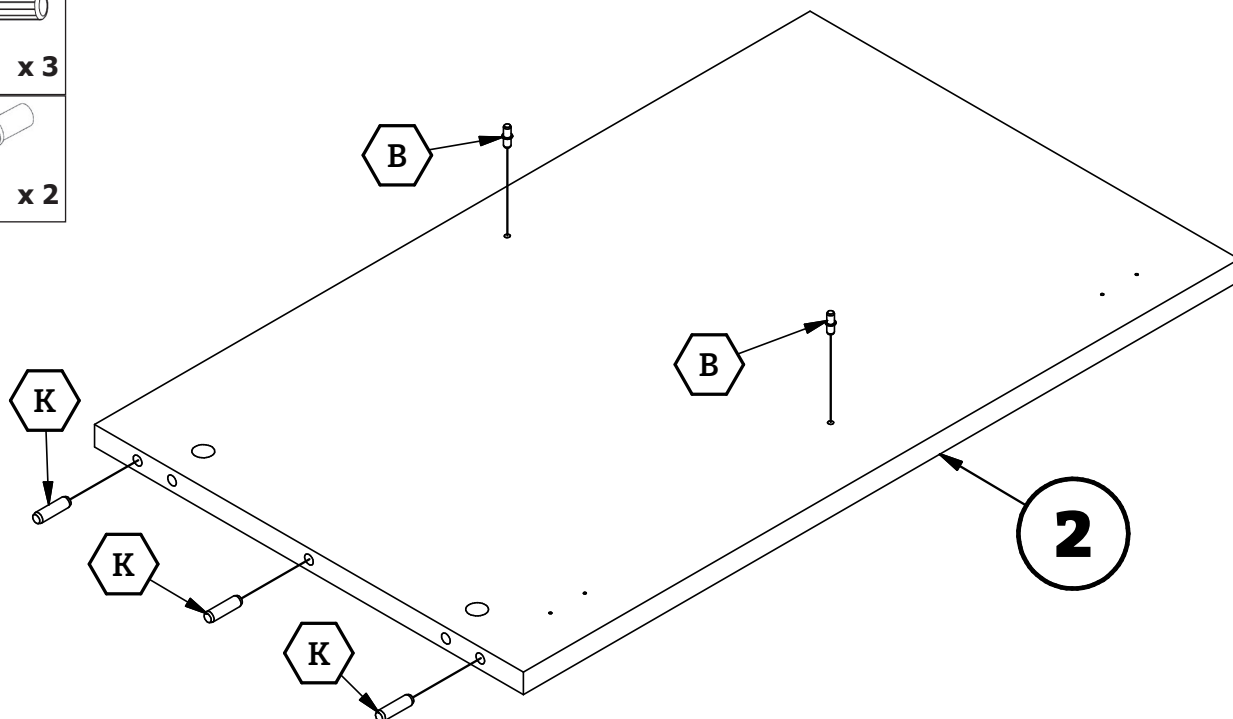
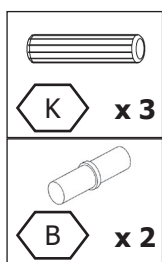
2



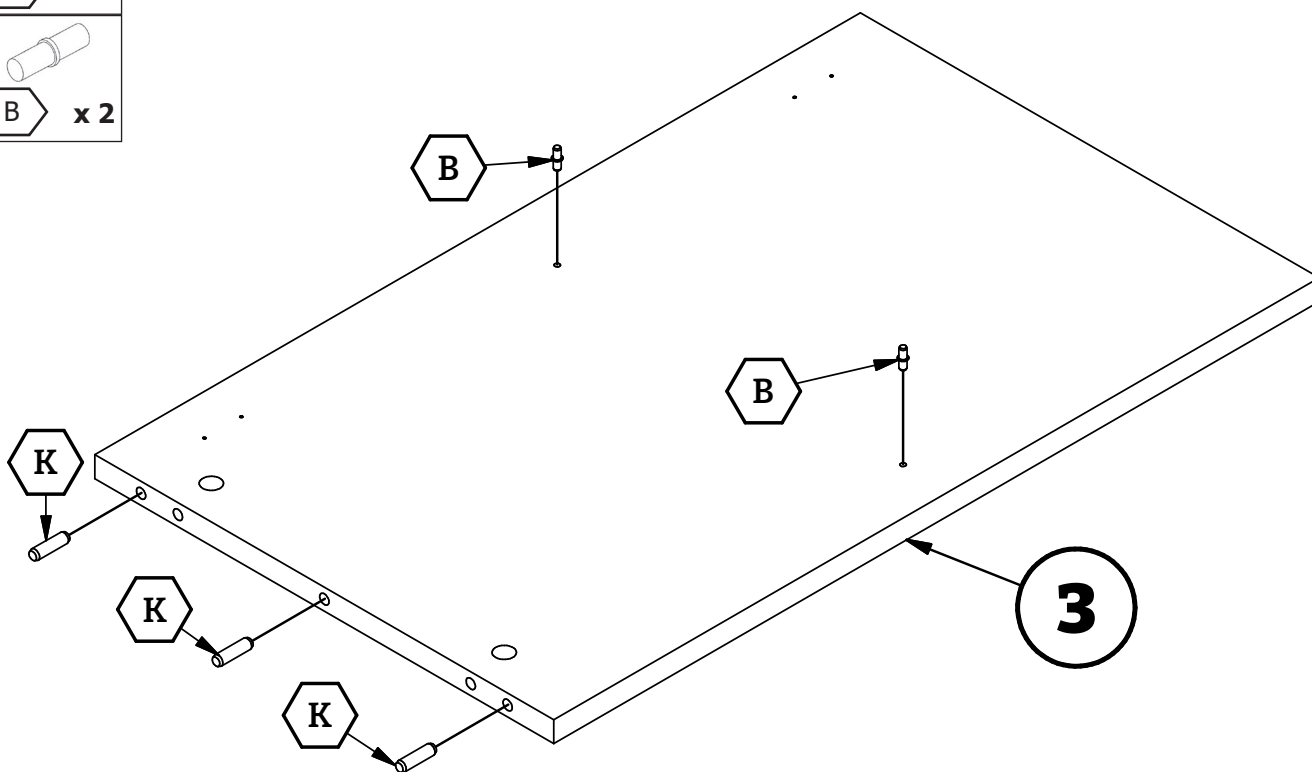
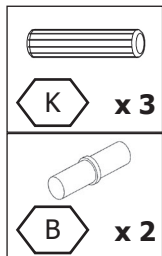
3



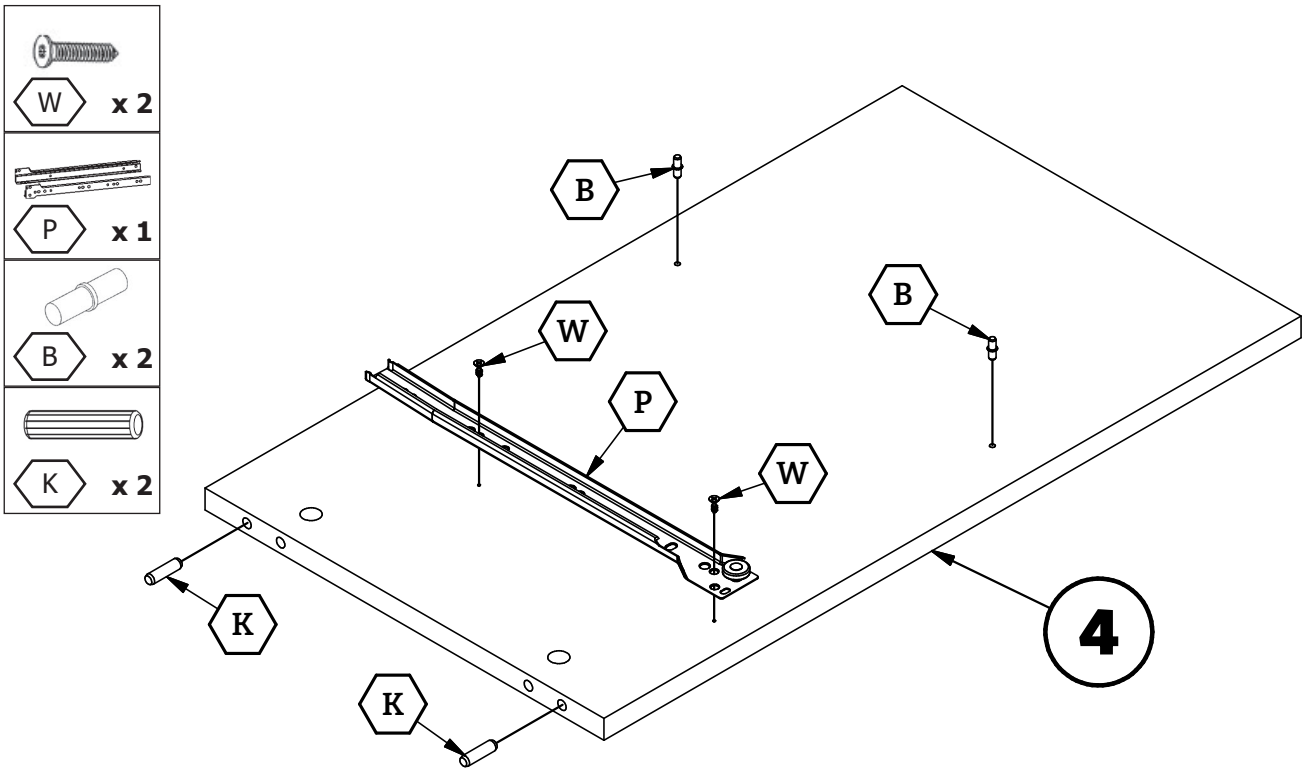
4



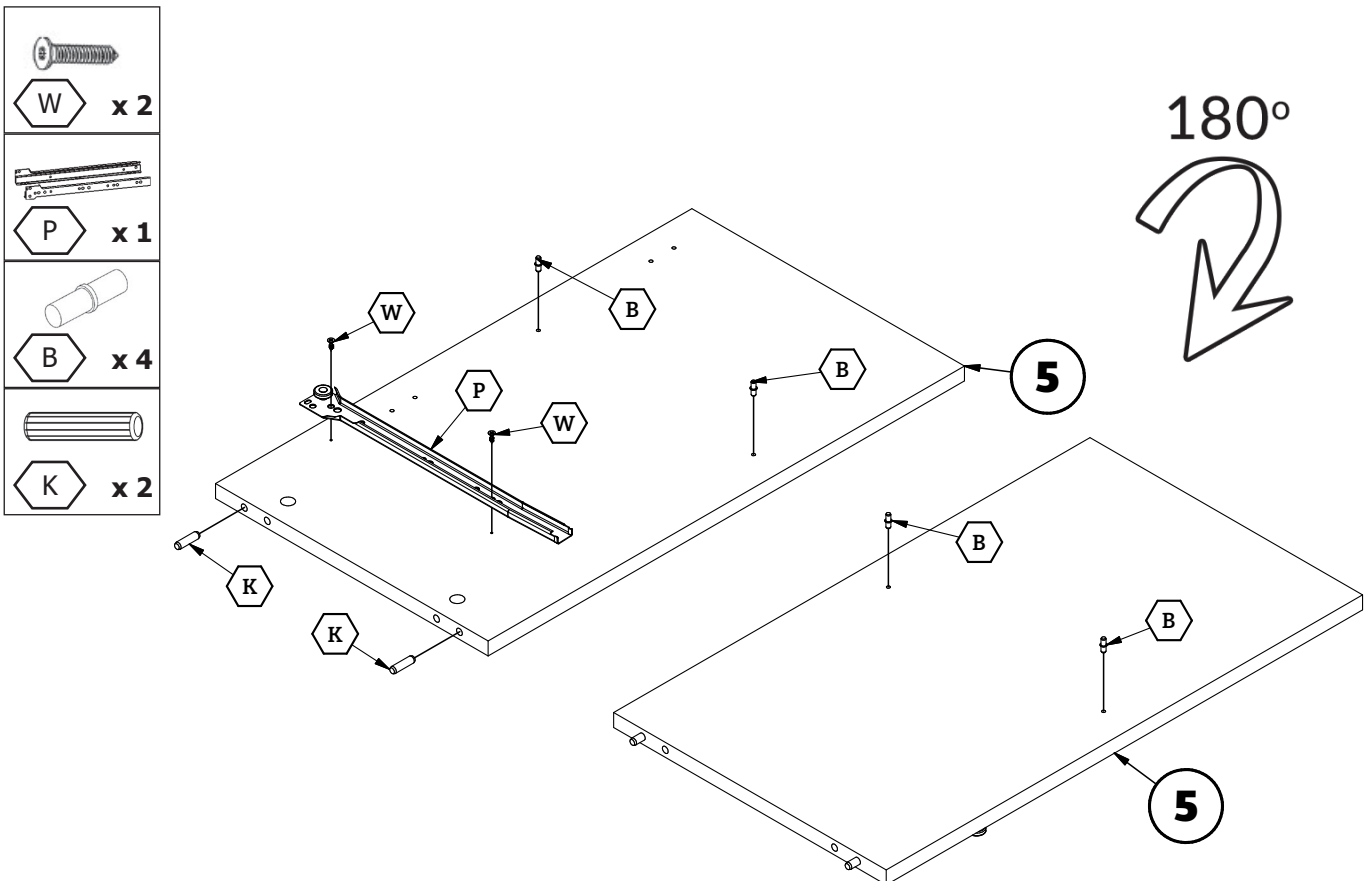
5

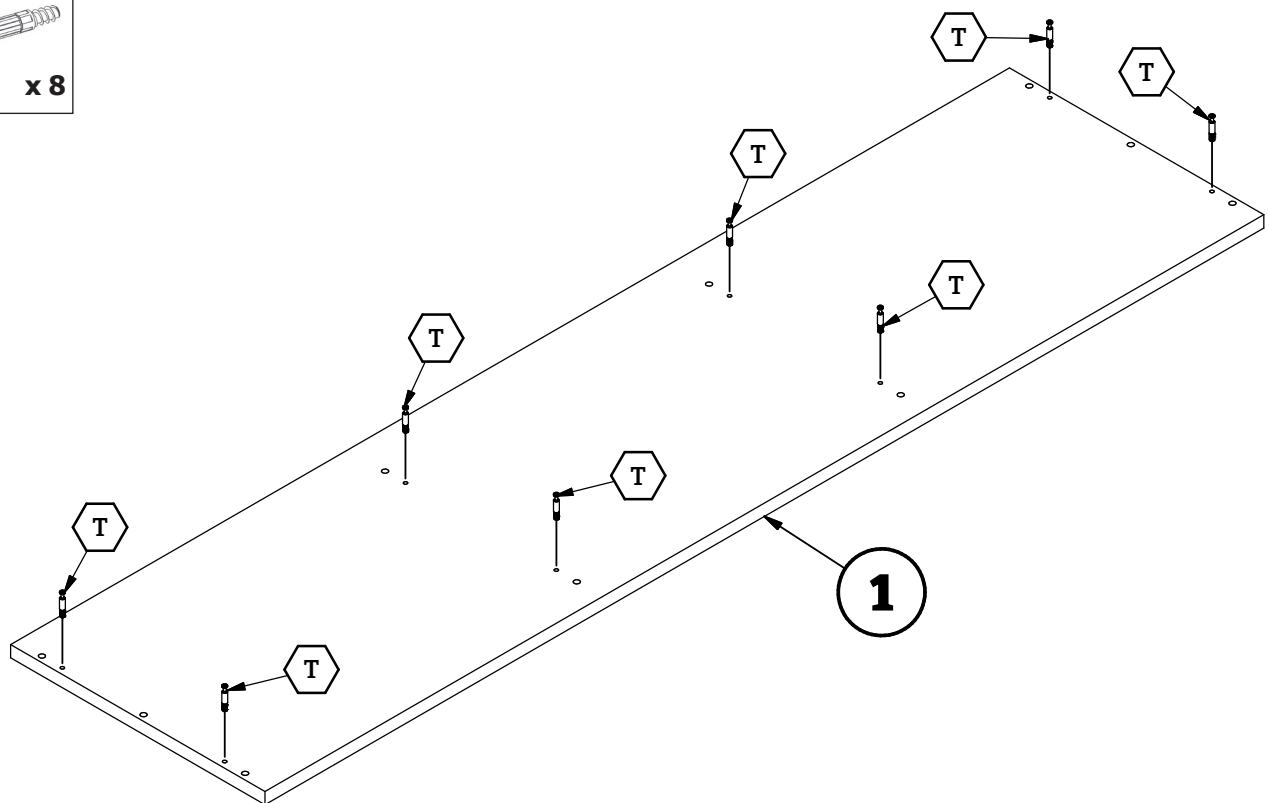
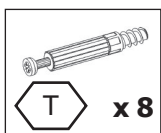
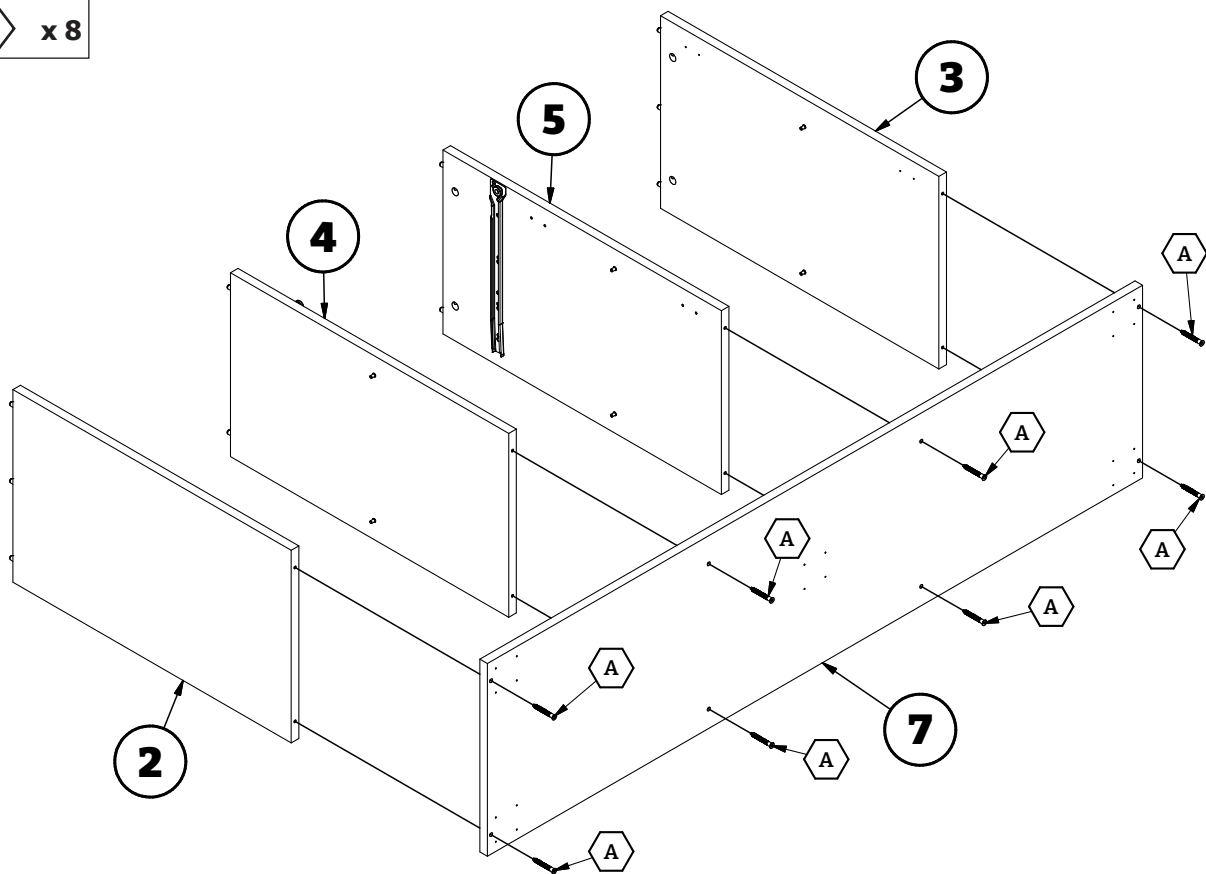
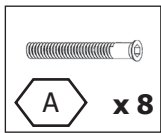


6

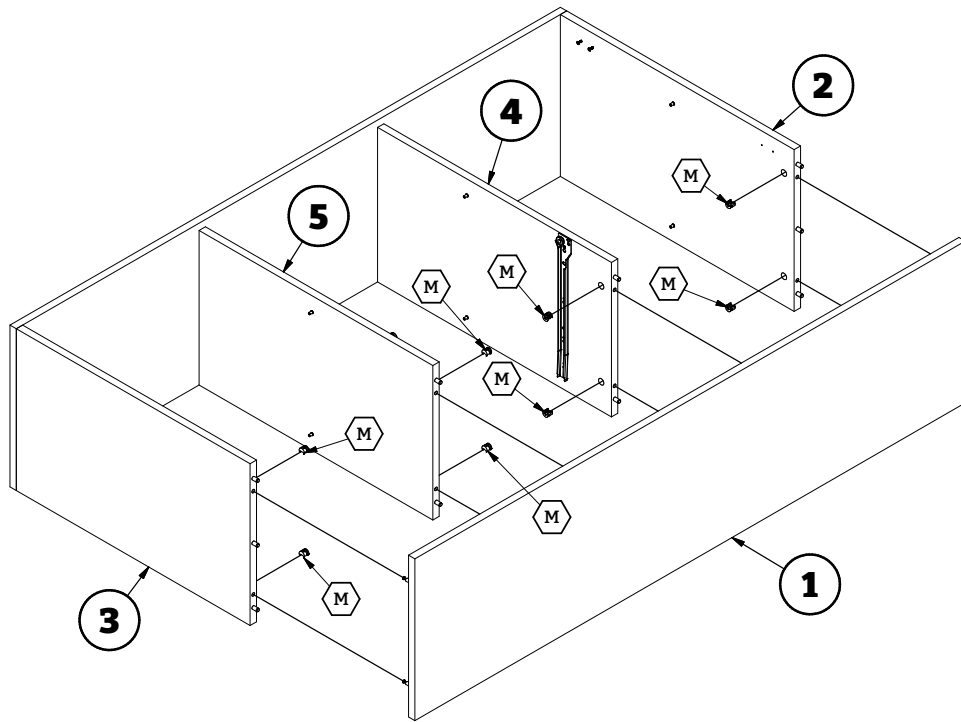
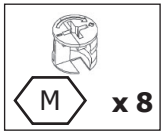


7

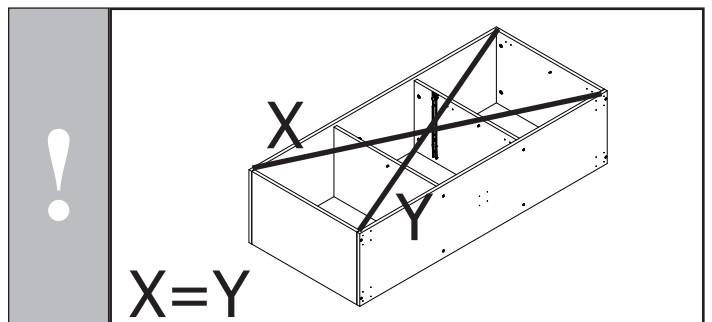
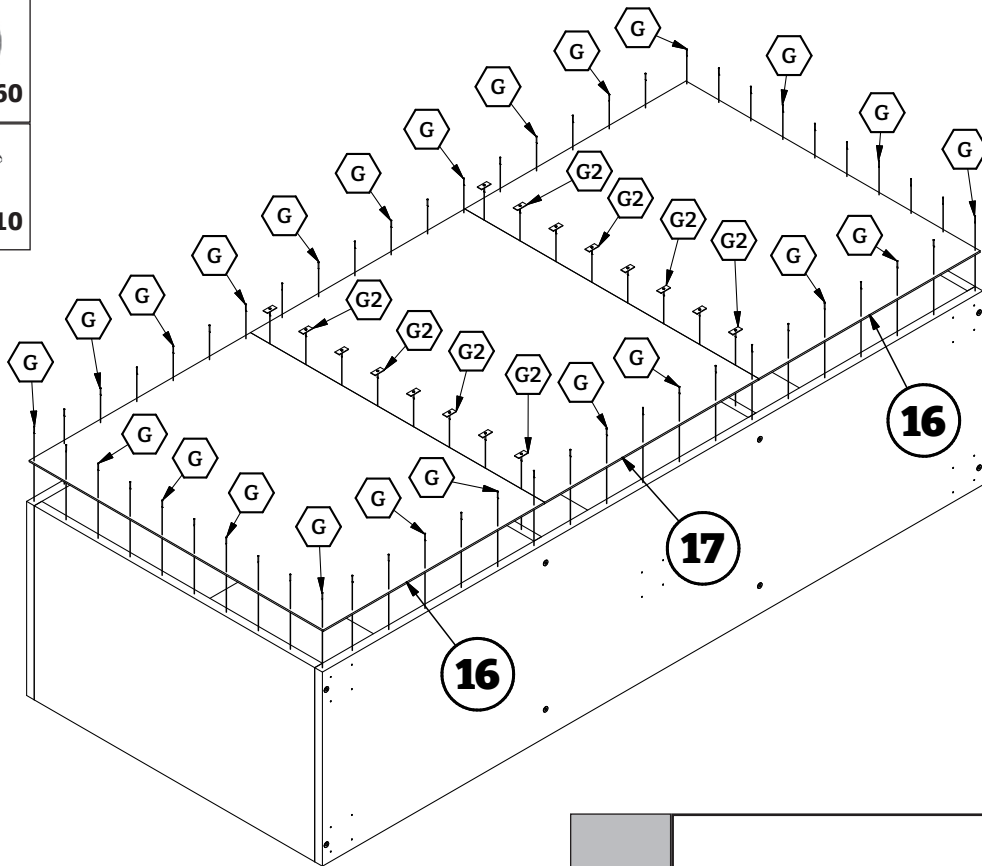
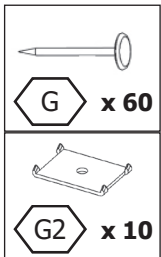




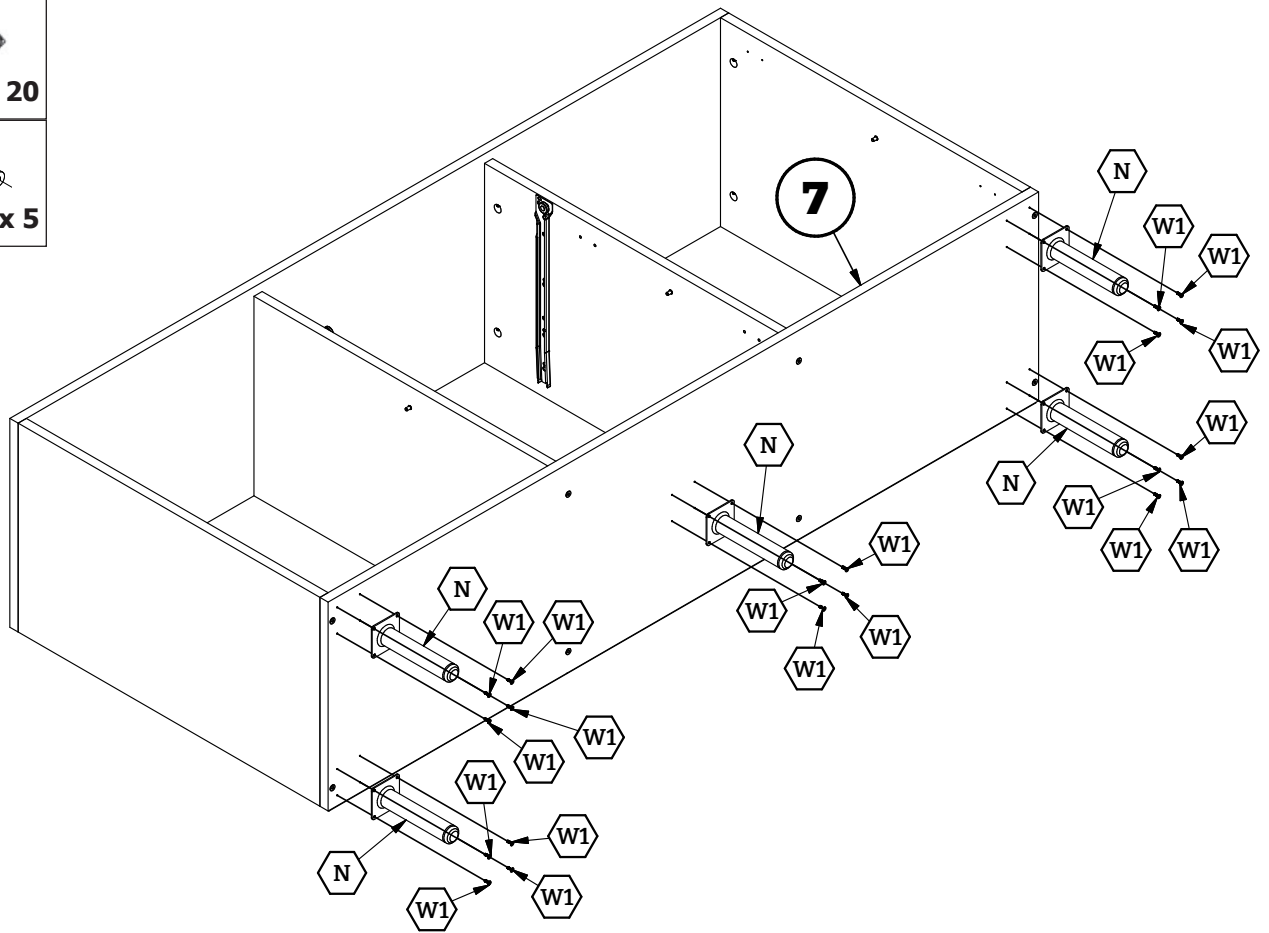
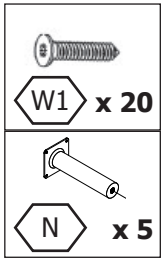
10



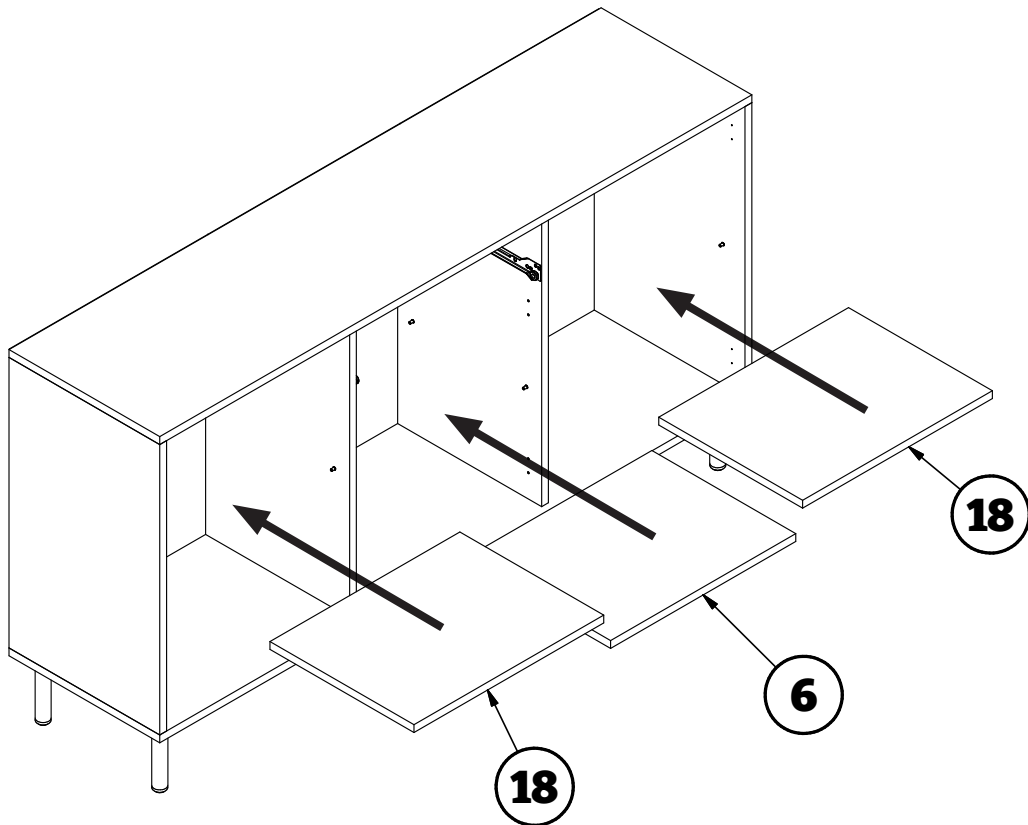
11



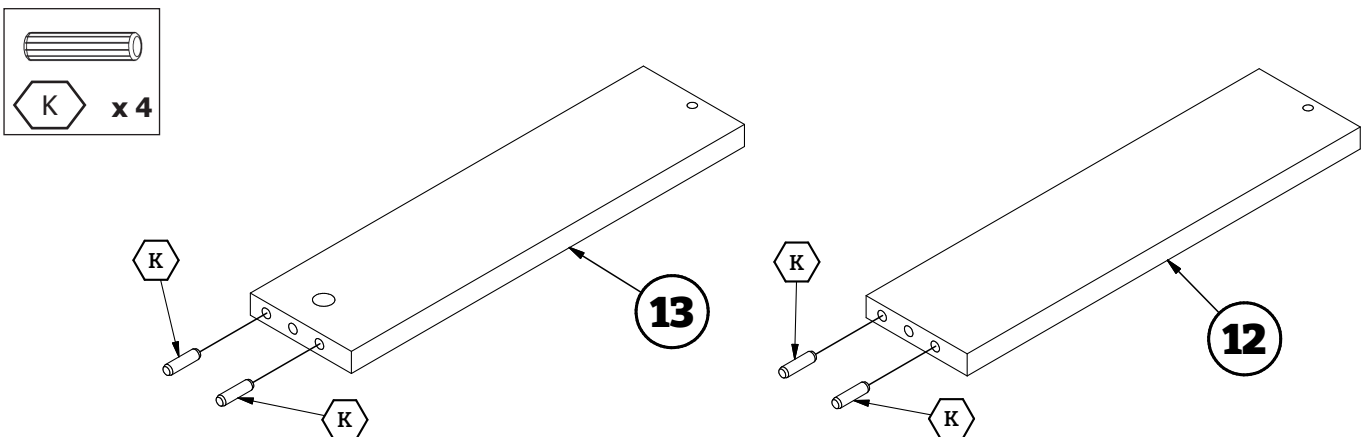
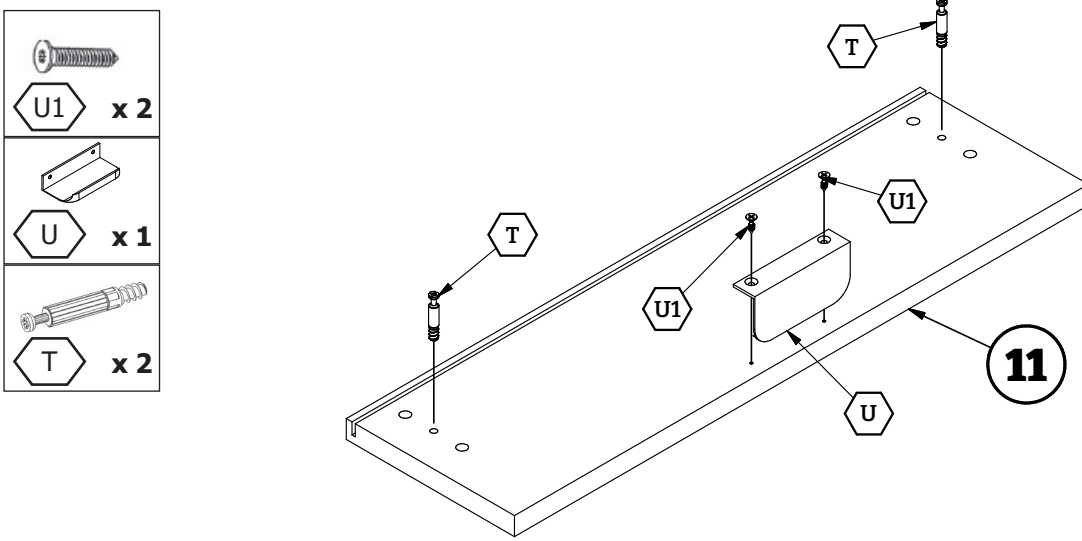
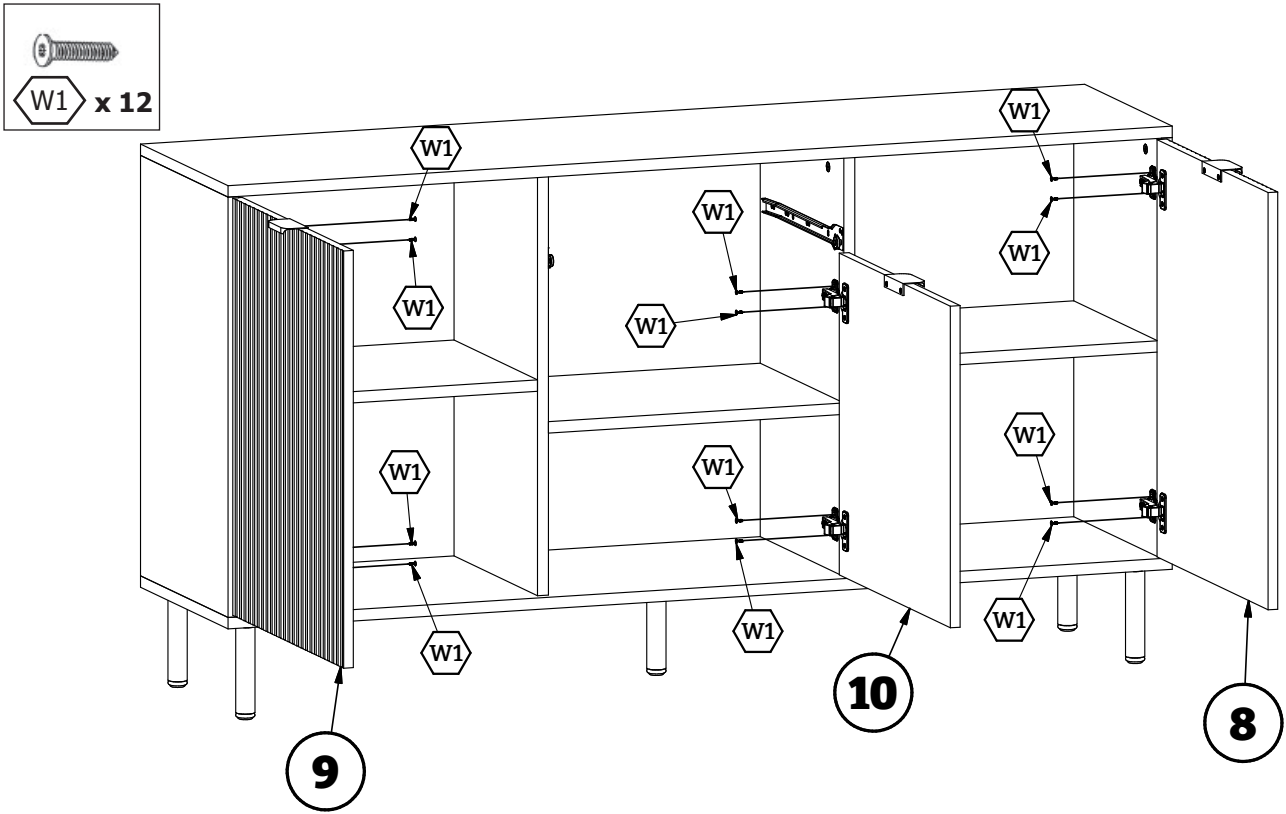
12



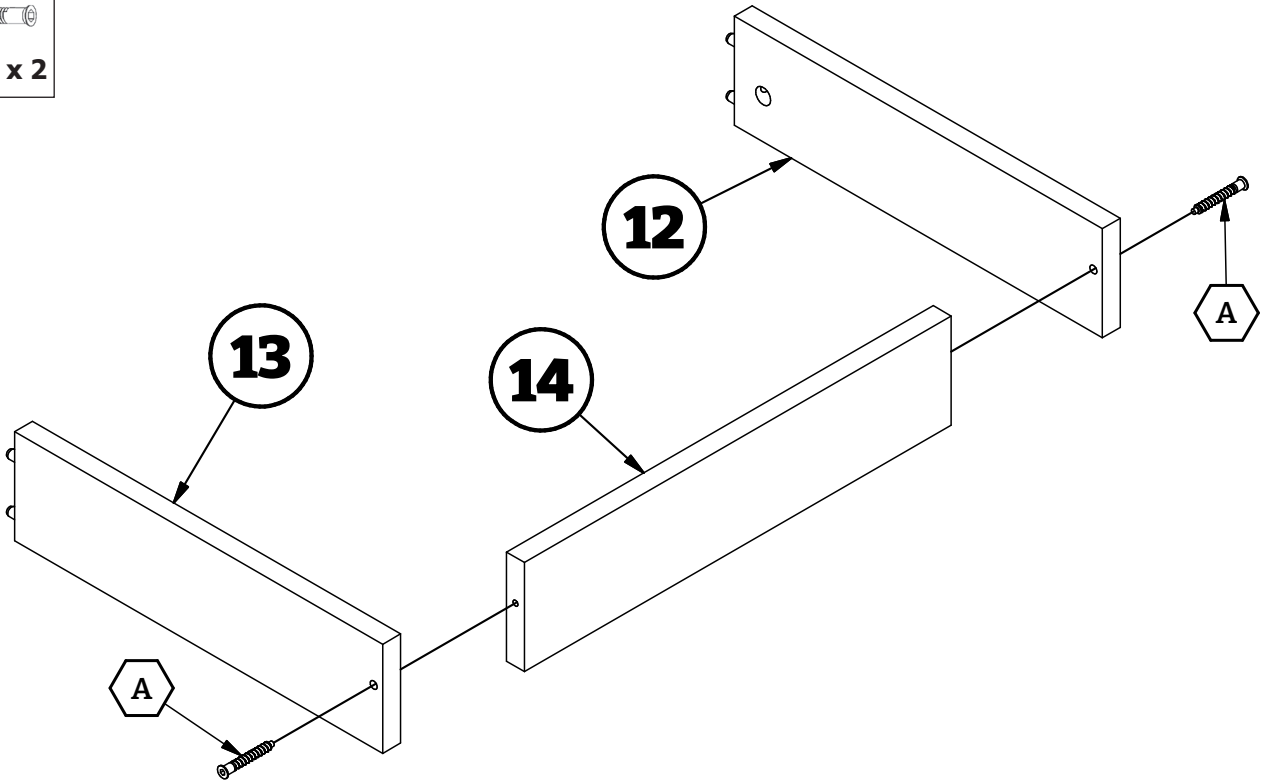
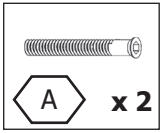
13



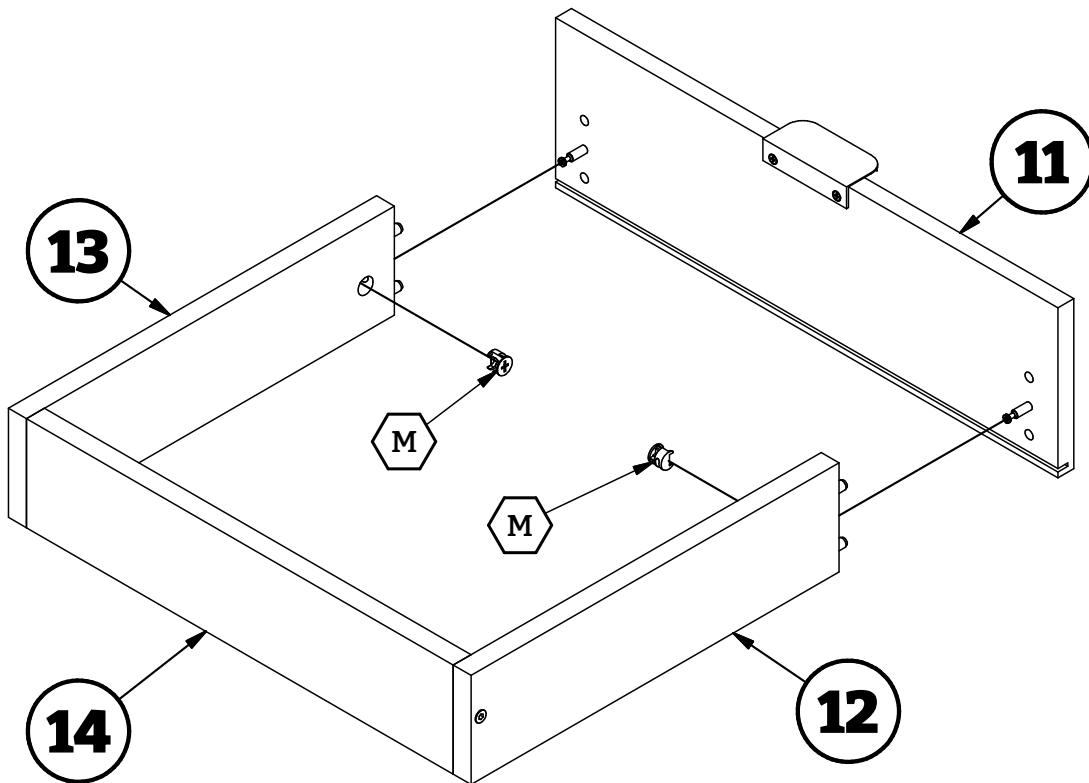
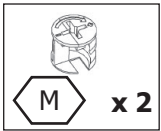




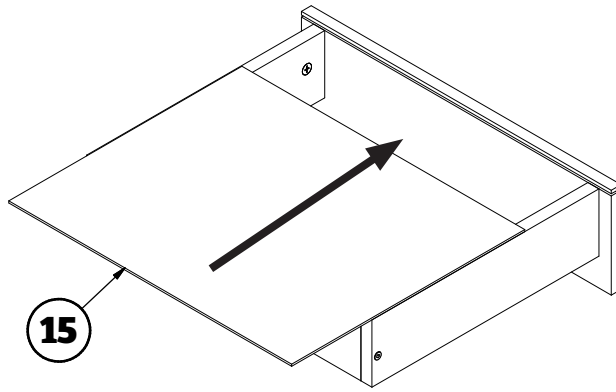
17



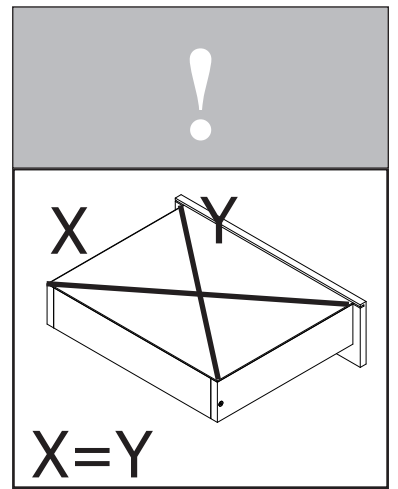
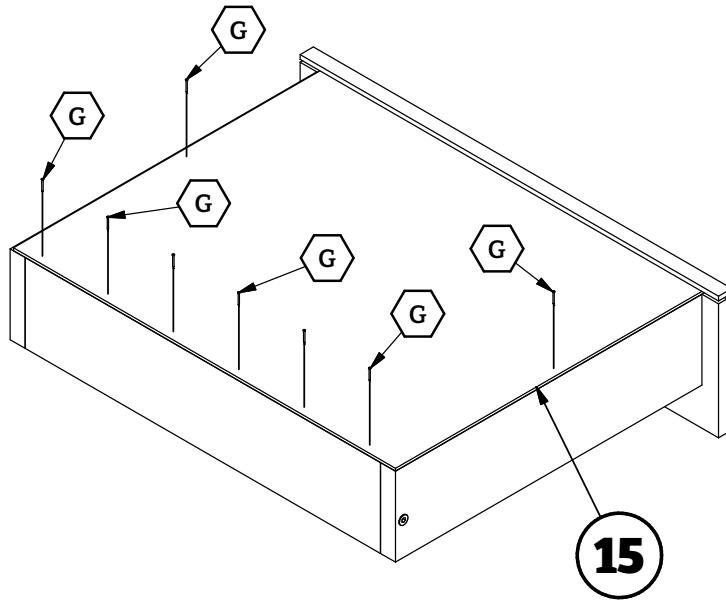
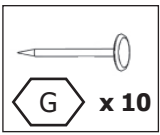
18



19



20



21

