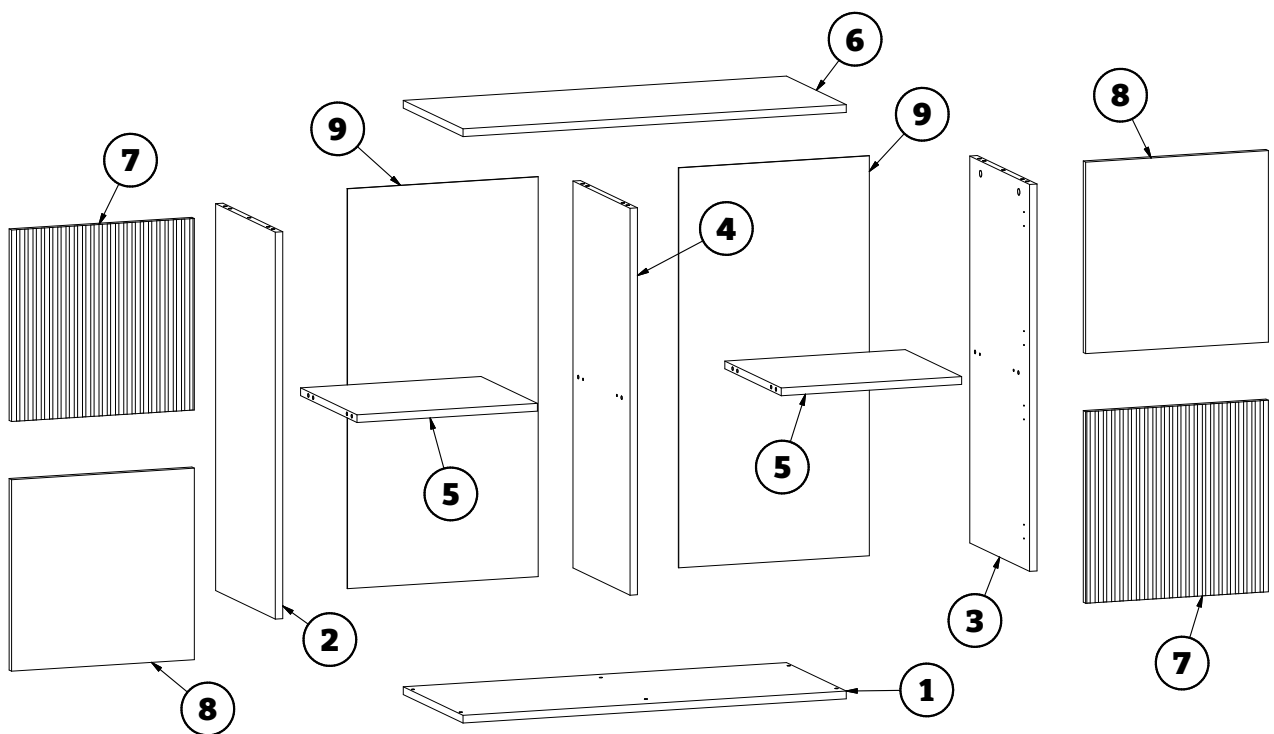
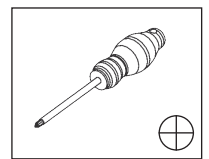
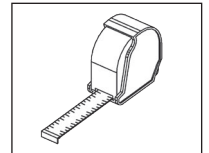
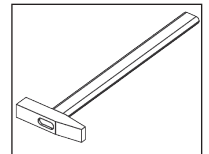
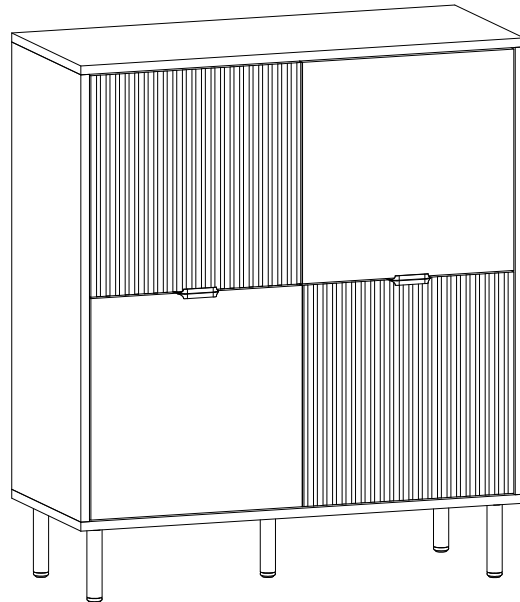


# WAVE KOMODA 4D

(932x1081x403mm)



① **x1** 929x398x18mm

② **x1** 895x398x18mm

③ **x1** 895x398x18mm

④ **x1** 895x380x18mm



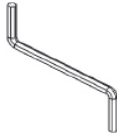

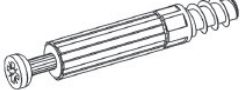

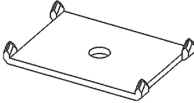

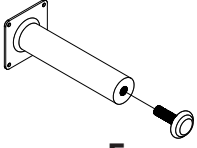
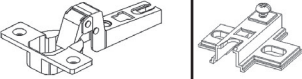
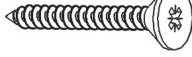

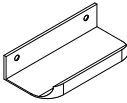

⑤ **x2** 437x376x18mm

⑥ **x1** 932x400x18mm





⑦ **x2** 443x443x16mm

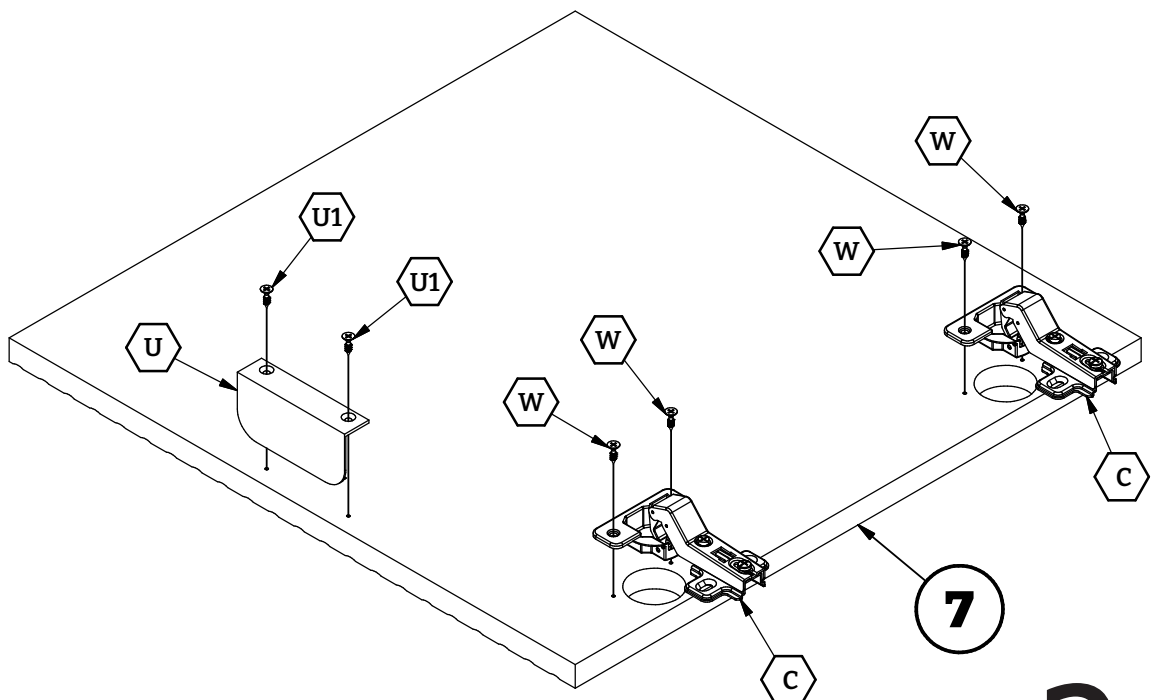
⑧ **x2** 443x443x16mm

⑨ **x2** 925x462x3mm

 <b>x 16</b> $\Phi 8 \times 35 \text{mm}$	 <b>x 36</b> $\Phi 4 \times 16 \text{mm}$	 <b>x 1</b>
 <b>x 6</b> $7 \times 50$	 <b>x 14</b>	 <b>x 60</b>
 <b>x 8</b>	 <b>x 14</b>	 <b>x 5</b>
 <b>x 8</b>	 <b>x 16</b> $\Phi 3,5 \times 16 \text{mm}$	 <b>x 14</b>
 <b>x 4</b>	 <b>x 8</b> $\Phi 3 \times 12 \text{mm}$	

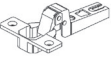


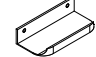
1

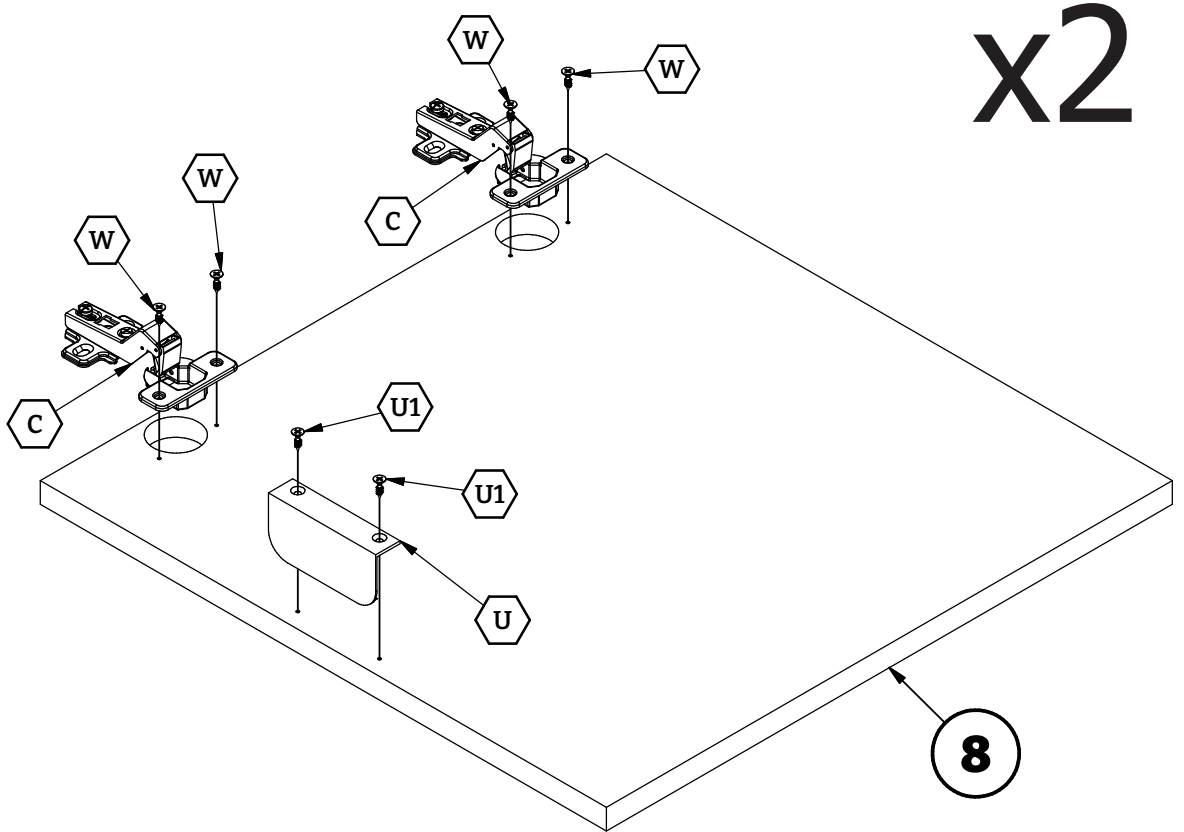
 <b>x 2</b>
 <b>x 4</b>
 <b>x 2</b>
 <b>x 1</b>




**x2**

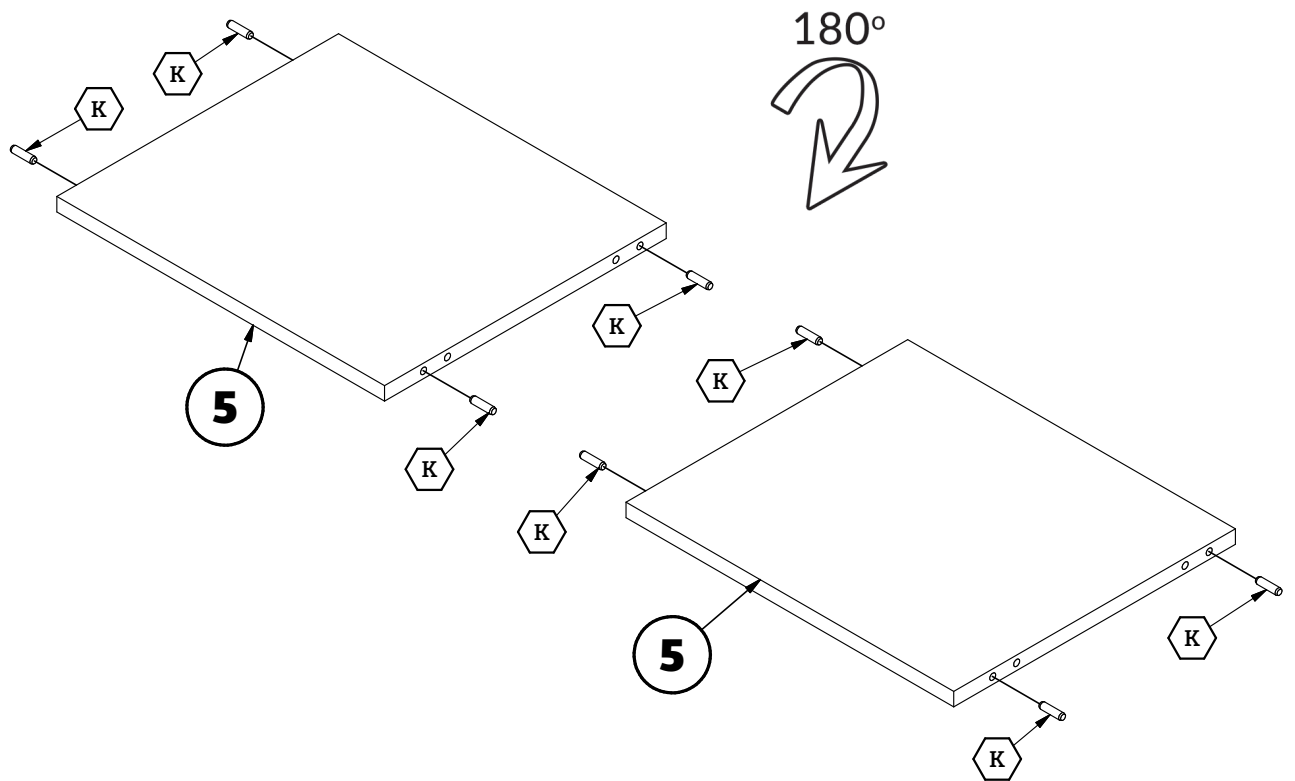
2

-  **C** x 2
-  **W** x 4
-  **U1** x 2
-  **U** x 1

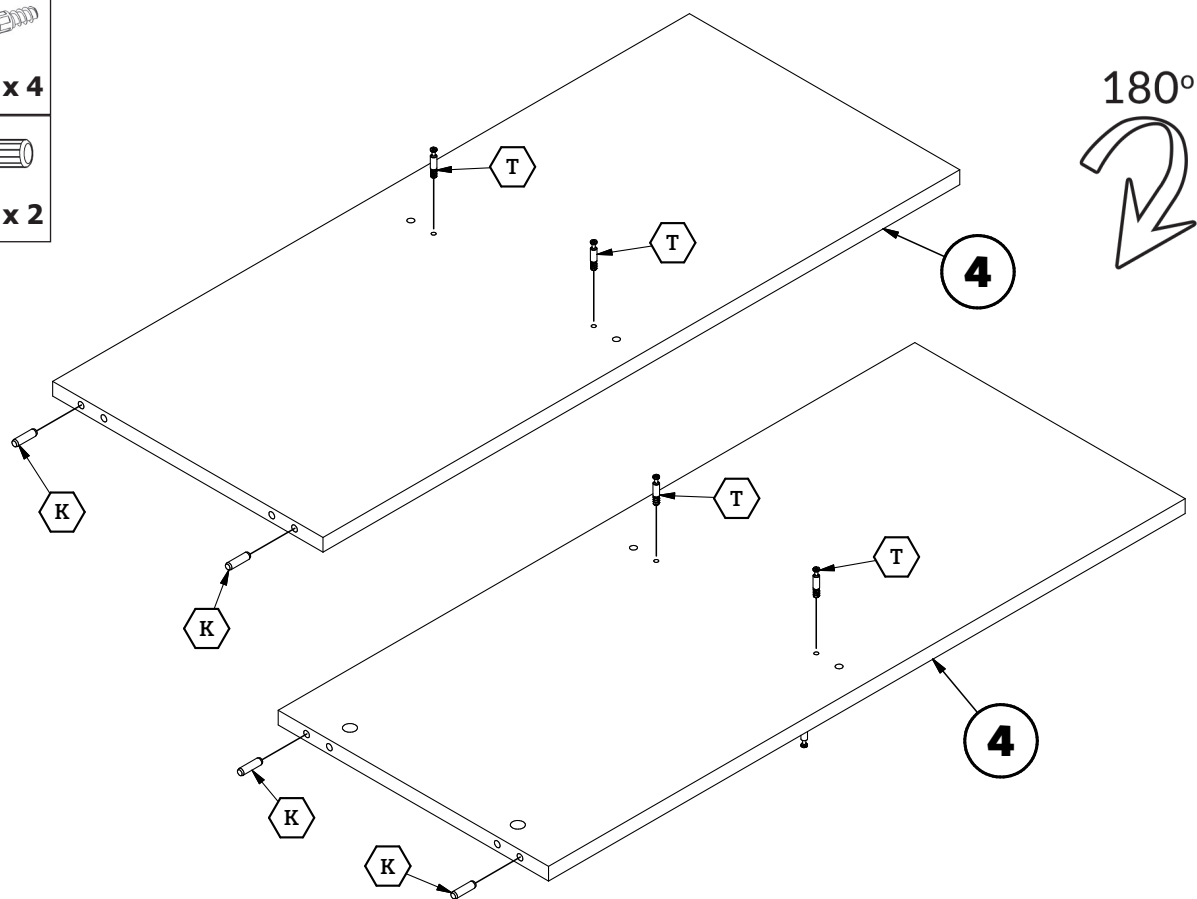
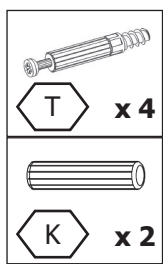


3

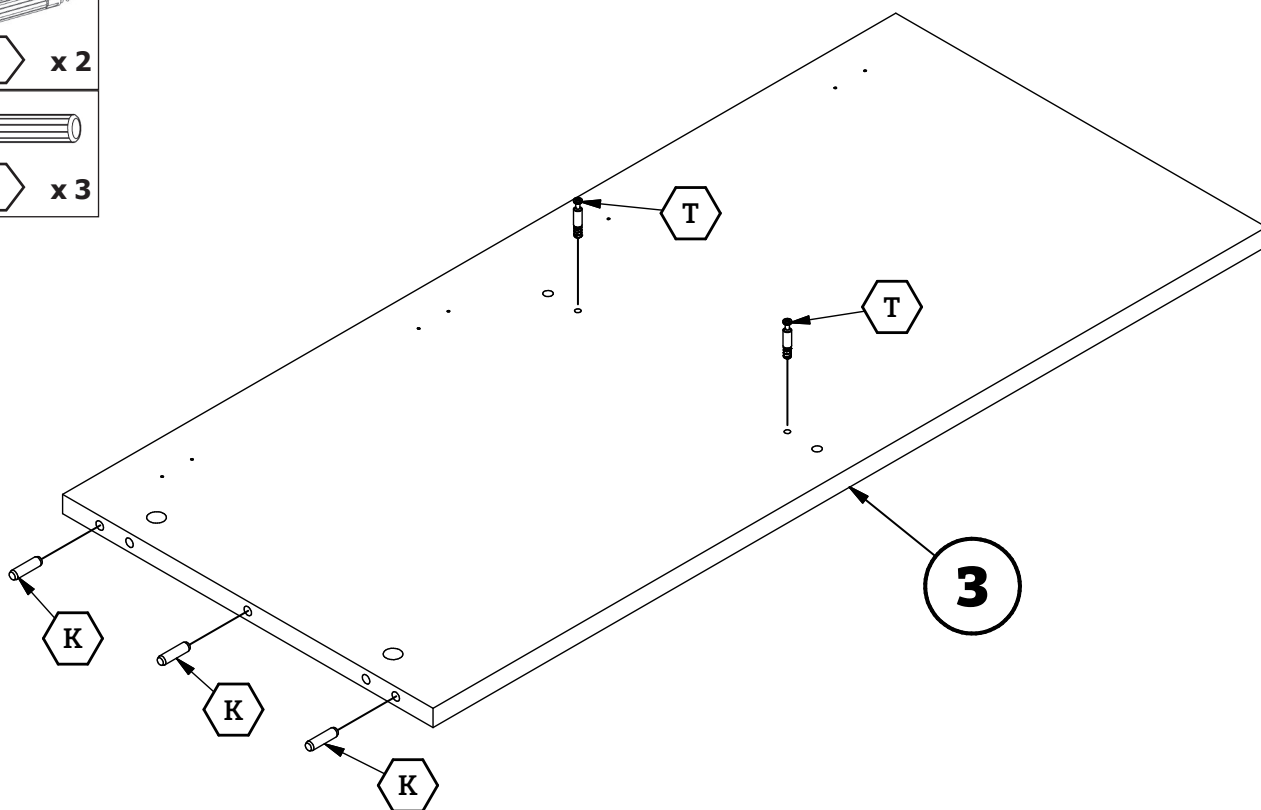
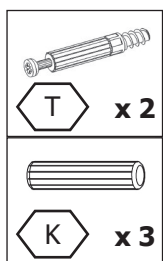
-  **K** x 4



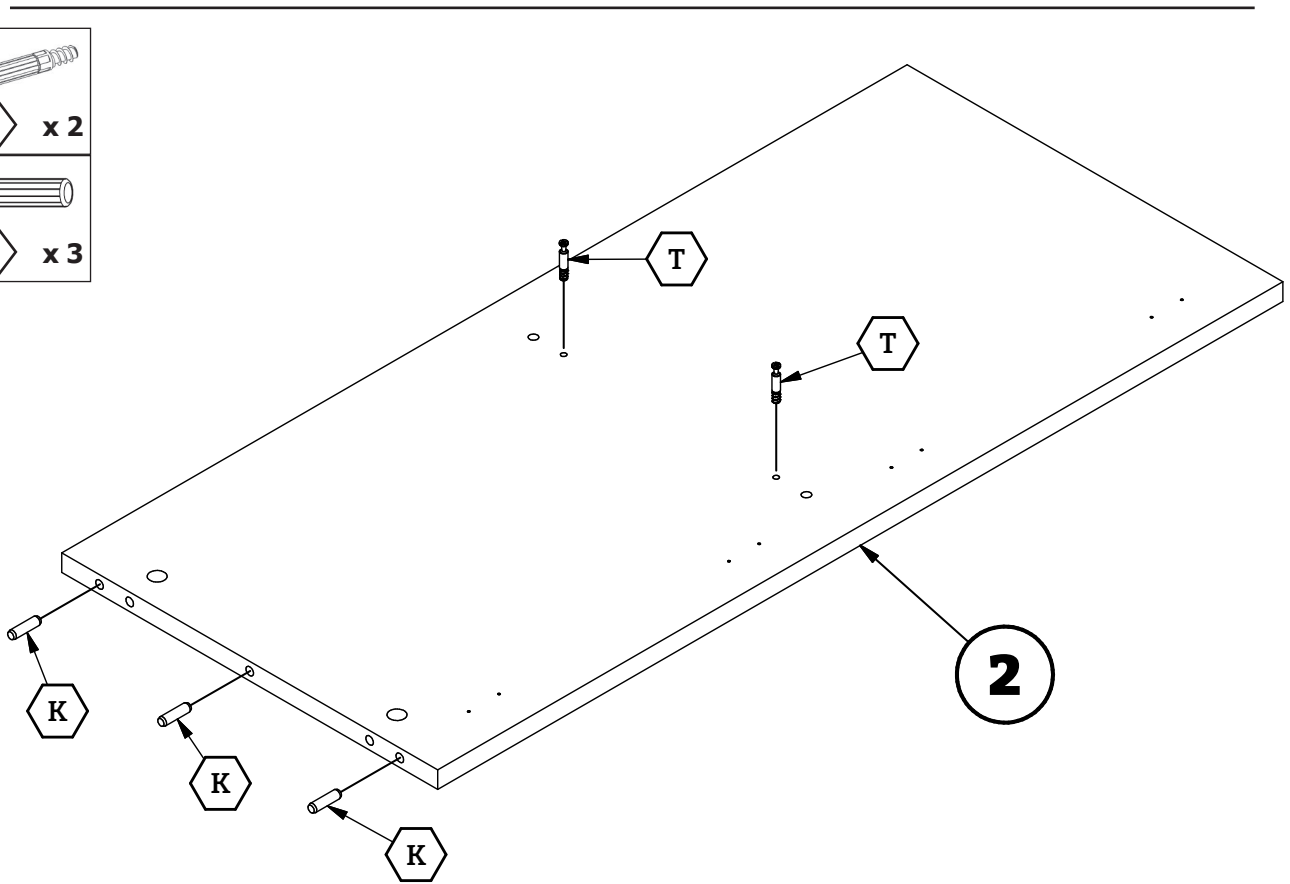
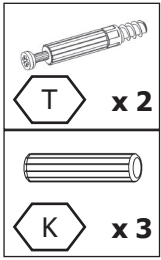
4



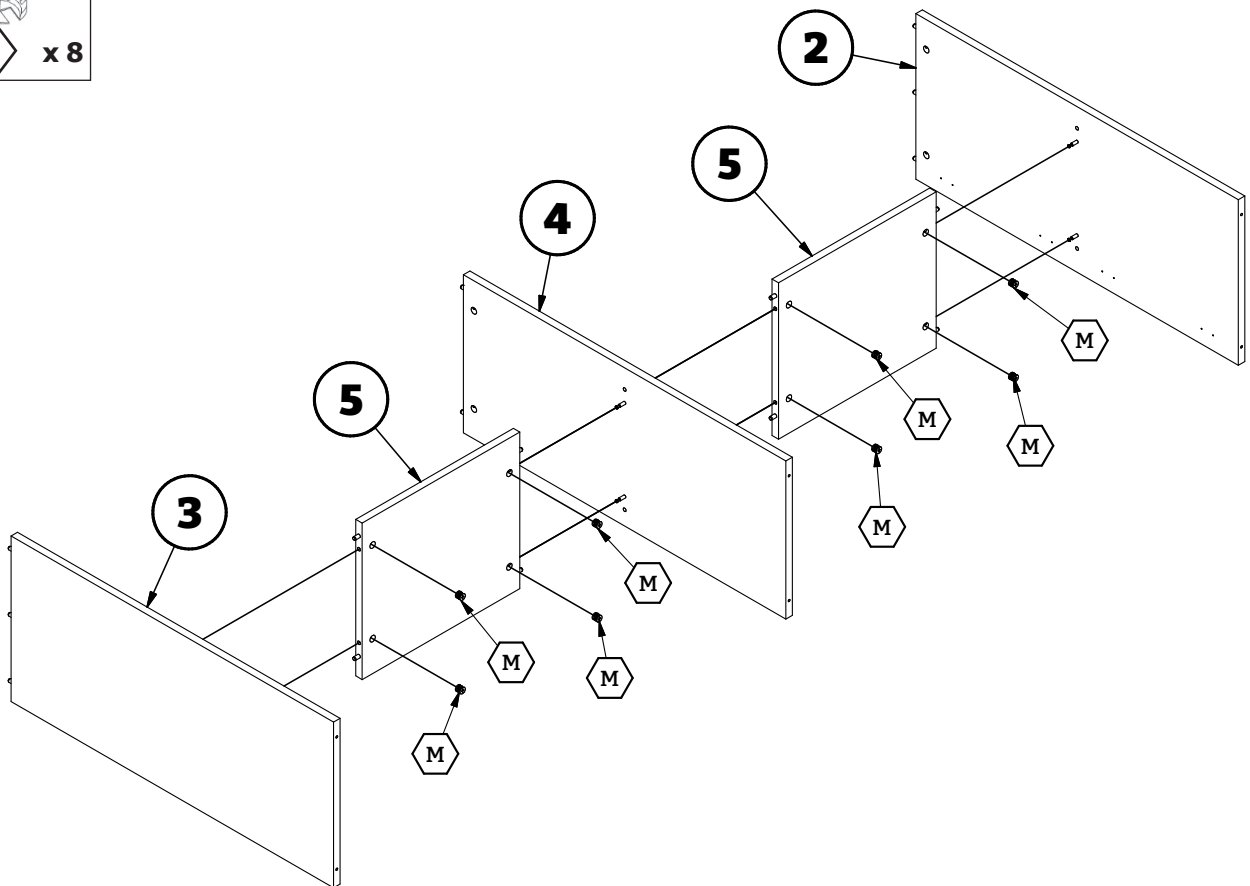
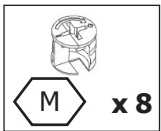
5

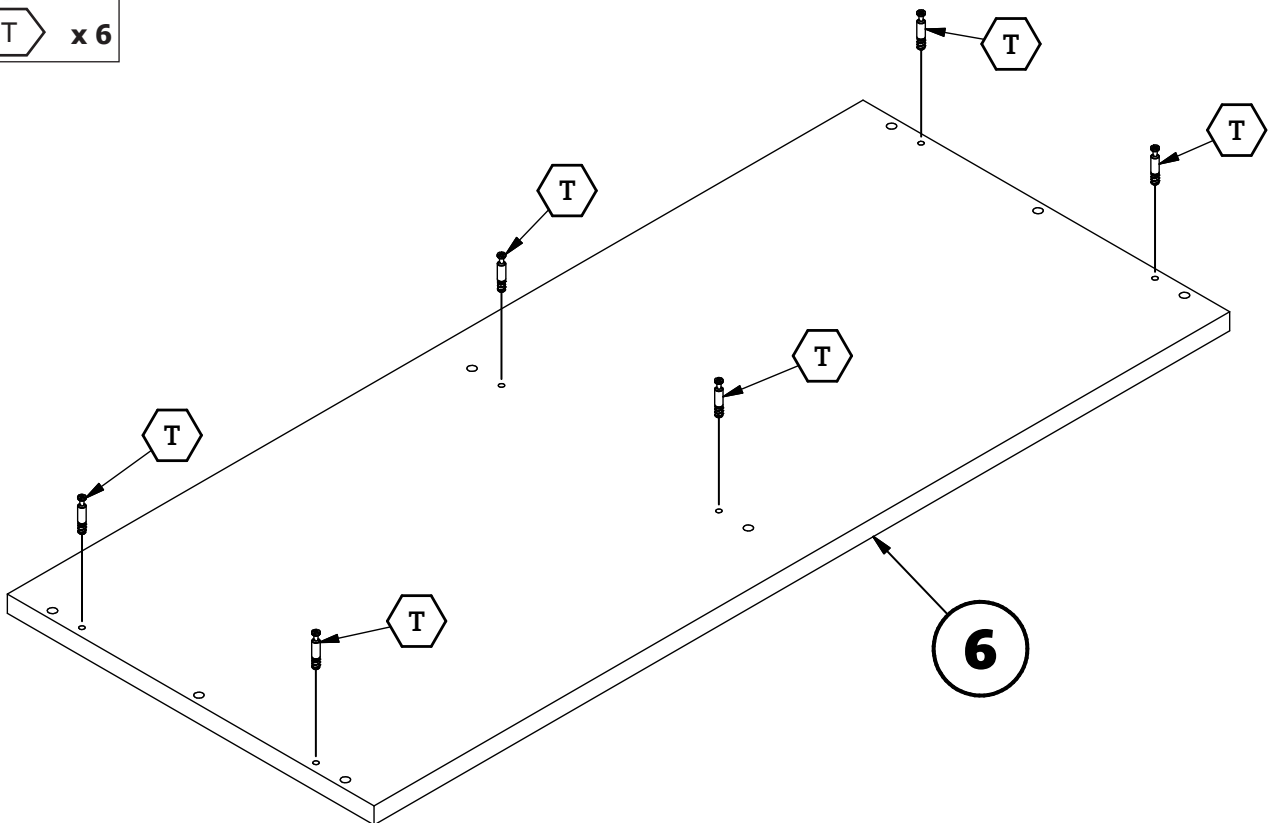
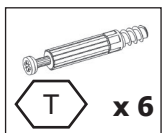
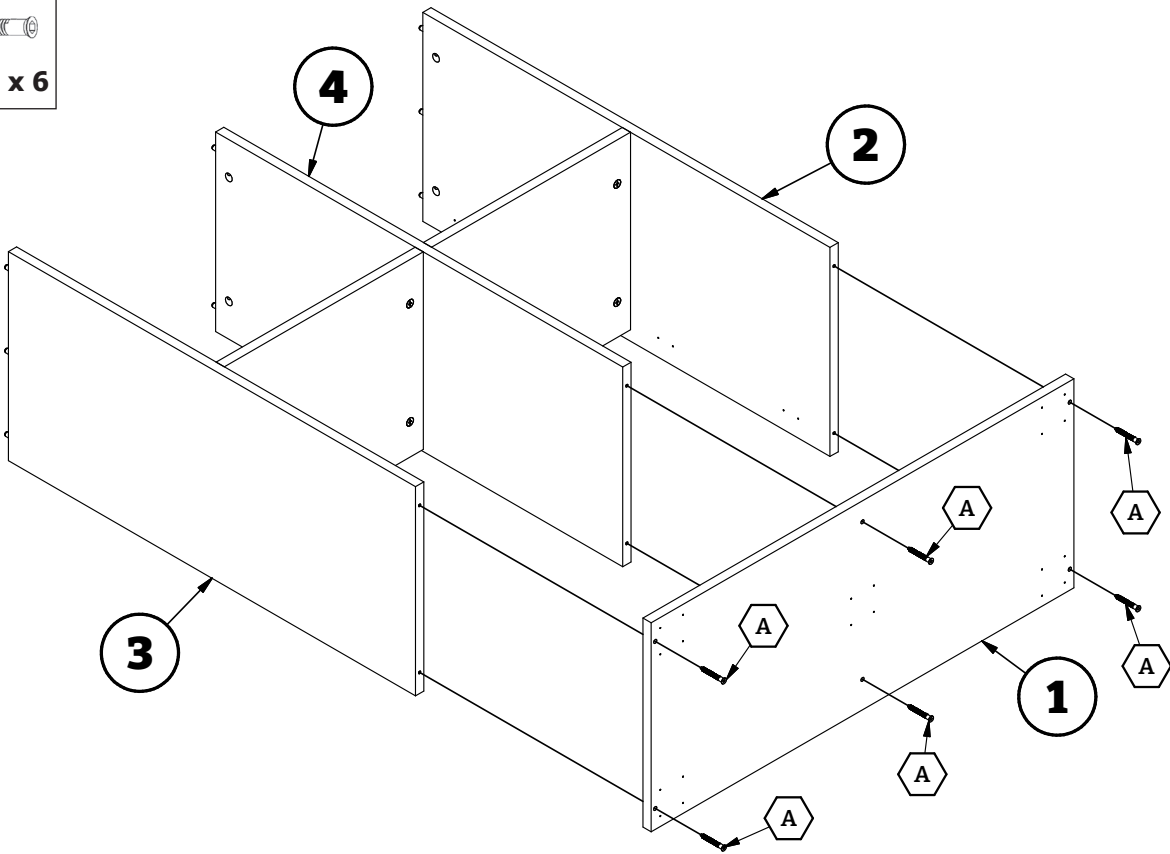
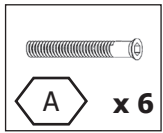


6

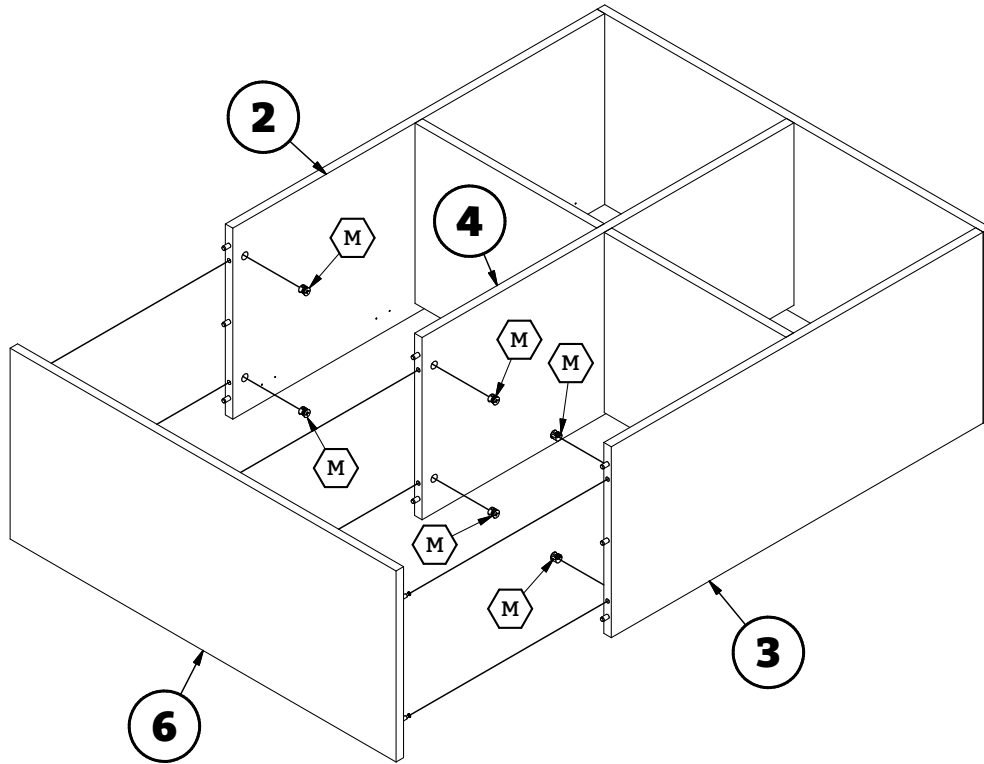
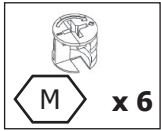


7

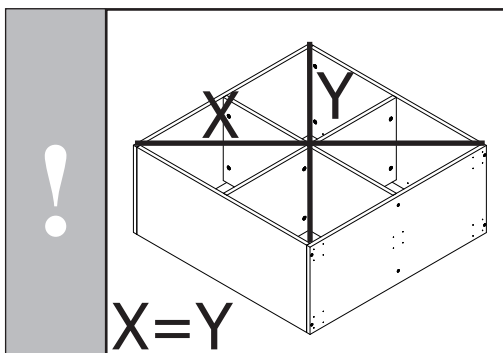
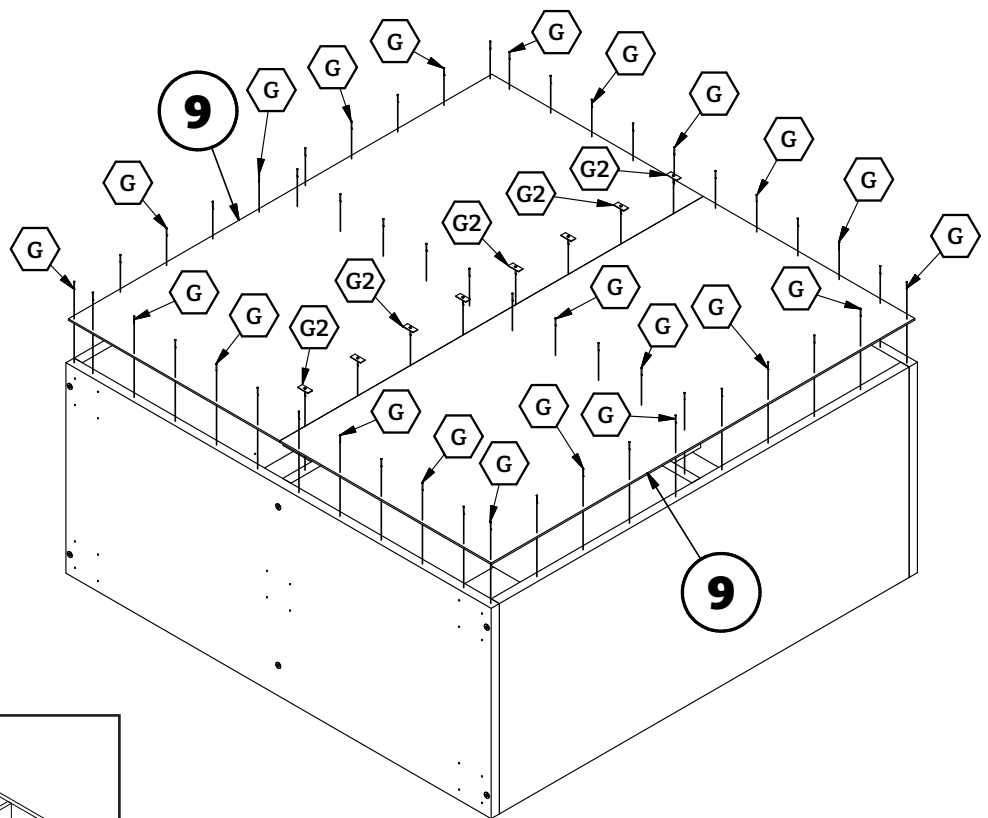
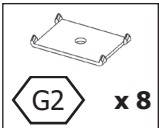
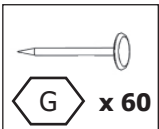




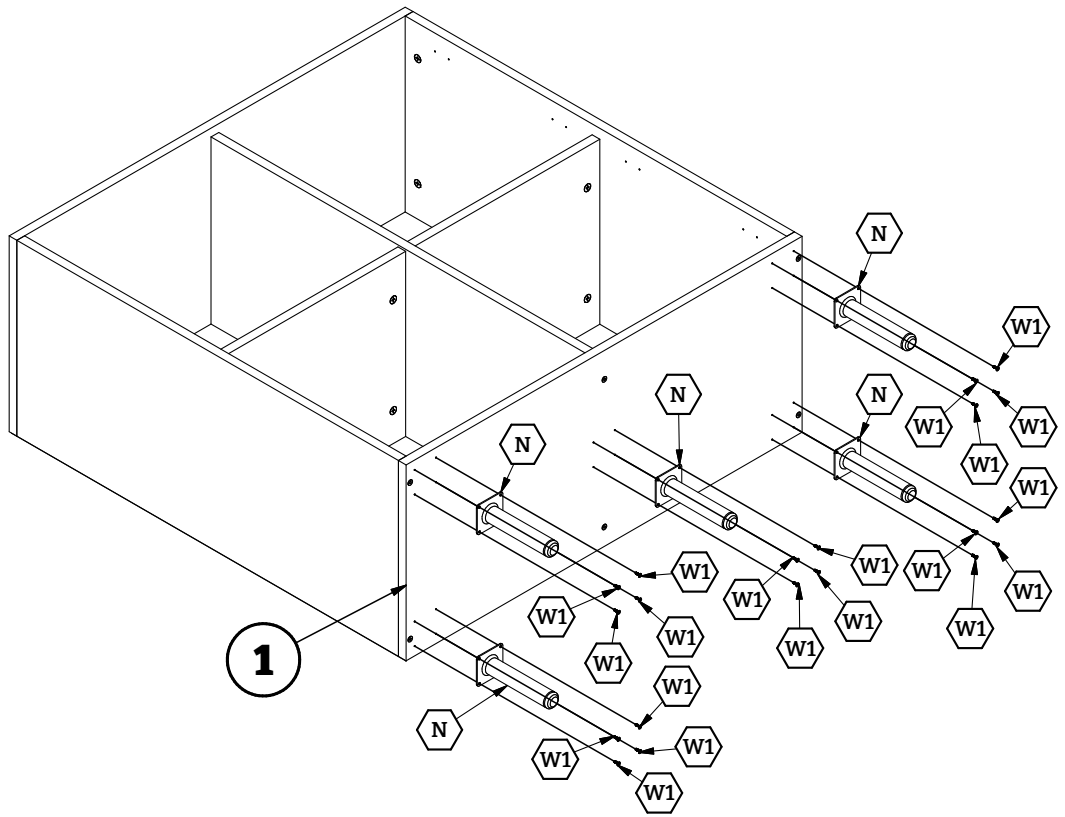
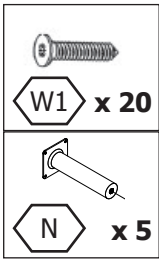
10



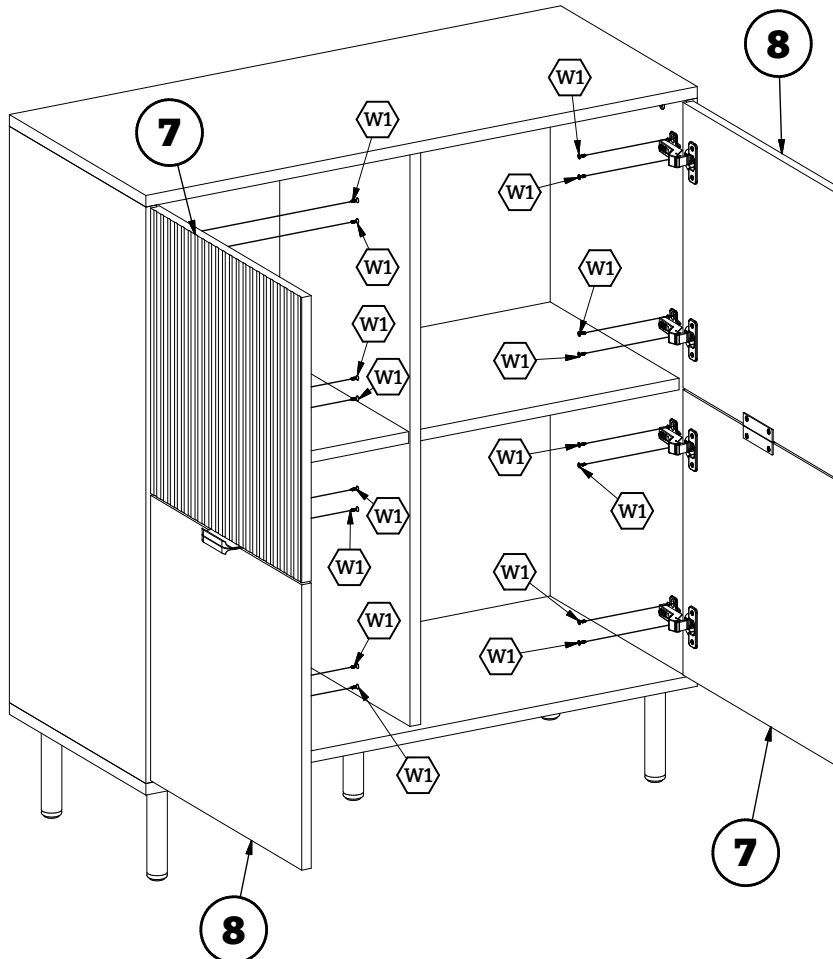
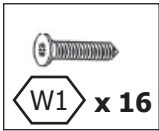
11



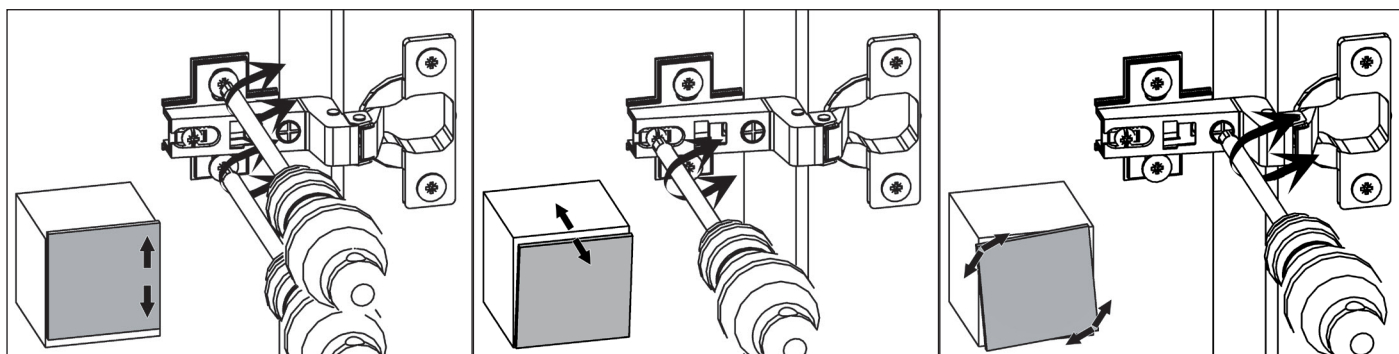
12



13







14

