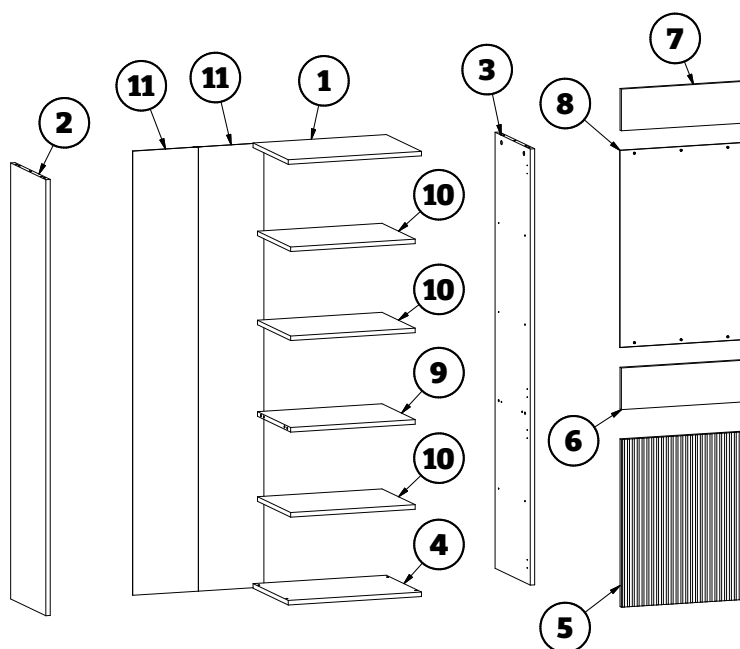
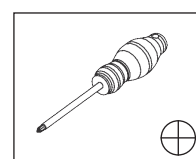
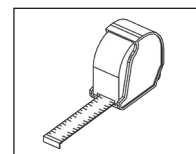
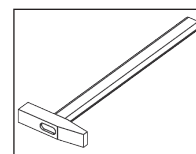
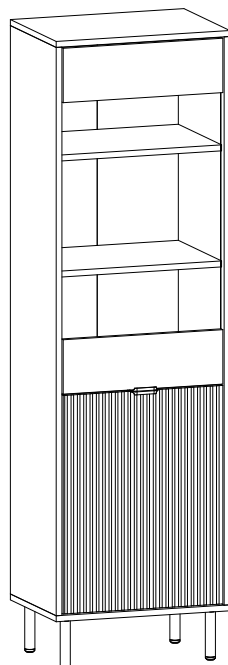


WAVE WITRYNA 1D

(1900x549x403mm)



① **x1** 549x400x18mm

② **x1** 1714x398x18mm

③ **x1** 1714x398x18mm

④ **x1** 547x398x18mm

⑤ **x1** 659x505x16mm

⑥ **x1** 164x505x16mm








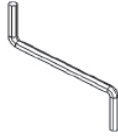




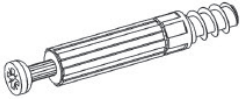



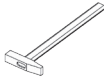

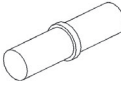




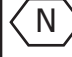
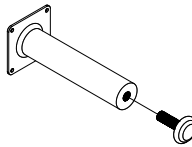


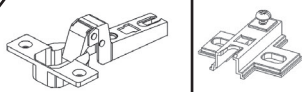







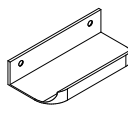



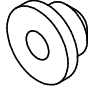


⑦ **x1** 164x505x16mm

⑧ **x1** 770x505x4mm

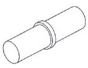





⑨ **x1** 509x379x18mm

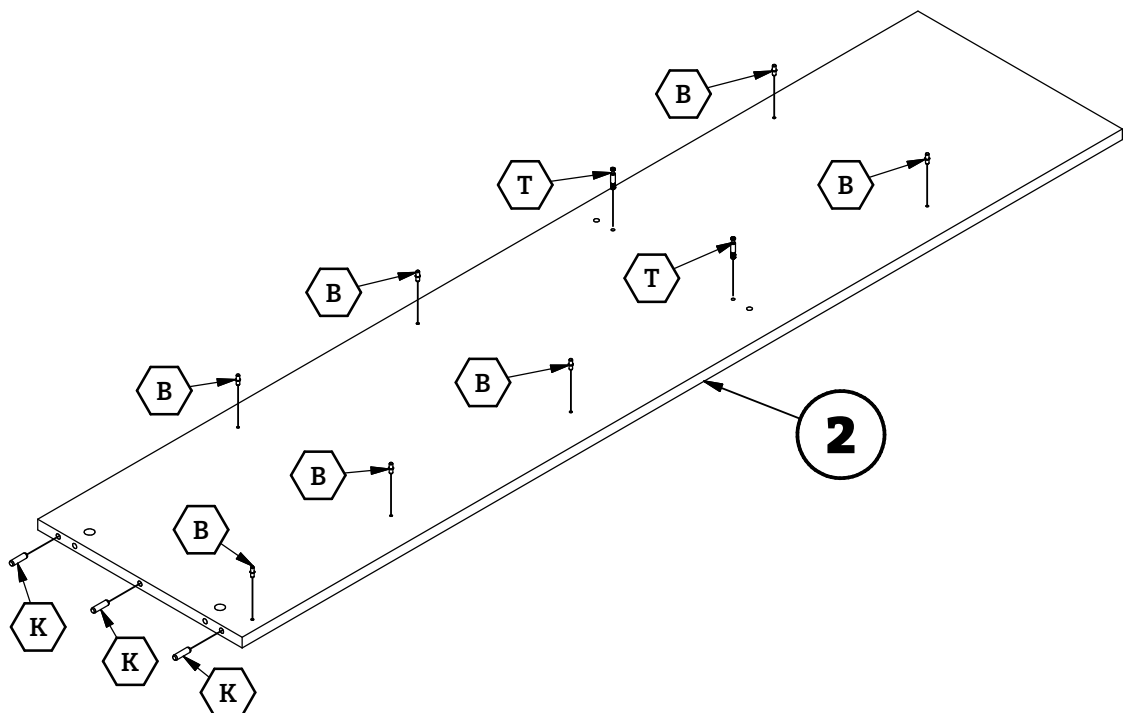
⑩ **x3** 509x370x18mm

⑪ **x2** 1746x270x3mm

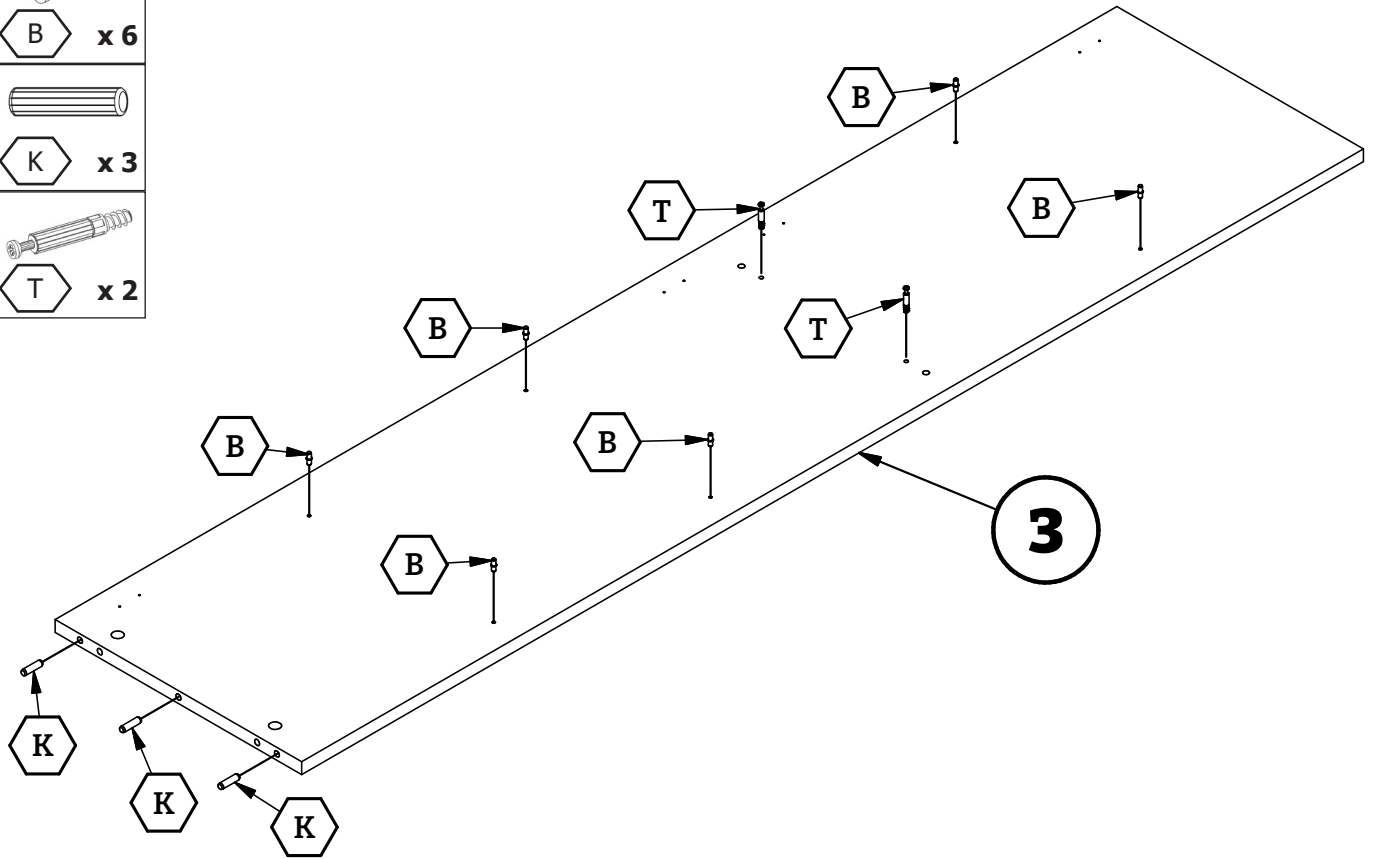
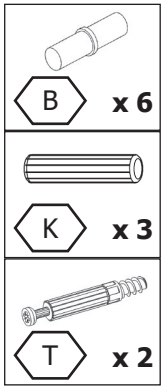
   <p>x 10 $\Phi 8 \times 35 \text{mm}$</p>	   <p>x 24 $\Phi 4 \times 16 \text{mm}$</p>	  <p>x 1</p>
   <p>x 4 7×50</p>	   <p>x 8</p>	   <p>x 50</p>
   <p>x 13</p>	   <p>x 8</p>	   <p>x 4</p>
  <p>x 4</p>	   <p>x 14 $\Phi 3,5 \times 16 \text{mm}$</p>	   <p>x 8</p>
  <p>x 2</p>	  <p>x 4 $\Phi 3 \times 12 \text{mm}$</p>	  <p>x 6</p>
  <p>x 1</p>		

1

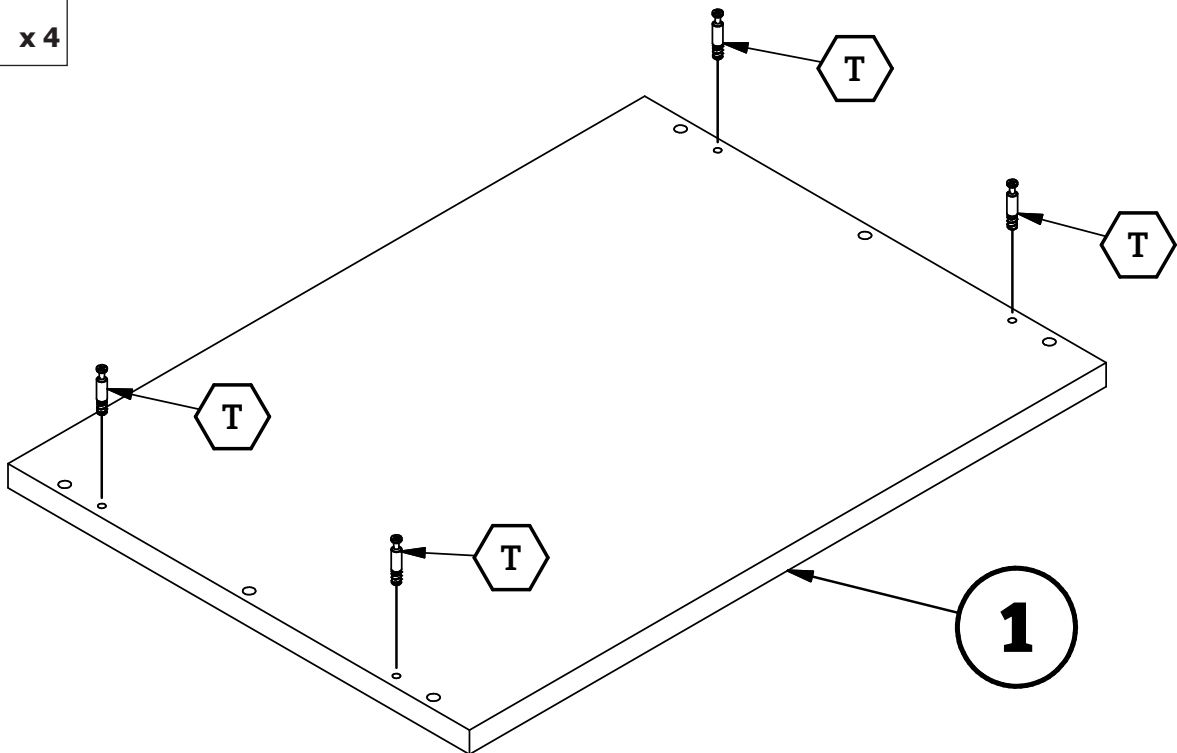
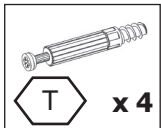
		x 7
		x 3
		x 2



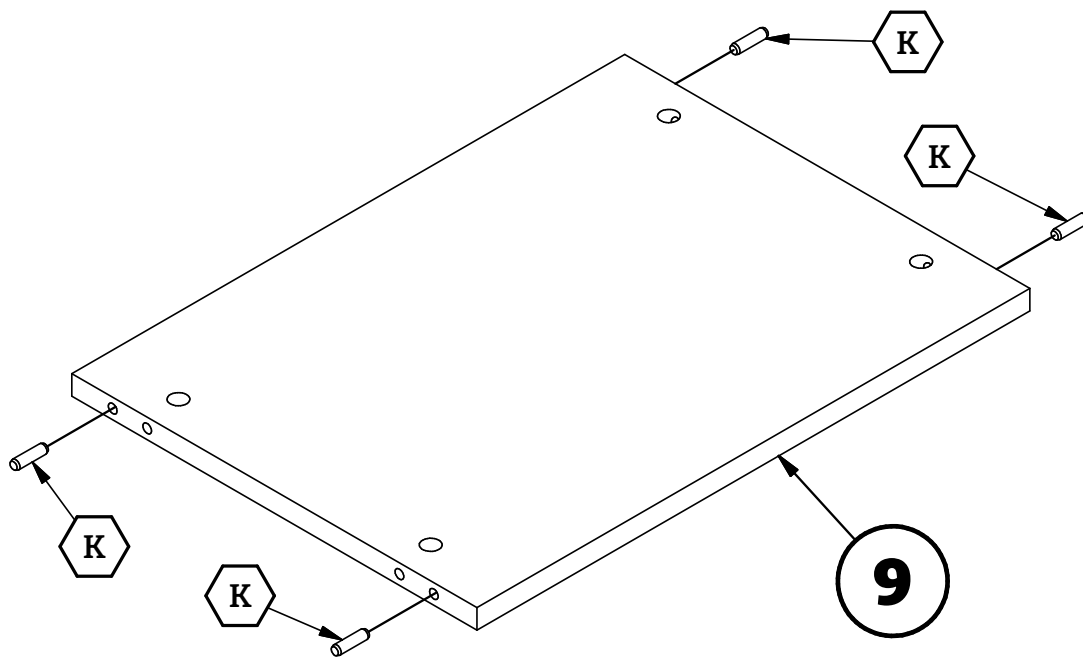
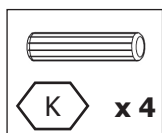
2



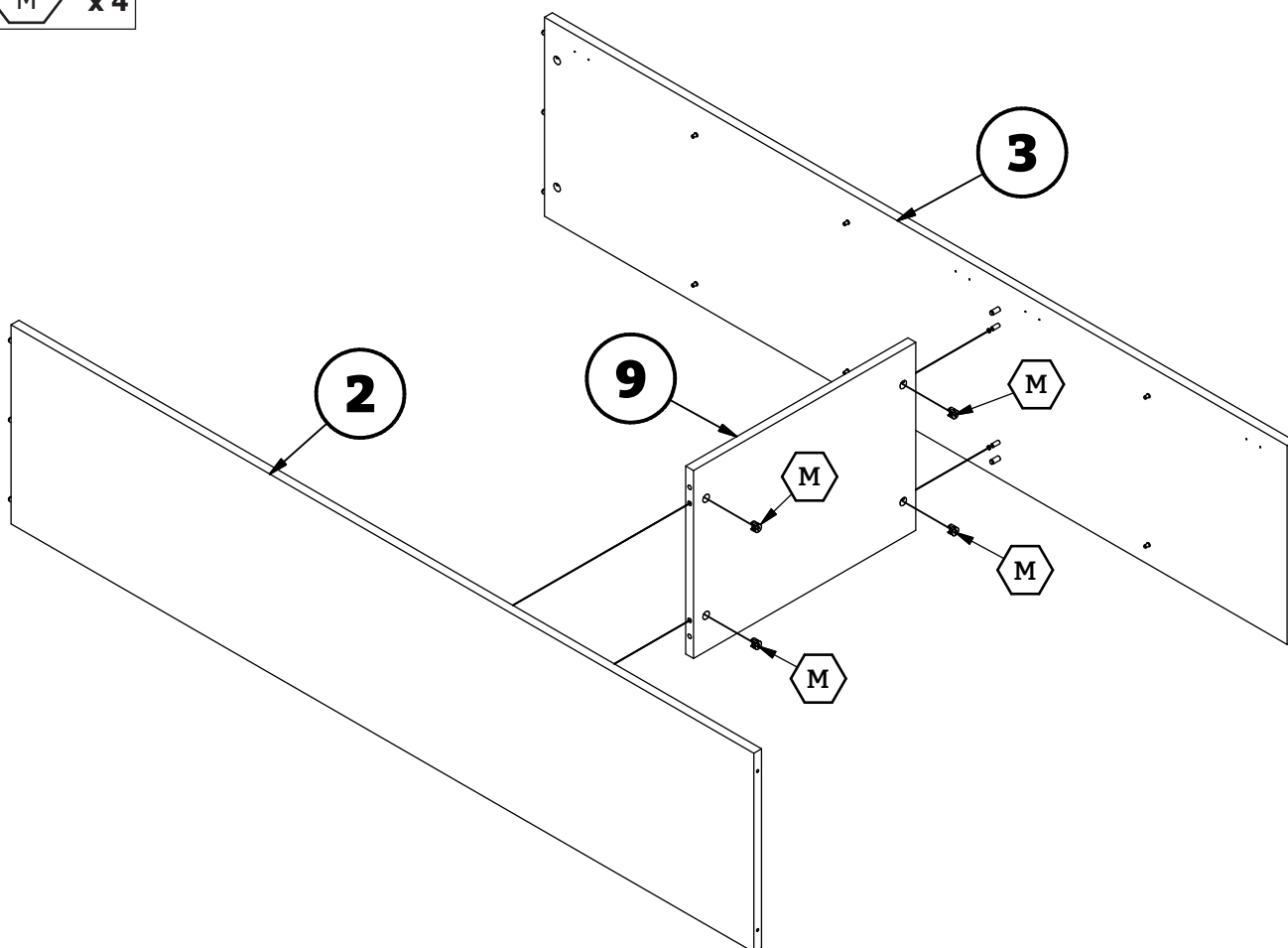
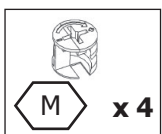
3



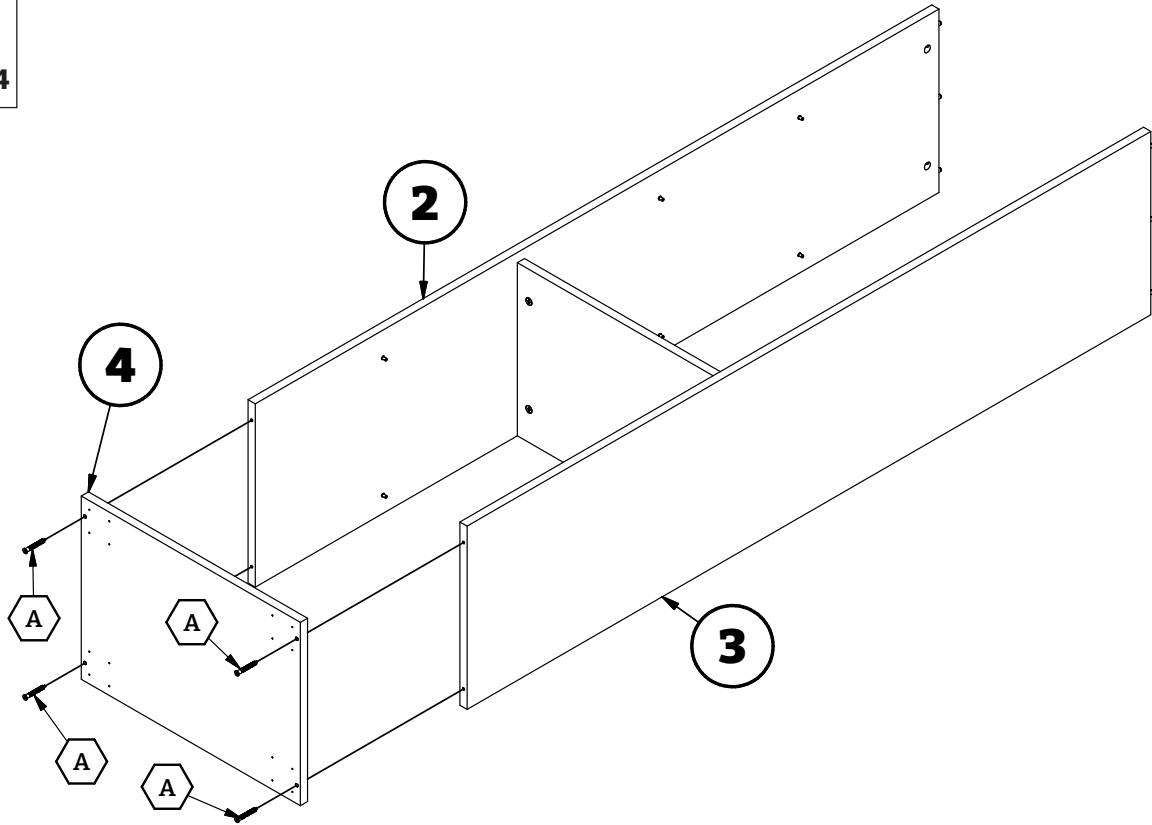
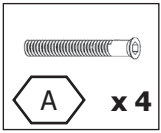
4



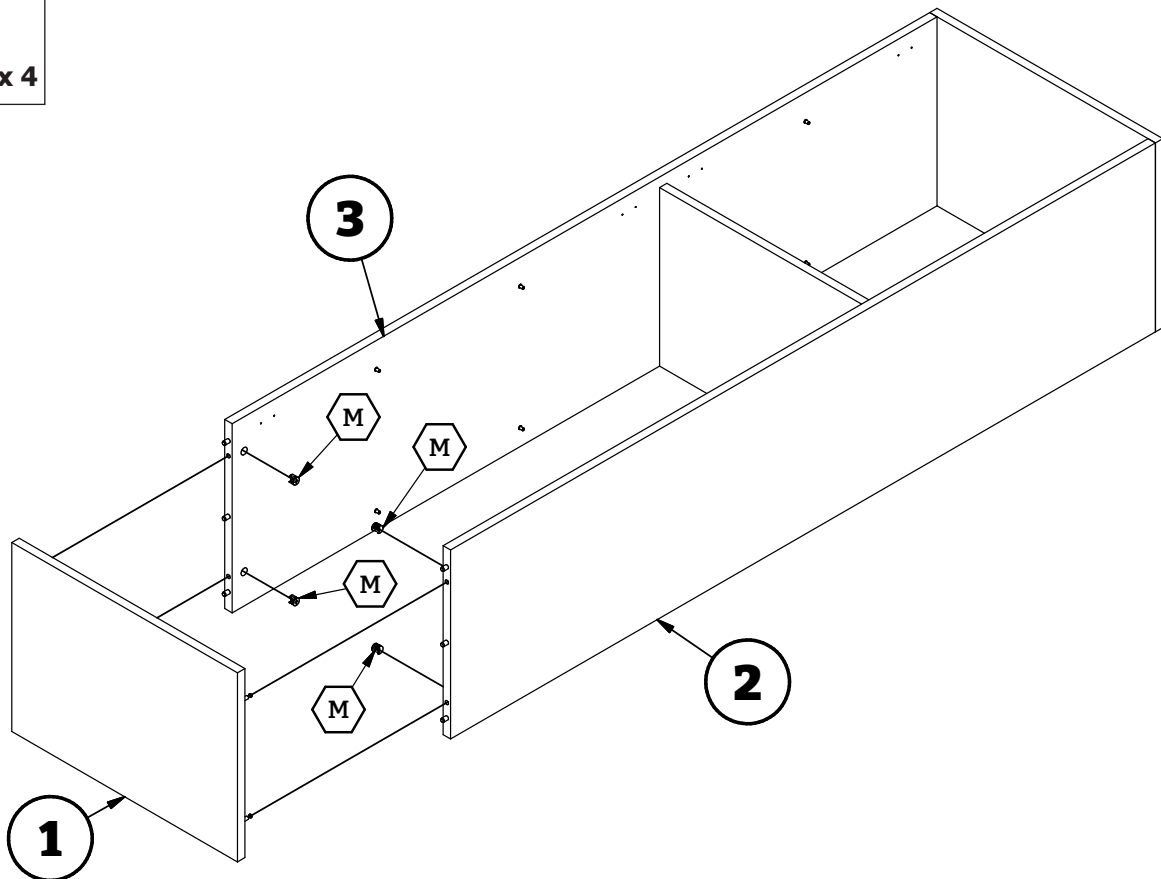
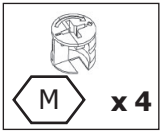
5



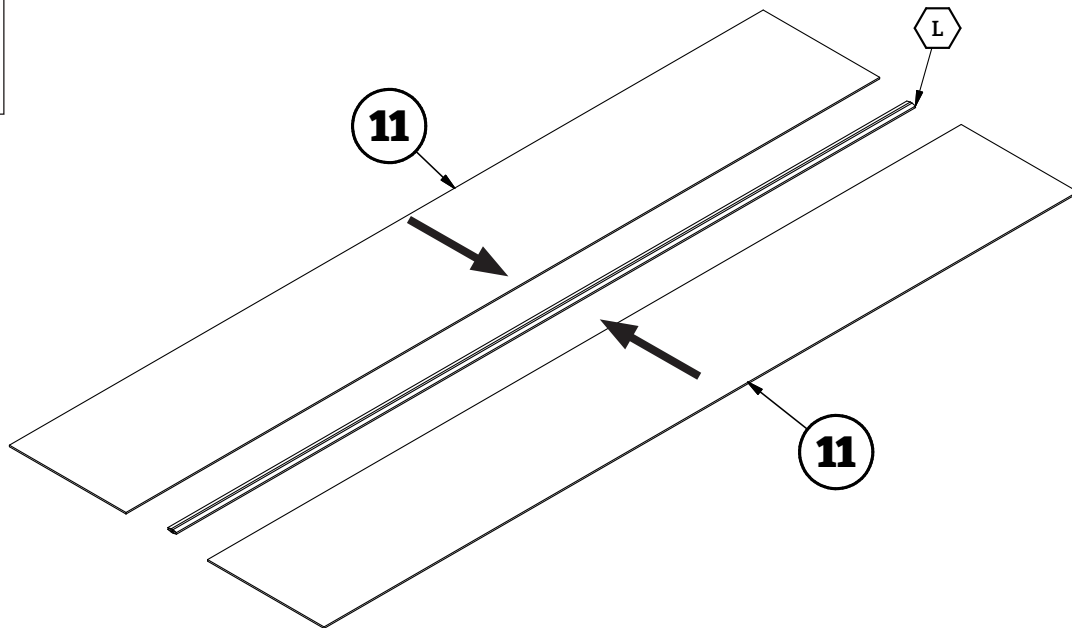
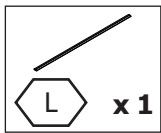
6



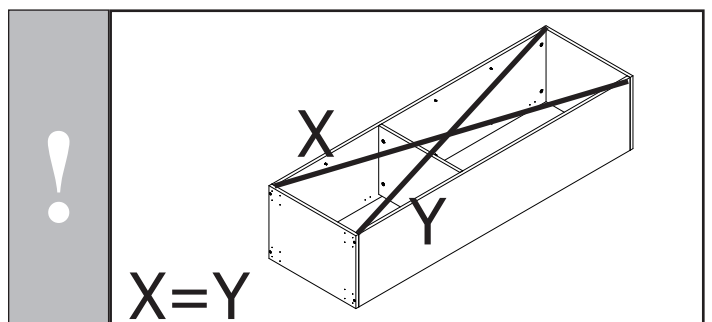
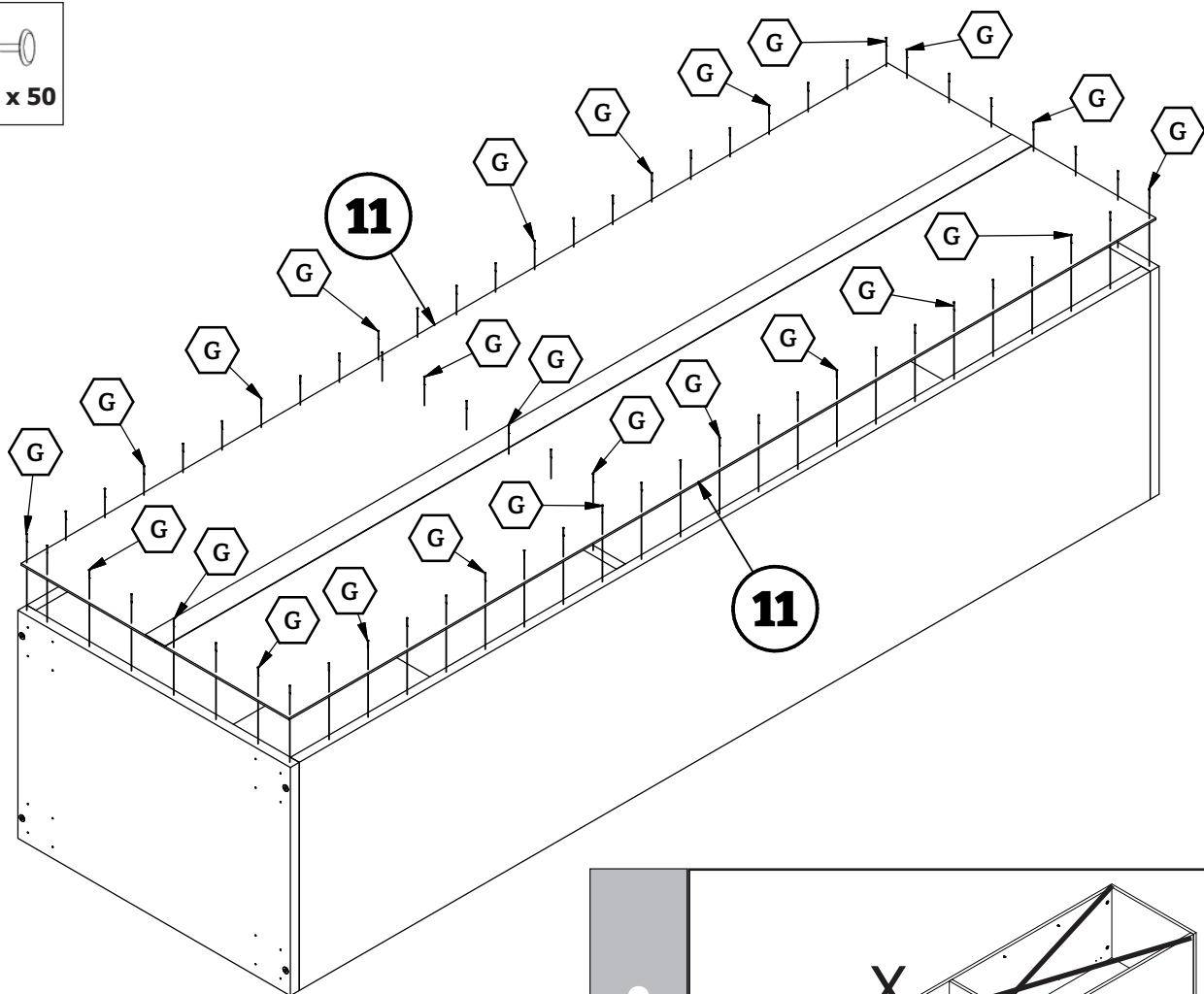
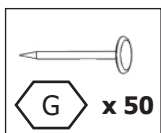
7



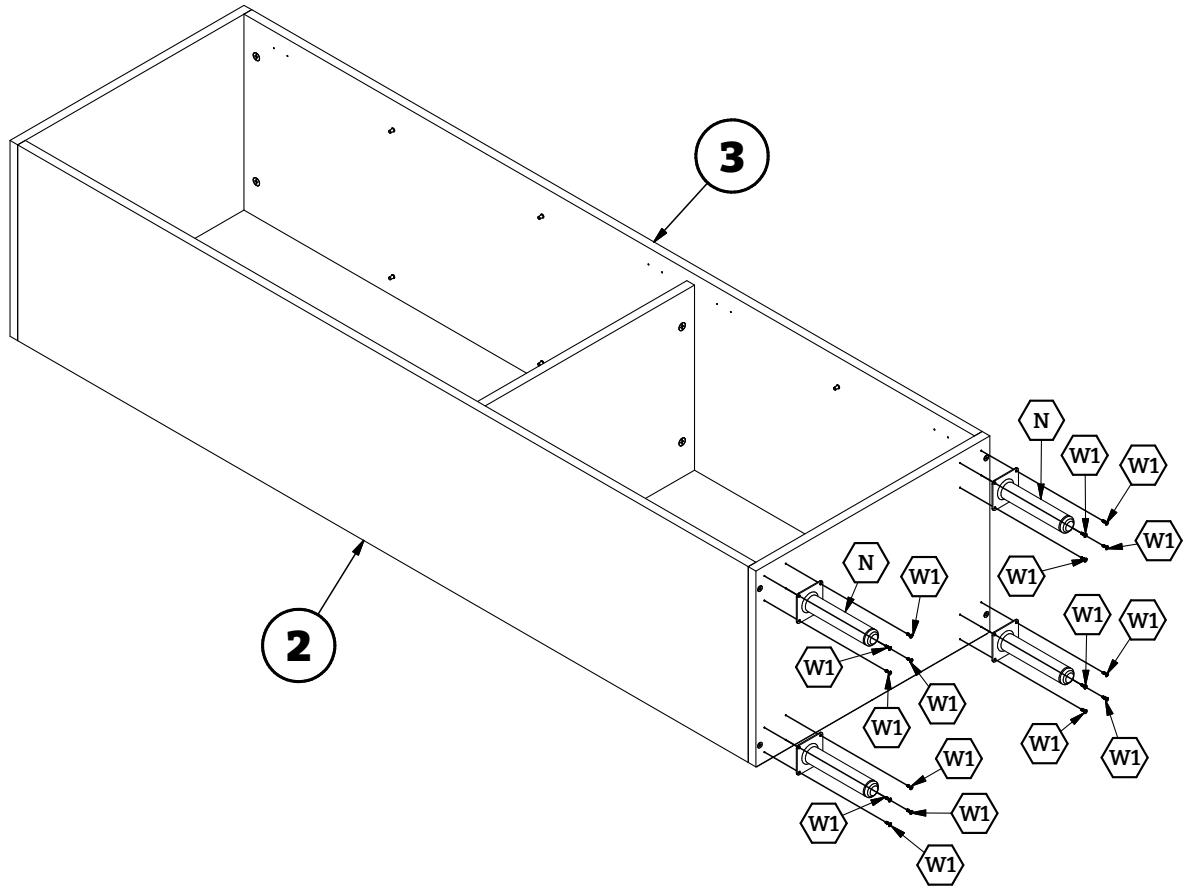
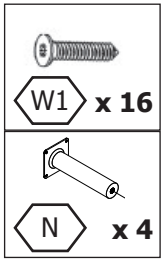
8



9



10



11

