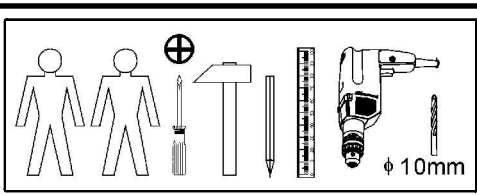
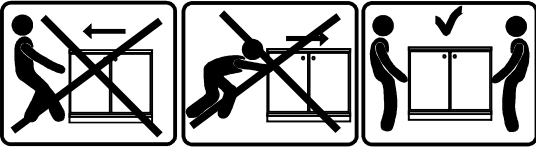
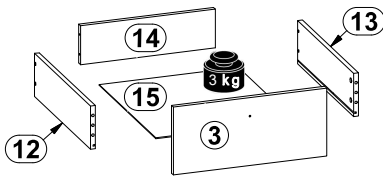
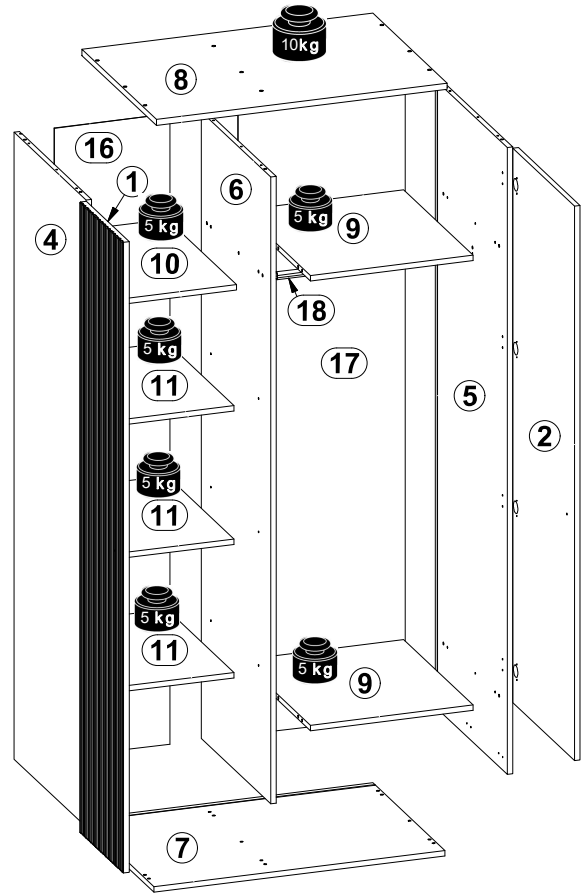
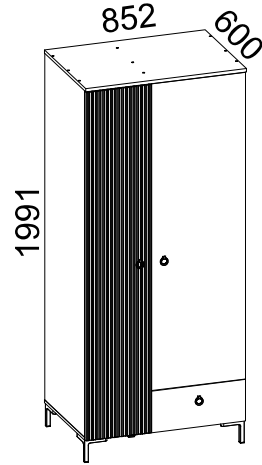
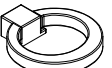
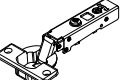


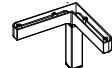




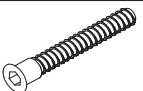
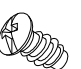


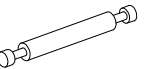
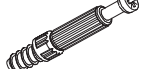


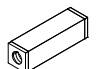

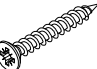



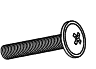
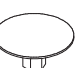
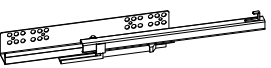
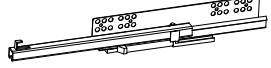


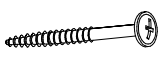


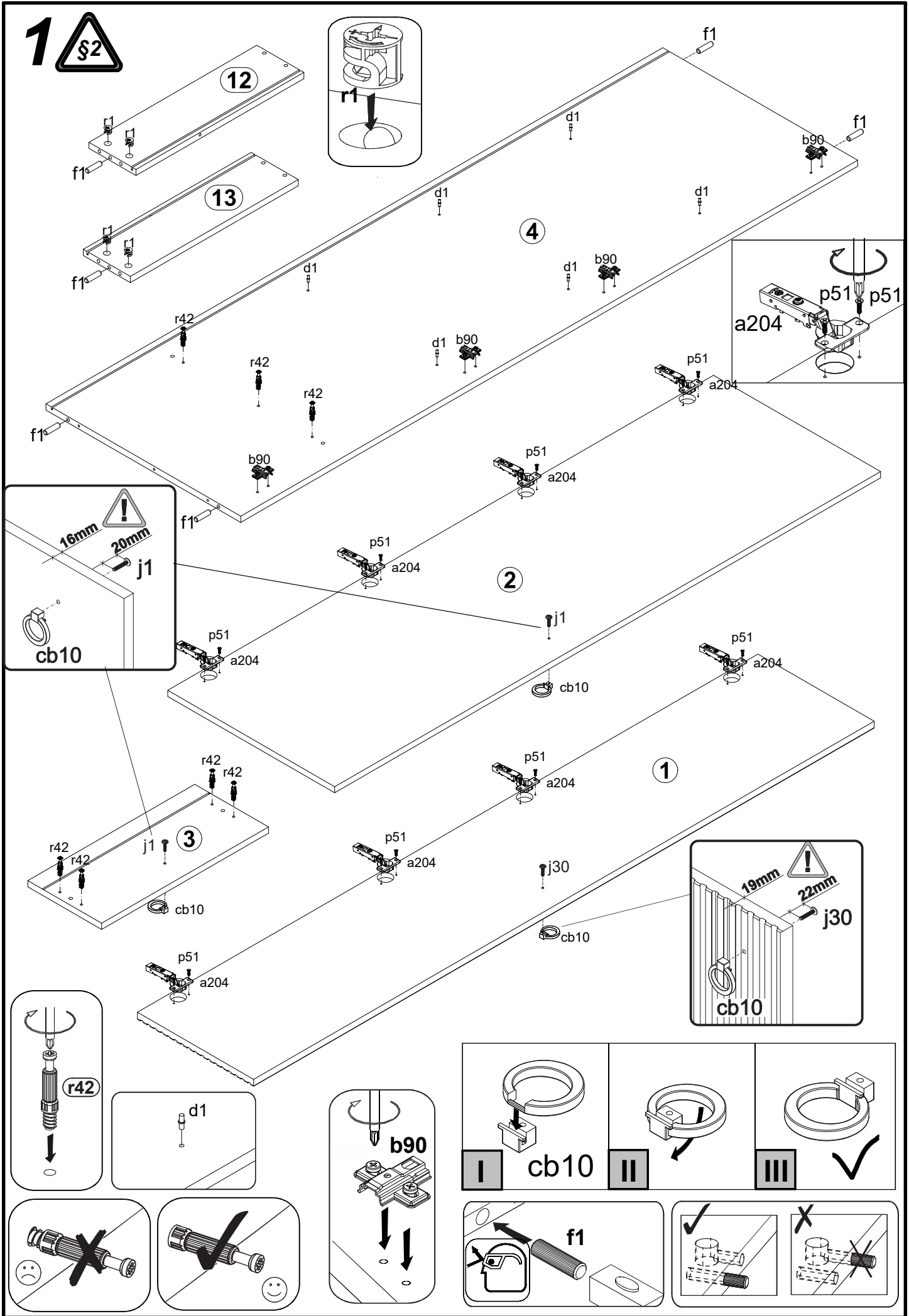
DOMENICA

SZF2D1S

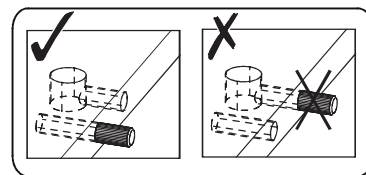
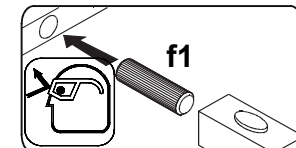
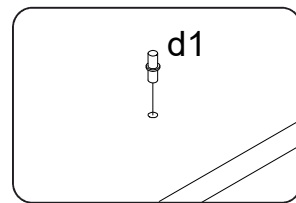
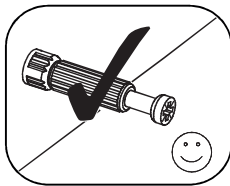
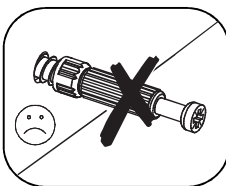
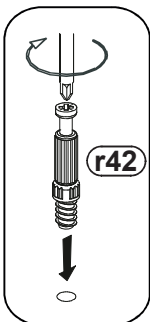
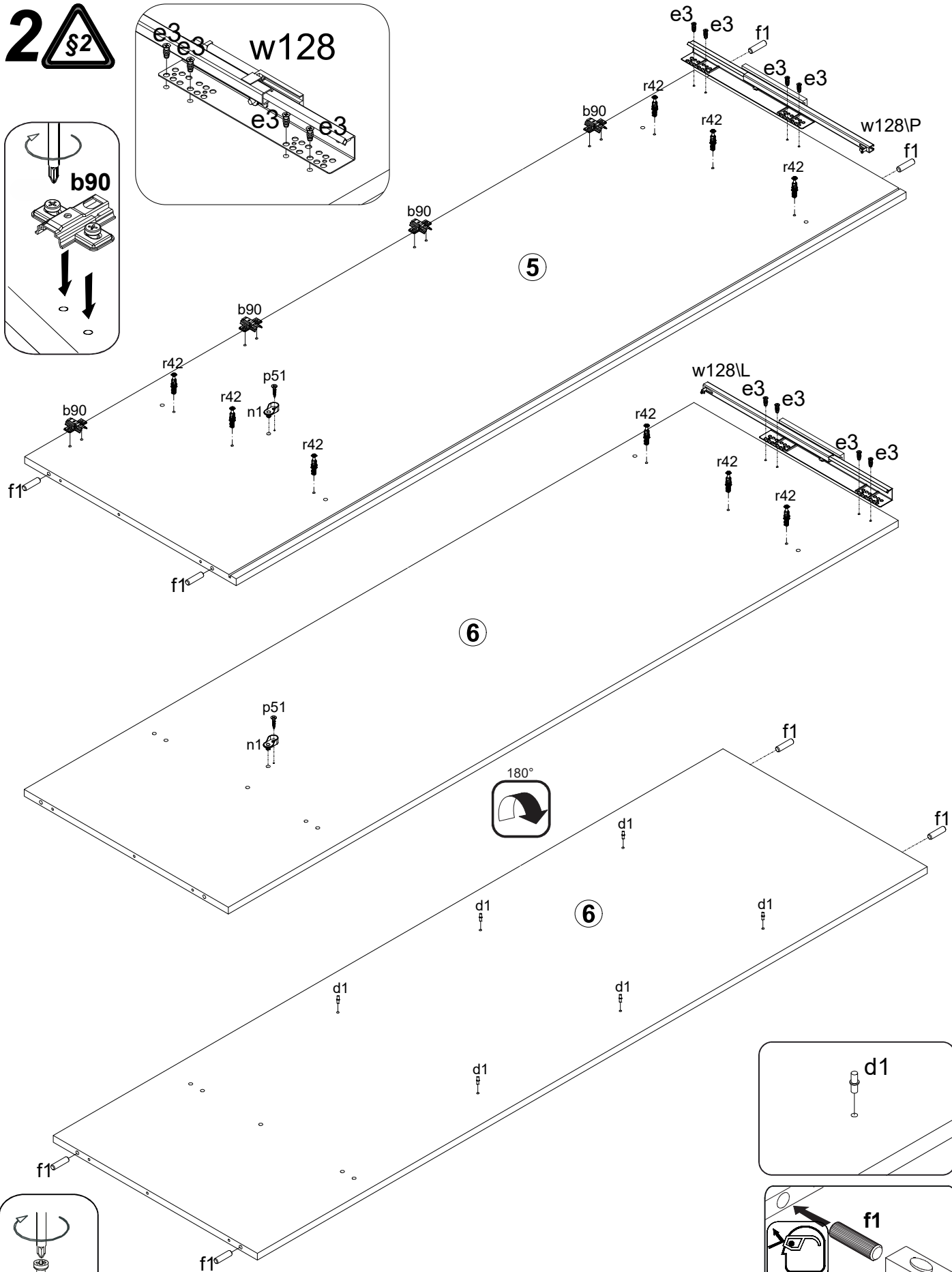
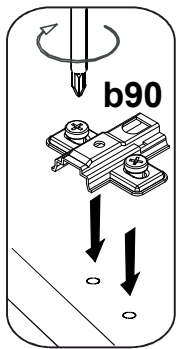
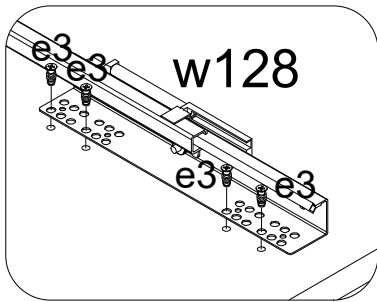
A	B	C			D	E
1	B202-0073	1848	346	19	1	3/4
2	B202-0074	1625	497	16	1	3/4
3	B202-0075	220	497	16	1	3/4
4	B202-1082	1837	580	16	1	2/4
5	B202-1083	1837	580	16	1	2/4
6	B202-1084	1837	560	16	1	2/4
7	B202-2039	852	580	16	1	1/4
8	B202-2059	852	600	18	1	1/4
9	B202-3025	477	560	16	2	1/4
10	B202-3026	325	560	16	1	1/4
11	B202-3027	324	540	16	3	1/4
12	B202-5066	500	140	16	1	3/4
13	B202-5067	500	140	16	1	3/4
14	B202-5070	437	126	16	1	1/4
15	B202-9034	451	505	2,5	1	1/4
16	B202-9044	1847	338	2,5	1	3/4
17	B202-9045	1847	490	2,5	1	3/4
18	dr-471	471	22	15	1	1/4
-	Фурнитура / Accessories				1	4/4



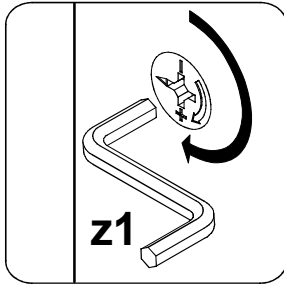
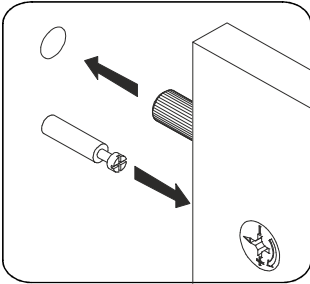
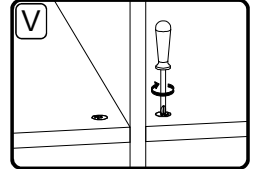
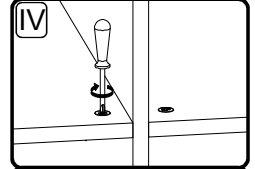
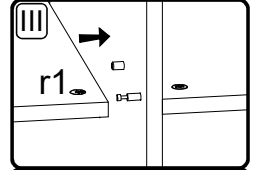
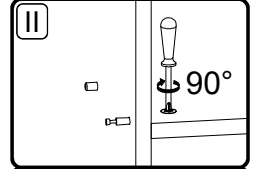
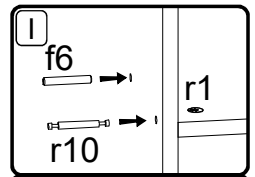
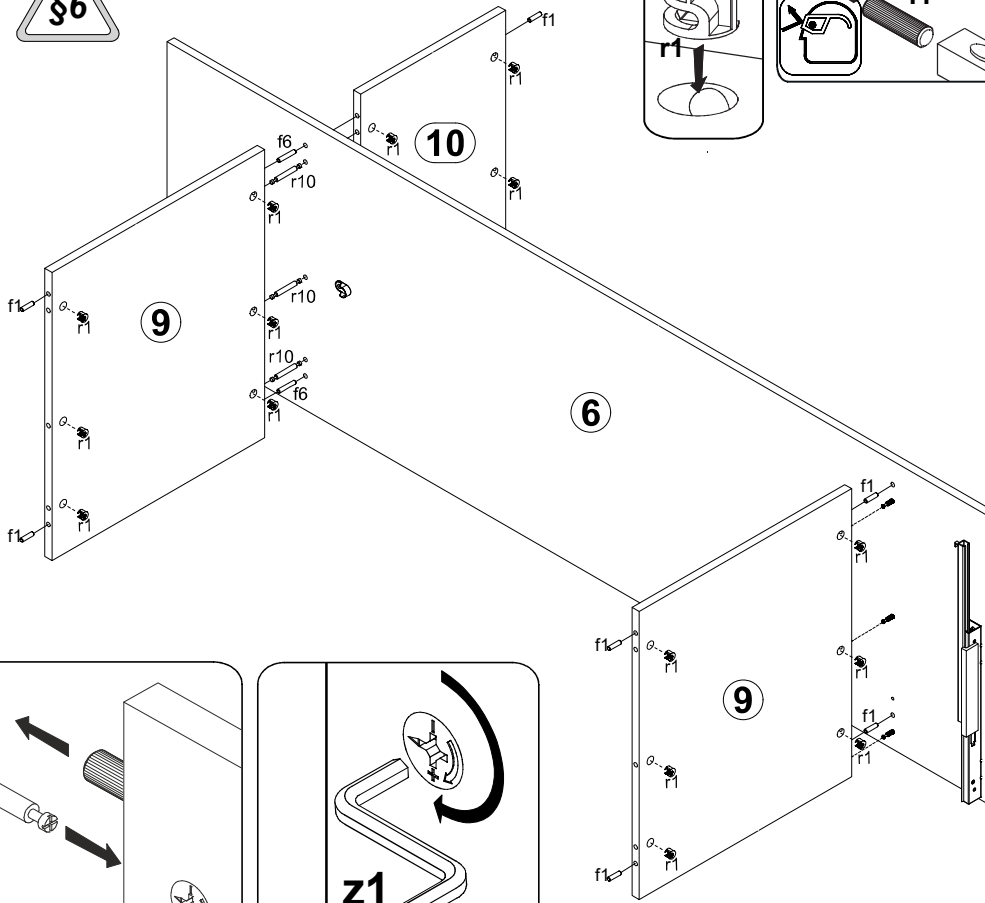
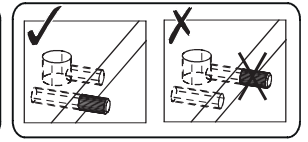
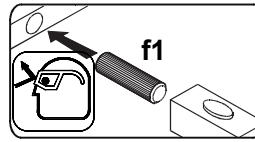
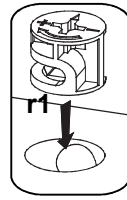
 cb10 x3	 a204 x8	 b90 x8	 D5mm d1 x12	 k112/2 x4	 Ø8x30 mm f1 x22	 Ø8x50 mm f6 x2	 20x13x3,51mm n108 x10
 l2 x28	 30x30/116mm e1 x22	 6,3x13mm e2 x1	 6x13mm e3 x8	 Ø15x12 mm #16 r1 x22	 Ø3,5x15mm r10 x3	 20/11 r42 x16	 M4x20mm n1 x2
 Ø16 n26 x1	 L-500mm k38\7 x1	 42,5x42,5/4mm k38\3 x1	 Ø4,0x30 mm p21 x16	 Ø3,5x16mm p38 x29	 Ø3,5x15mm p51 x18	 M4x22mm j30 x1	 M4x20mm j1 x2
 s2 x16	 L-500mm w128/L x1		 L-500mm w128/P x1		 z1 x1	 10x50mm f35 x1	 Ø5x50mm p17 x1



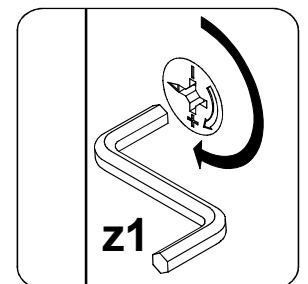
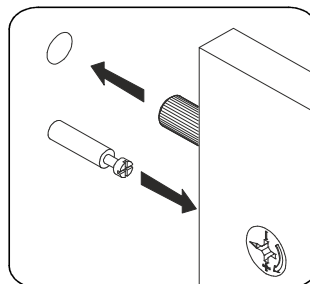
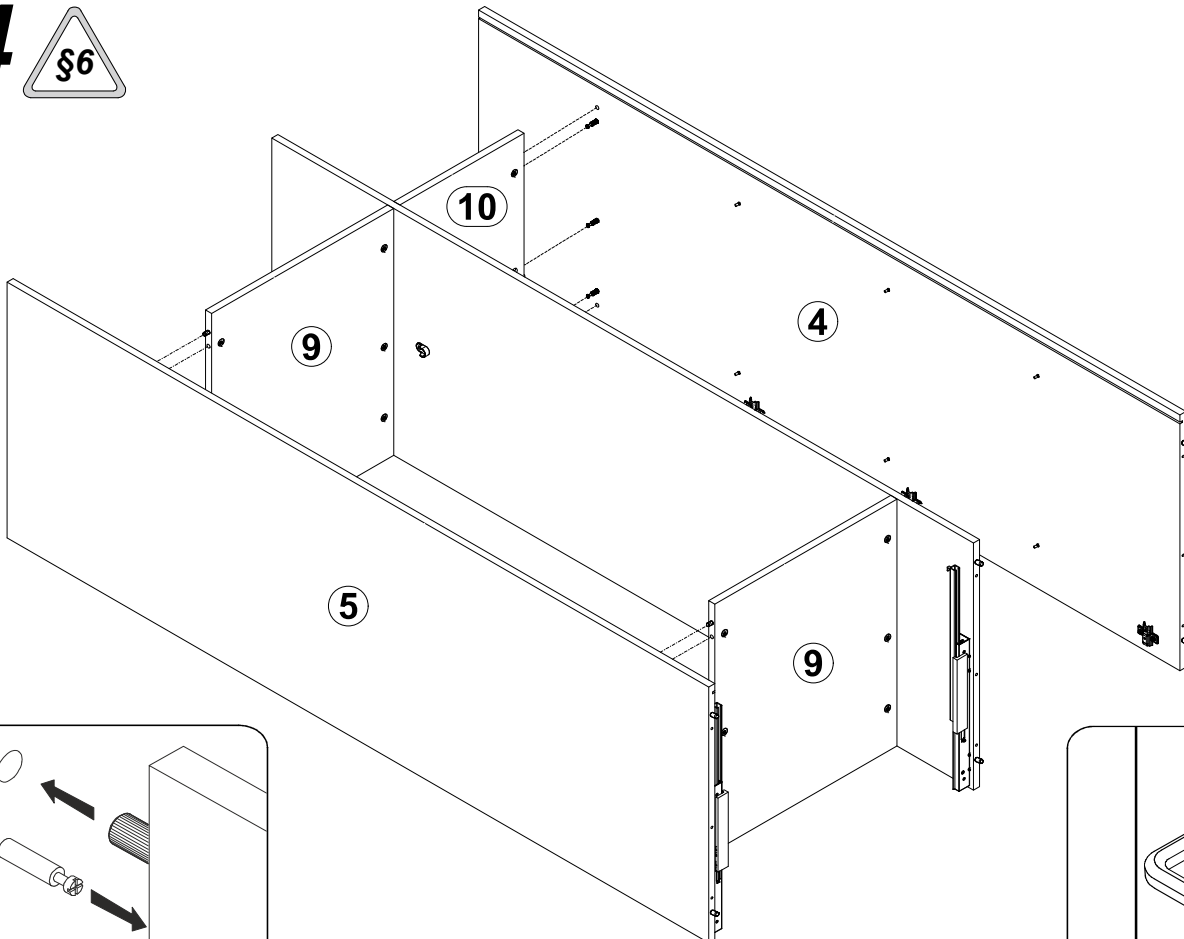
2 



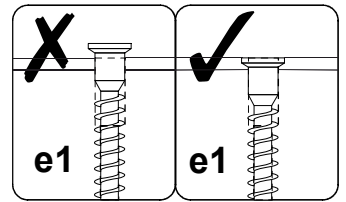
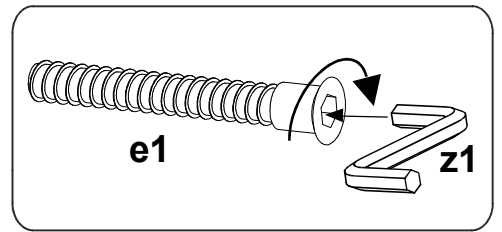
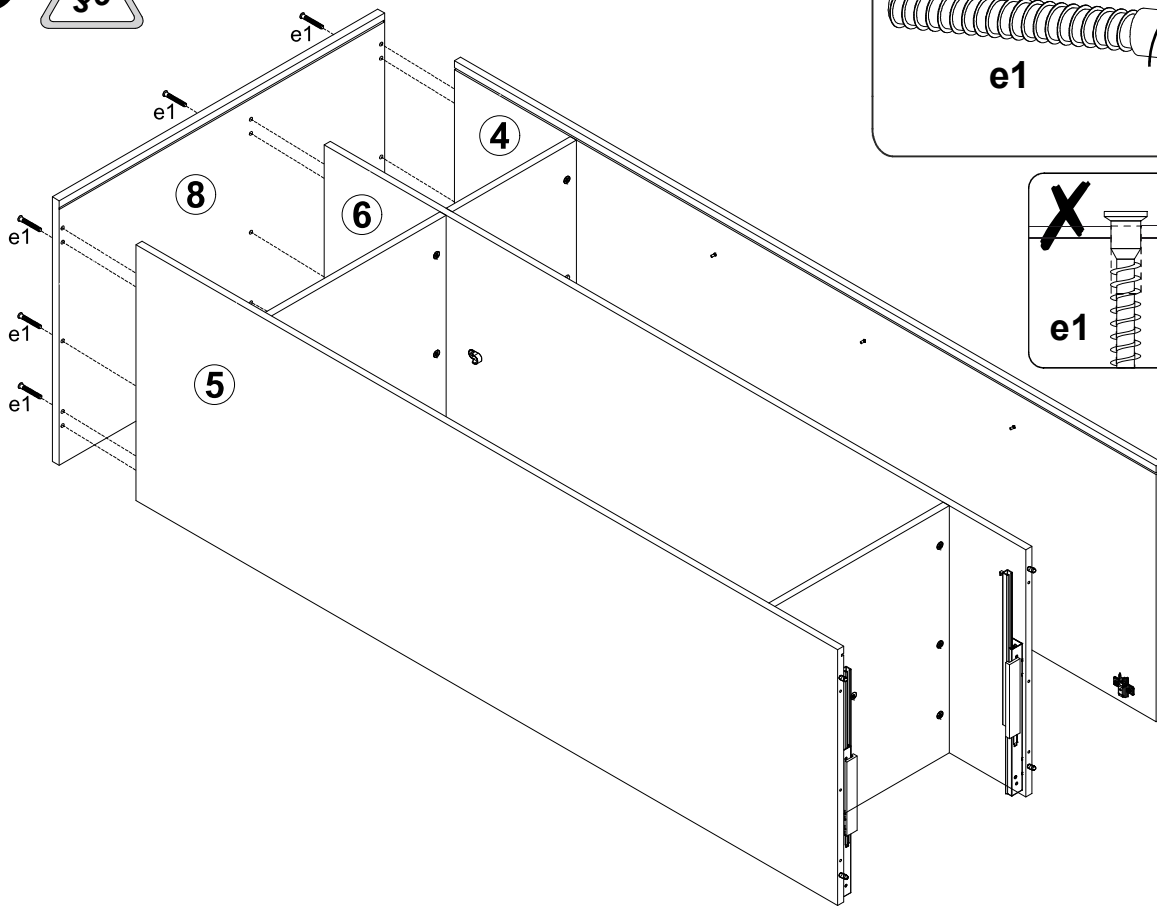
3



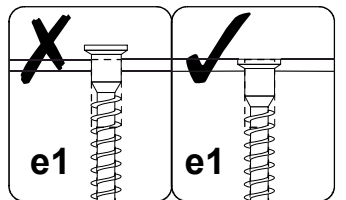
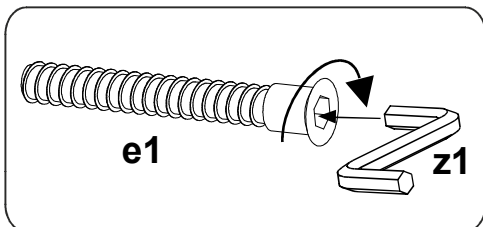
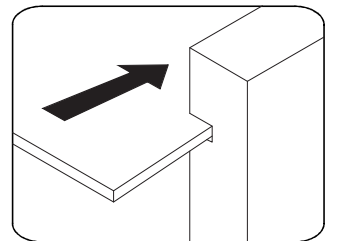
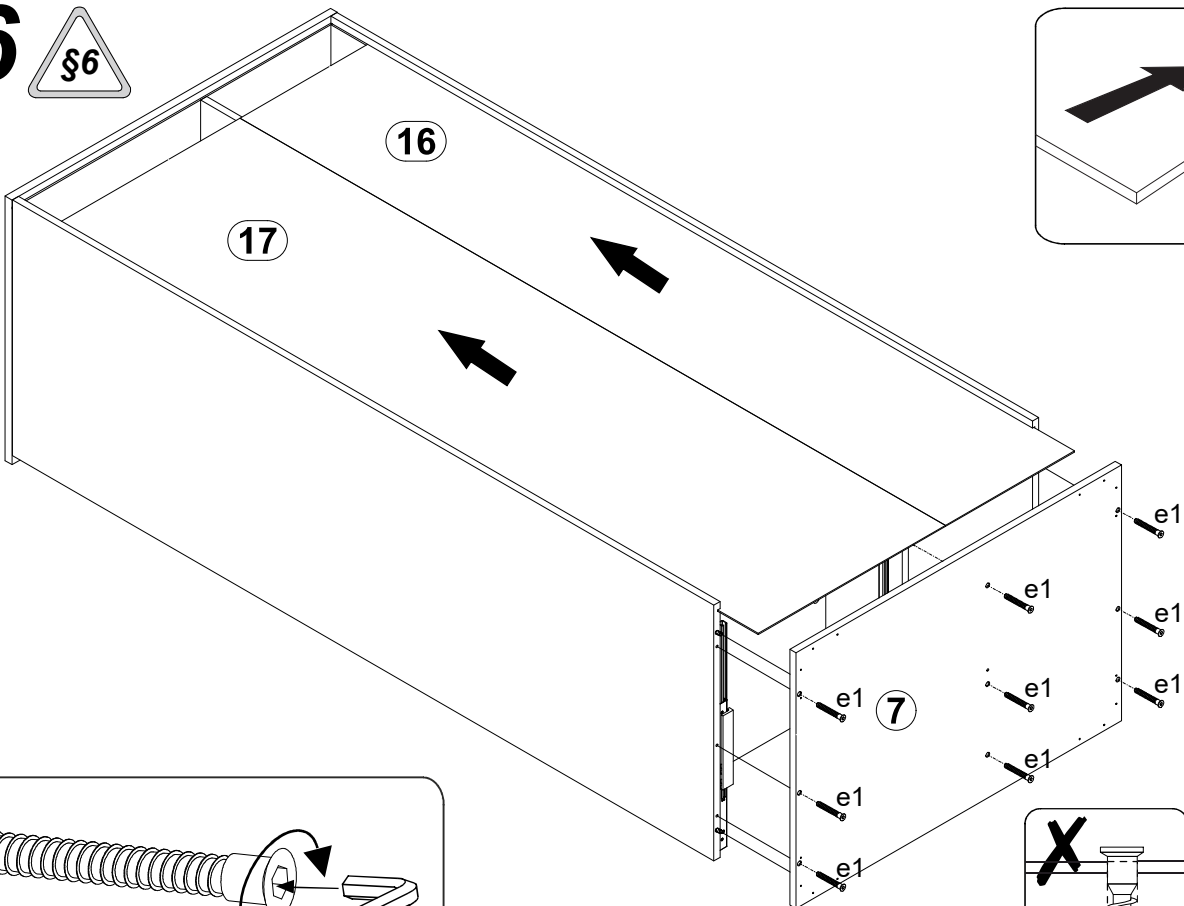
4



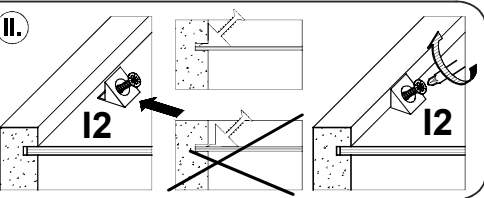
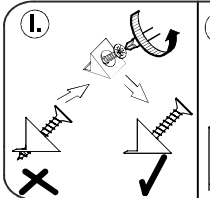
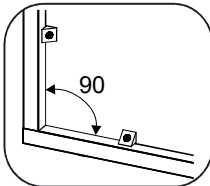
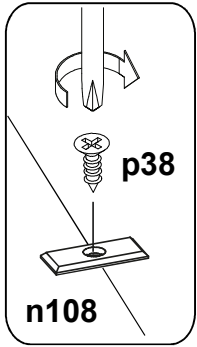
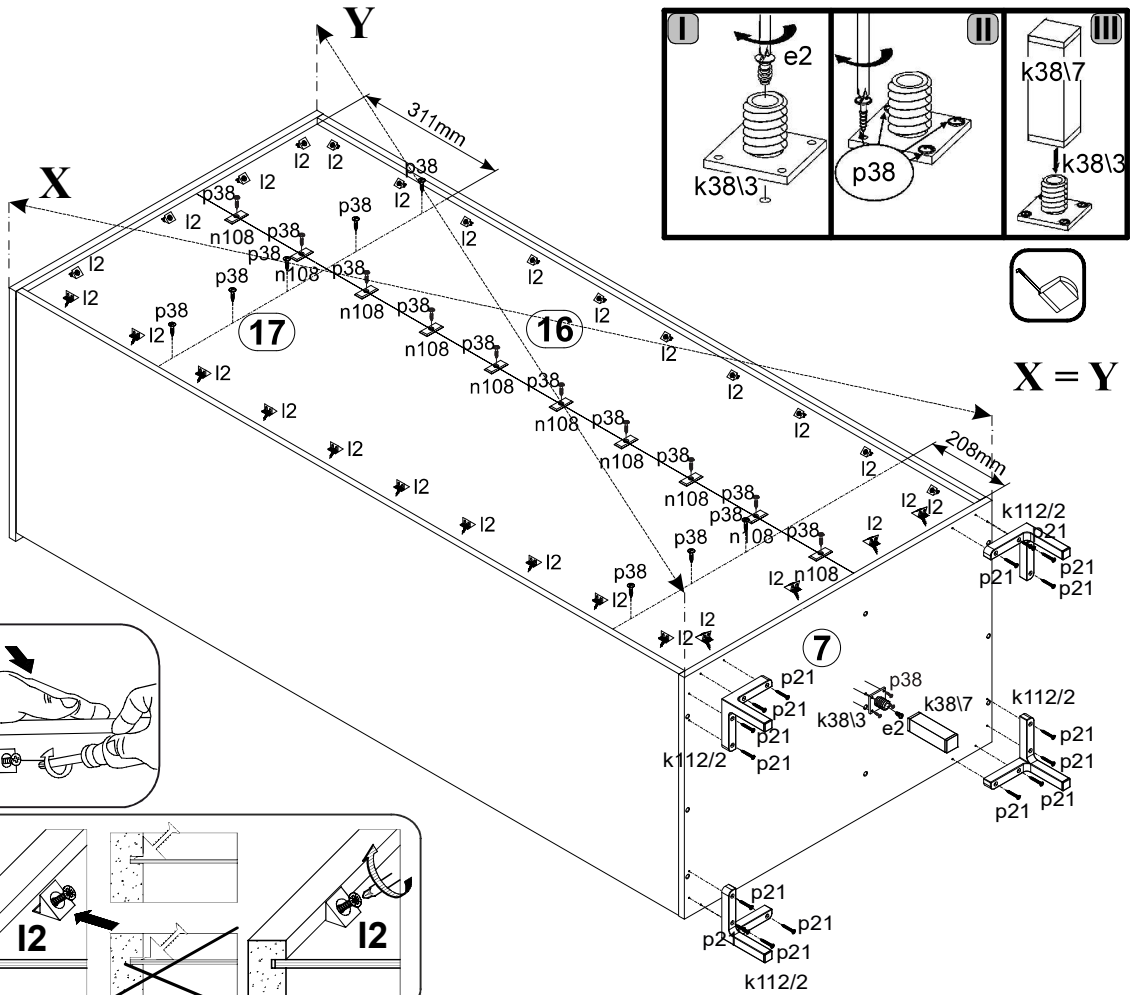
5



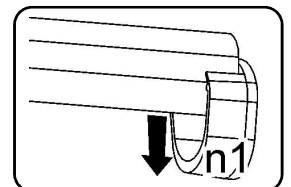
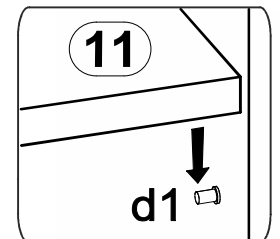
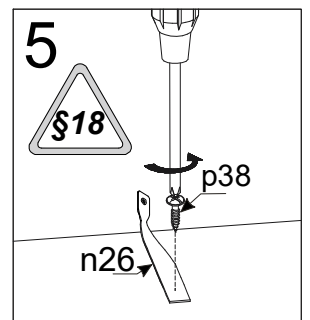
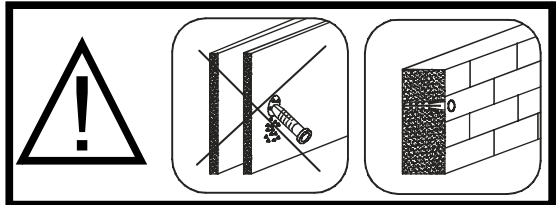
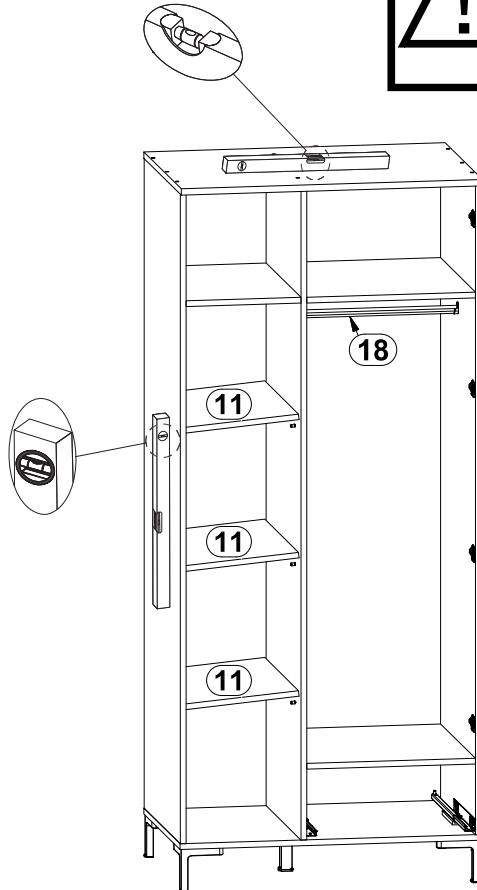
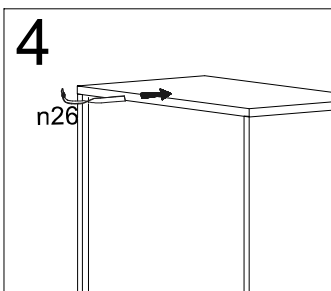
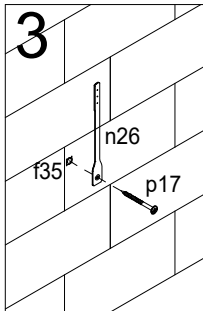
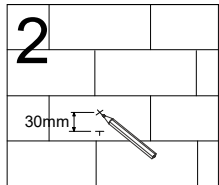
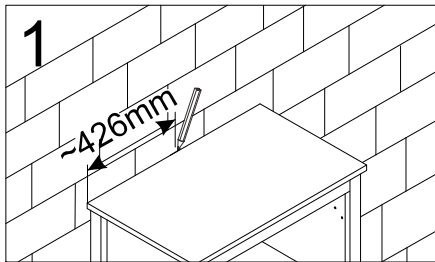
6



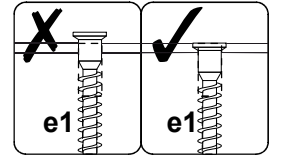
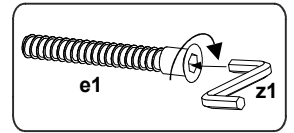
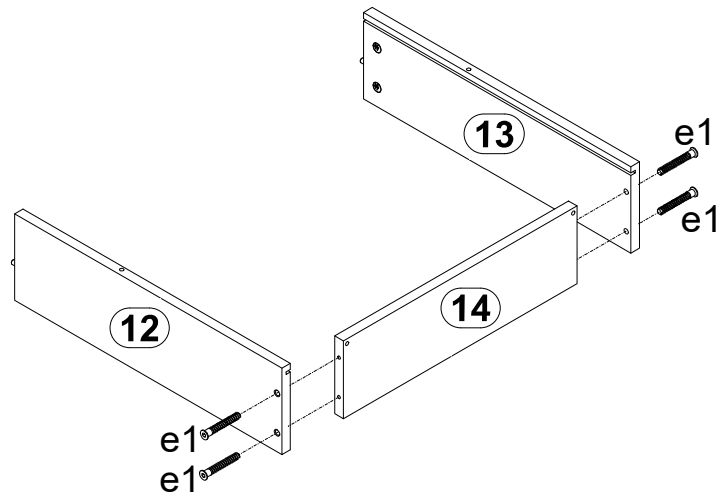
7



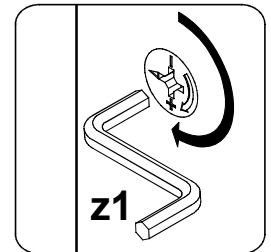
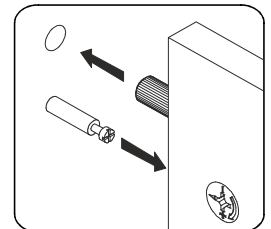
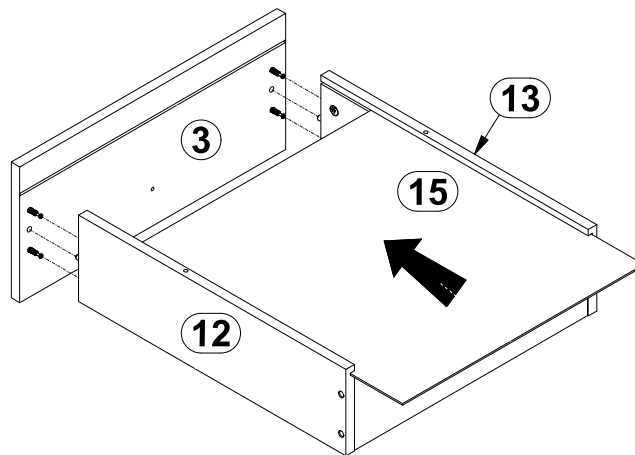
8



9



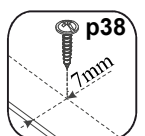
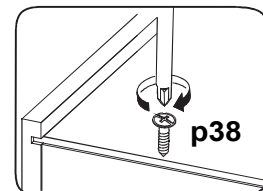
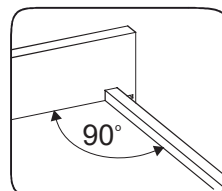
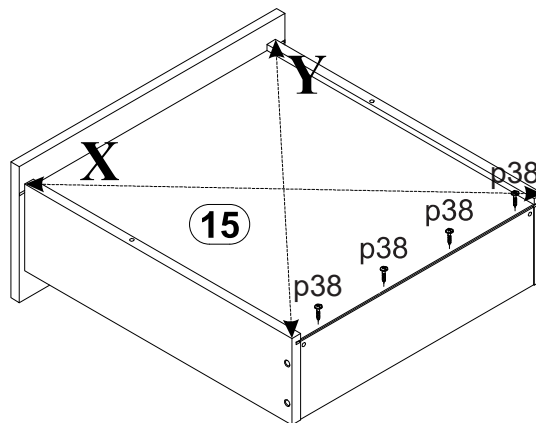
10



11



$X = Y$



12

