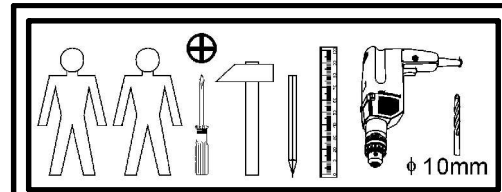
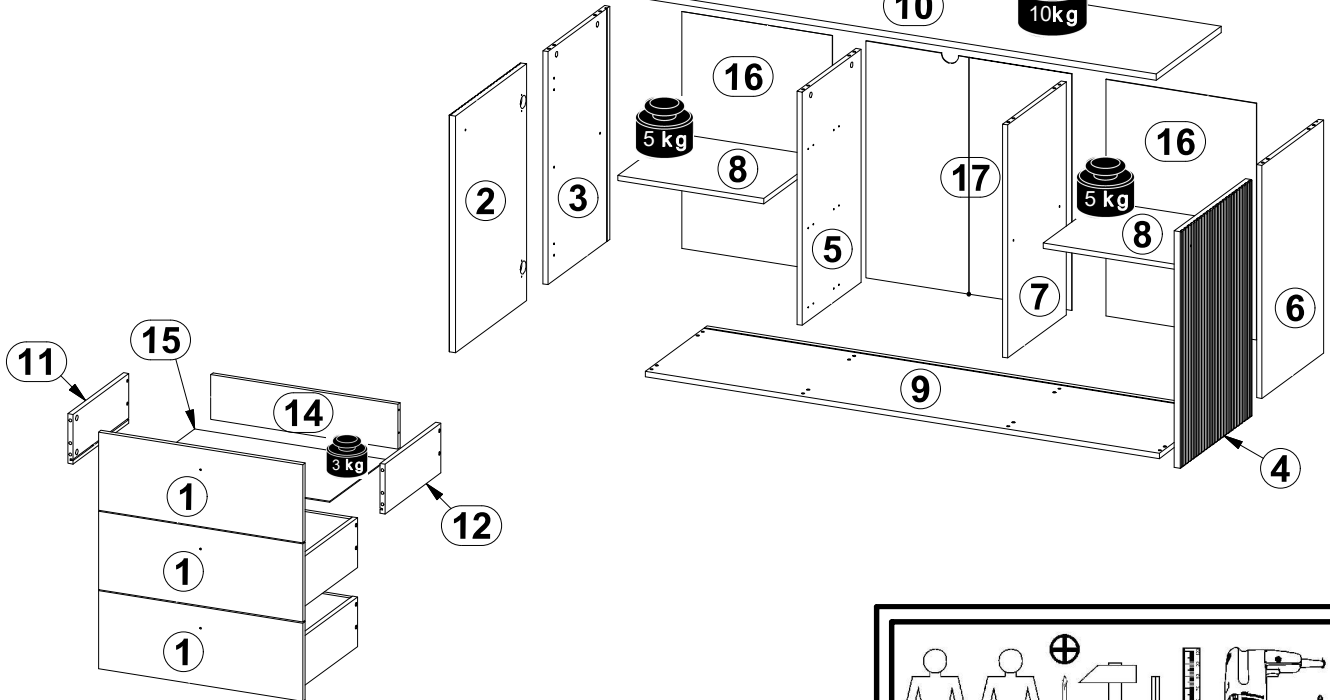
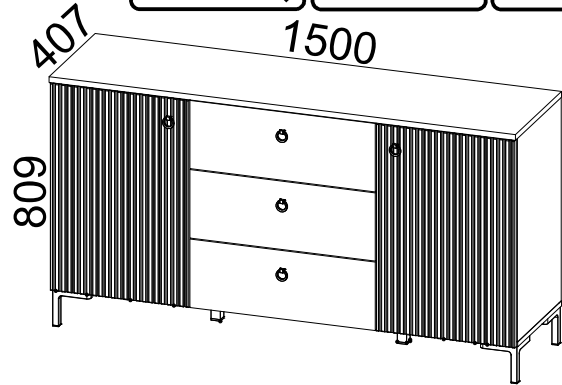
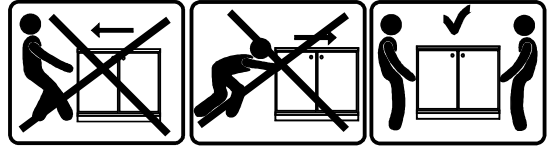


DOMENICA

KOM2D3S

A	B	C			D	E
1	B202-0105	596	220	16	3	1/3
2	B202-0083	666	446	19	1	1/3
4	B202-0107	666	446	19	1	1/3
3	B202-1095	655	387	16	1	2/3
6	B202-1116	655	387	16	1	2/3
5	B202-1097	655	367	16	1	1/3
7	B202-1119	655	367	16	1	1/3
9	B202-2031	1500	387	16	1	2/3
10	B202-2072	1500	407	18	1	2/3
8	B202-3022	424	350	16	2	2/3
11	B202-5060	350	140	16	3	1/3
12	B202-5061	350	140	16	3	1/3
14	B202-5062	543	126	16	3	2/3
15	B202-9025	557	356	2,5	3	2/3
16	B202-9058	664	438	2,5	2	1/3
17	B202-9311	664	598	2,5	1	1/3
18	Фурнитура/Accessories				1	3/3

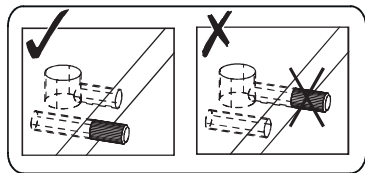
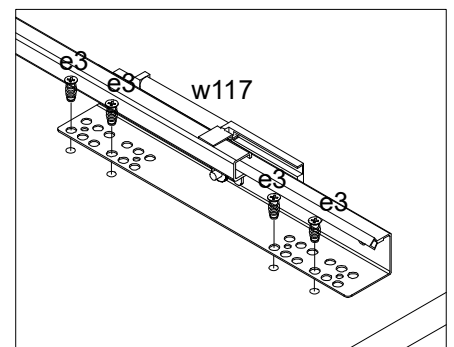
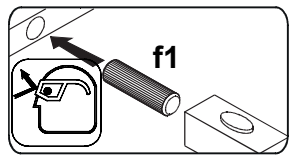
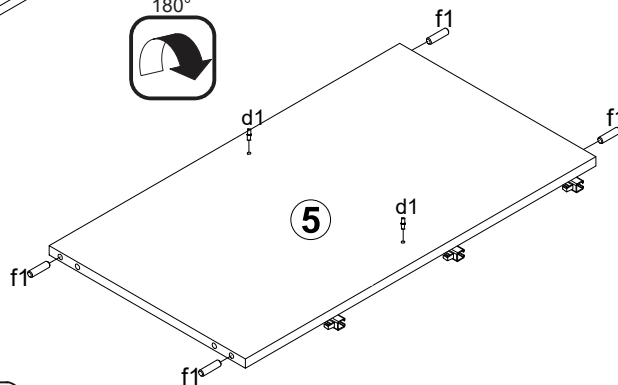
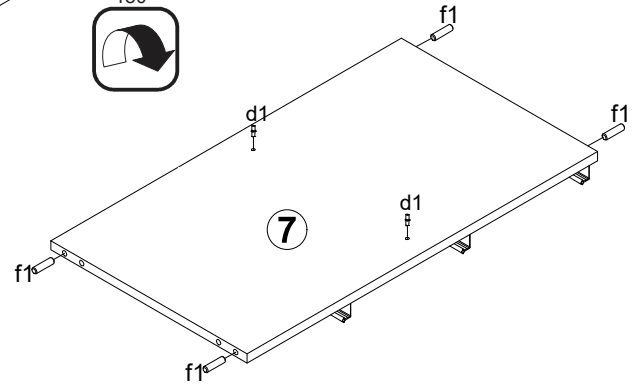
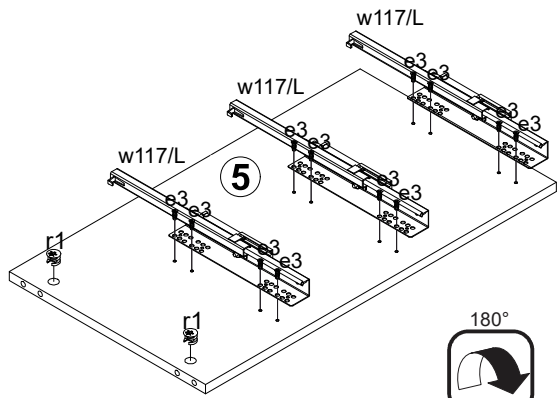
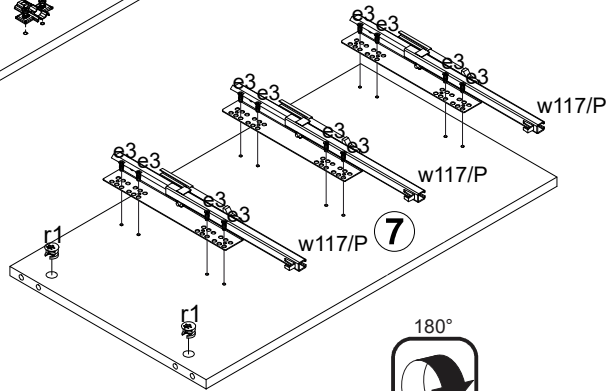
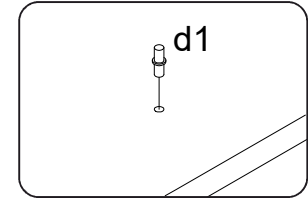
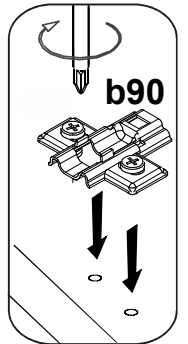
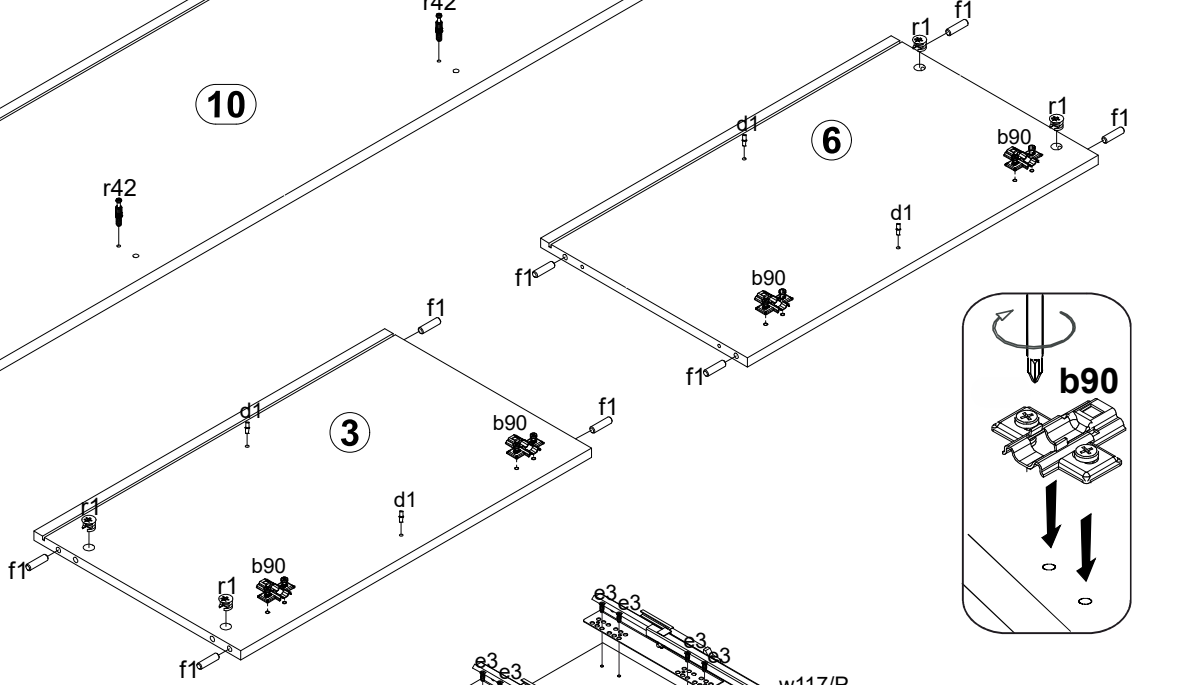
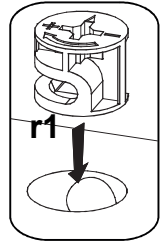
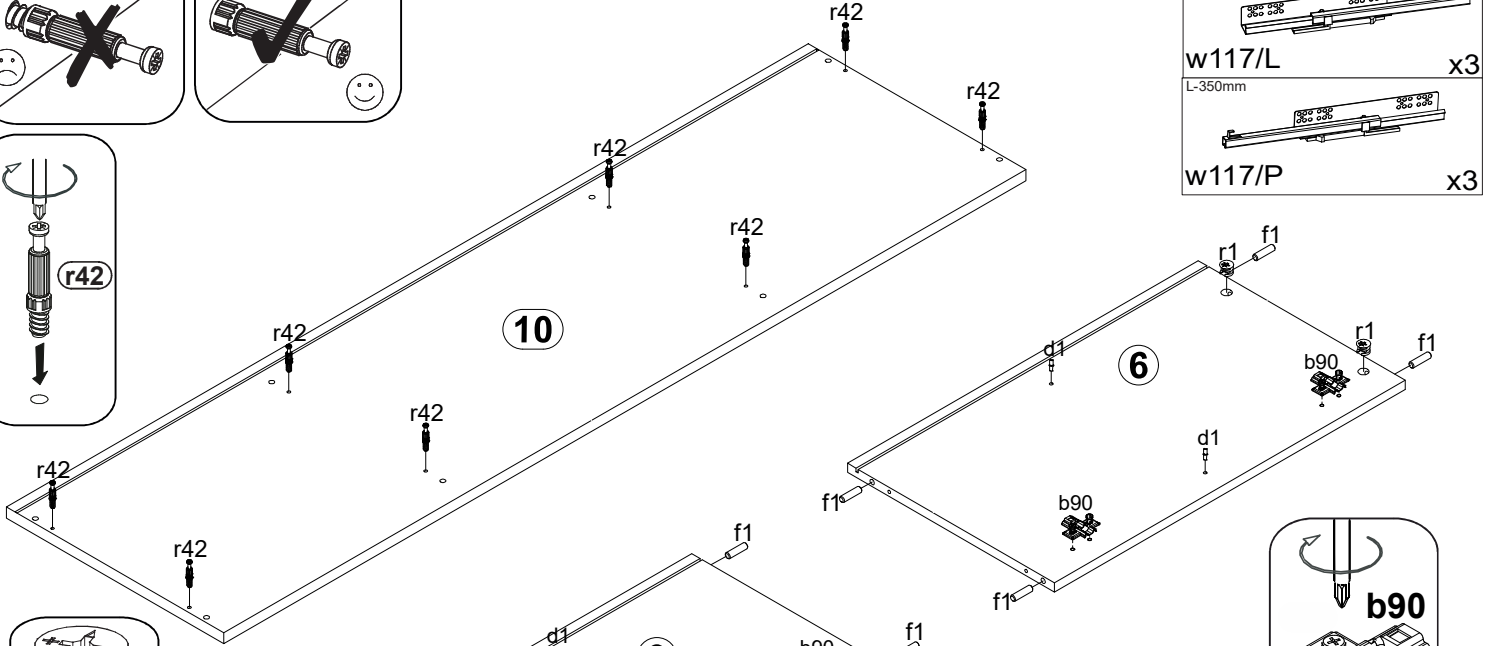
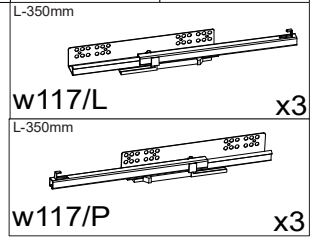
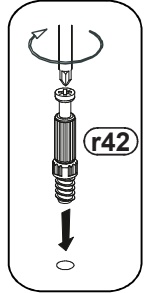
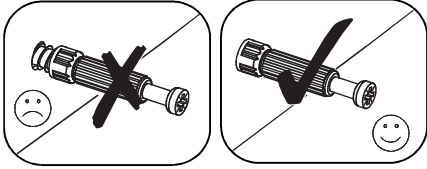


a204 x4	b90 x4	cb10 x5	d1 x8	e1 x20	e3 x24	f1 x22	j1 x3
j30 x2	l2 x18	n26 x1	n108 x8	p38 x41	p51 x8	r1 x20	r42 x20
s2 x18	p17 x1	f35 x1	z1 x1	w117/P x3		w117/L x3	
k38\7 x2	k38\3 x2	e2 x2	p21 x16	k112/2 x4			

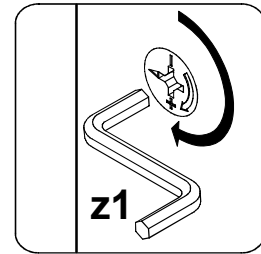
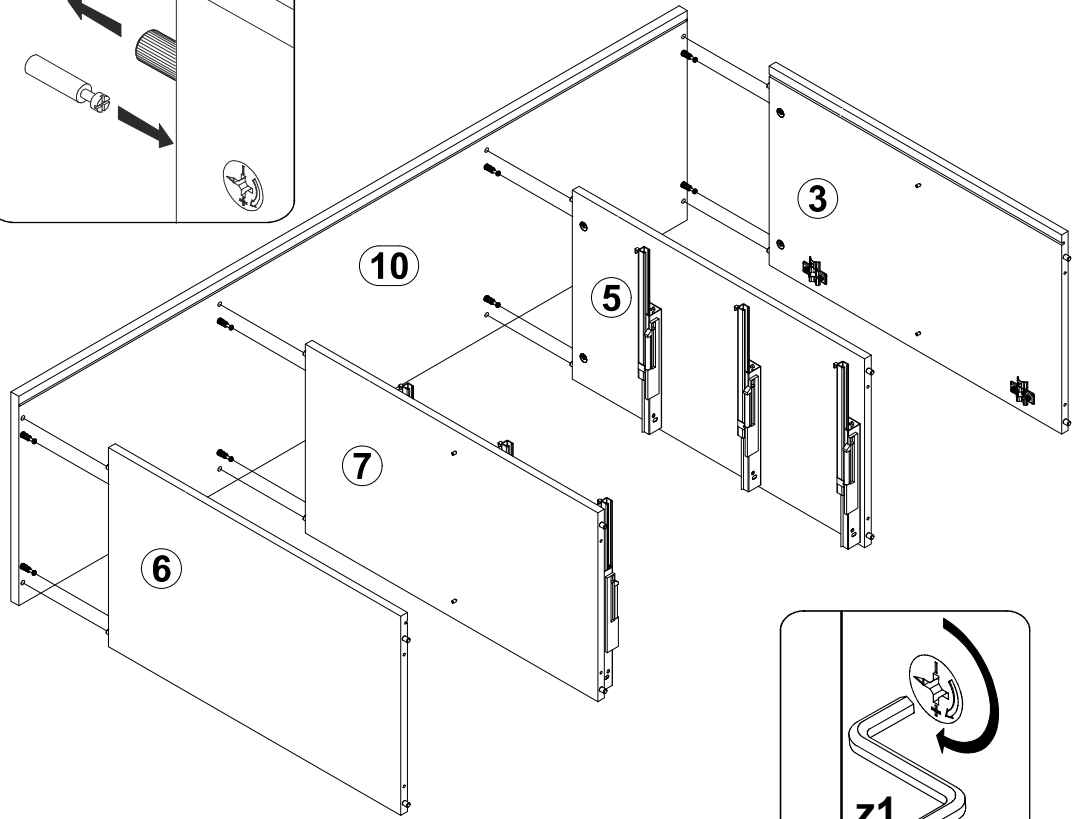
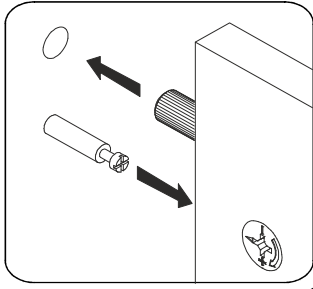
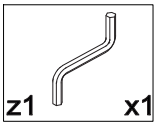
1



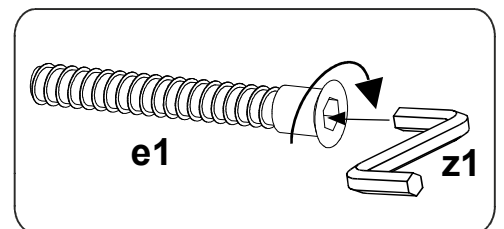
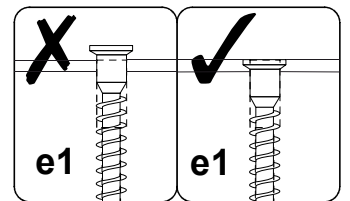
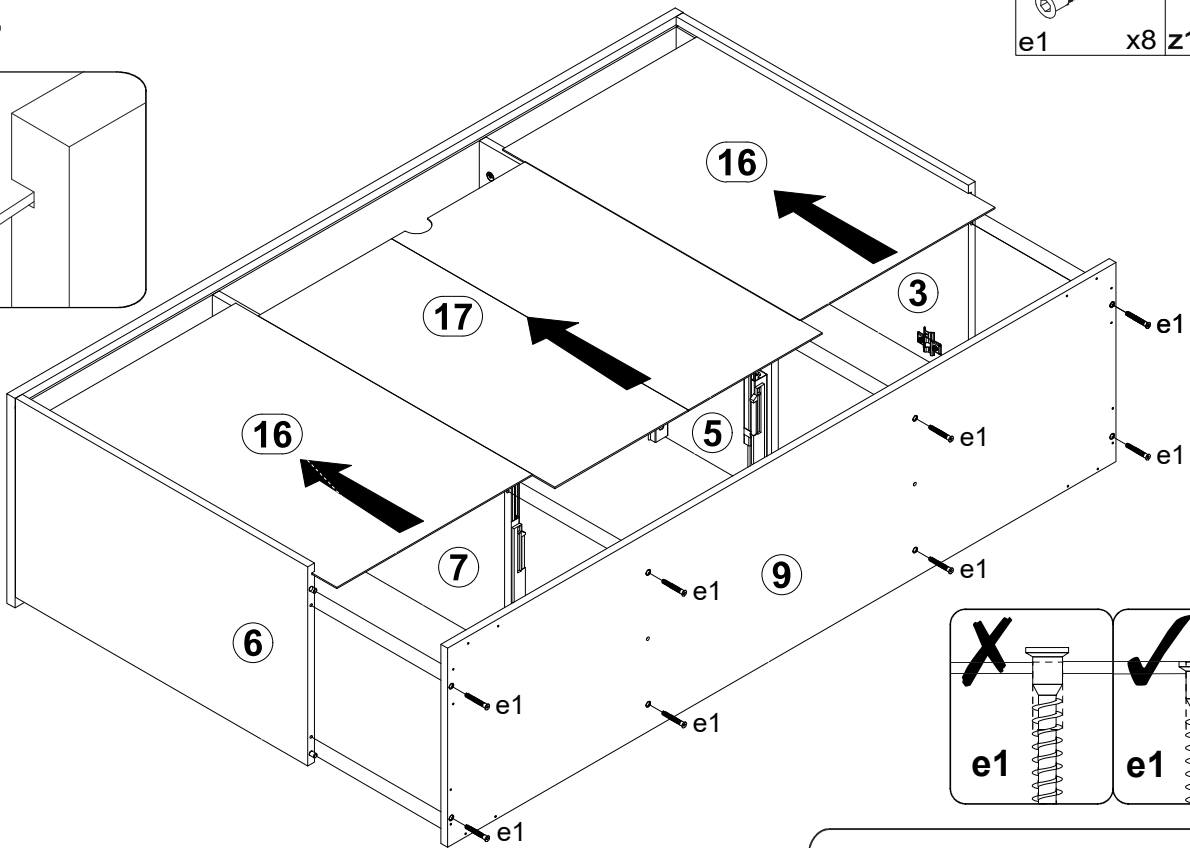
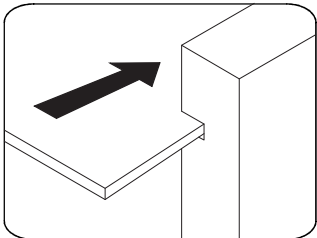
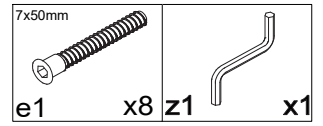
	D5mm	Ø8x30 mm	Ø15x12 mm #16	20/11	6x13mm
b90 x4	d1 x8	f1 x16	r1 x8	r42 x8	e3 x24



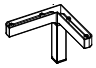


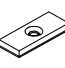


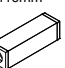

2 §6

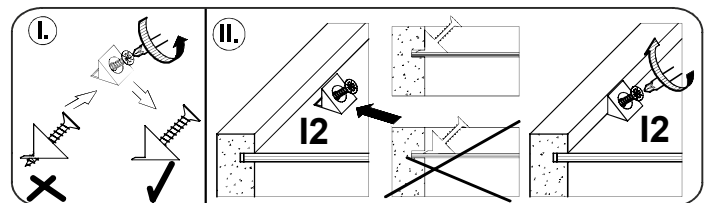
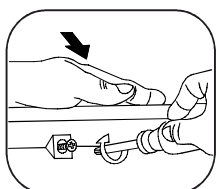
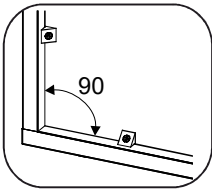
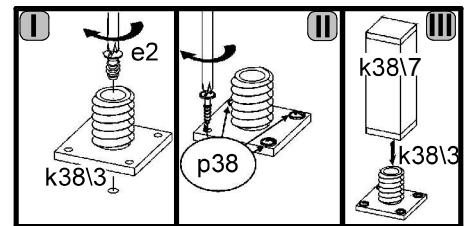
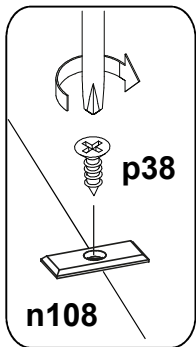
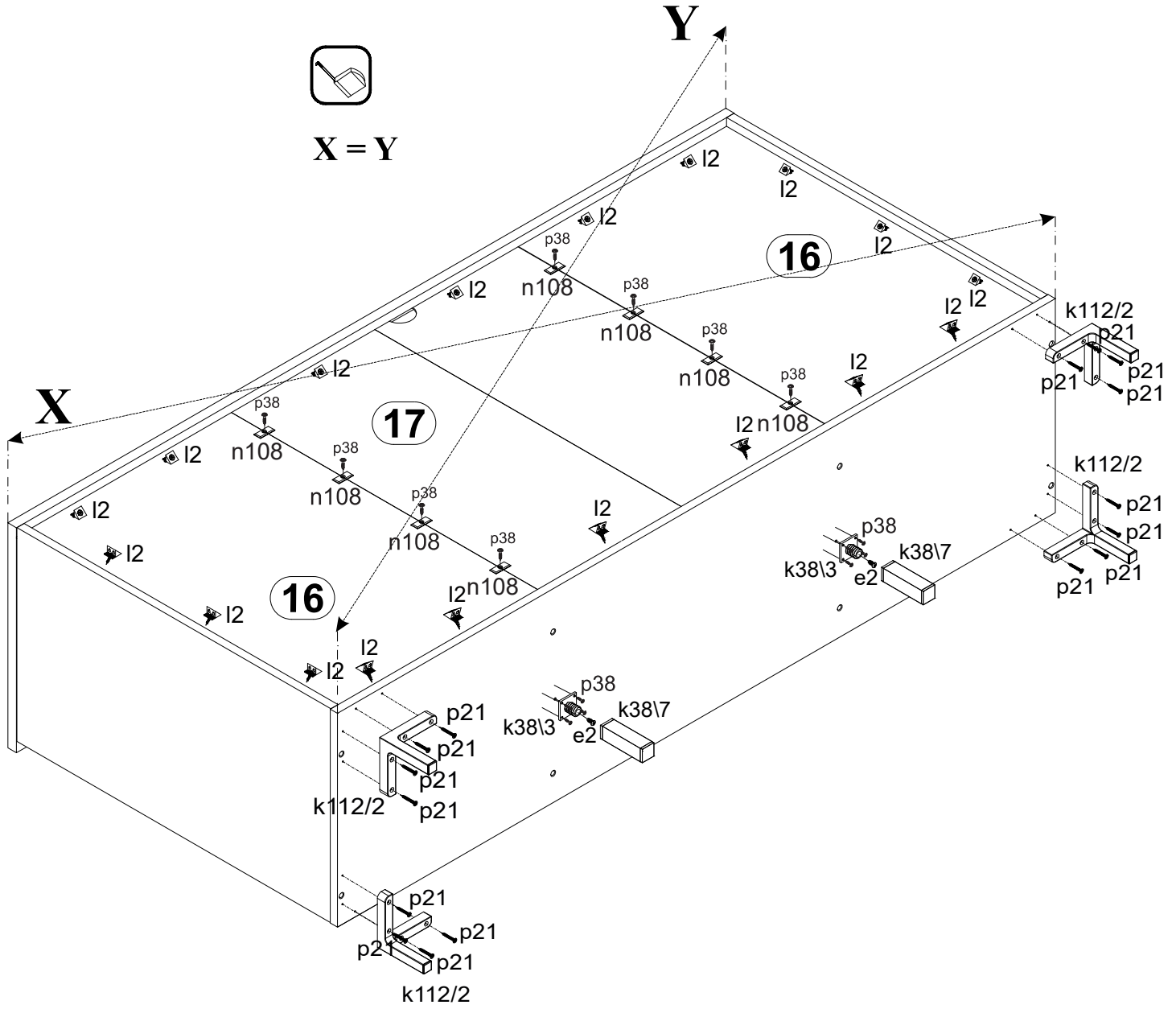


3 §6



4

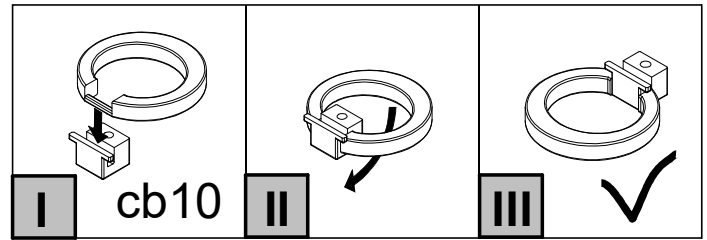
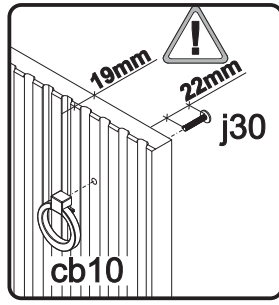
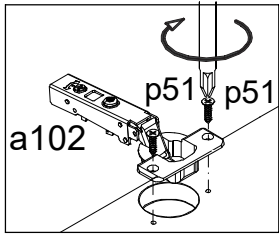
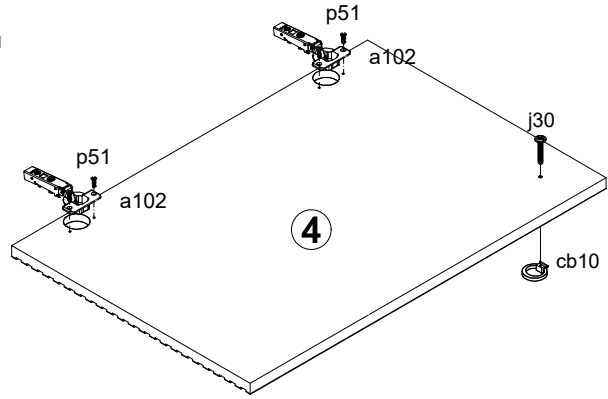
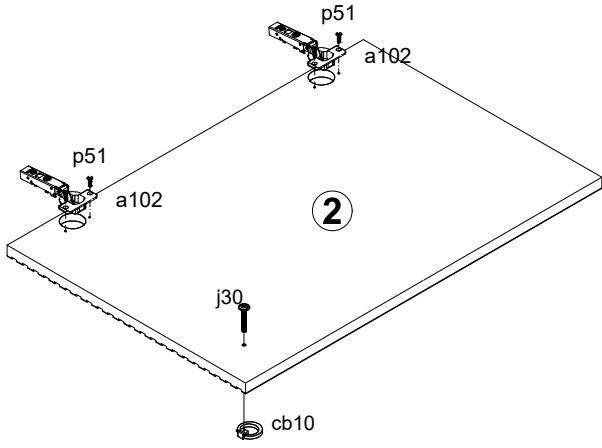
 k112/2 x4	 e2 x2	 l2 x18	 n108 x8	 p38 x16
		 p21 x16	 k38\7 x2	 k38\3 x2



5



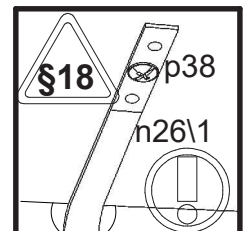
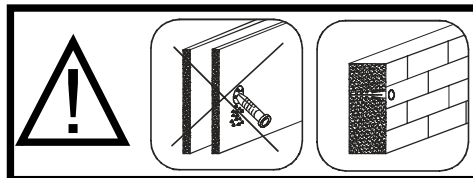
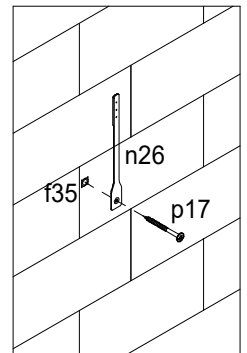
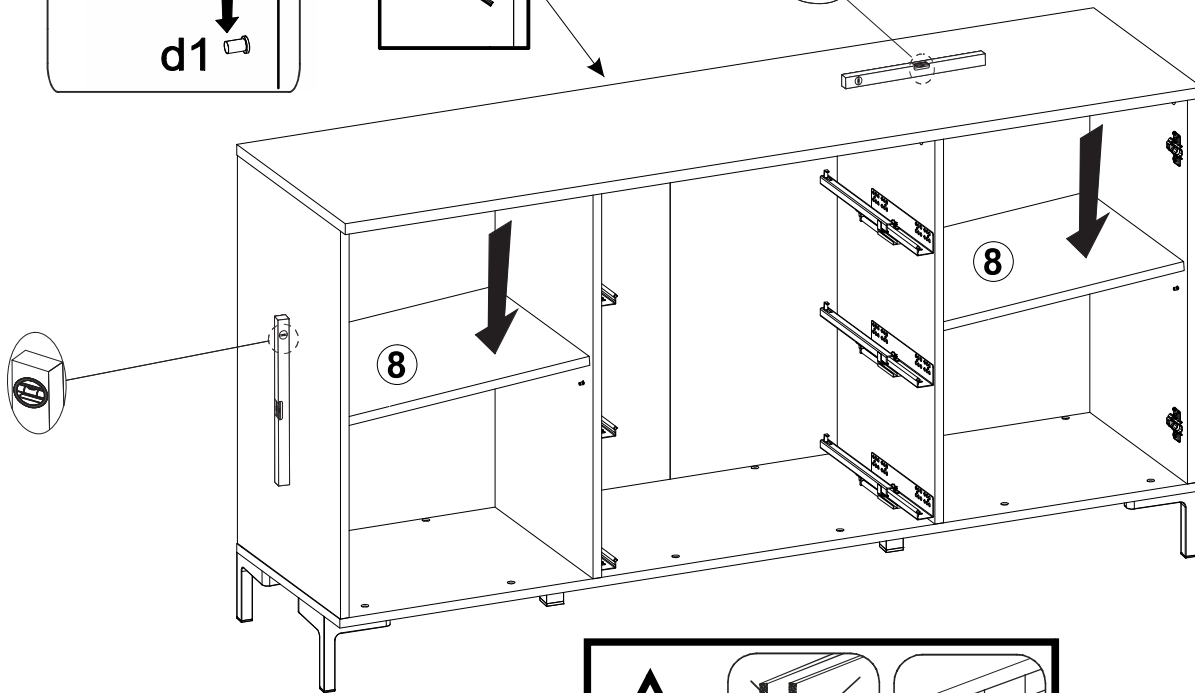
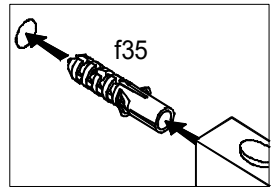
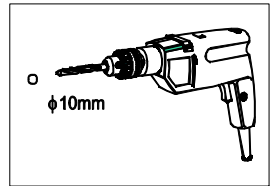
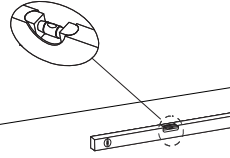
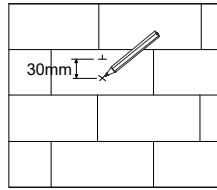
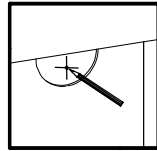
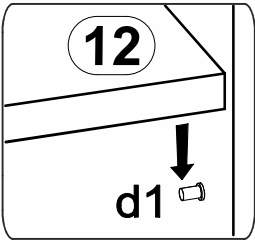
- | | | | |
|---------|---------|--------|--------|
| | | | |
| a204 x4 | cb10 x2 | j30 x2 | p51 x8 |



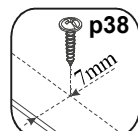
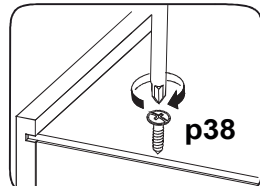
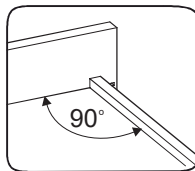
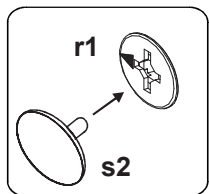
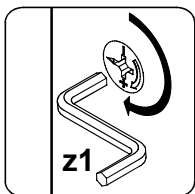
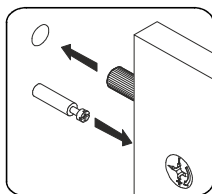
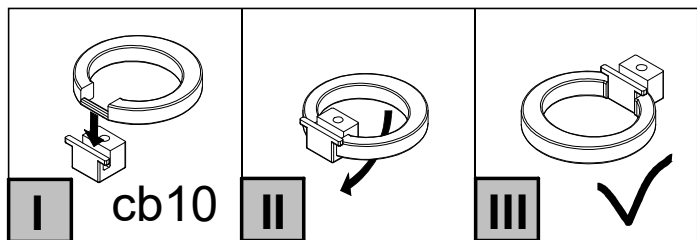
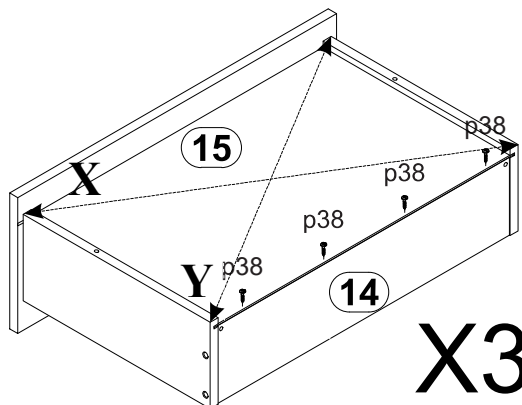
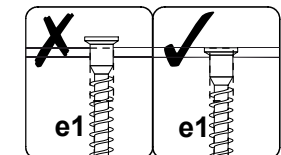
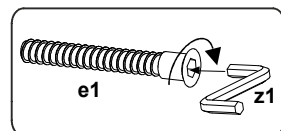
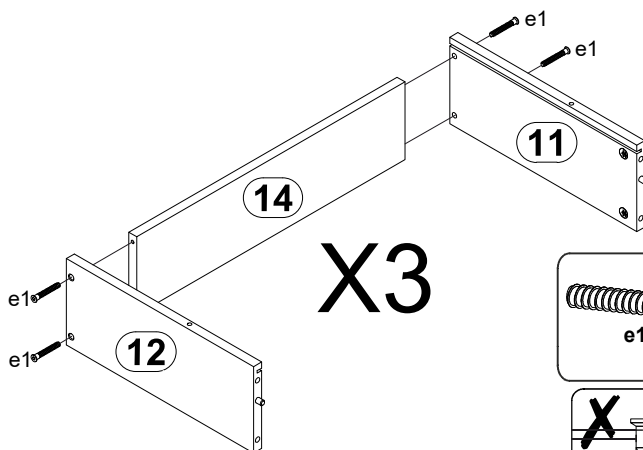
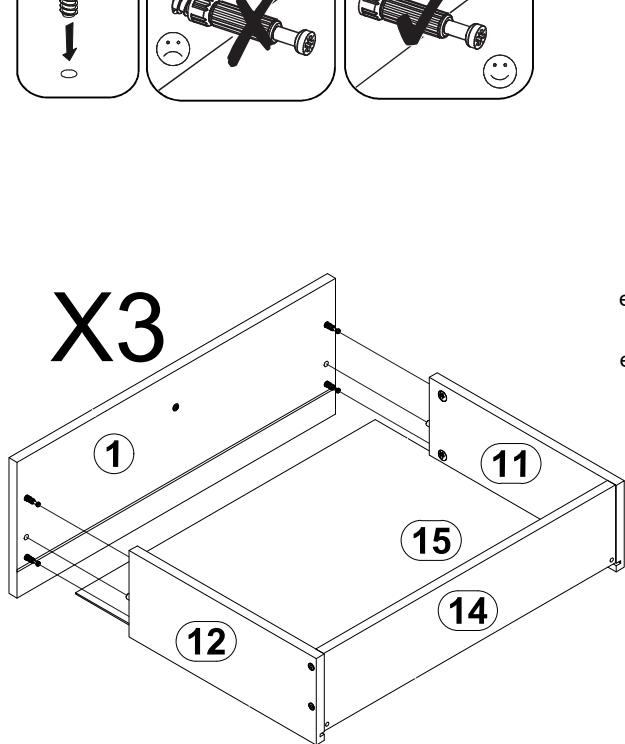
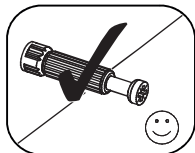
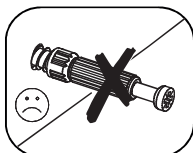
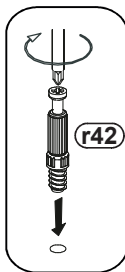
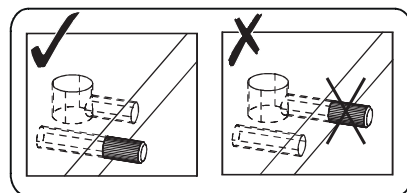
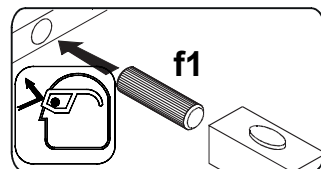
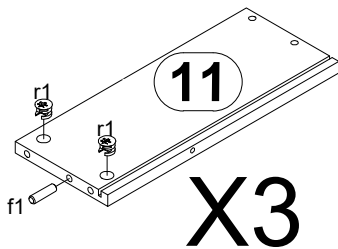
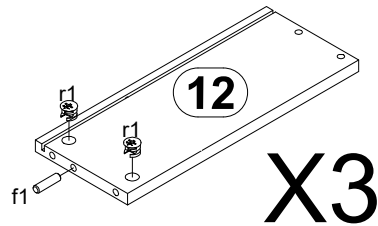
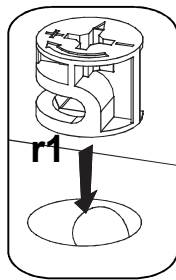
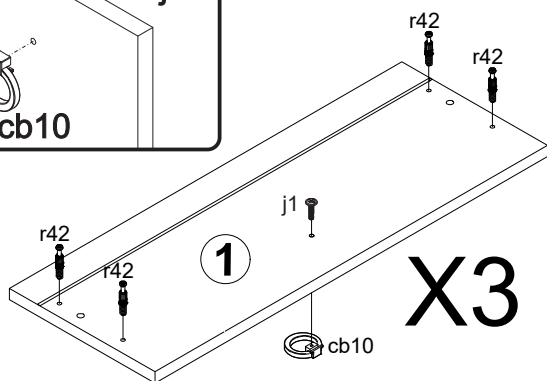
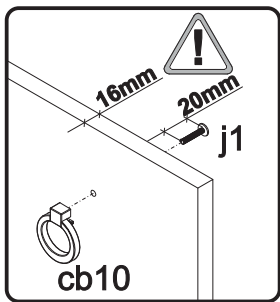
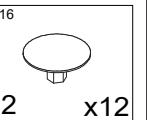
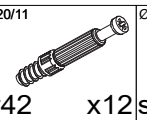
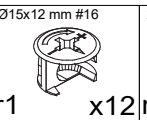
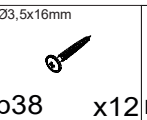
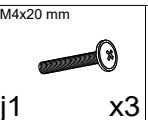
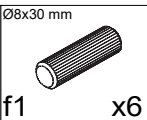
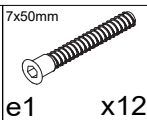
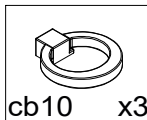
6



- | | | | |
|--------|--------|--------|--------|
| | | | |
| n26 x1 | p38 x1 | p17 x1 | f35 x1 |





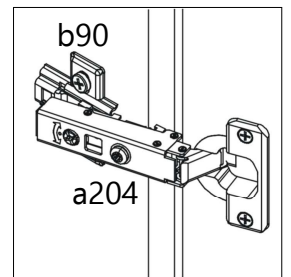
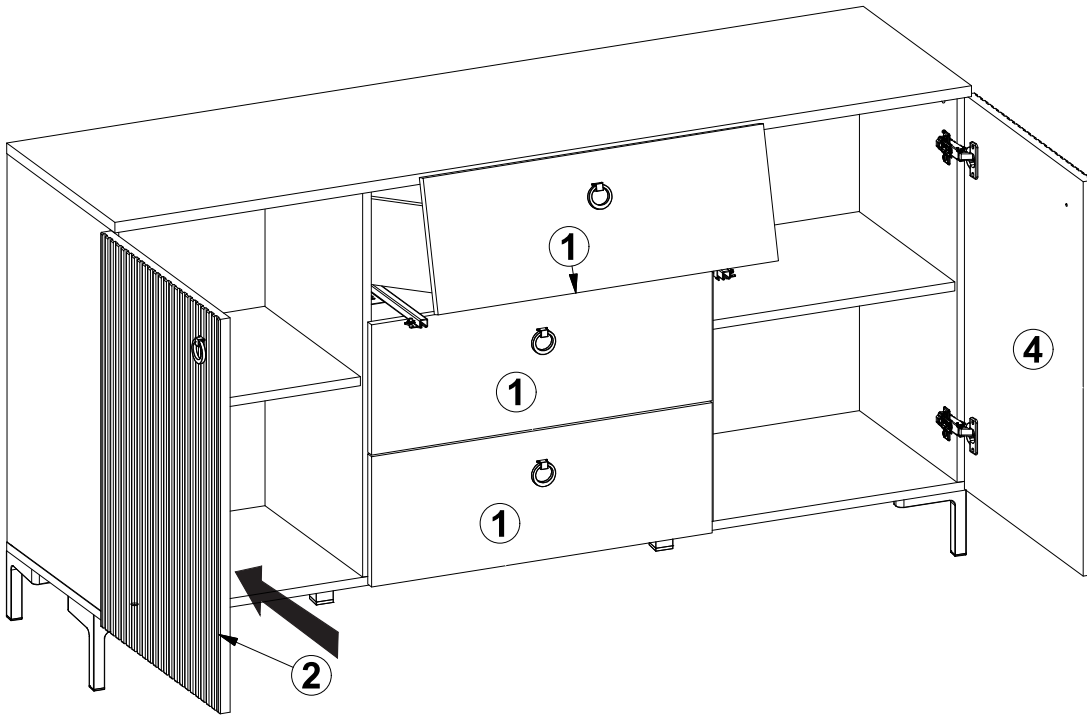
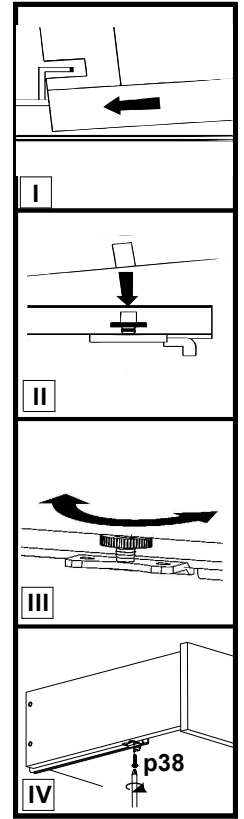
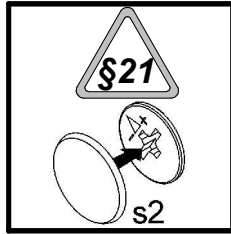
8



9



Ø3,5x16mm	Ø16
	
p38	x6 s2 x6



§10

