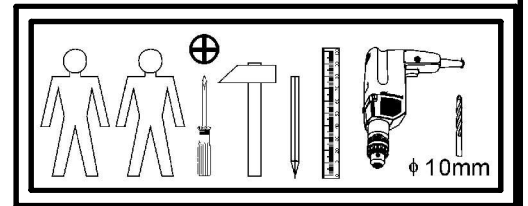
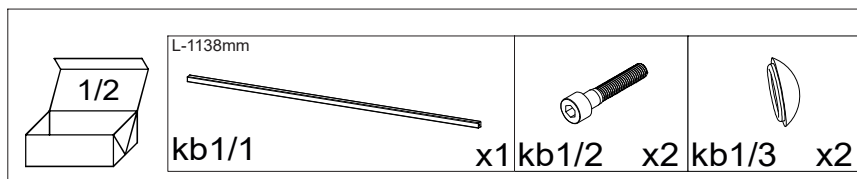
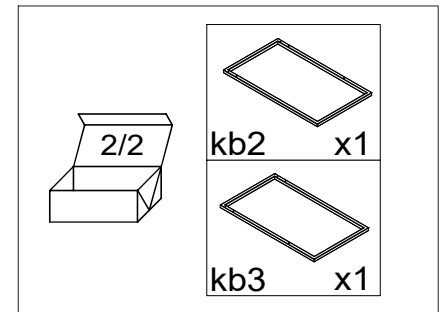
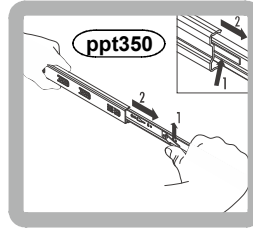
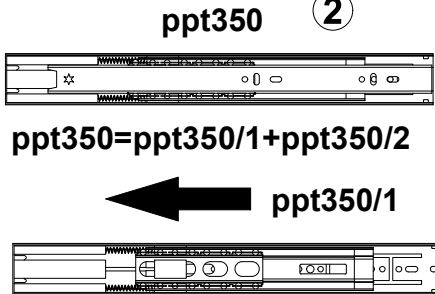
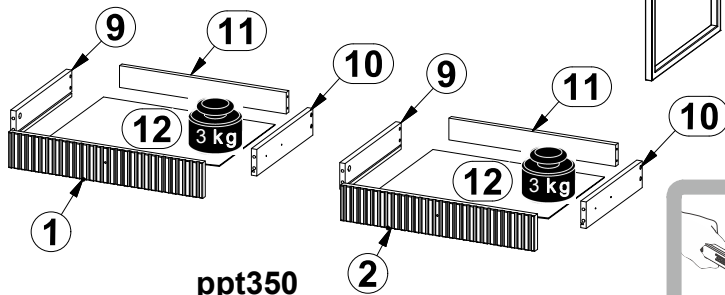
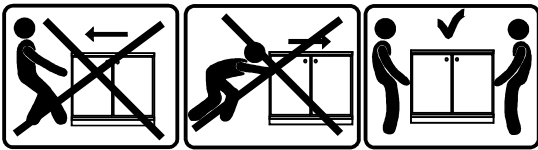
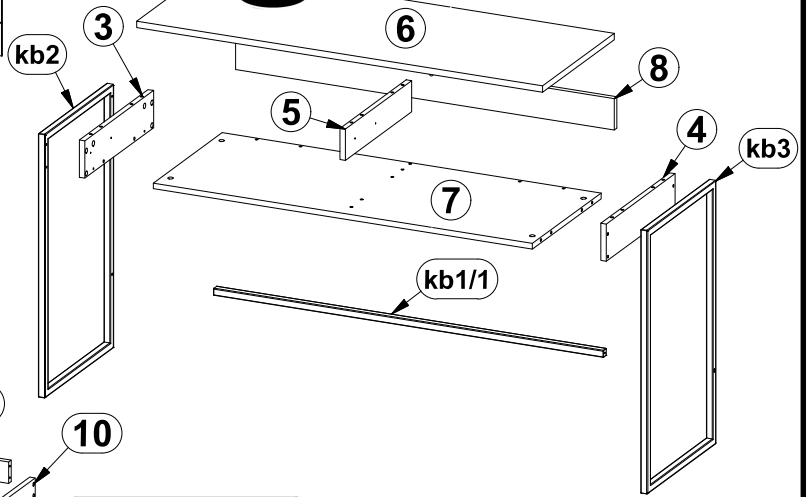
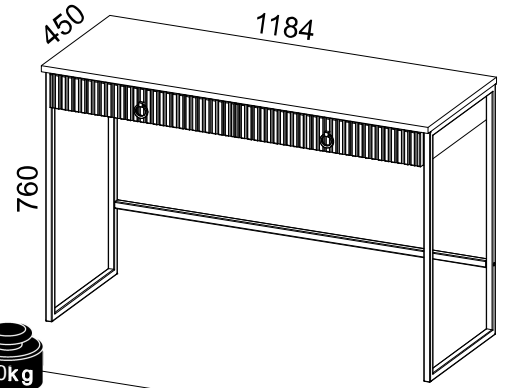
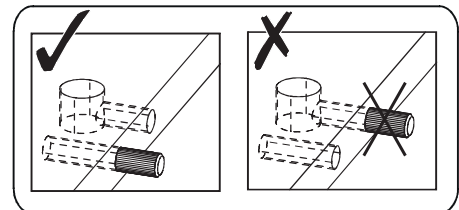
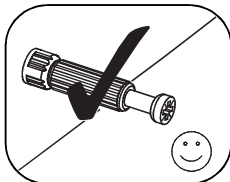
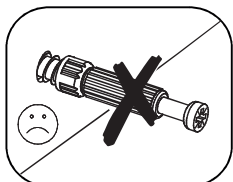
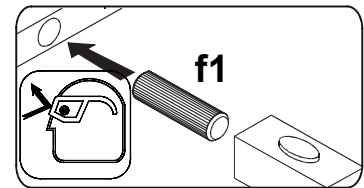
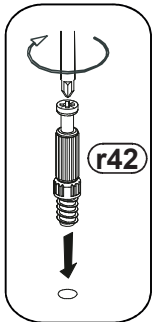
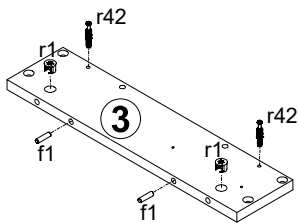
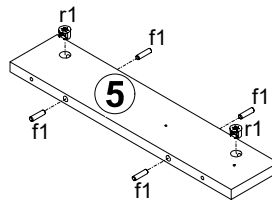
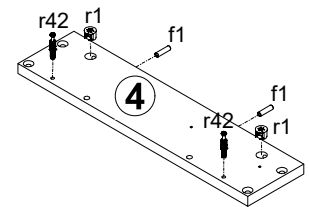
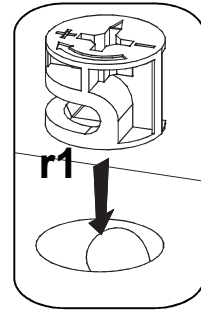
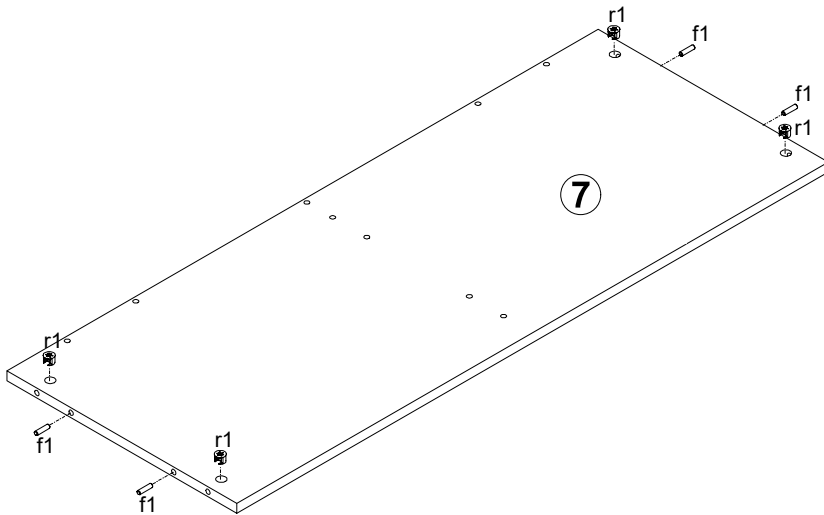
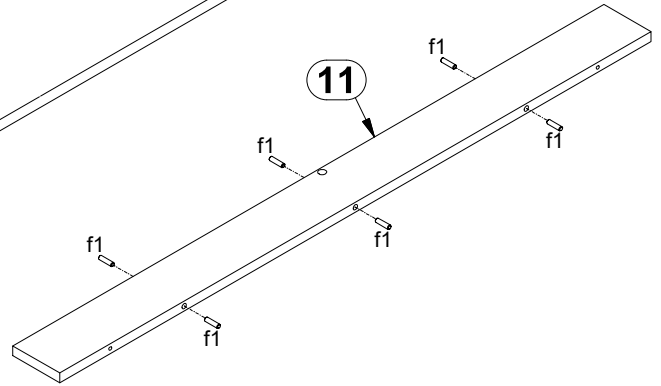
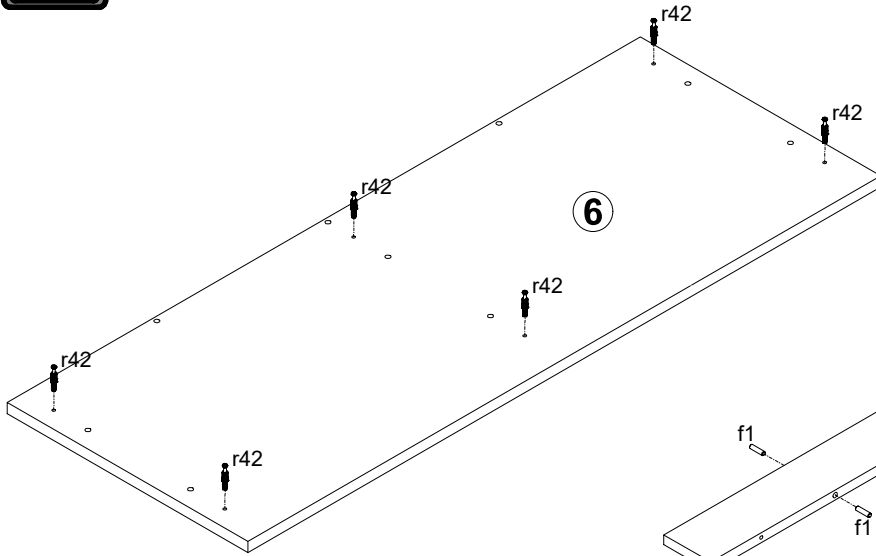


A	B	C			D	E
1	B202-0080	100	566	19	1	1/2
2	B202-0081	100	566	19	1	1/2
3	B202-1089	105	430	16	1	1/2
4	B202-1090	105	430	16	1	1/2
5	B202-1091	88	414	16	1	1/2
6	B202-2061	1184	450	18	1	1/2
7	B202-3034	1106	430	16	1	1/2
8	B202-4030	1106	88	16	1	1/2
9	B202-5073	350	75	16	2	1/2
10	B202-5074	350	75	16	2	1/2
11	B202-5075	487	61	16	2	1/2
12	B202-9043	501	356	2,5	2	1/2
-	Фурнитура / Accessories				1	1/2

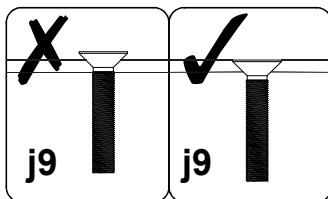
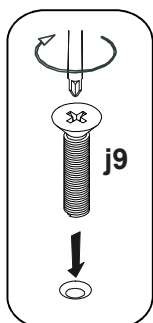
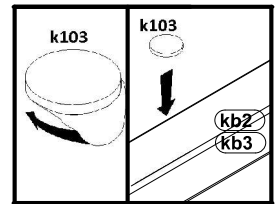
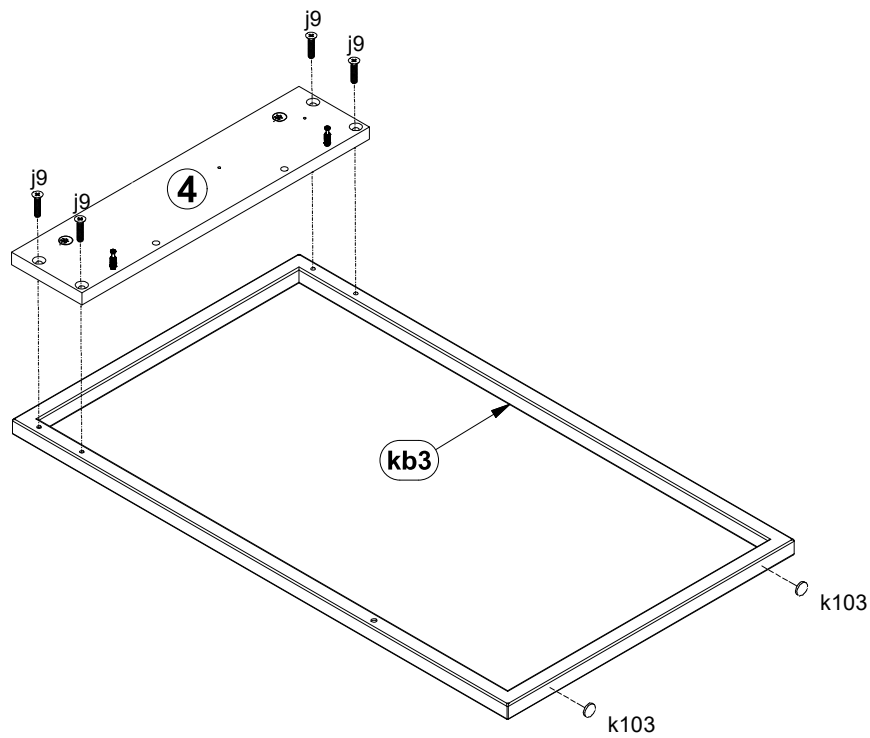
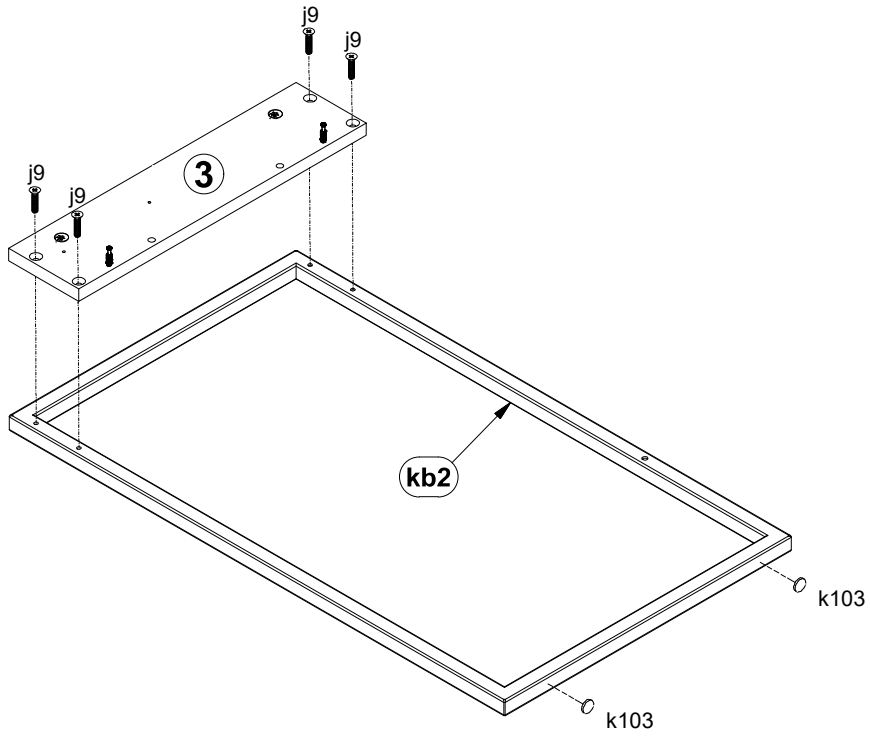


e1 x12	f1 x22	cb10 x2	j30 x2	n26 x1	p38 x9	f35 x1	p17 x1
r1 x14	r42 x14	s2 x4	s59 x4	z1 x1	j9 x8	p51 x8	k103 x4
ppt350 x2	z17 x1						

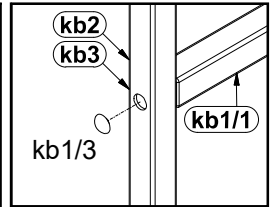
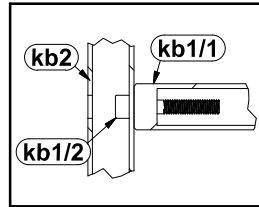
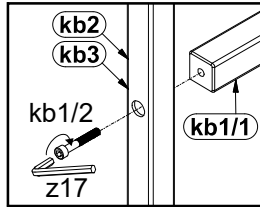
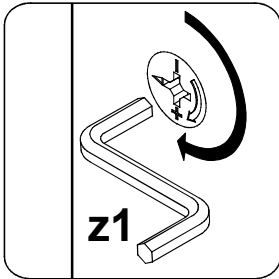
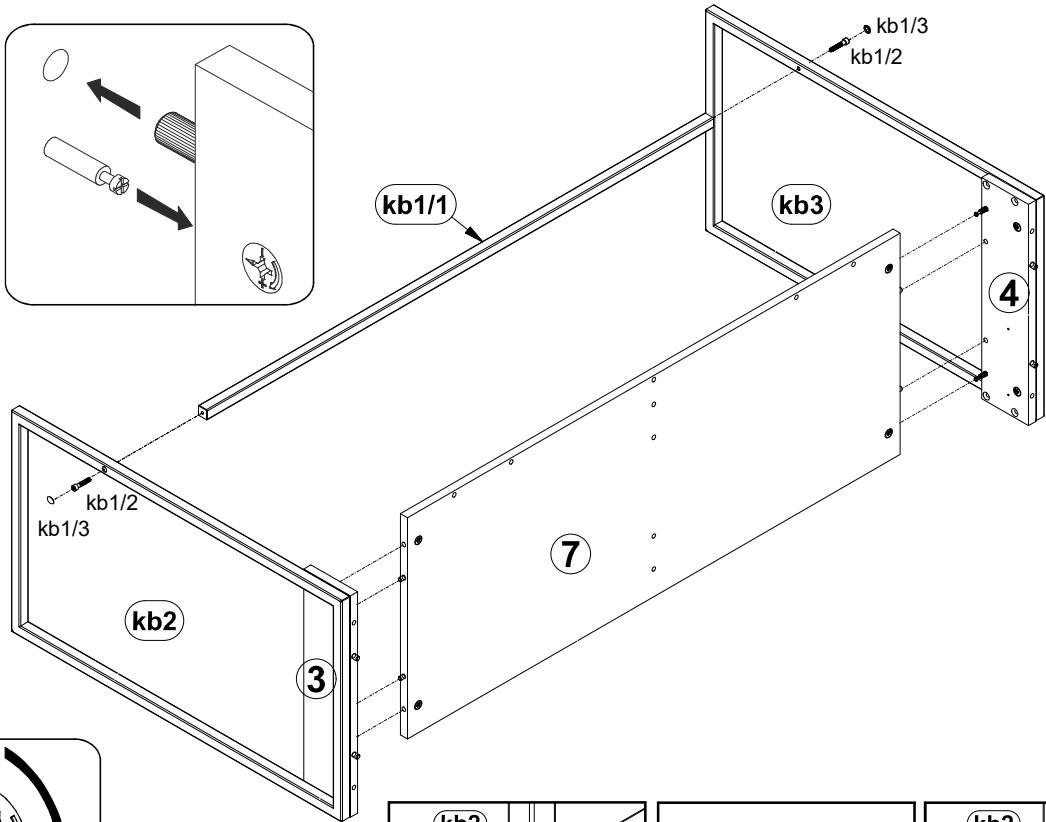
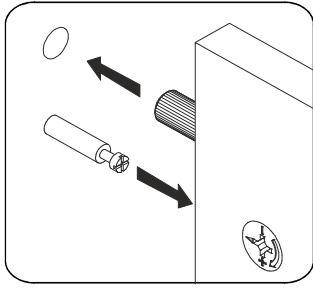
# 1 §2



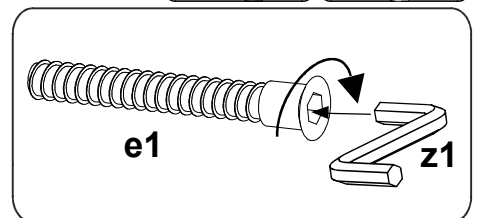
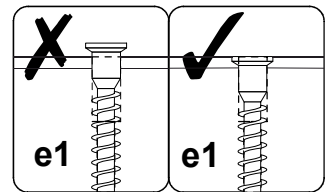
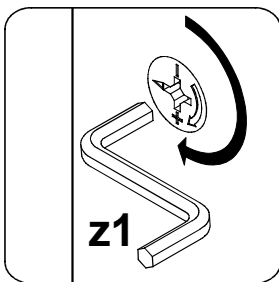
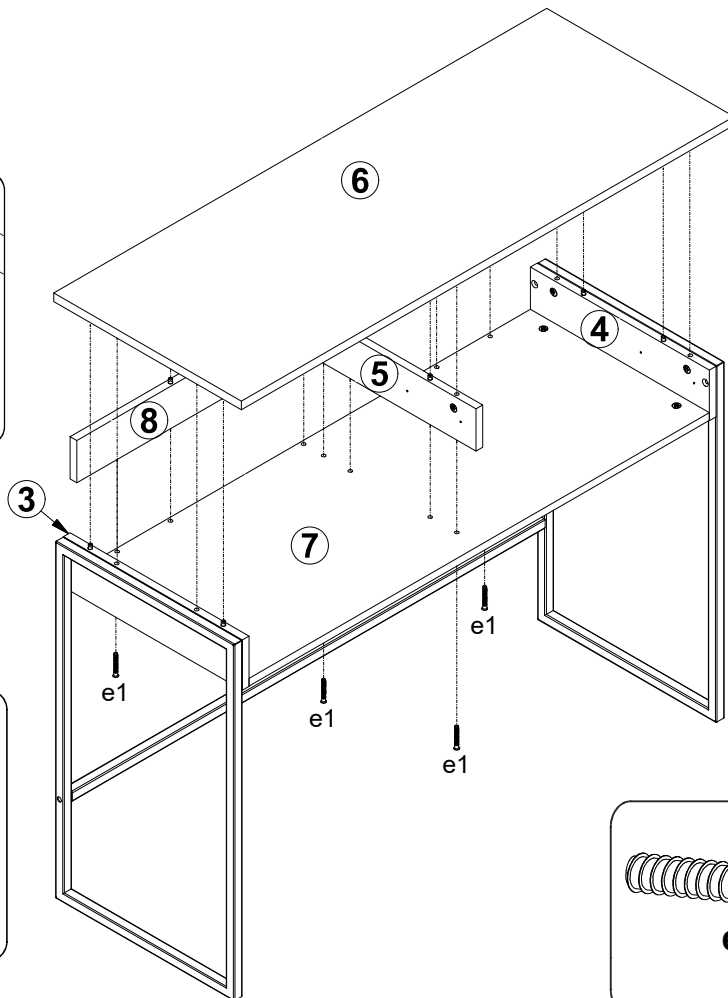
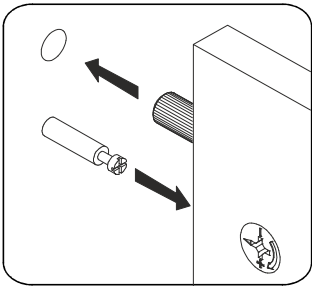
# 2



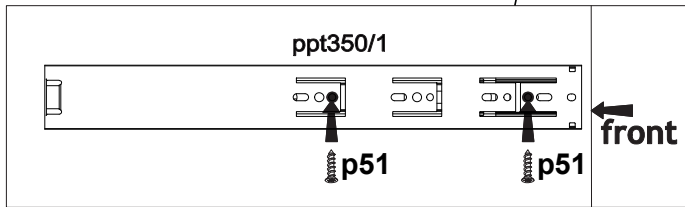
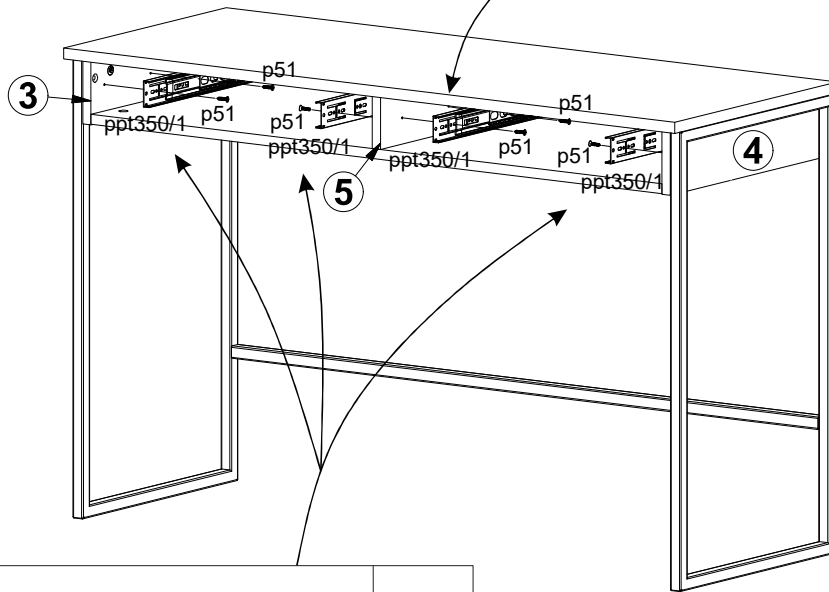
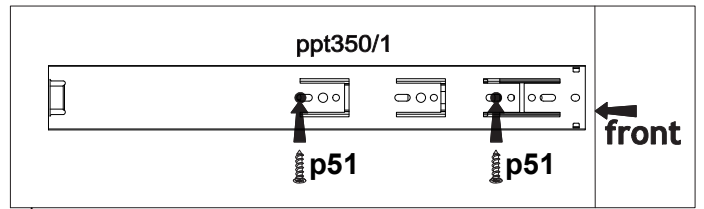
# 3



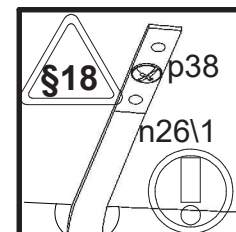
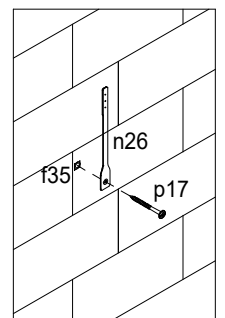
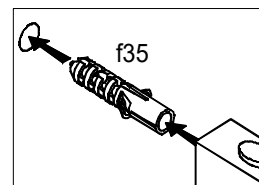
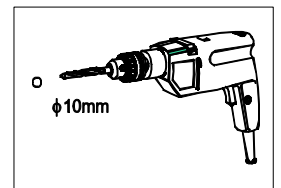
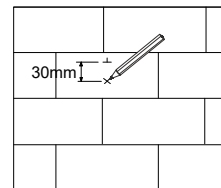
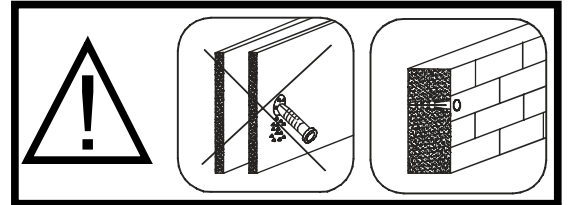
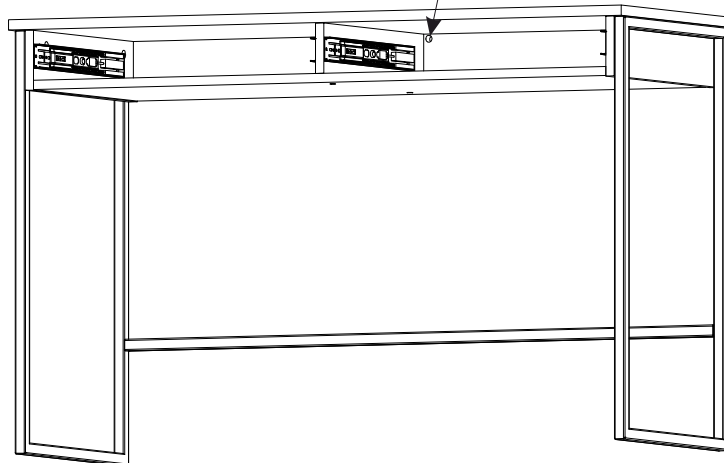
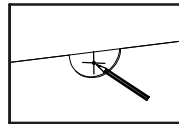
# 4



# 5



# 6



# 7

§2

**2x**

1, 2, r42, p30, cb10

12, 13, 2x, f1, r1

I cb10 II III ✓

r42

f1

# 8

§6 §2

**2x**

14, 13, 12, 15, 2x, e1, z1

§21 s2

z1

15

15

e1, z1

e1, e1

# 9

§6

**2x**

X = Y

A = B

15, X, Y, p51, ppt350/2, p38

90°

front

p51, p51

p38, p38

p38 7mm

# 10

