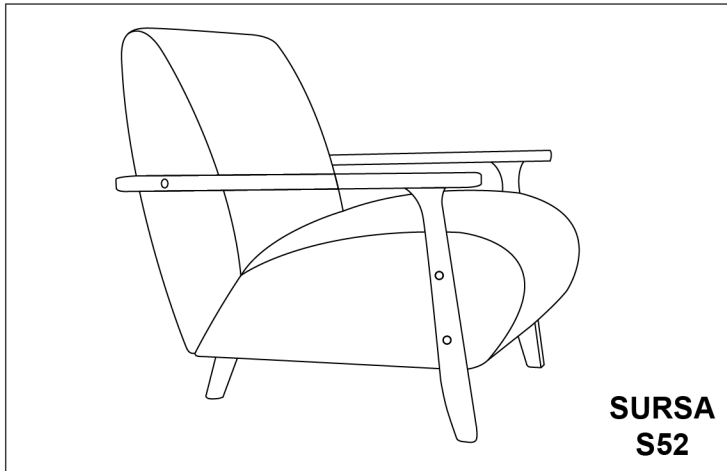


# agata



<b>A</b> M8×60mm 2×	<b>D</b> 5×	<b>G</b> 6×	<b>H</b> 1×
<b>B</b> M8×40mm 8×	<b>E</b> 4×		<b>I</b> 1×
<b>C</b> M6×18mm 7×			

