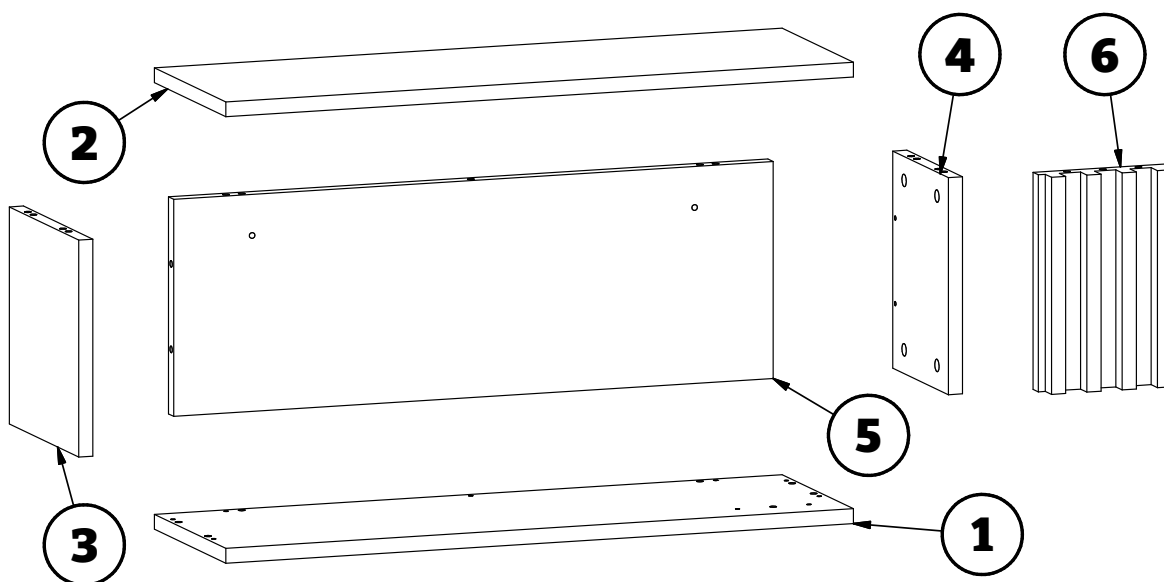
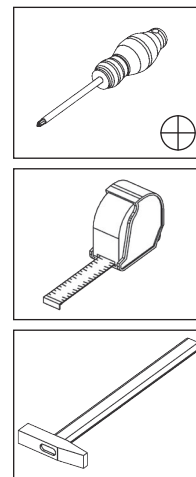
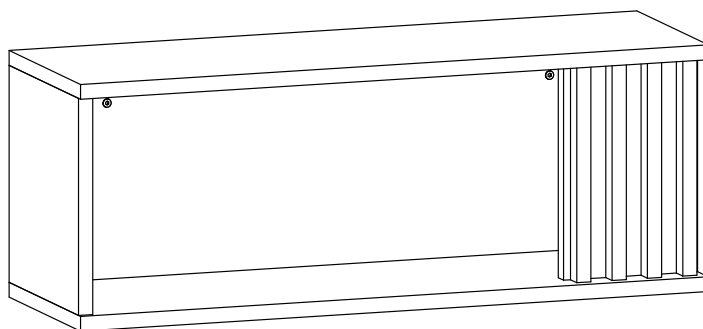


MALMO PÓŁKA

(800x300x250mm)



① **x1** 800x250x18mm





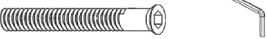

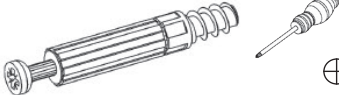
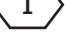
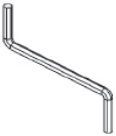










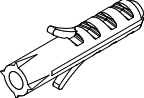
② **x1** 800x250x18mm

③ **x1** 264x243x18mm

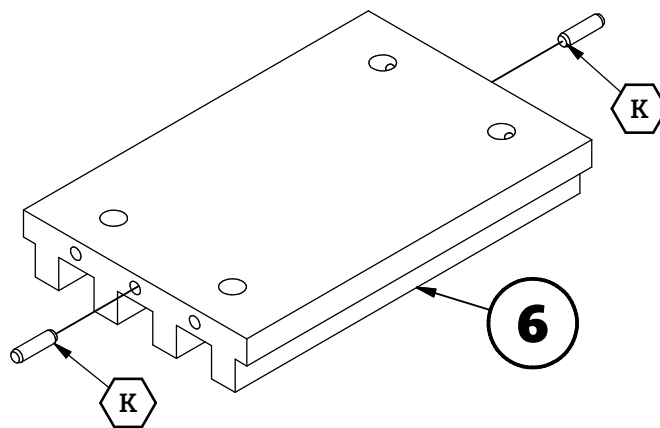
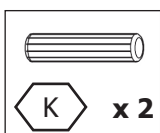
④ **x1** 264x195x18mm

⑤ **x1** 264x762x18mm

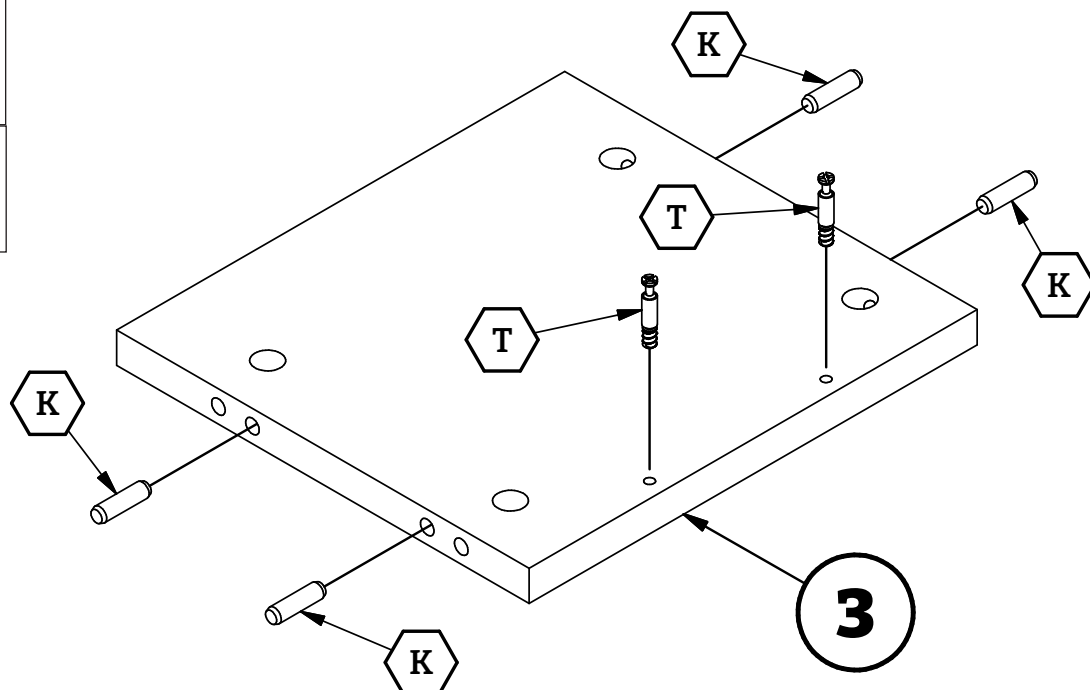
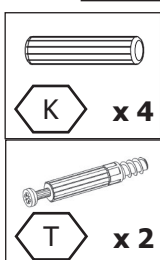
⑥ **x1** 264x171x48mm

   <p>x 14 $\phi 8 \times 35 \text{mm}$</p>	  <p>x 2 7x50</p>	  <p>x 22</p>
  <p>x 1</p>	   <p>x 8</p>	   <p>x 22</p>
   <p>x 2</p>	  <p>x 2</p>	

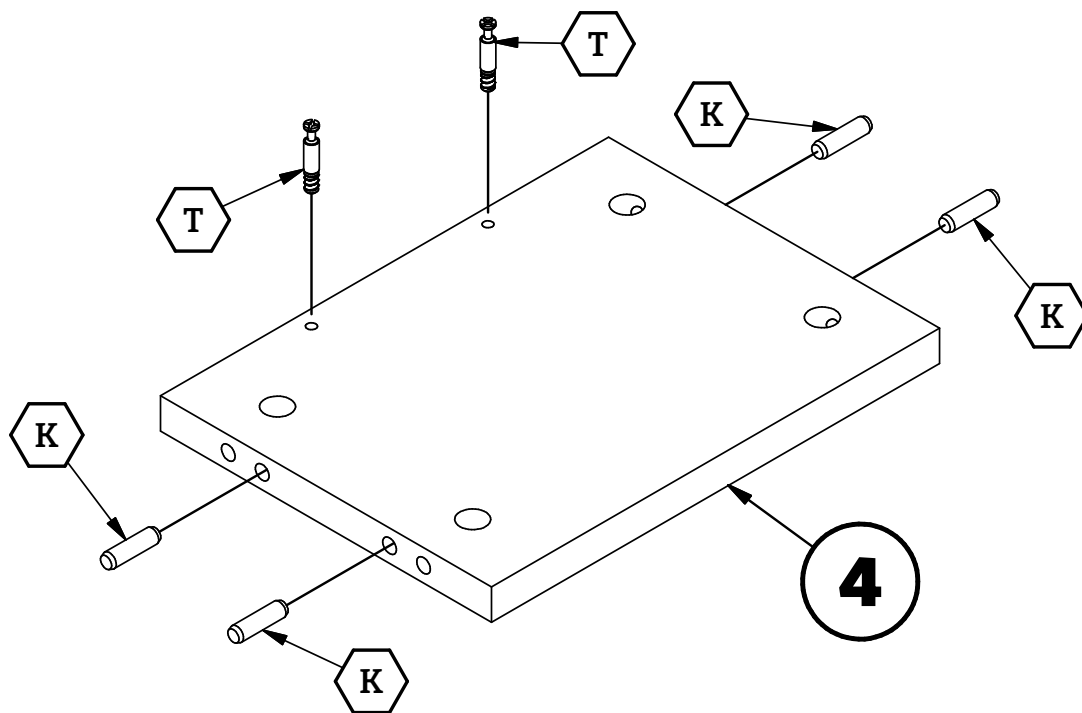
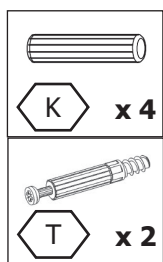
1



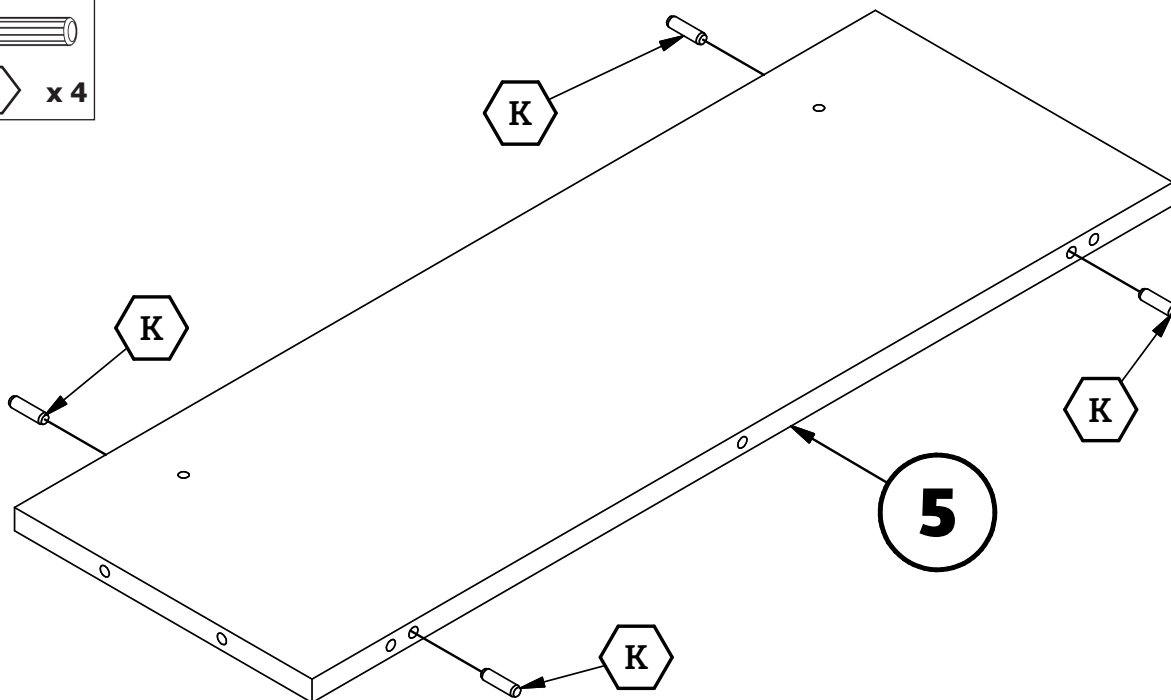
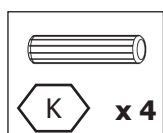
2



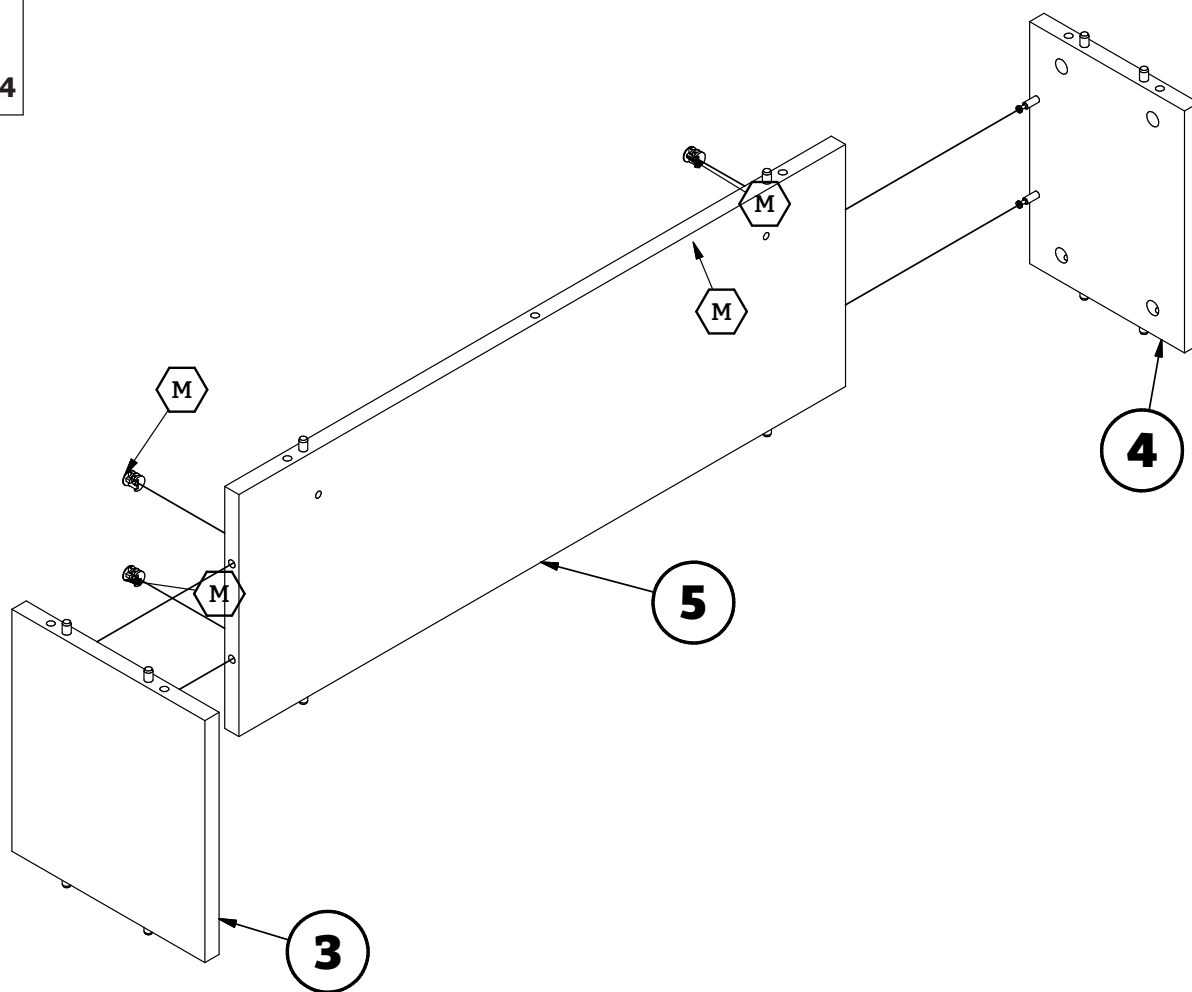
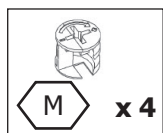
3



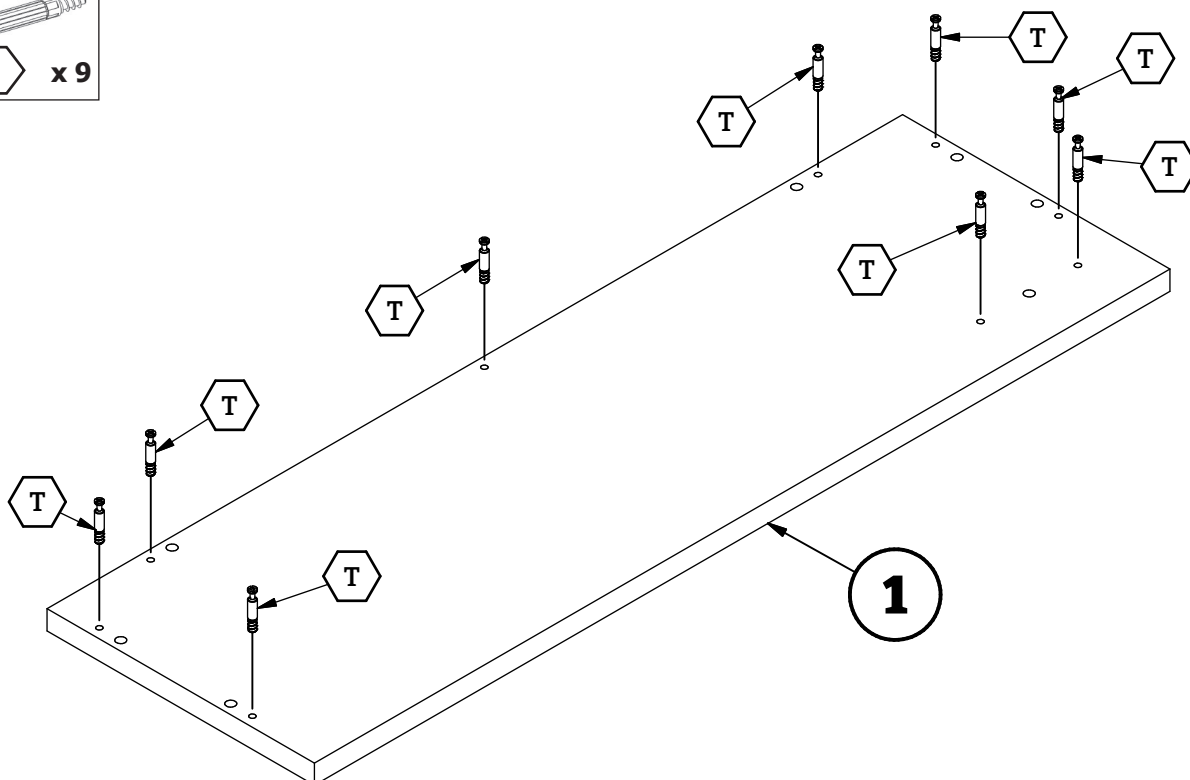
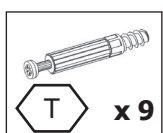
4



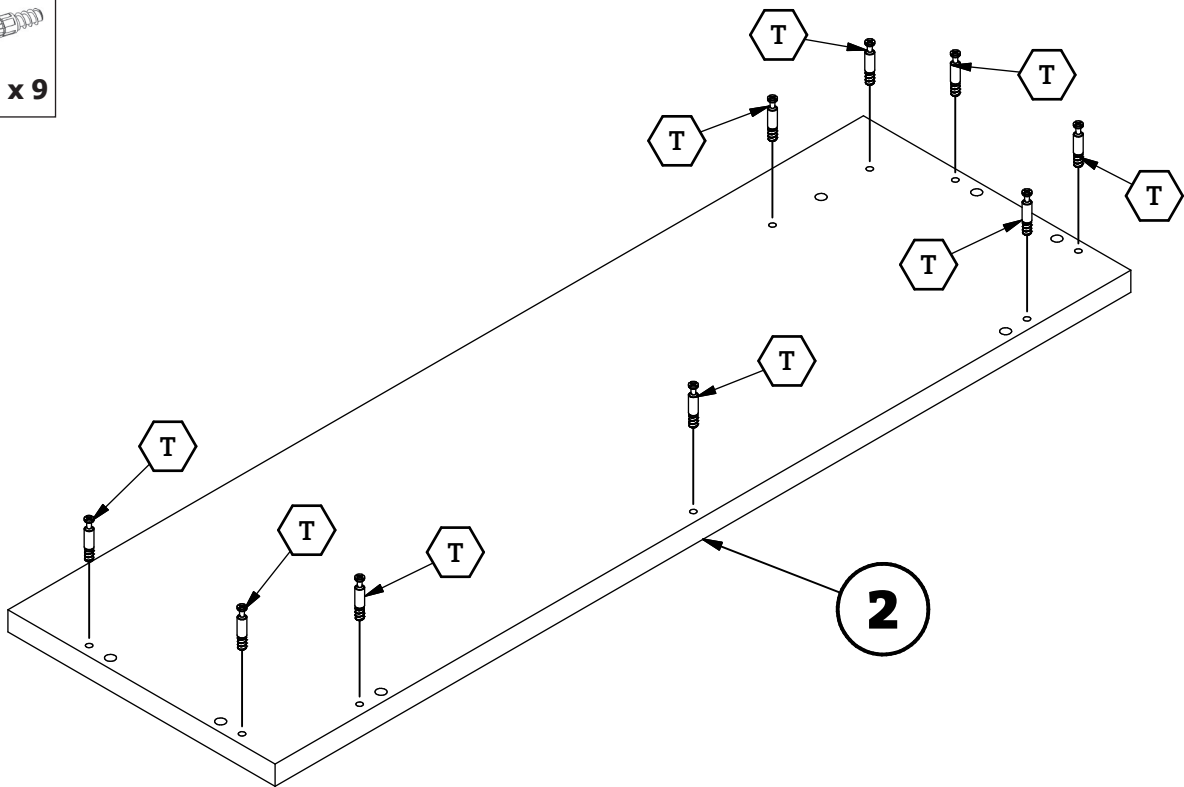
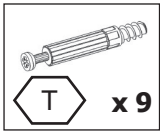
5



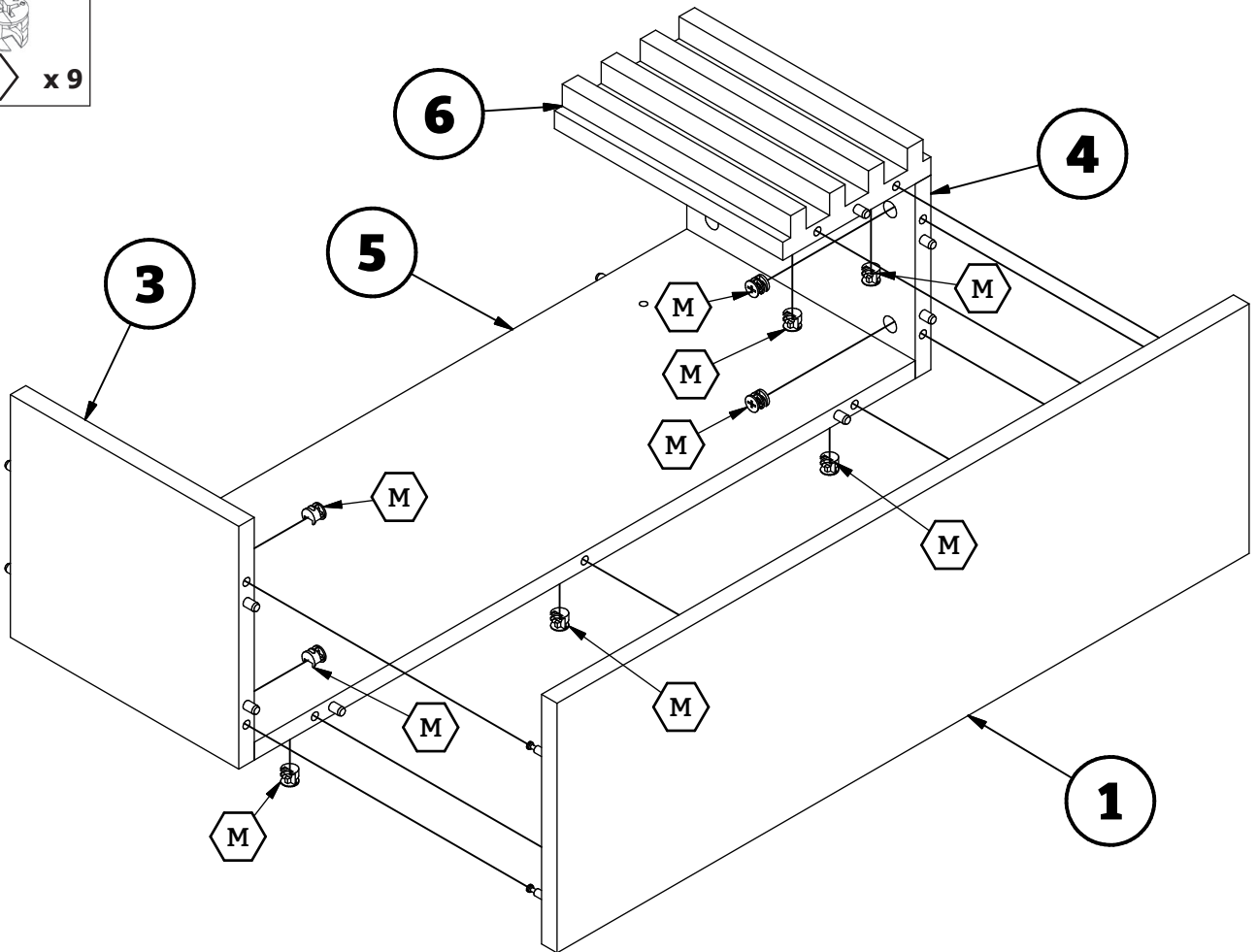
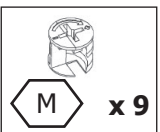
6



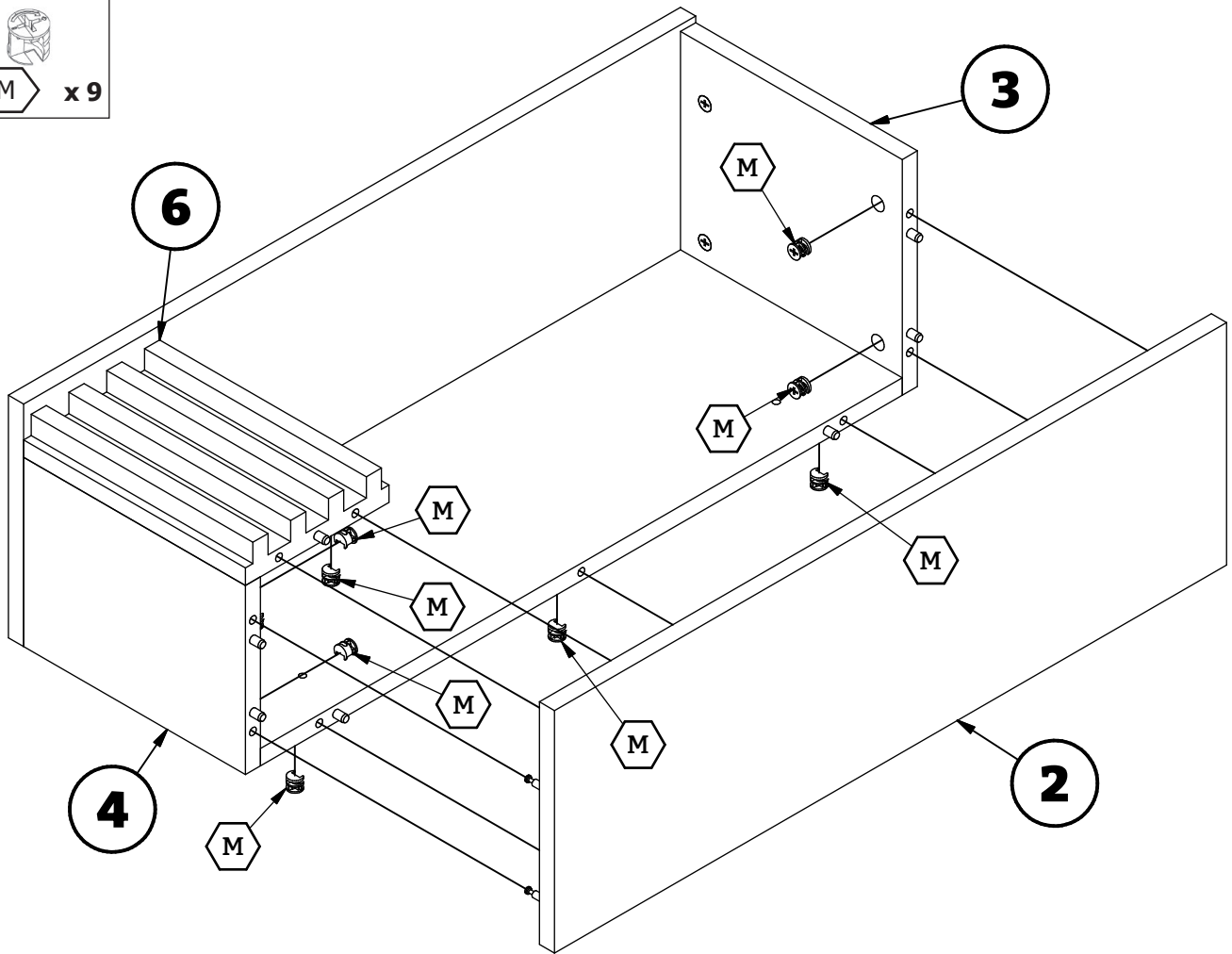
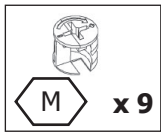
7



8



9



10

