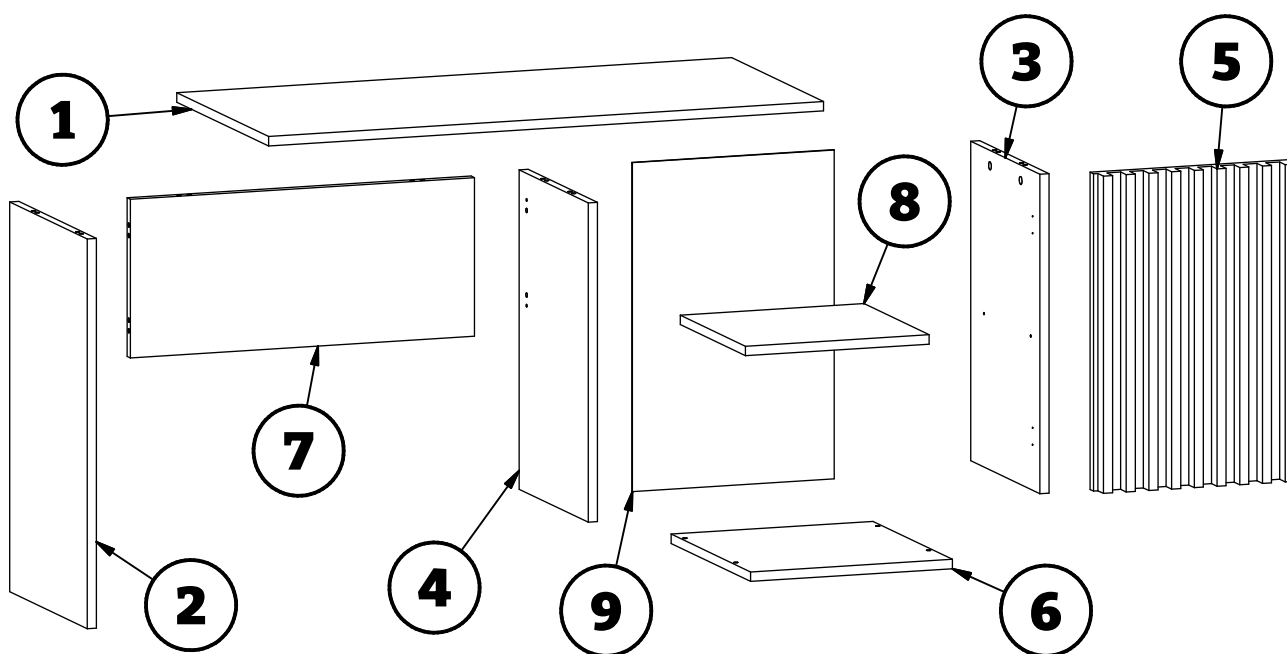
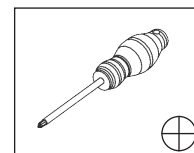
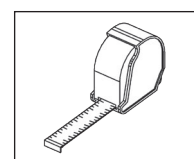
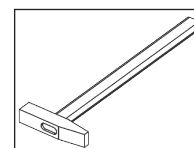
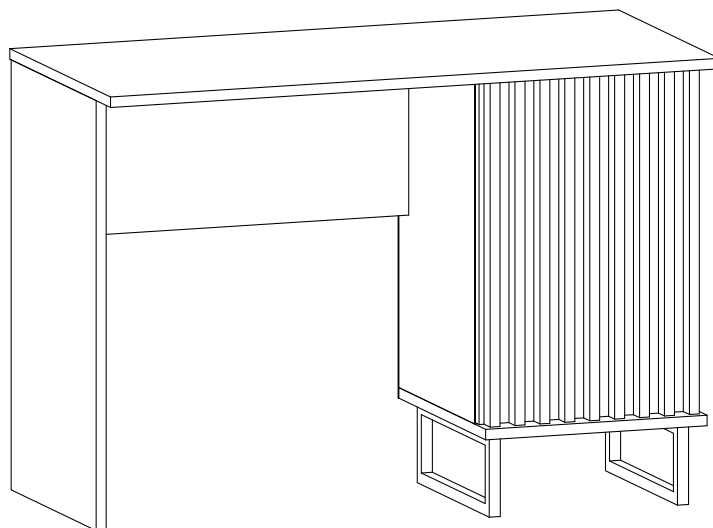


MALMO BIURKO

(113x50,2x76,5cm) - 31,7 kg



① **x1** 1100x500x18mm

② **x1** 737x422x18mm

③ **x1** 604x377x18mm

④ **x1** 604x 377x18mm










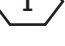
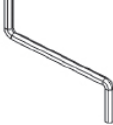

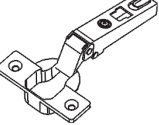





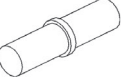





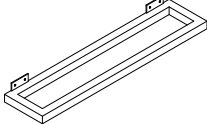
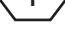
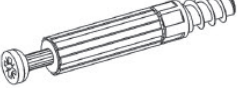



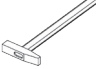








⑤ **x1** 600x396x48mm

⑥ **x1** 400x432x18mm

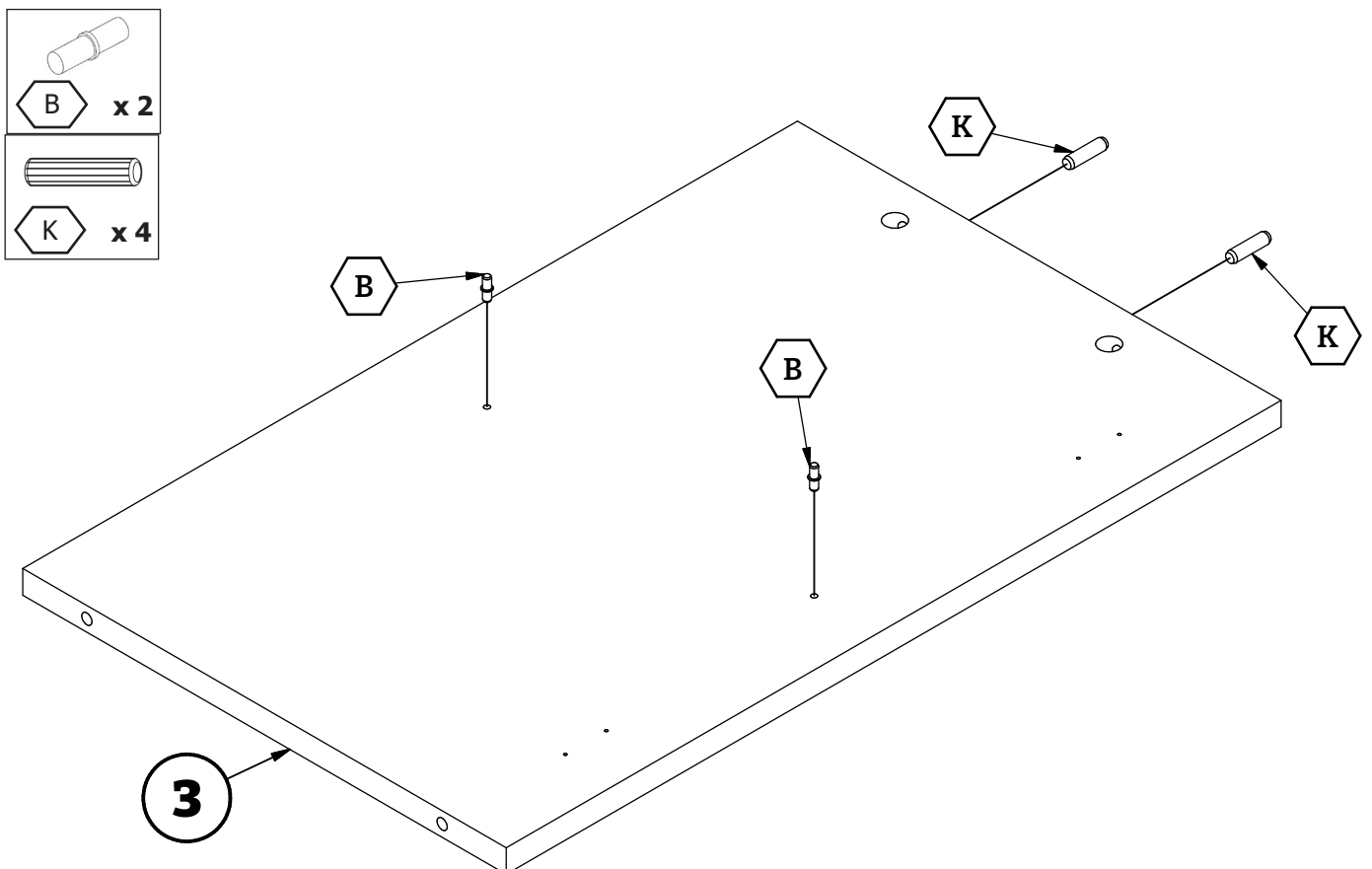
⑦ **x1** 679x300x18mm

⑧ **x1** 364x355x18mm

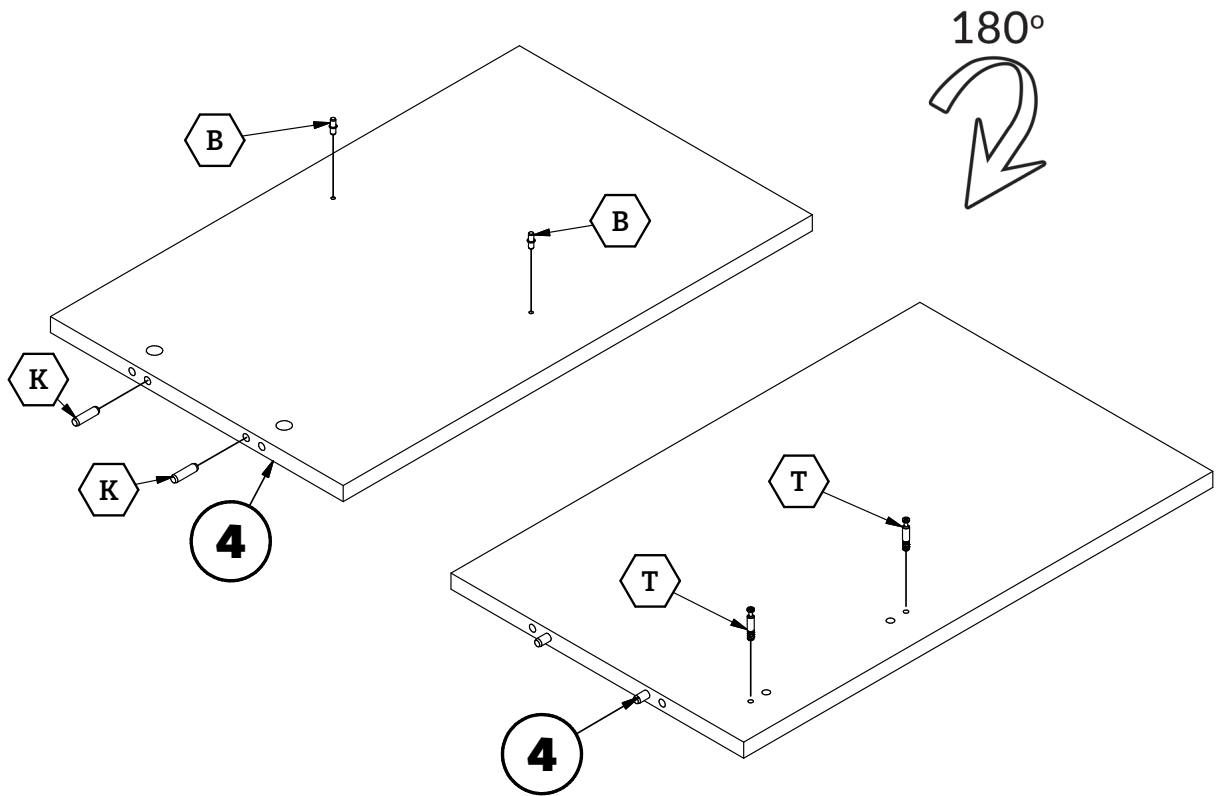
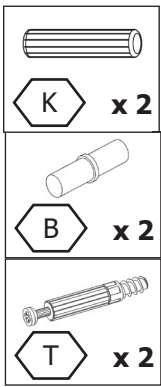
⑨ **x1** 620x396x3mm

   <p>x 12 $\Phi 8 \times 35 \text{mm}$</p>	   <p>x 8 $\Phi 4 \times 20 \text{mm}$</p>	   <p>x 4 $\Phi 4 \times 16 \text{mm}$</p>
  <p>x 1</p>	   <p>x 2</p>	   <p>x 4 $\Phi 3,5 \times 16 \text{mm}$</p>
   <p>x 4</p>	   <p>x 4 7×50</p>	  <p>x 2</p>
   <p>x 12</p>	   <p>x 33</p>	   <p>x 12</p>
  <p>x 2</p>	   <p>x 12</p>	

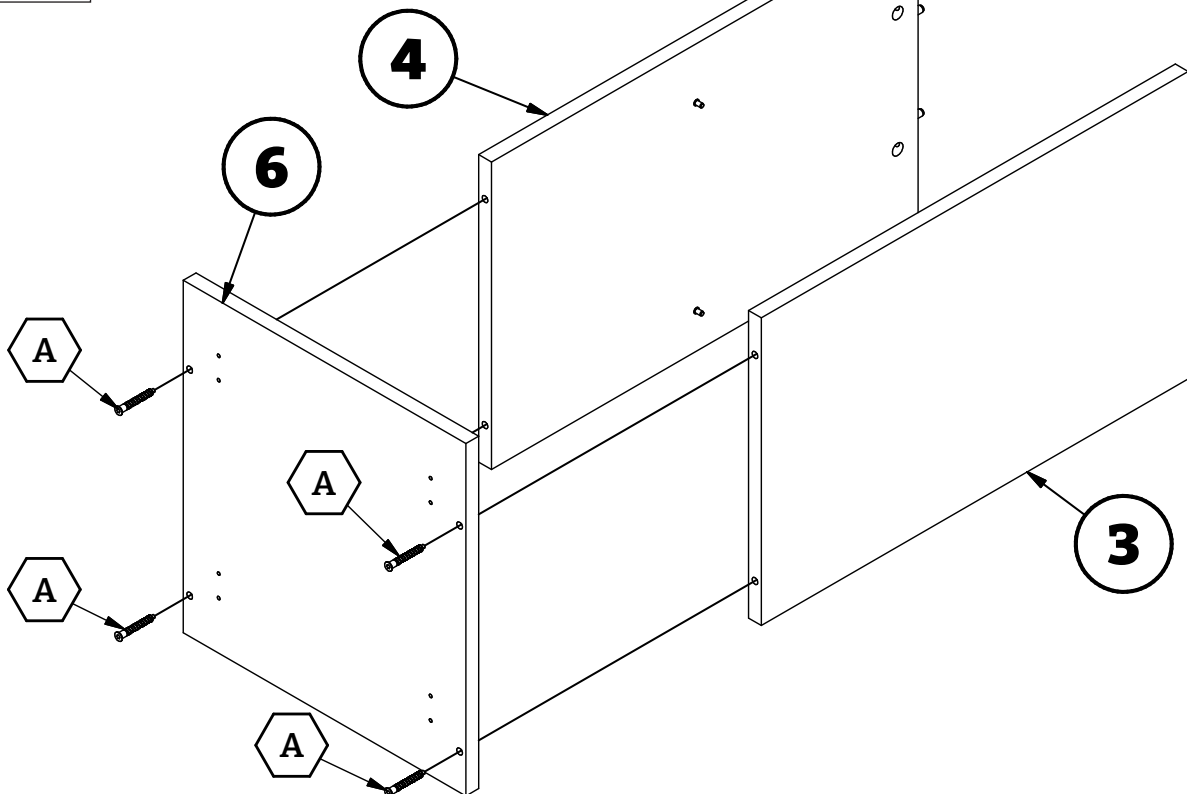
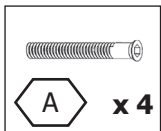
1

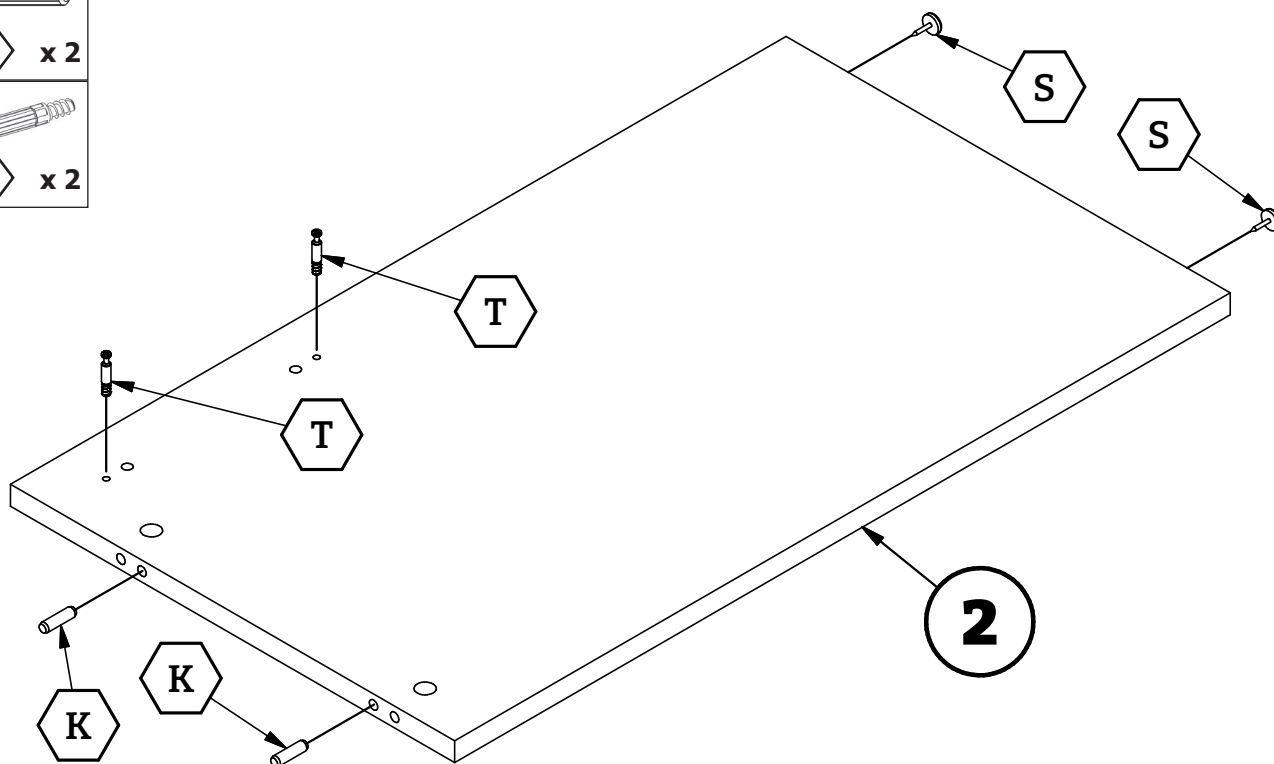
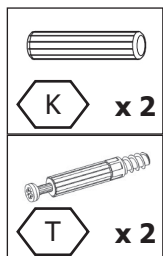
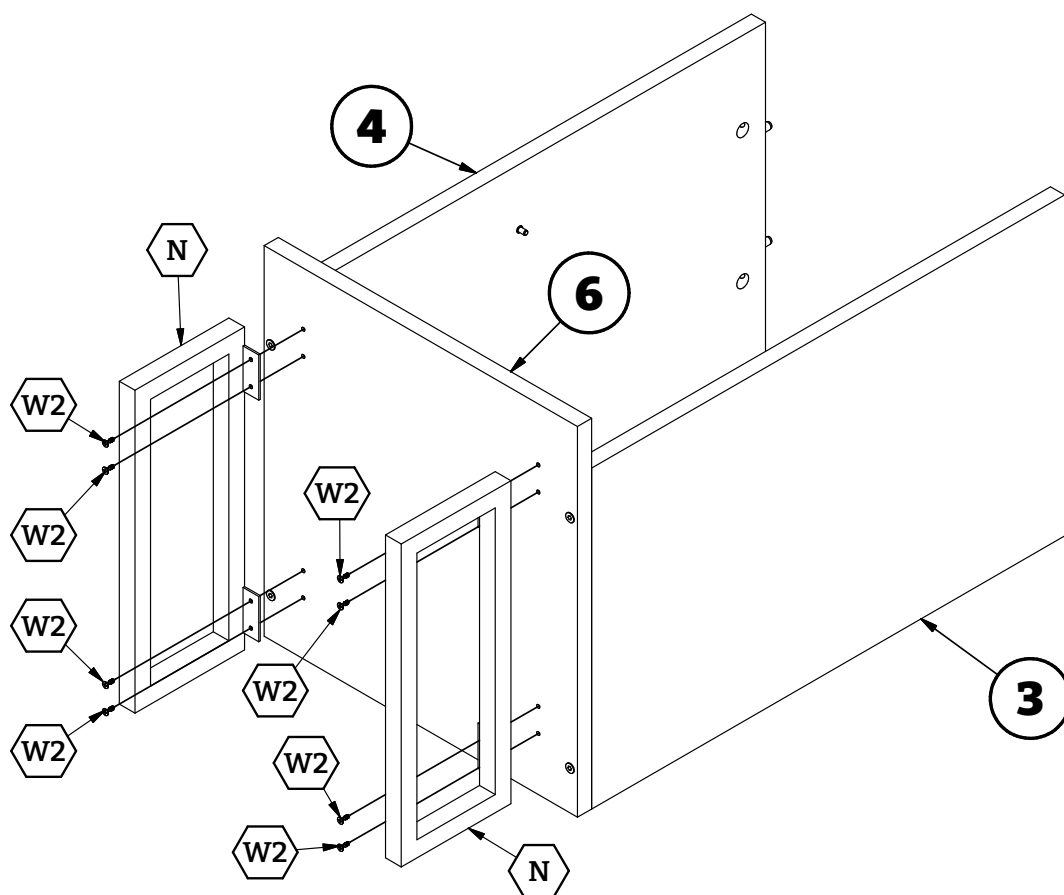
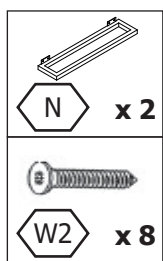


2

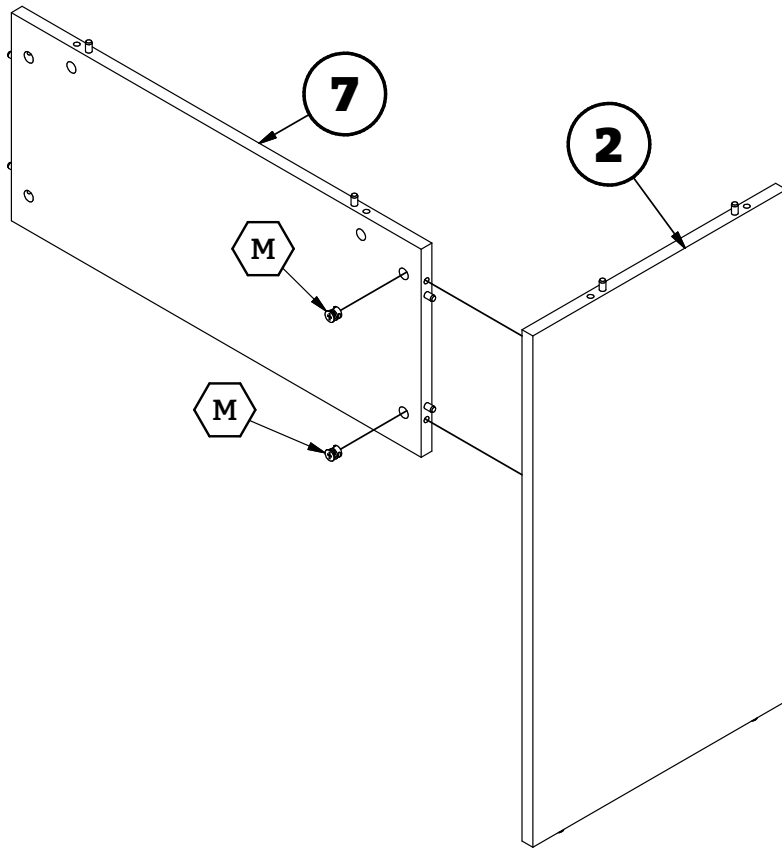
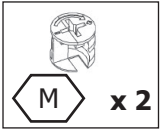


3

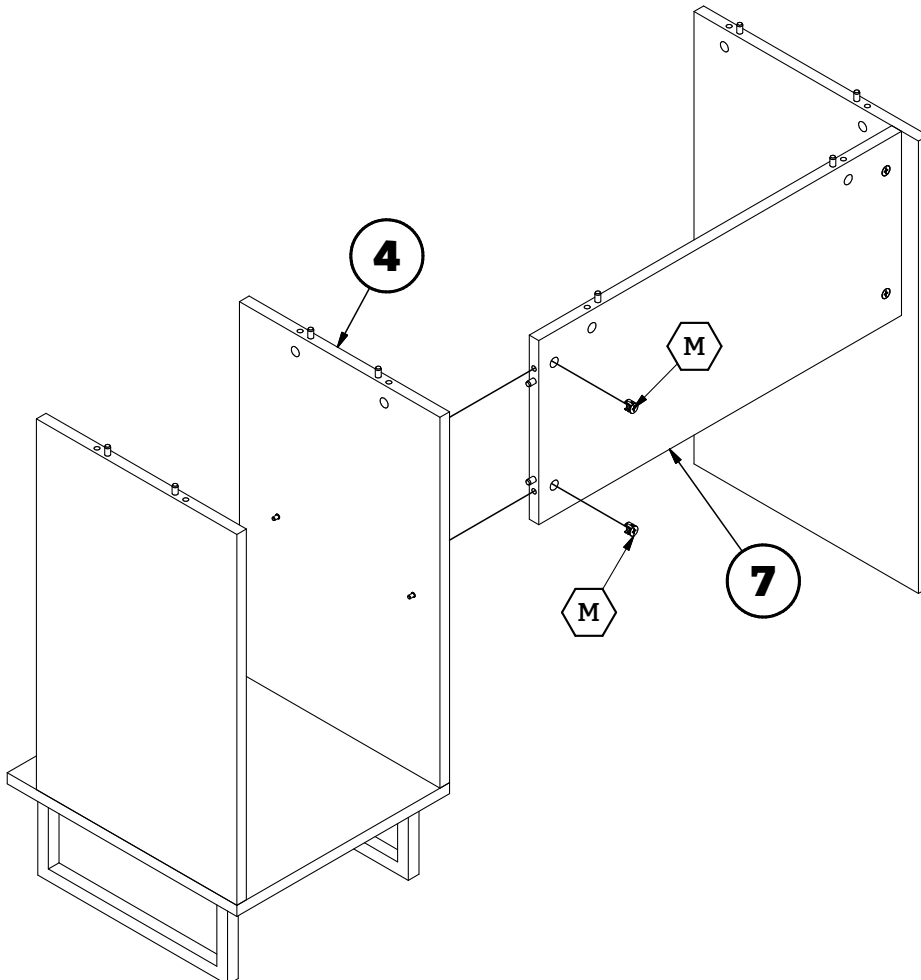
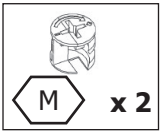


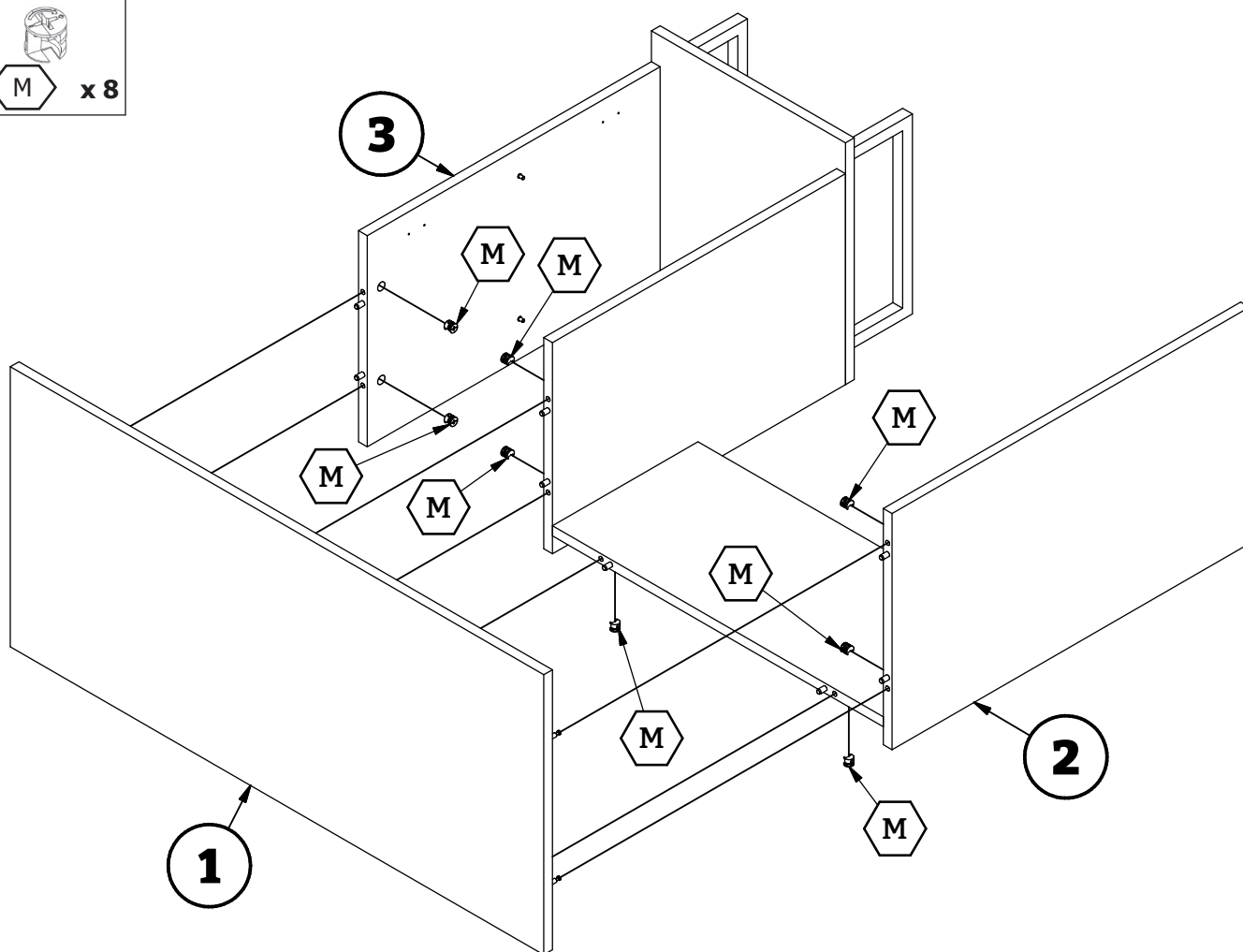
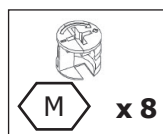
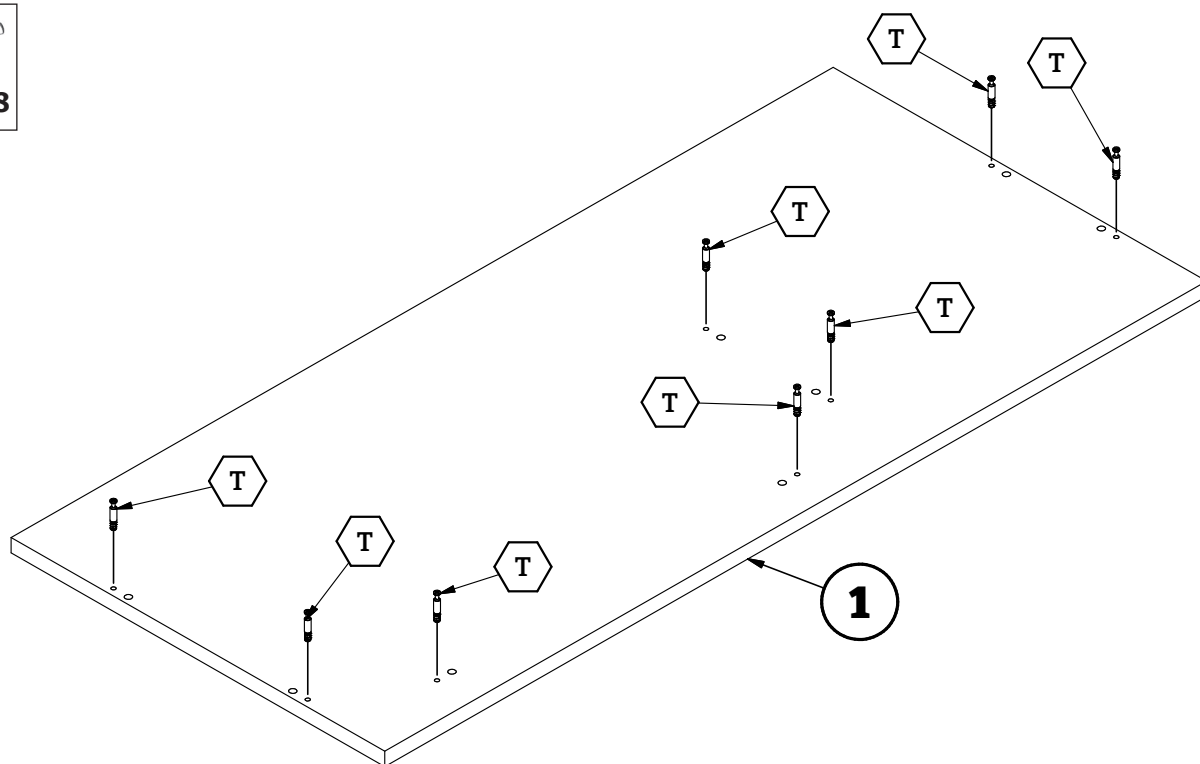
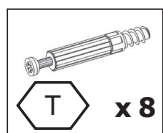


6

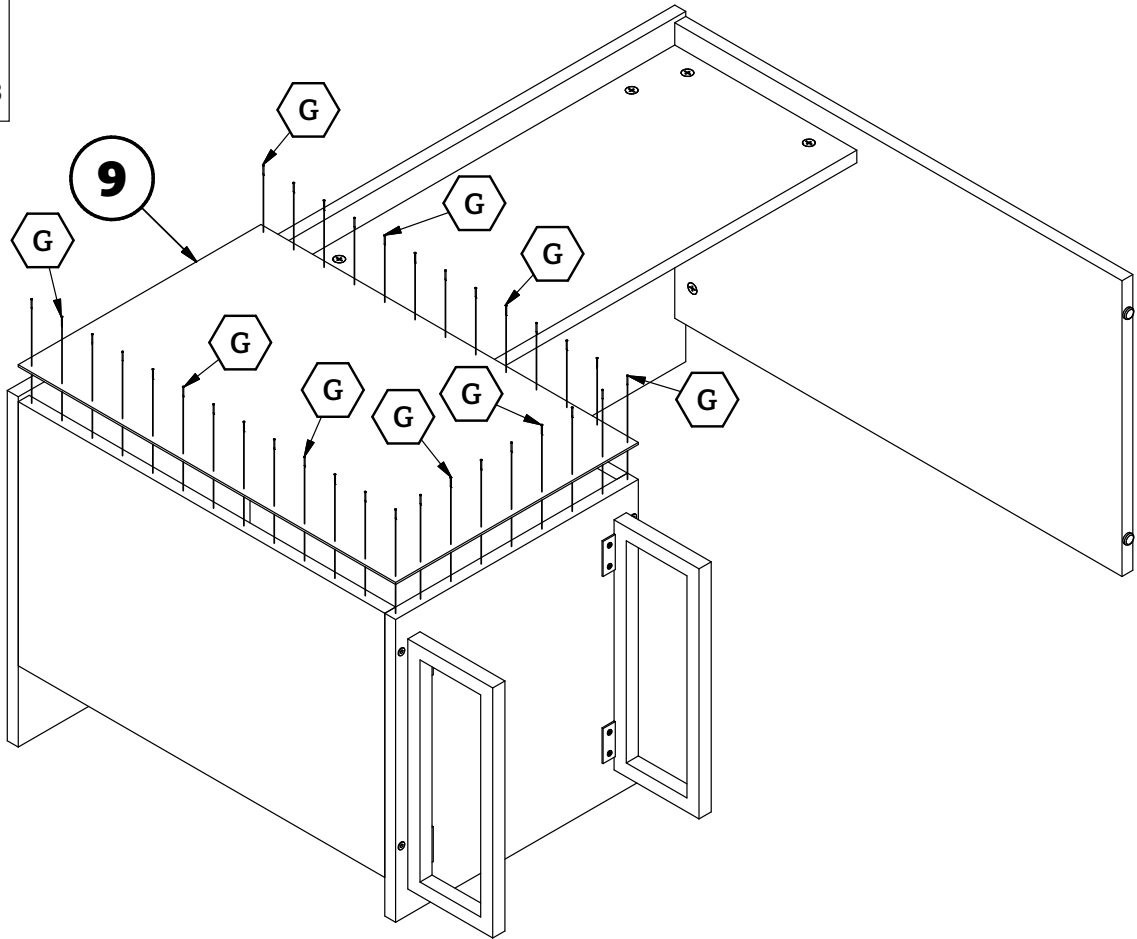
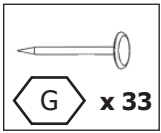


7

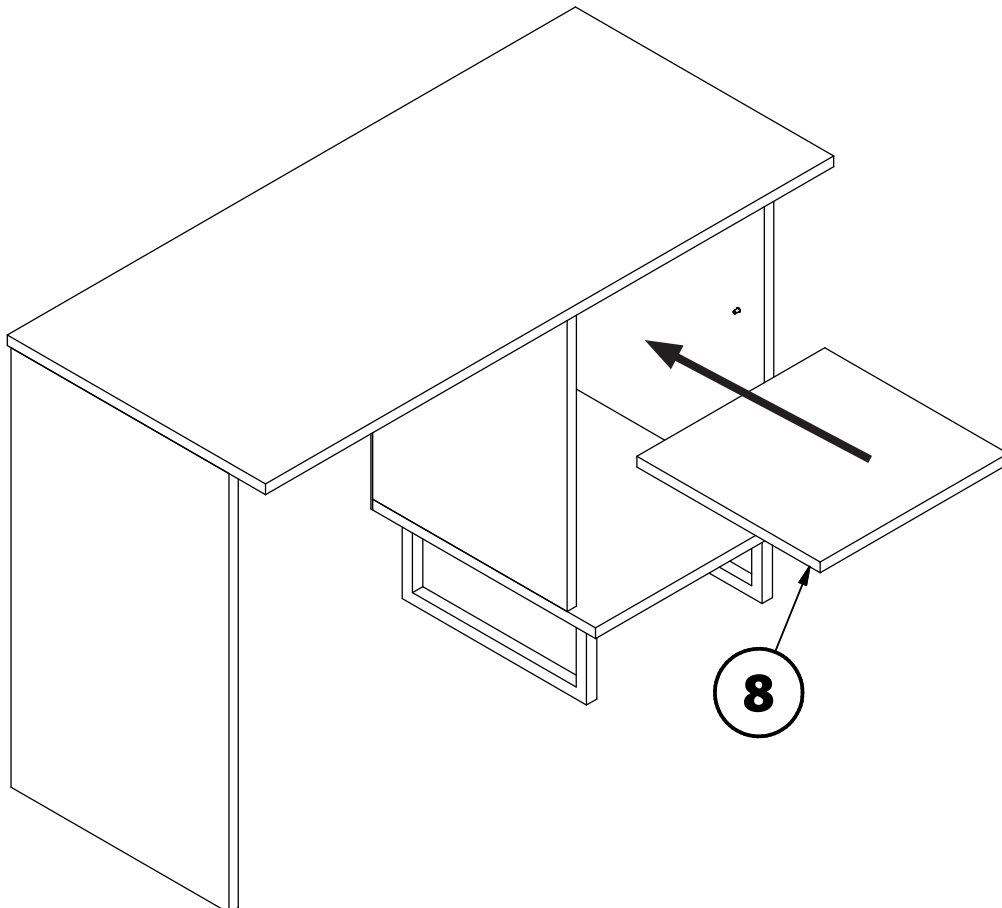




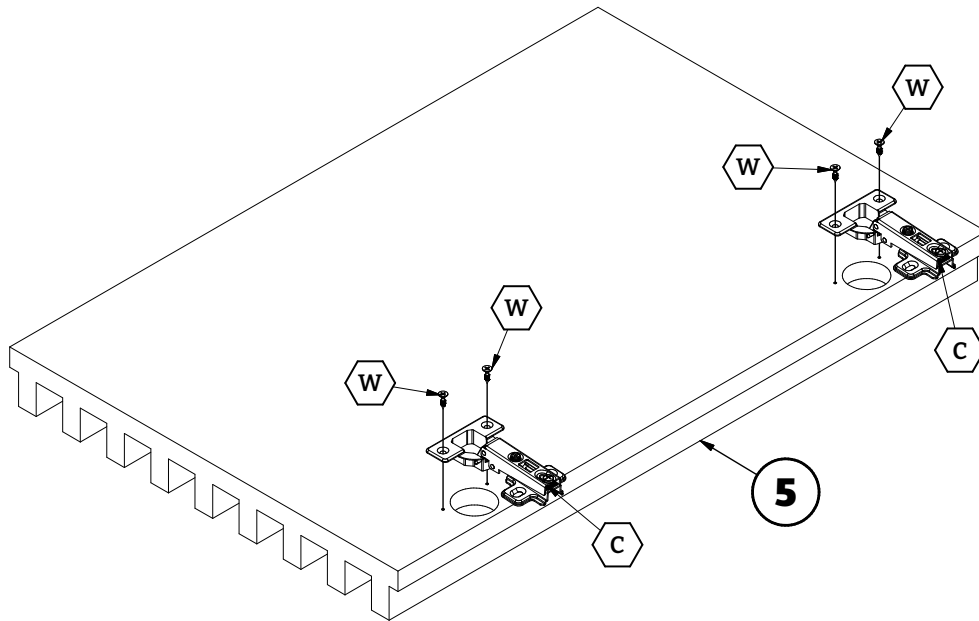
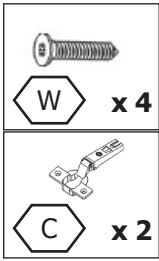
10



11



12



13

