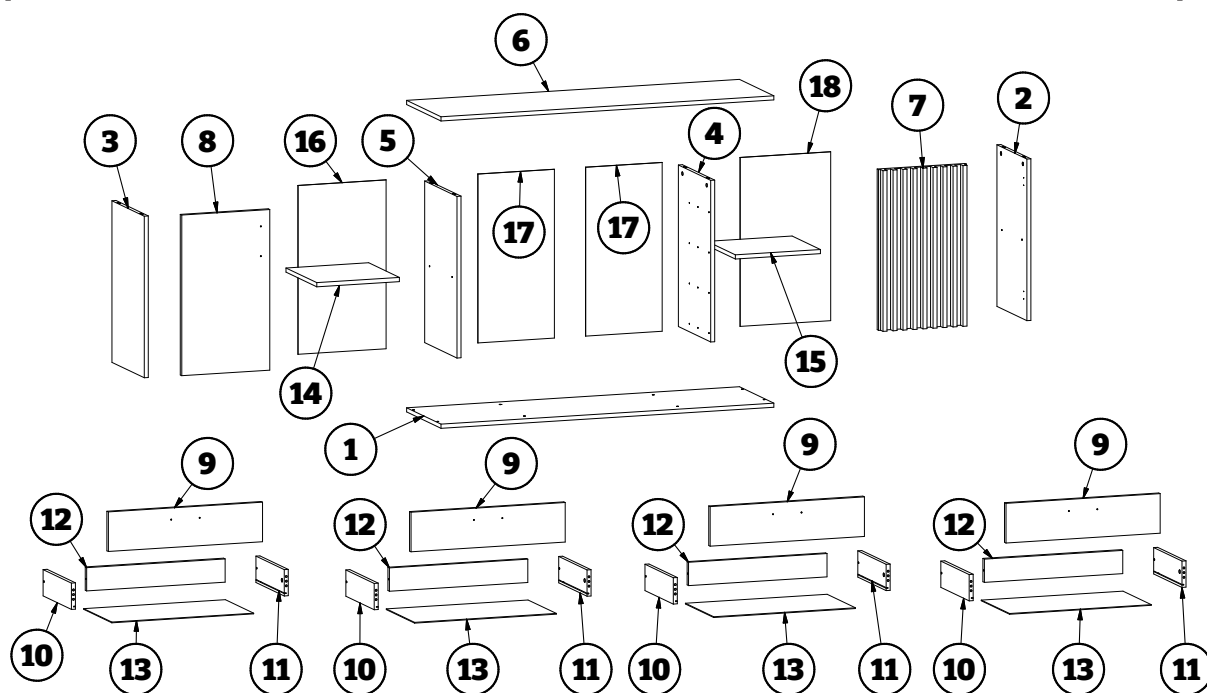
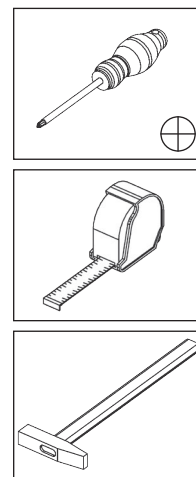
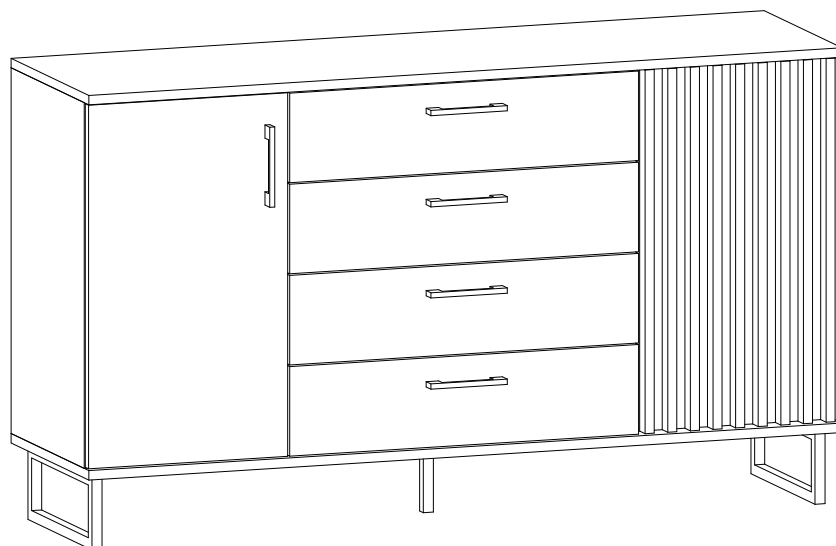





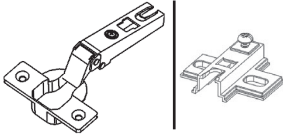

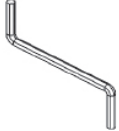
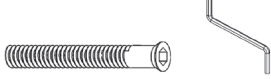

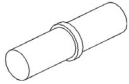


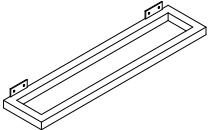
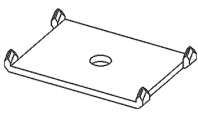
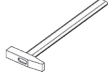


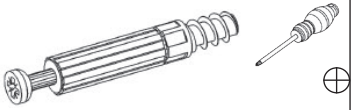


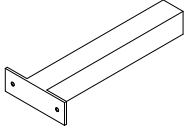

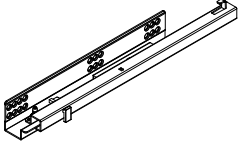


MALMO KOMODA 2D4S

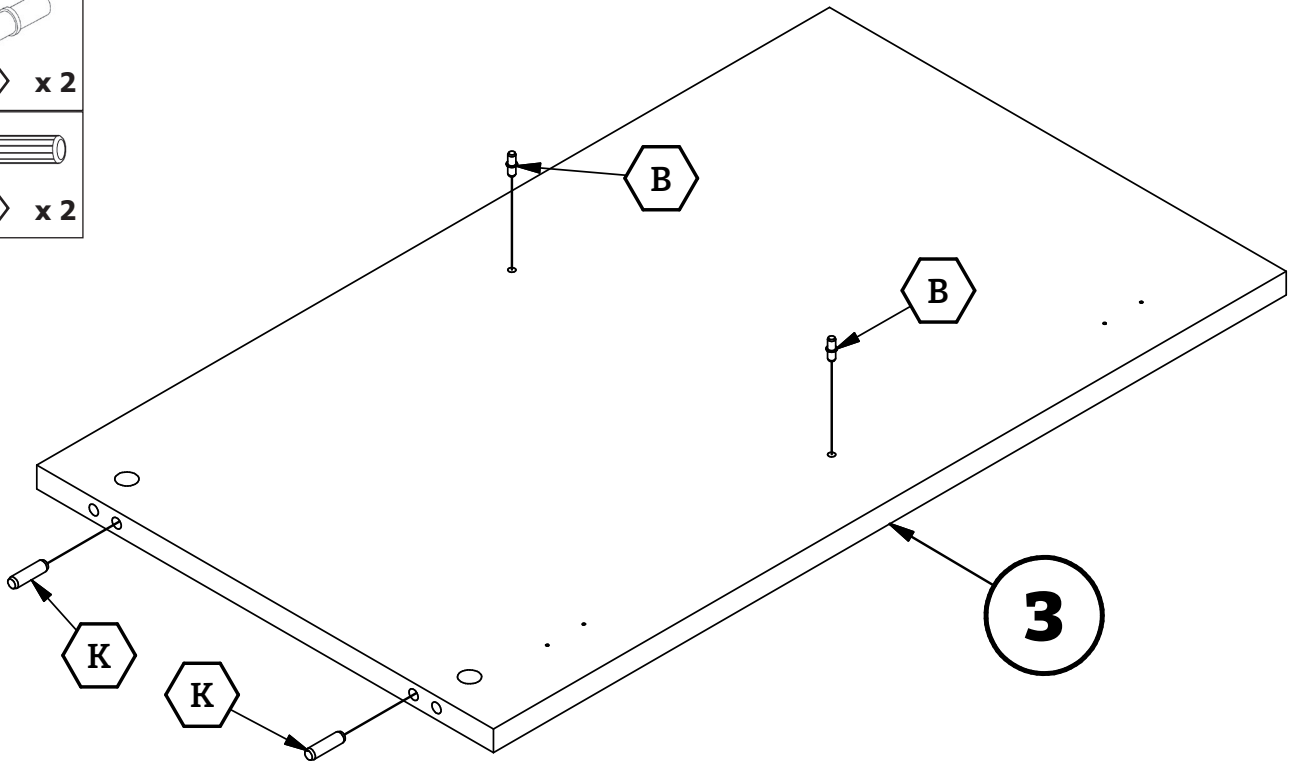
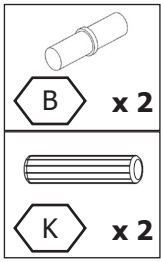
(153x85x43cm) - 68.4 kg



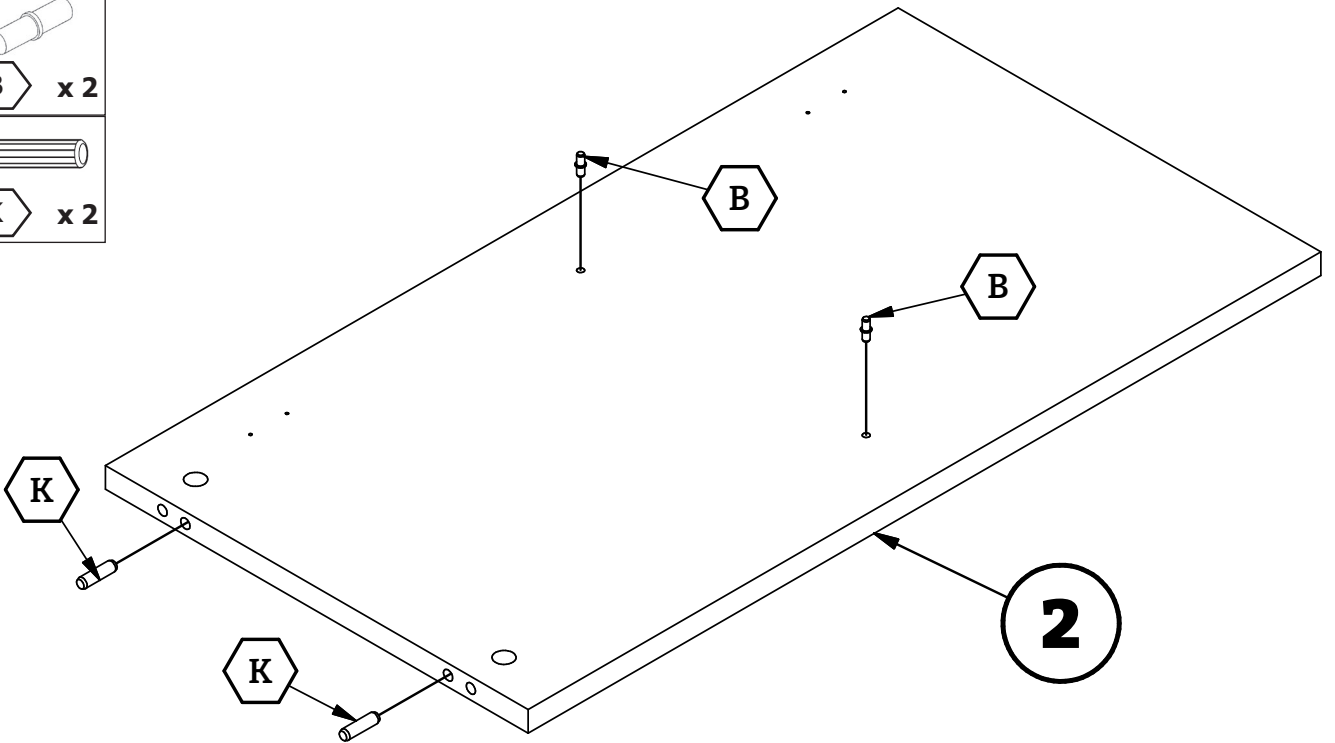
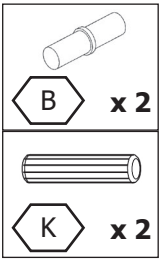
- | | | |
|---------------------------|--------------------------|---------------------------|
| ① x1 1500x425x18mm | ② x1 694x370x18mm | ③ x1 694x400x18mm |
| ④ x1 694x400x18mm | ⑤ x1 694x400x18mm | ⑥ x1 1500x425x18mm |
| ⑦ x1 690x396x48mm | ⑧ x1 690x396x18mm | ⑨ x4 170x694x18mm |
| ⑩ x4 350x113x16mm | ⑪ x4 350x113x16mm | ⑫ x4 628x100x16mm |
| ⑬ x4 640x357x3mm | ⑭ x1 372x380x18mm | ⑮ x1 383x370x18mm |
| ⑯ x1 725x395x3mm | ⑰ x2 725x345x3mm | ⑱ x1 725x406x3mm |

| | | |
|--|---|--|
| <p>K</p>   <p>x 24 $\Phi 8 \times 35 \text{mm}$</p> | <p>W2</p>  <p>x 10 $\Phi 4 \times 20 \text{mm}$</p> | <p>U</p>  <p>x 5</p> |
| <p>U1</p>  <p>x 10</p> | <p>C</p>  <p>x 4</p> | <p>W1</p>  <p>x 8 $\Phi 4 \times 16 \text{mm}$</p> |
| <p>I</p>  <p>x 1</p> | <p>A</p>  <p>x 16 7×50</p> | <p>W</p>  <p>x 32 $\Phi 3,5 \times 16 \text{mm}$</p> |
| <p>B</p>   <p>x 8</p> | <p>G</p>  <p>x 88</p> | <p>N</p>  <p>x 2</p> |
| <p>G2</p>   <p>x 10</p> | <p>M</p>   <p>x 16</p> | <p>T</p>  <p>x 16</p> |
| <p>M2</p>   <p>x 16</p> | <p>N2</p>  <p>x 1</p> | <p>L</p>  <p>x 1</p> |
| <p>P</p>  <p>x 4</p> | | |

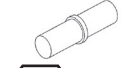


1

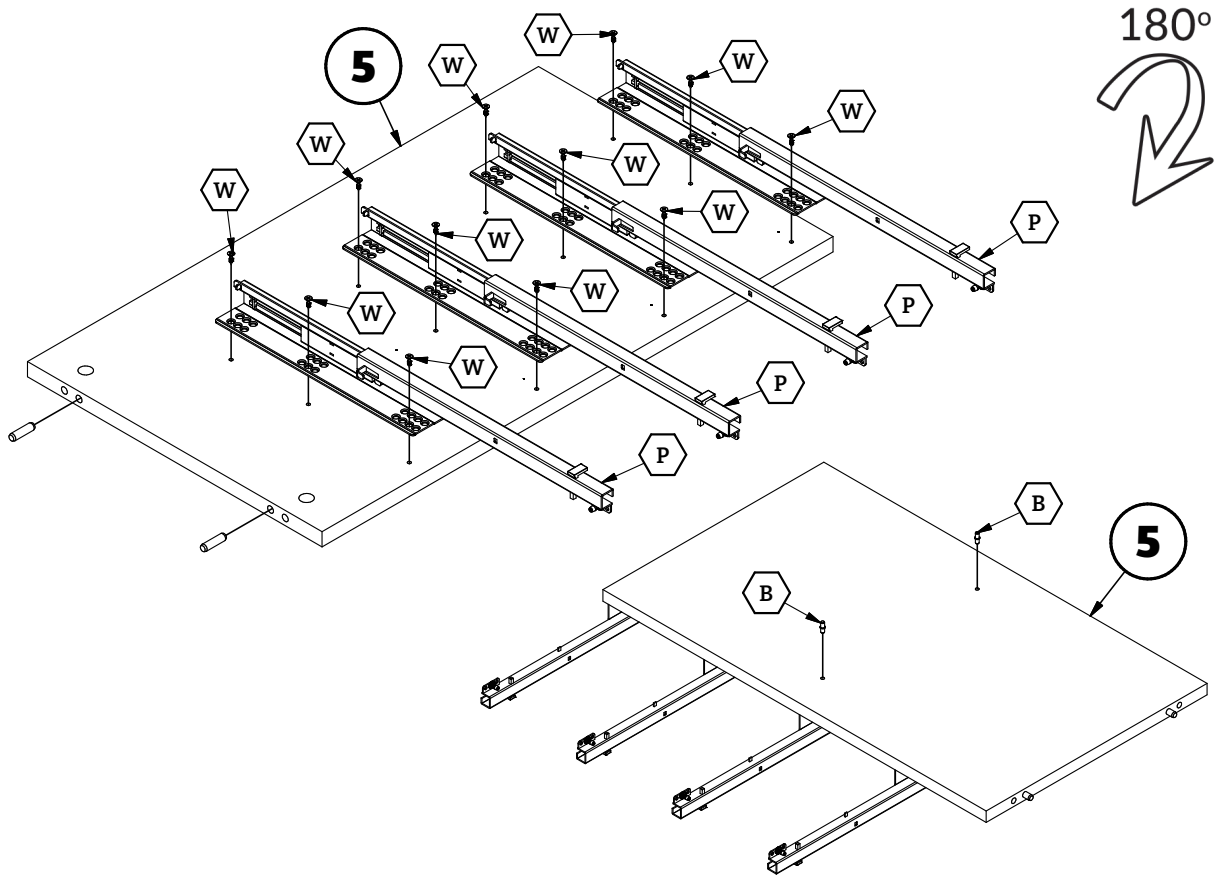


2

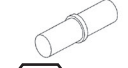




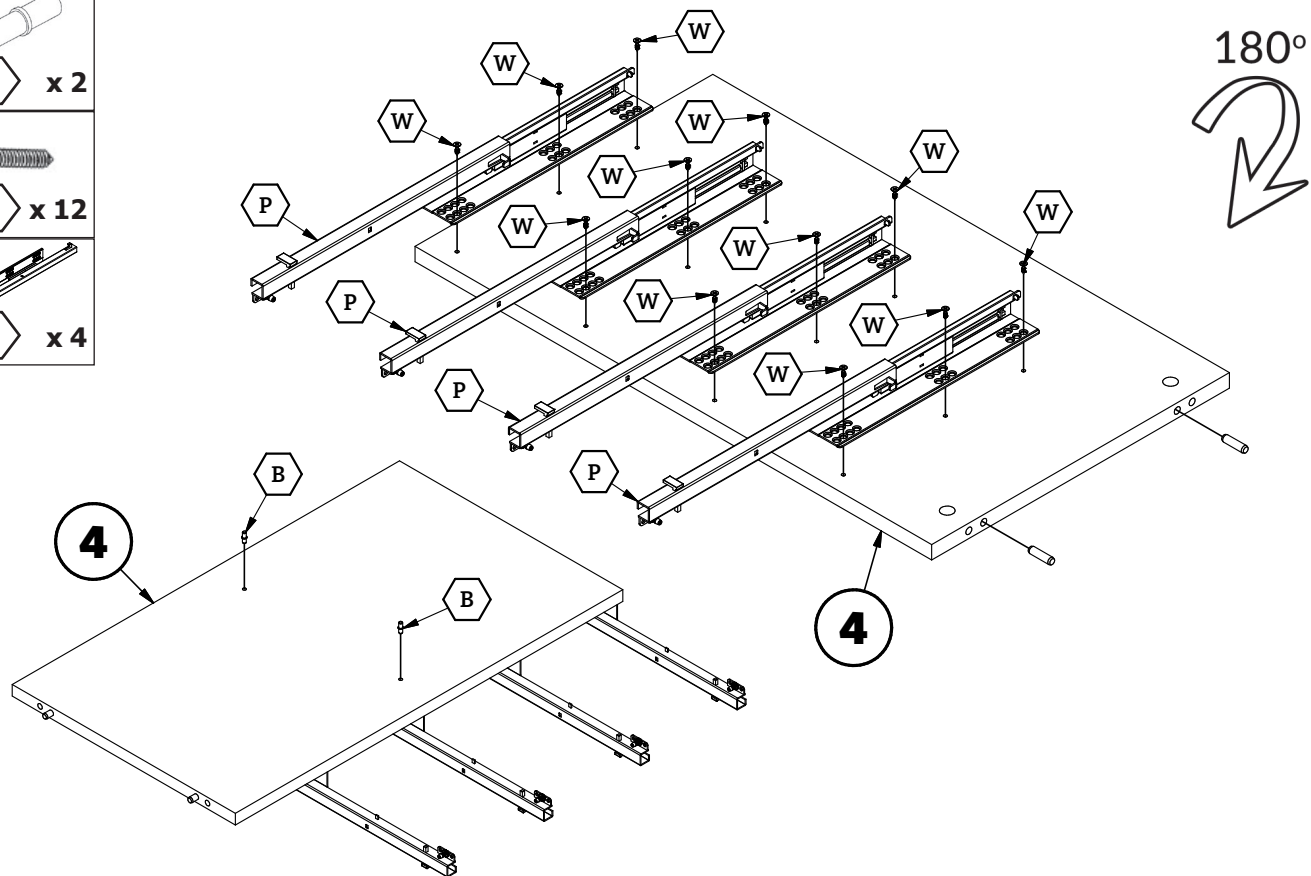
3

-  **B** x 2
-  **W** x 12
-  **P** x 4

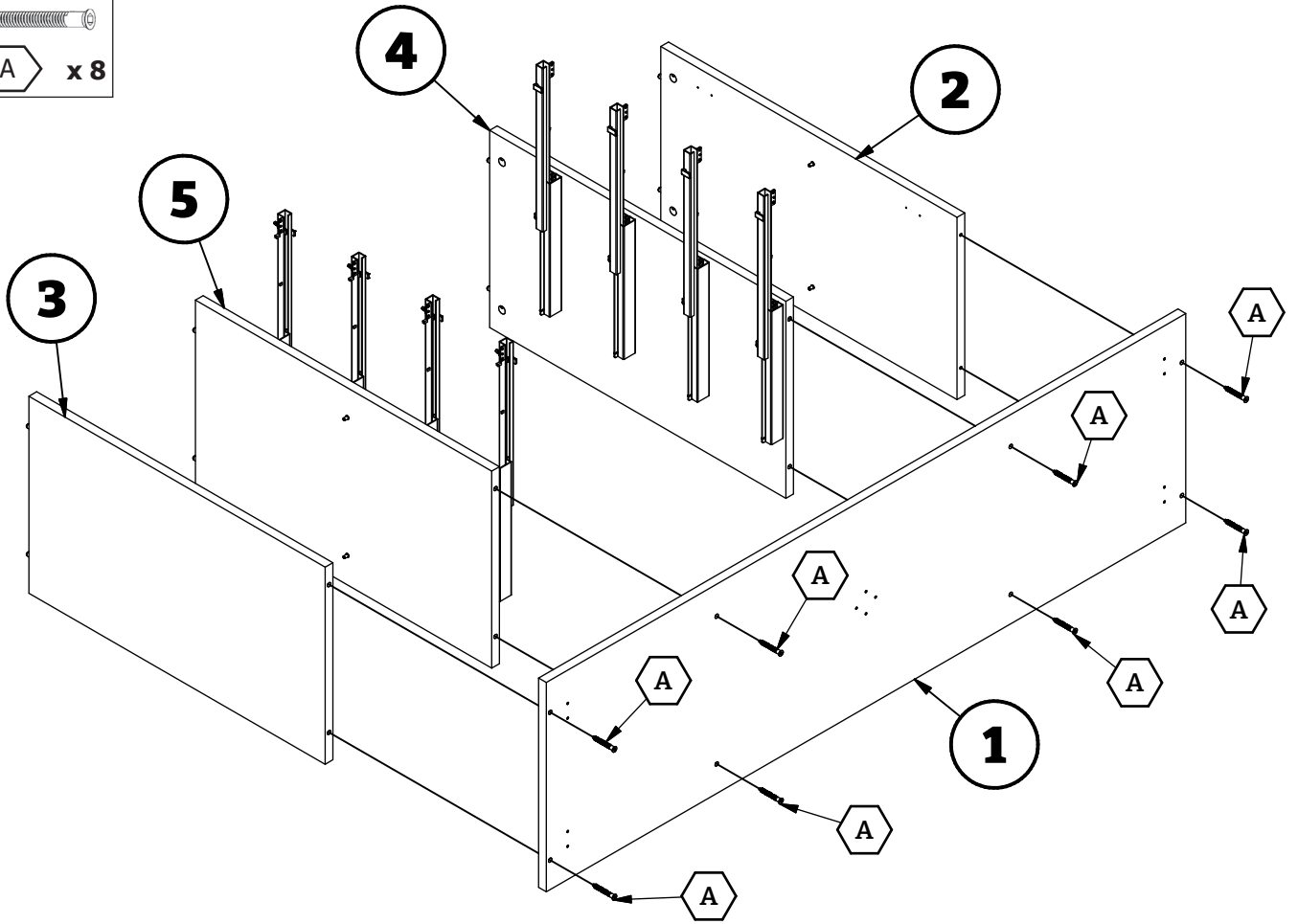
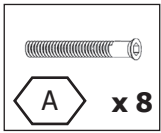


4

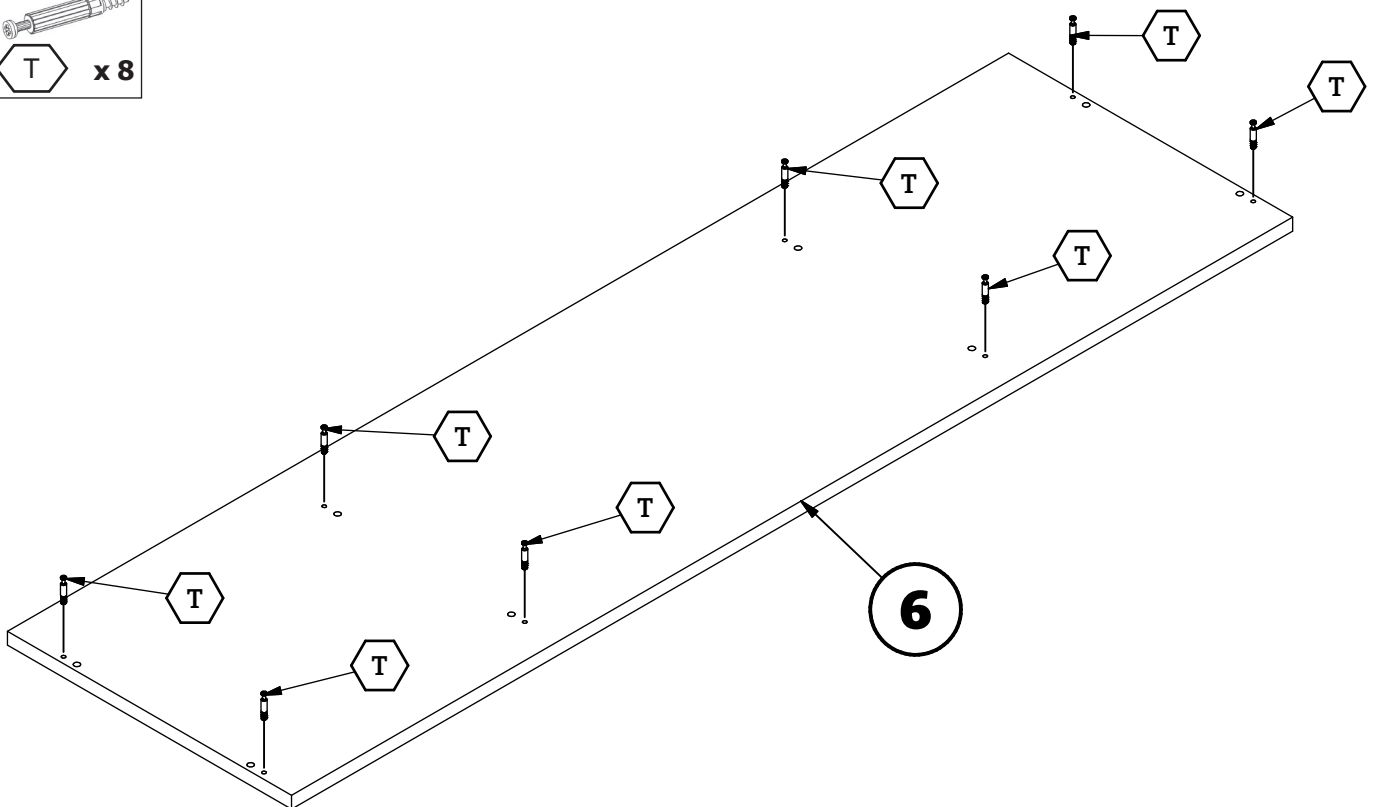
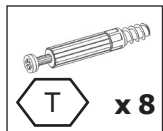
-  **B** x 2
-  **W** x 12
-  **P** x 4



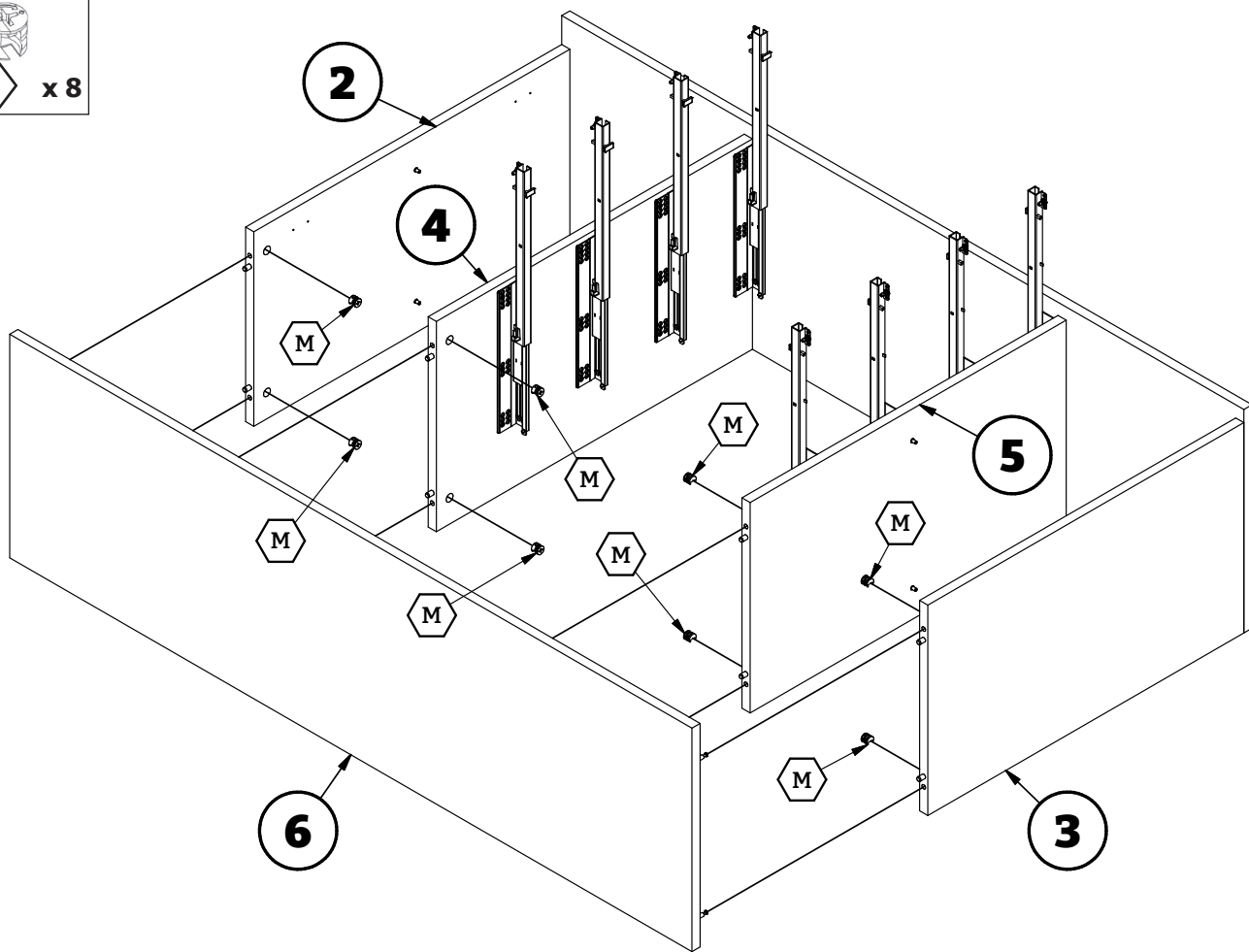
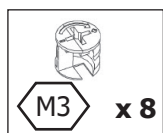
5



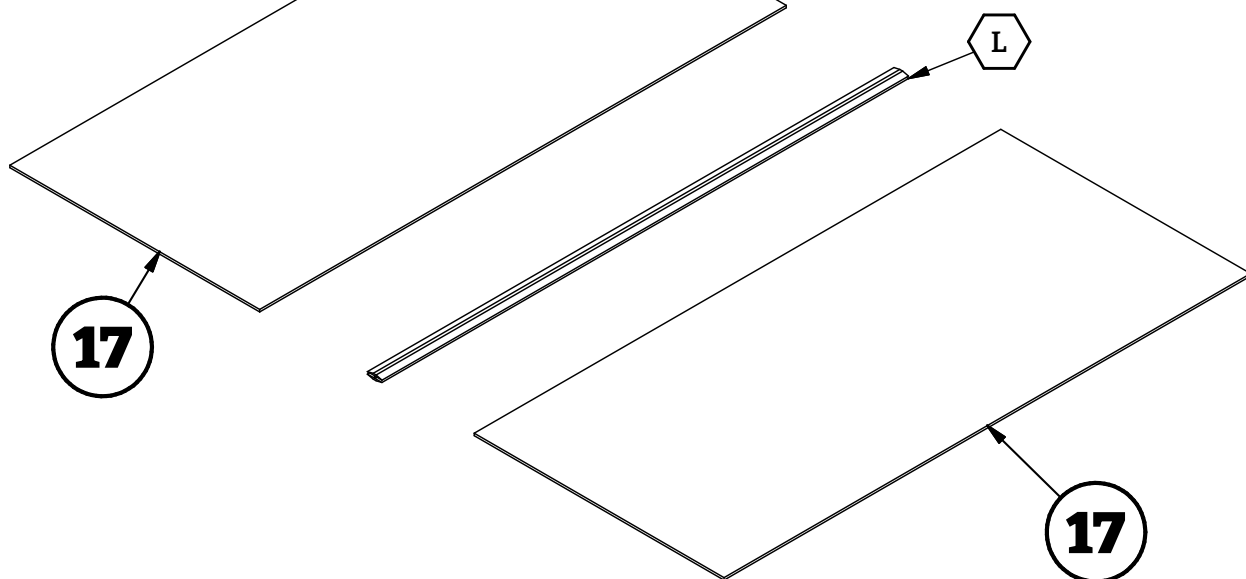
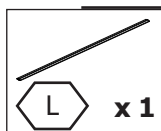
6

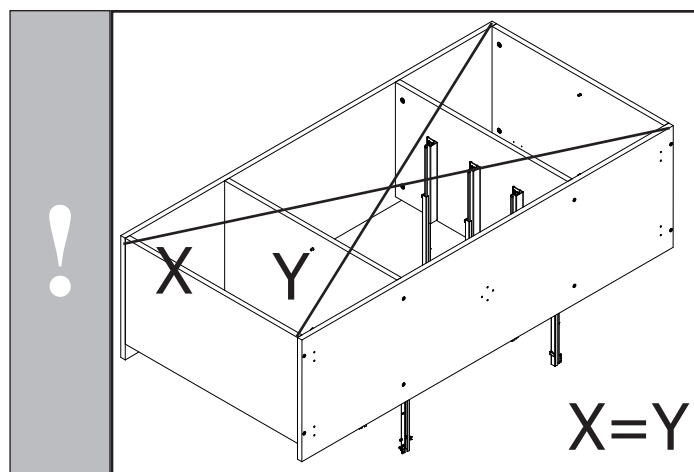
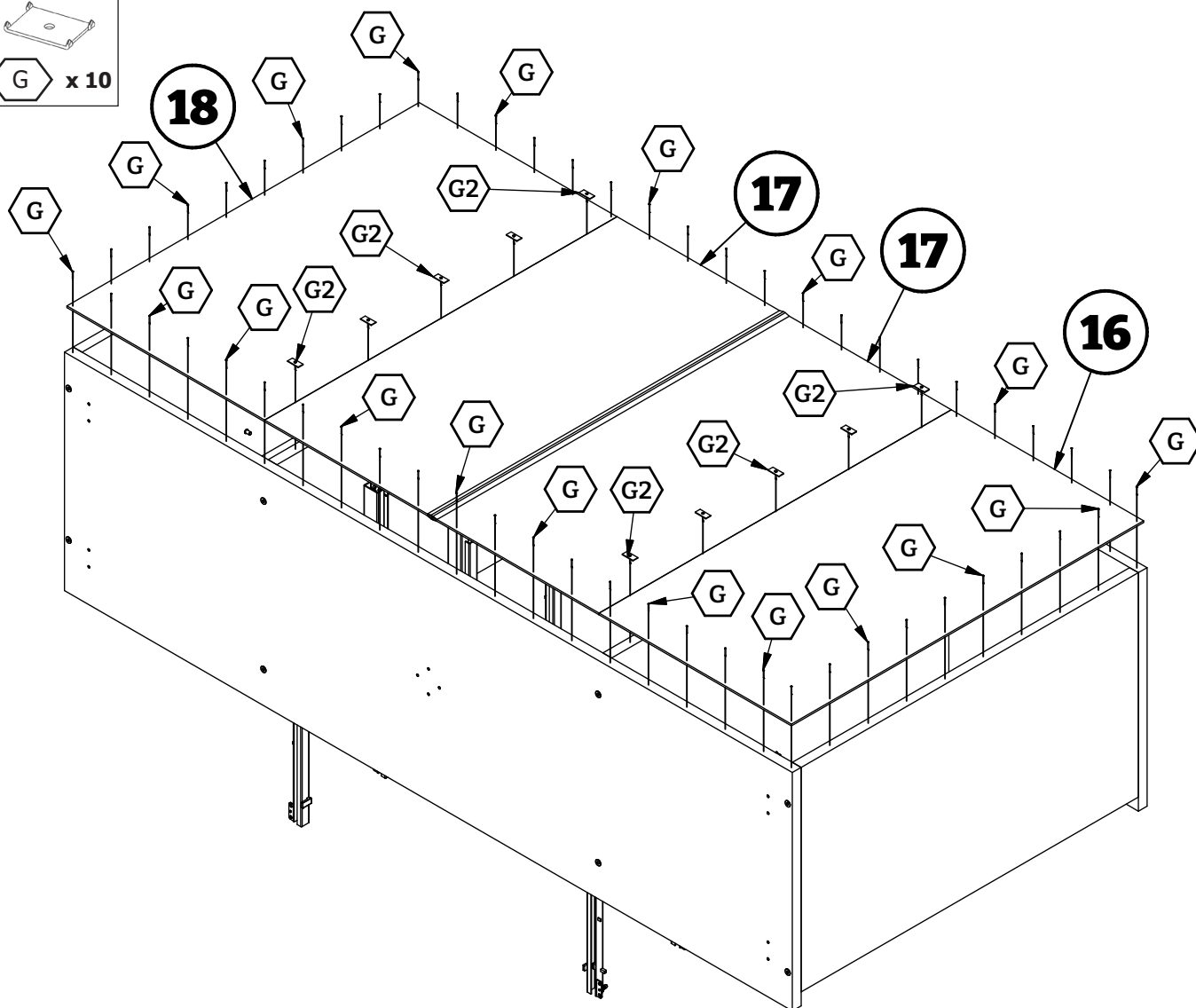
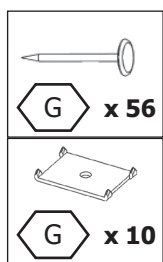


7

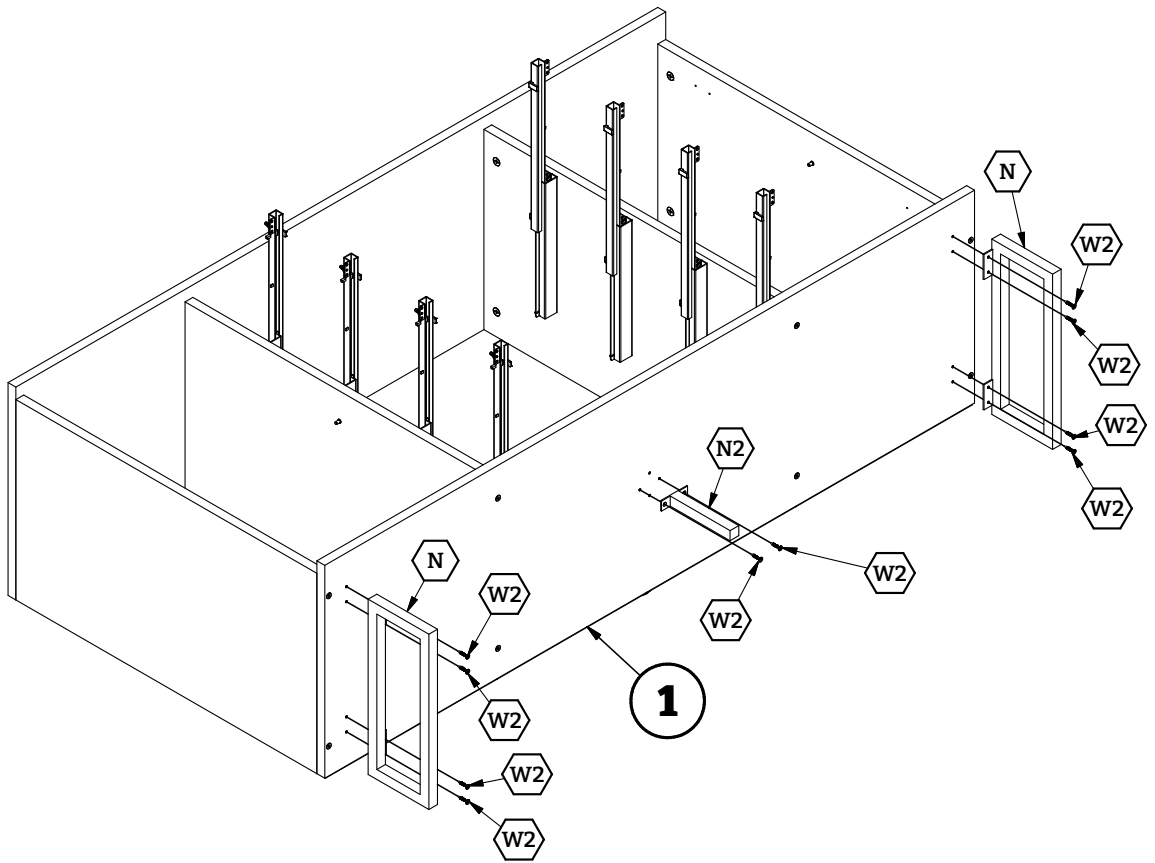
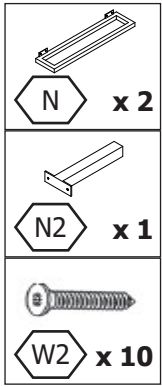


8

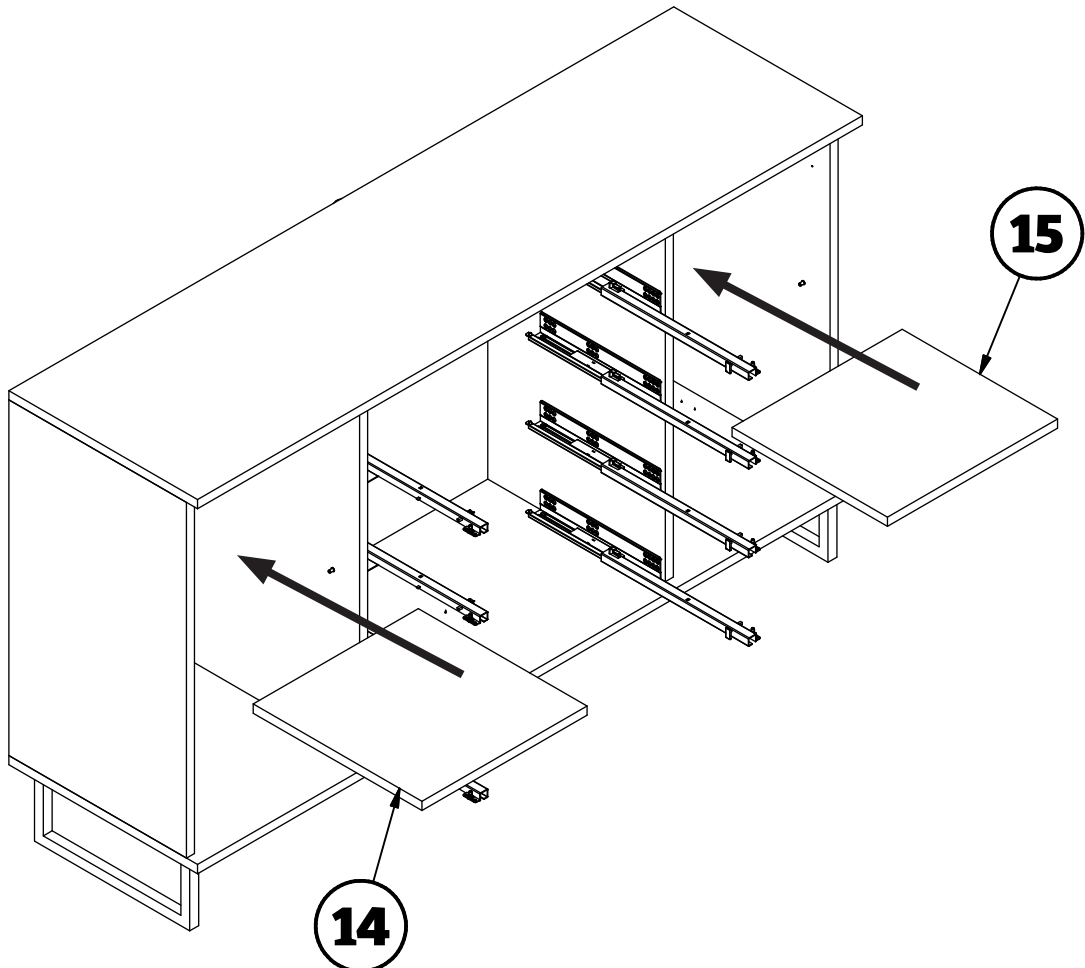





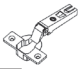


10

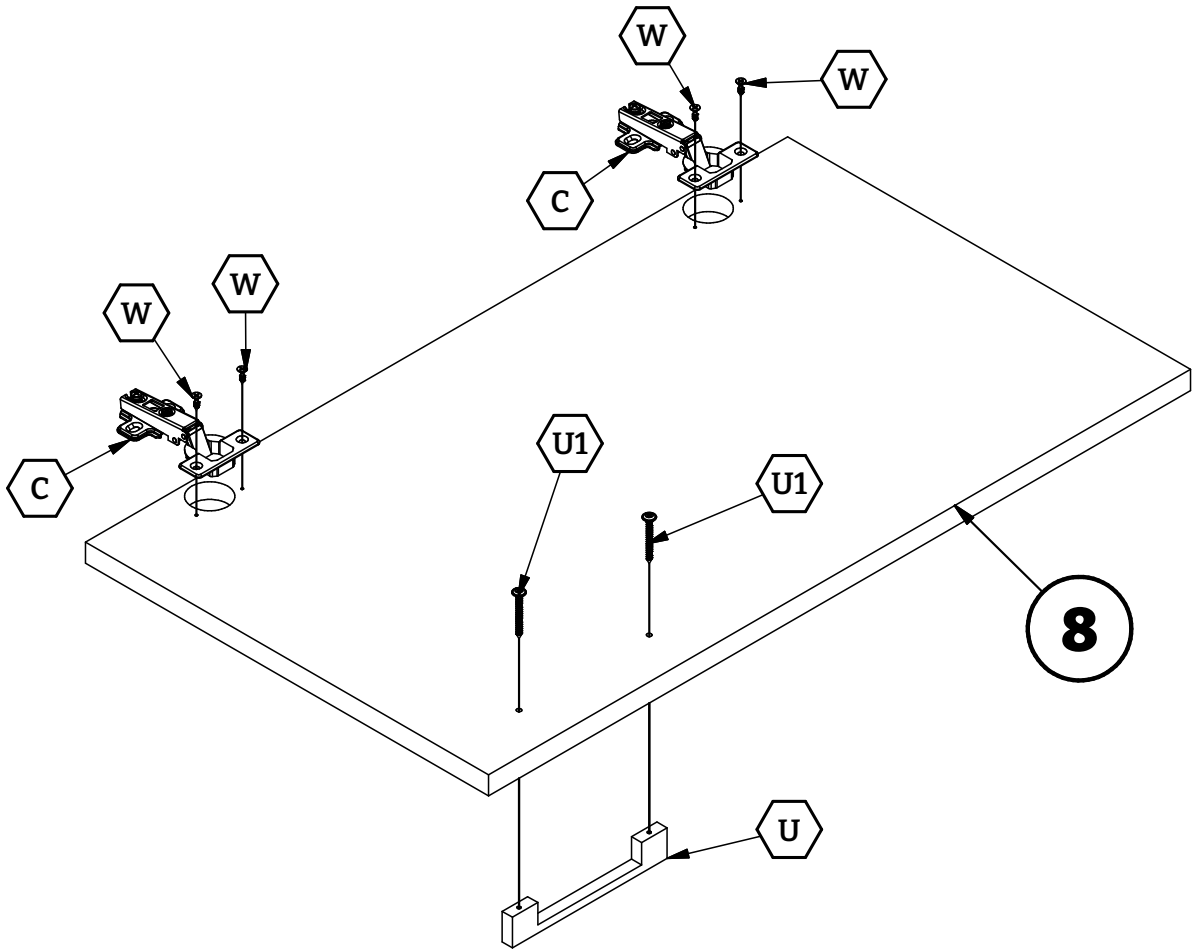


11


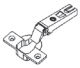


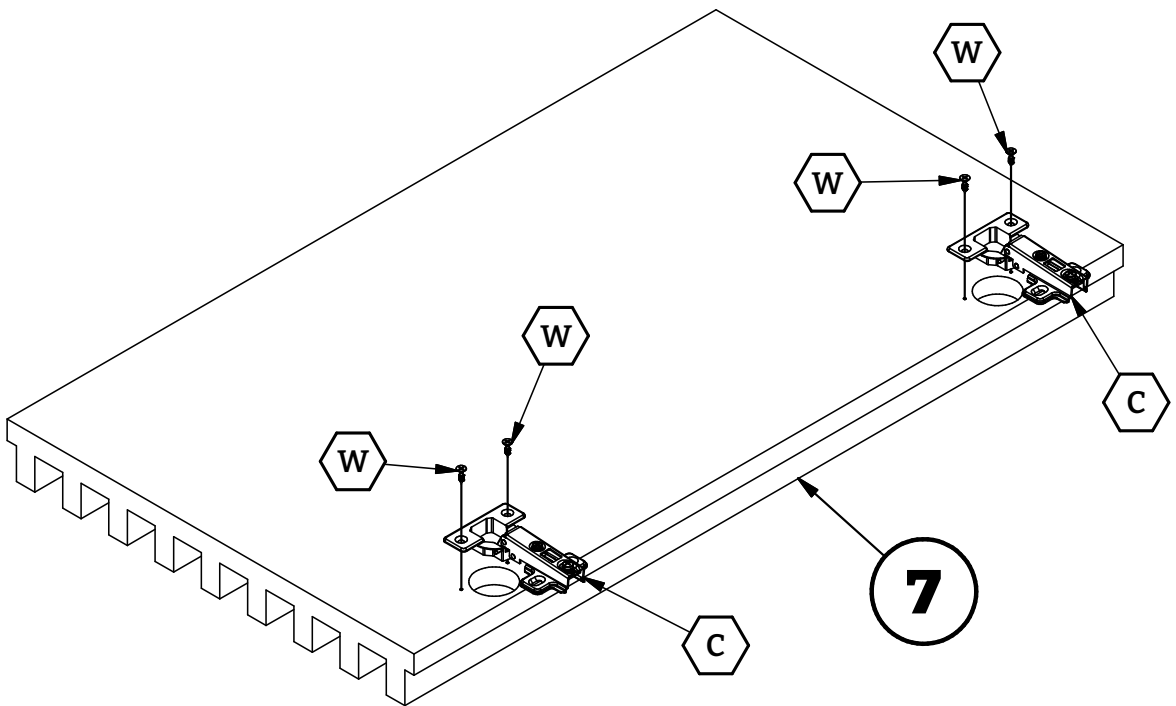
12

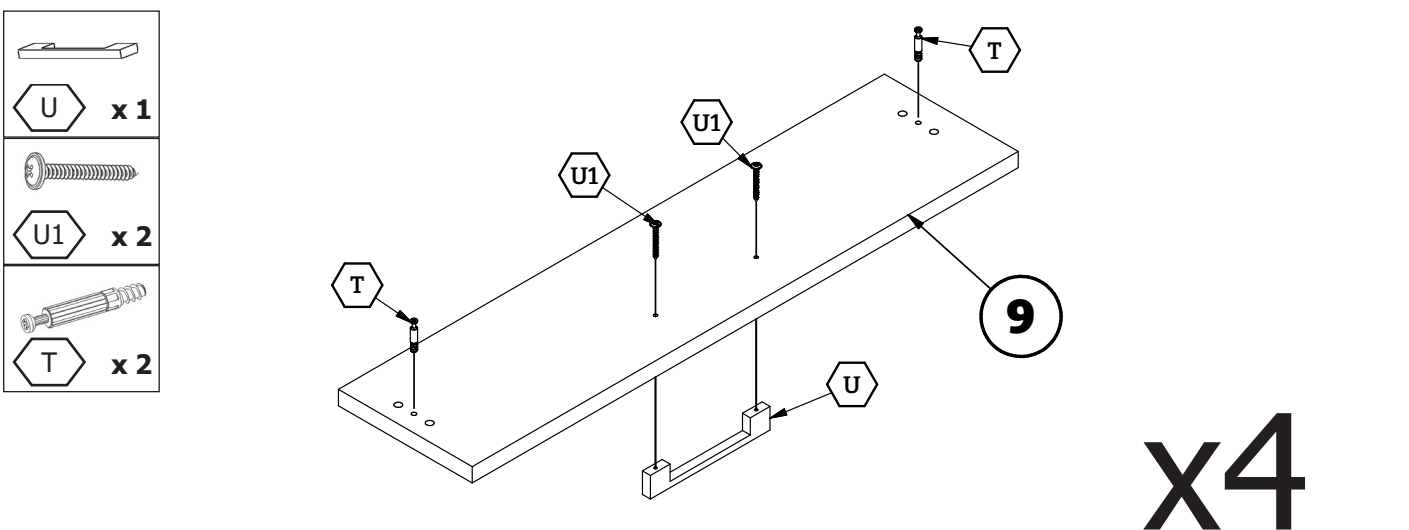
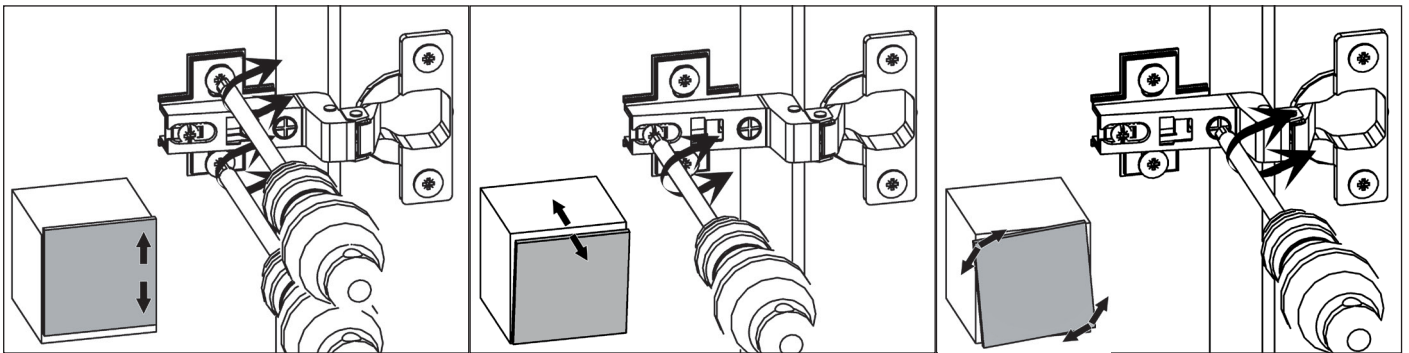
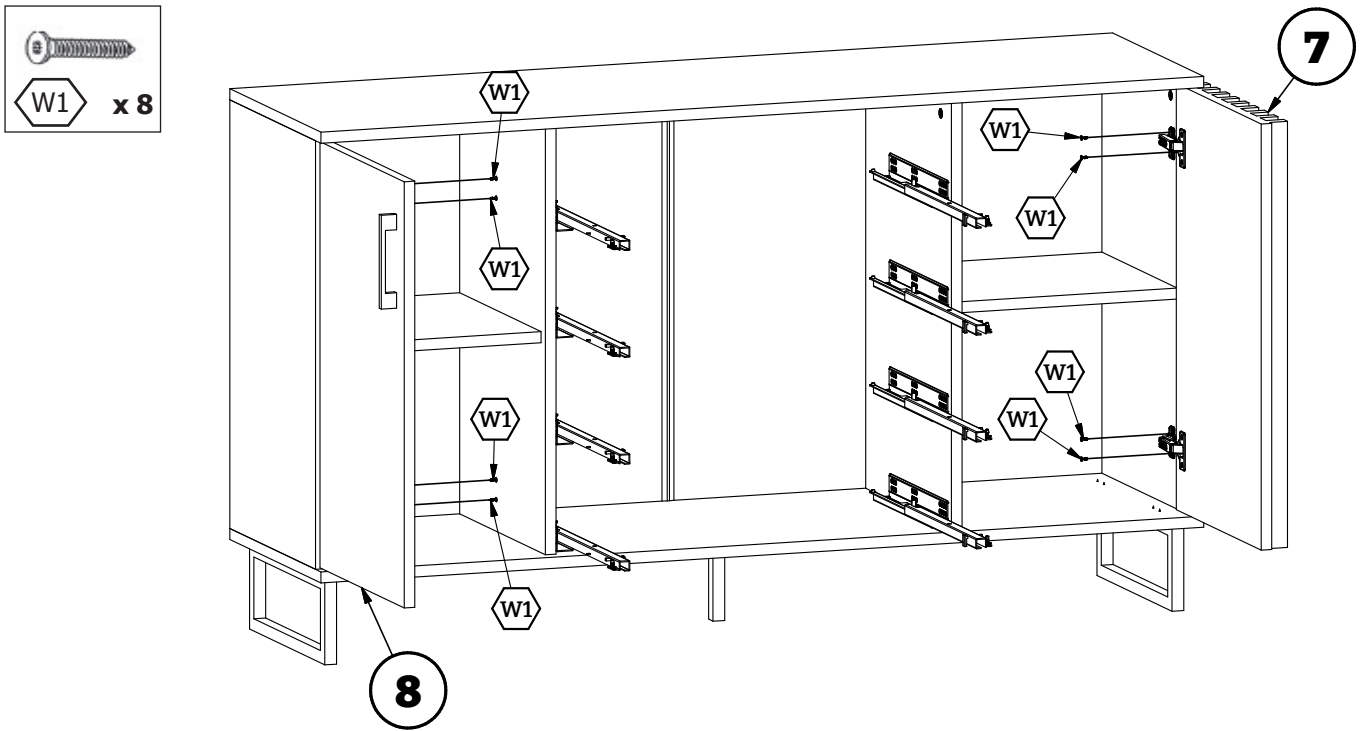
- 
- W x 4**
- 
- C x 2**
- 
- U x 1**
- 
- U1 x 2**



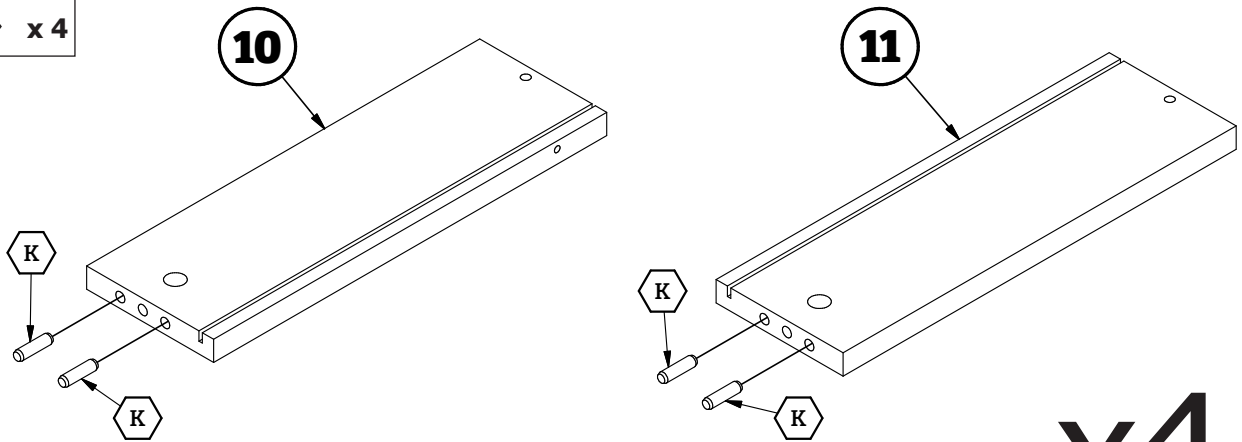
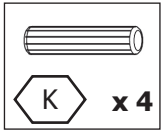
13

- 
- W x 4**
- 
- C x 2**



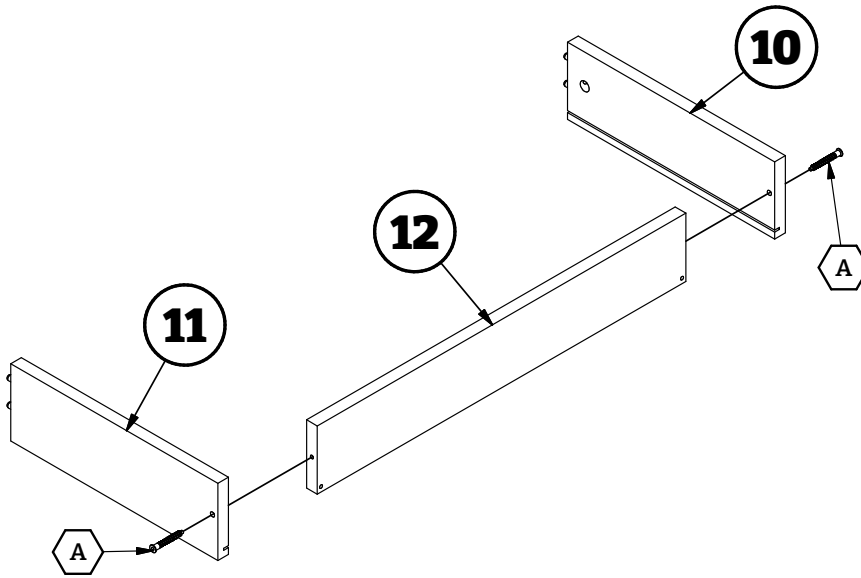
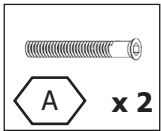


16



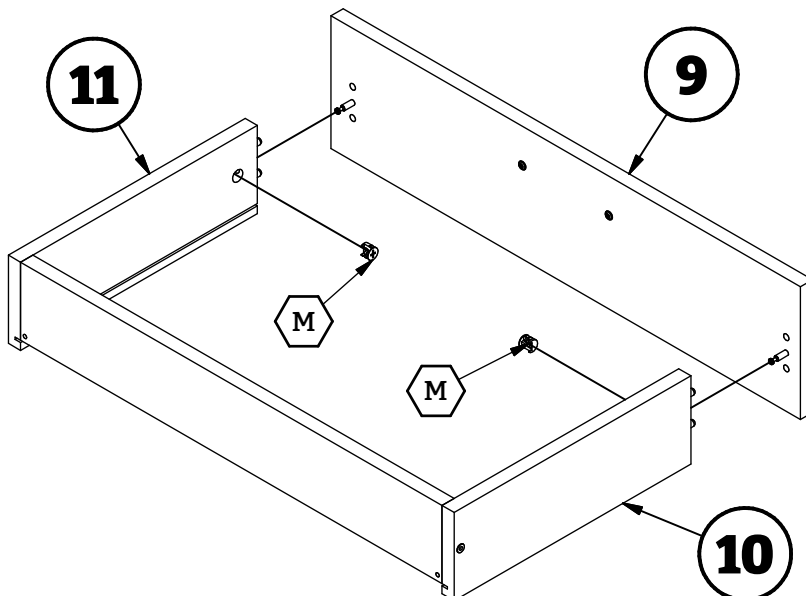
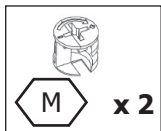
x4

17

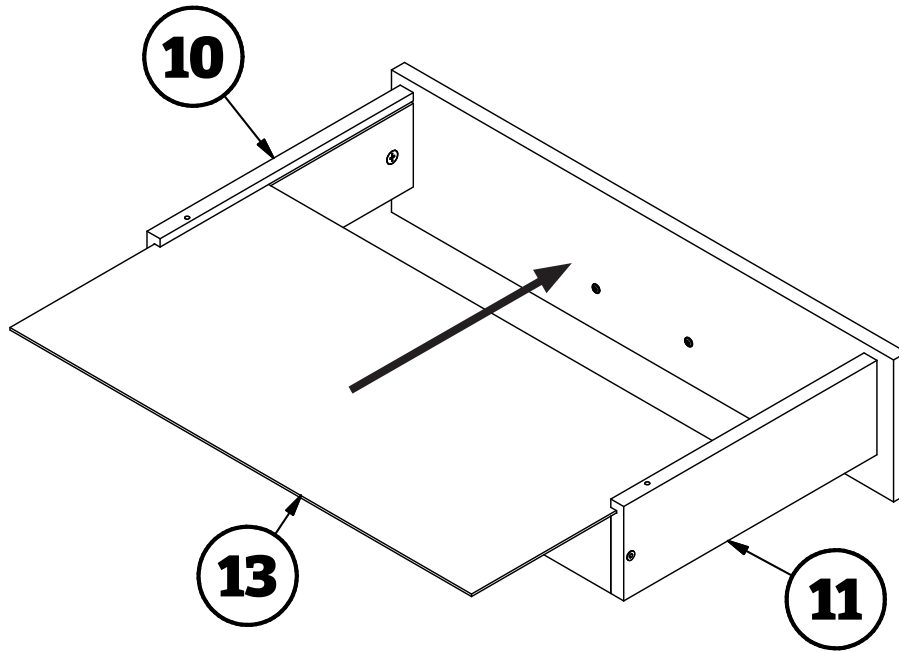


x4

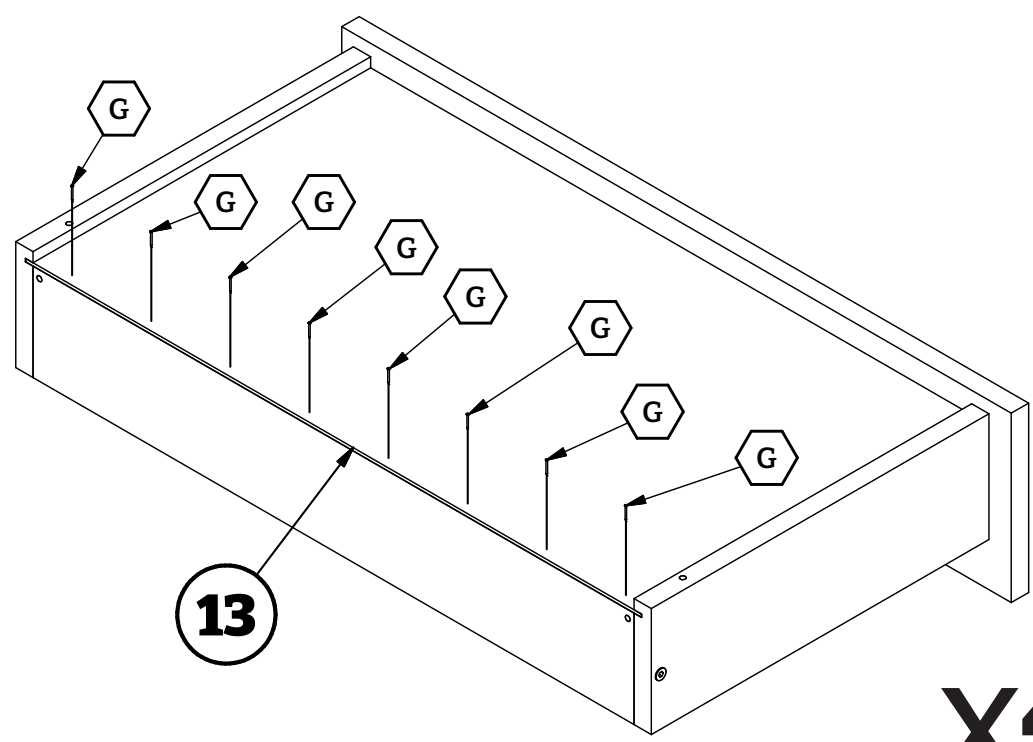
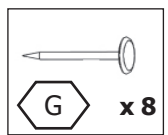
18



x4



x4



x4

