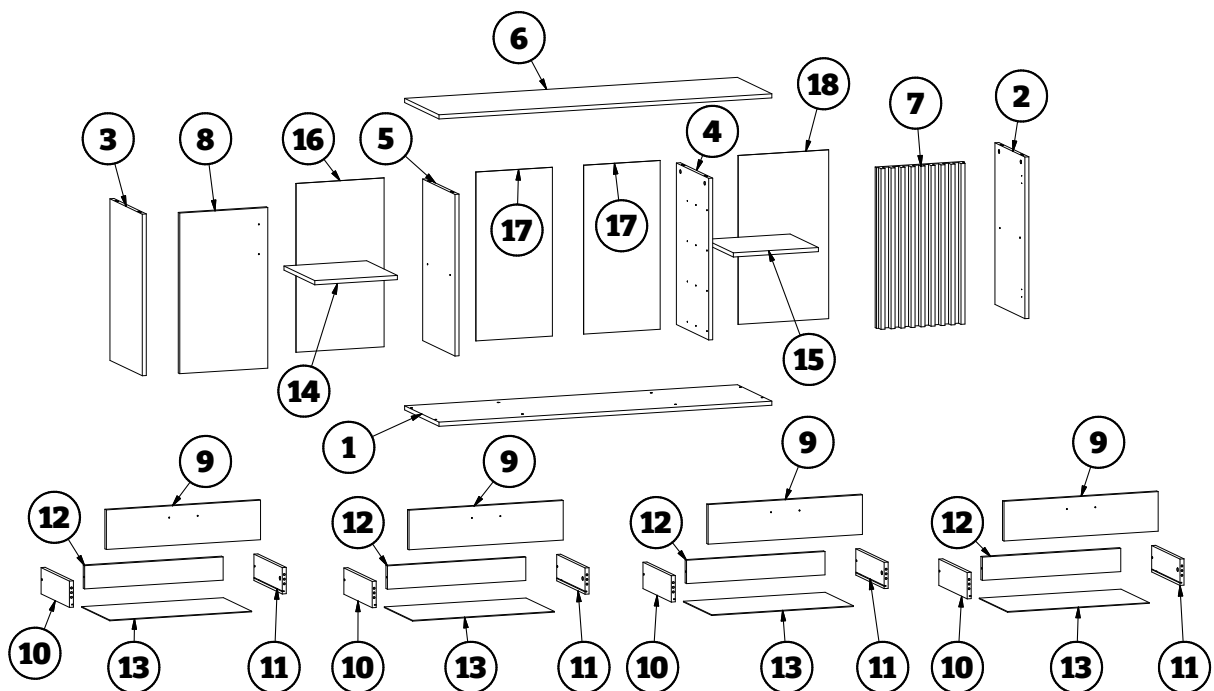
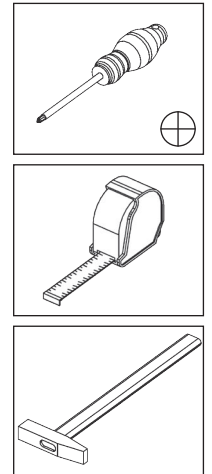
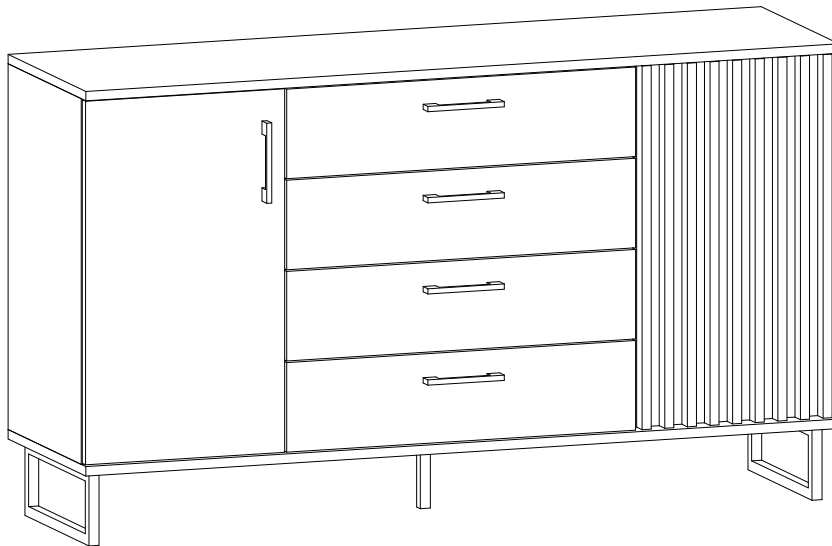





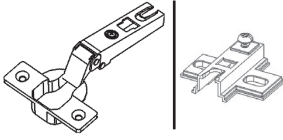

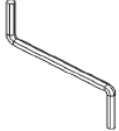
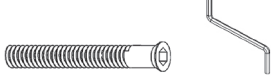

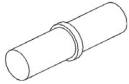

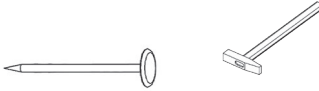
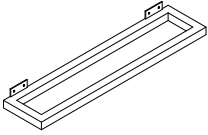


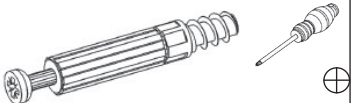


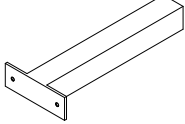

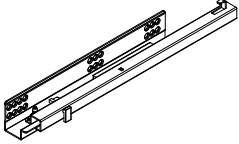


# MALMO KOMODA 2D4S

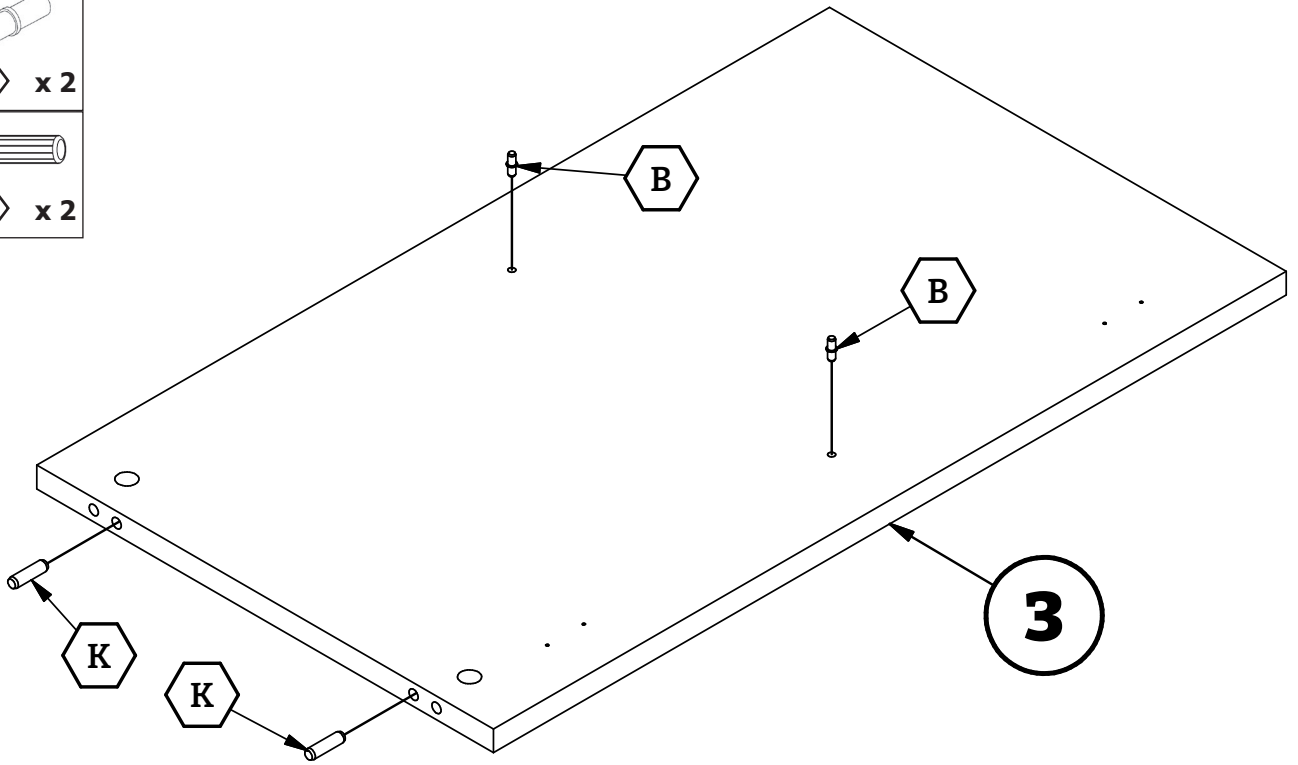
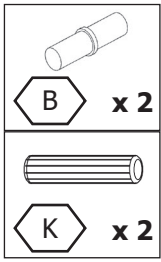
(1500x870x428mm)



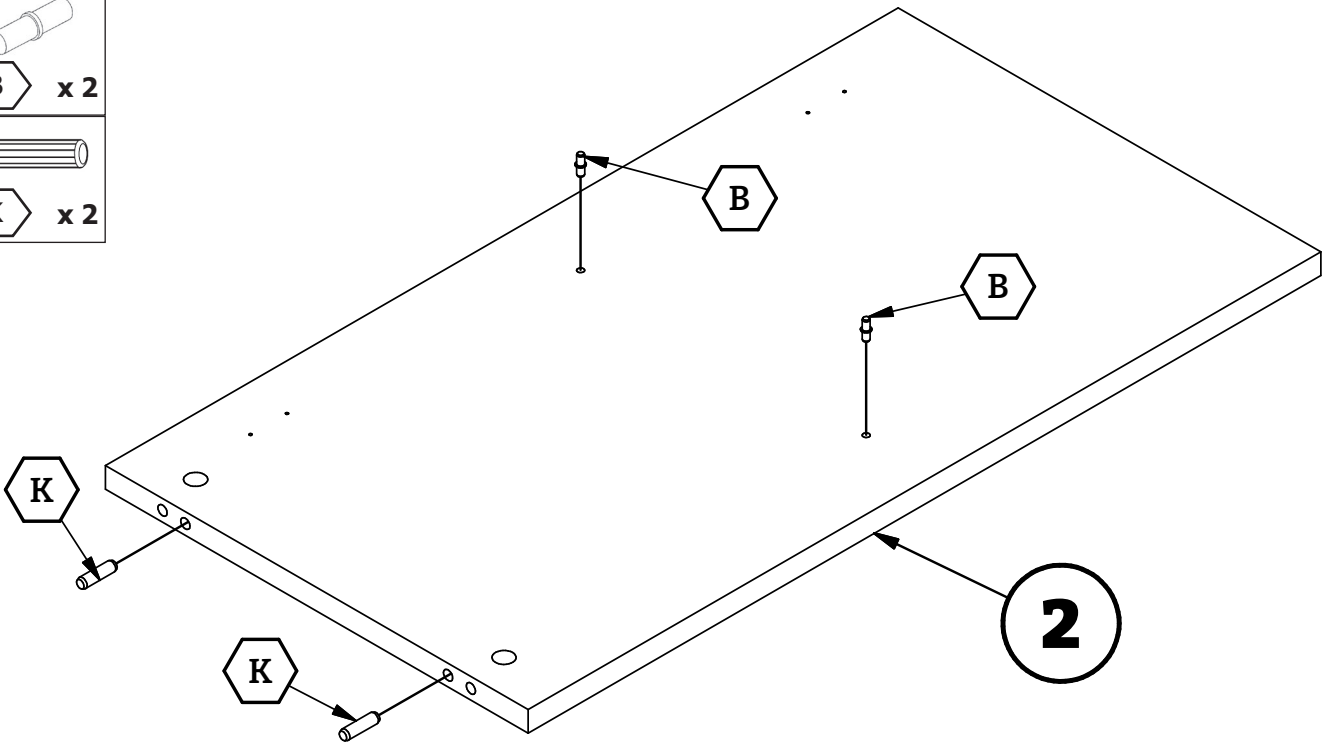
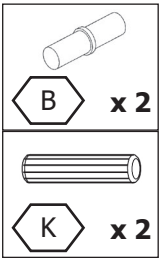
- |                           |                          |                           |
|---------------------------|--------------------------|---------------------------|
| ① <b>x1</b> 1500x425x18mm | ② <b>x1</b> 694x370x18mm | ③ <b>x1</b> 694x400x18mm  |
| ④ <b>x1</b> 694x400x18mm  | ⑤ <b>x1</b> 694x400x18mm | ⑥ <b>x1</b> 1500x425x18mm |
| ⑦ <b>x1</b> 690x396x48mm  | ⑧ <b>x1</b> 690x396x18mm | ⑨ <b>x4</b> 170x694x18mm  |
| ⑩ <b>x4</b> 350x113x16mm  | ⑪ <b>x4</b> 350x113x16mm | ⑫ <b>x4</b> 628x100x16mm  |
| ⑬ <b>x4</b> 640x357x3mm   | ⑭ <b>x1</b> 372x380x18mm | ⑮ <b>x1</b> 383x370x18mm  |
| ⑯ <b>x1</b> 725x395x3mm   | ⑰ <b>x2</b> 725x345x3mm  | ⑱ <b>x1</b> 725x406x3mm   |

<p><b>K</b></p>   <p><b>x 24</b> <math>\Phi 8 \times 35 \text{mm}</math></p>	<p><b>W2</b></p>  <p><b>x 10</b> <math>\Phi 4 \times 20 \text{mm}</math></p>	<p><b>U</b></p>  <p><b>x 5</b></p>
<p><b>U1</b></p>  <p><b>x 10</b></p>	<p><b>C</b></p>  <p><b>x 4</b></p>	<p><b>W1</b></p>  <p><b>x 8</b> <math>\Phi 4 \times 16 \text{mm}</math></p>
<p><b>I</b></p>  <p><b>x 1</b></p>	<p><b>A</b></p>  <p><b>x 16</b> <math>7 \times 50</math></p>	<p><b>W</b></p>  <p><b>x 32</b> <math>\Phi 3,5 \times 16 \text{mm}</math></p>
<p><b>B</b></p>   <p><b>x 8</b></p>	<p><b>G</b></p>  <p><b>x 88</b></p>	<p><b>N</b></p>  <p><b>x 2</b></p>
<p><b>G2</b></p>  <p><b>x 10</b></p>	<p><b>M</b></p>  <p><b>x 16</b></p>	<p><b>T</b></p>  <p><b>x 16</b></p>
<p><b>M2</b></p>   <p><b>x 16</b></p>	<p><b>N2</b></p>  <p><b>x 1</b></p>	<p><b>L</b></p>  <p><b>x 1</b></p>
<p><b>P</b></p>  <p><b>x 4</b></p>		

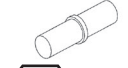


1

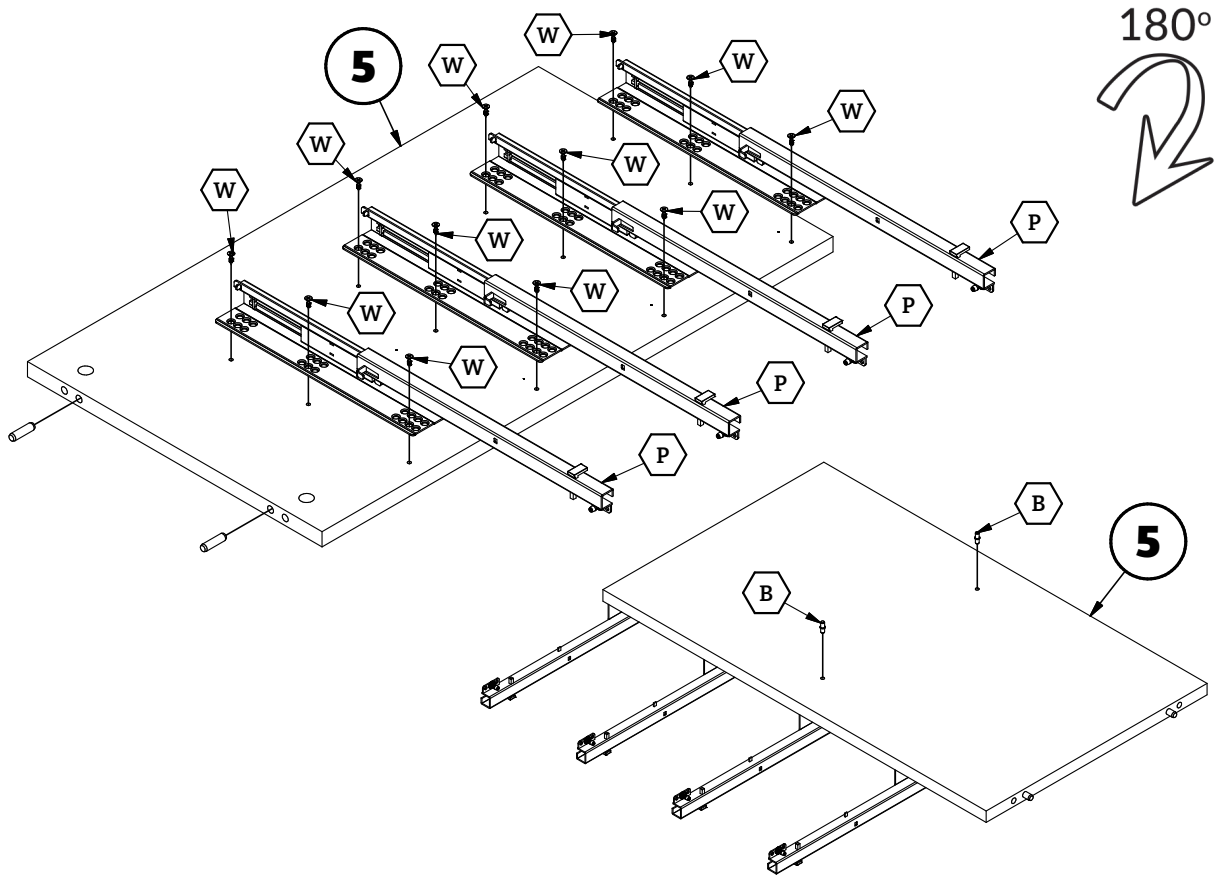


2

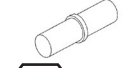




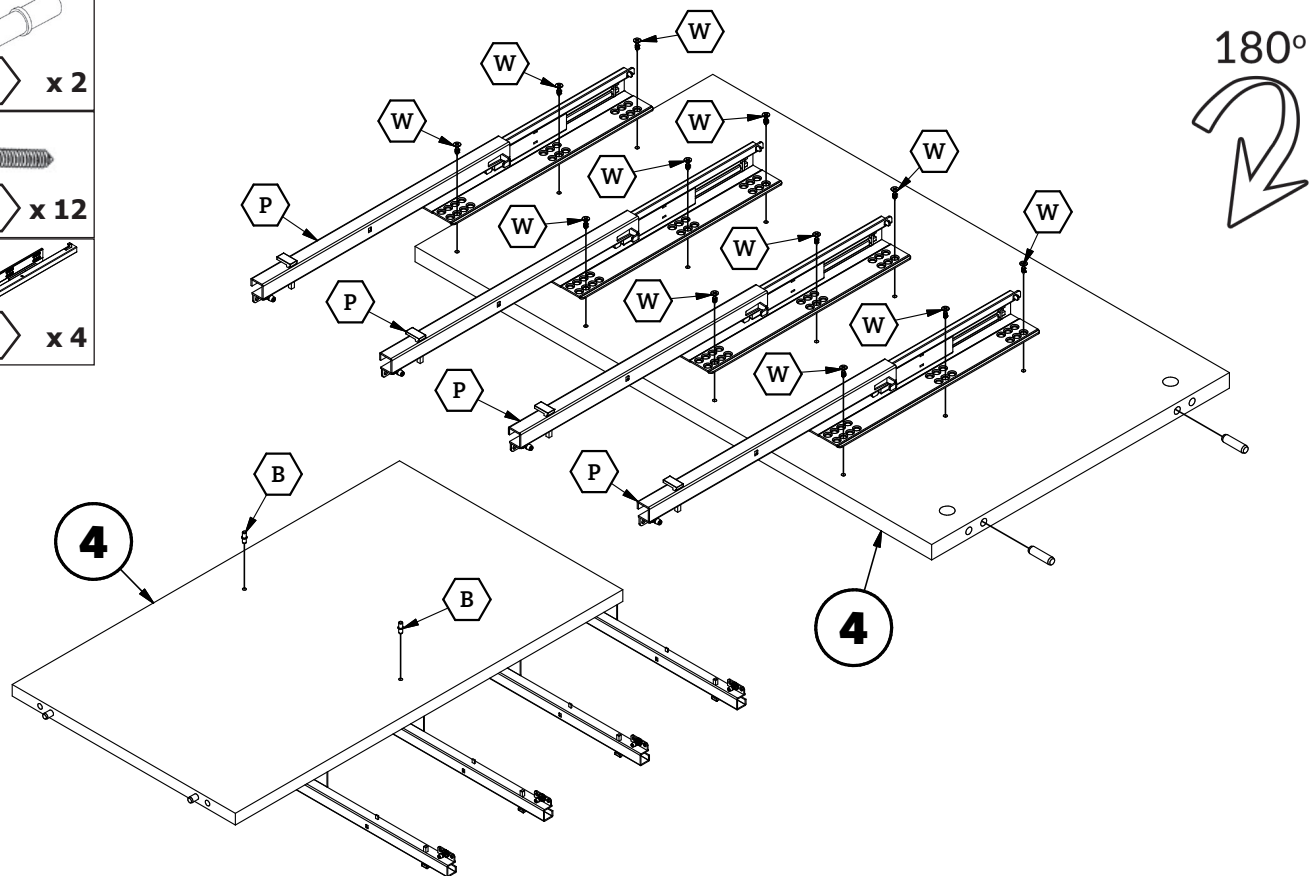
3

-  **B** x 2
-  **W** x 12
-  **P** x 4

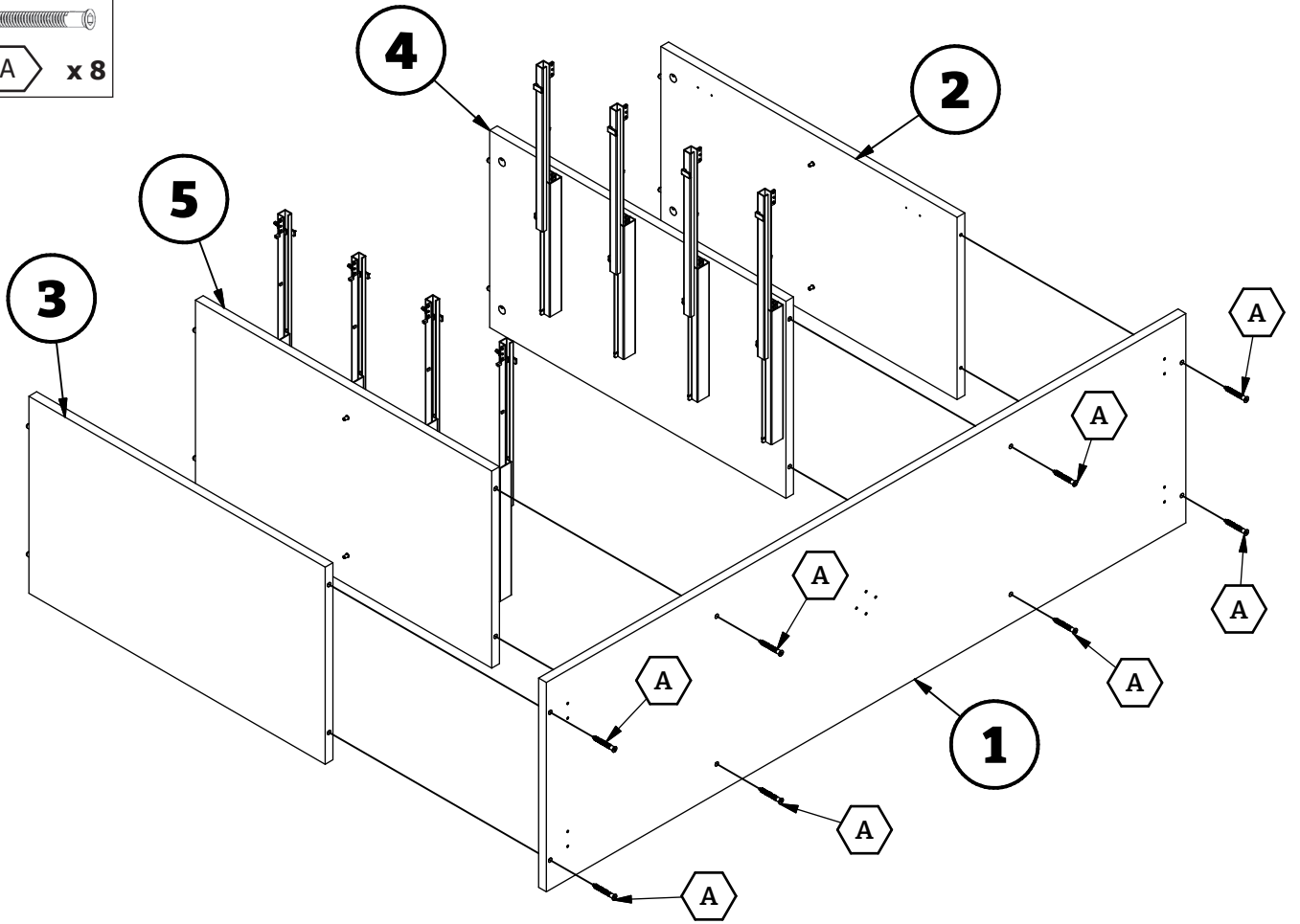
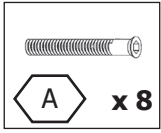


4

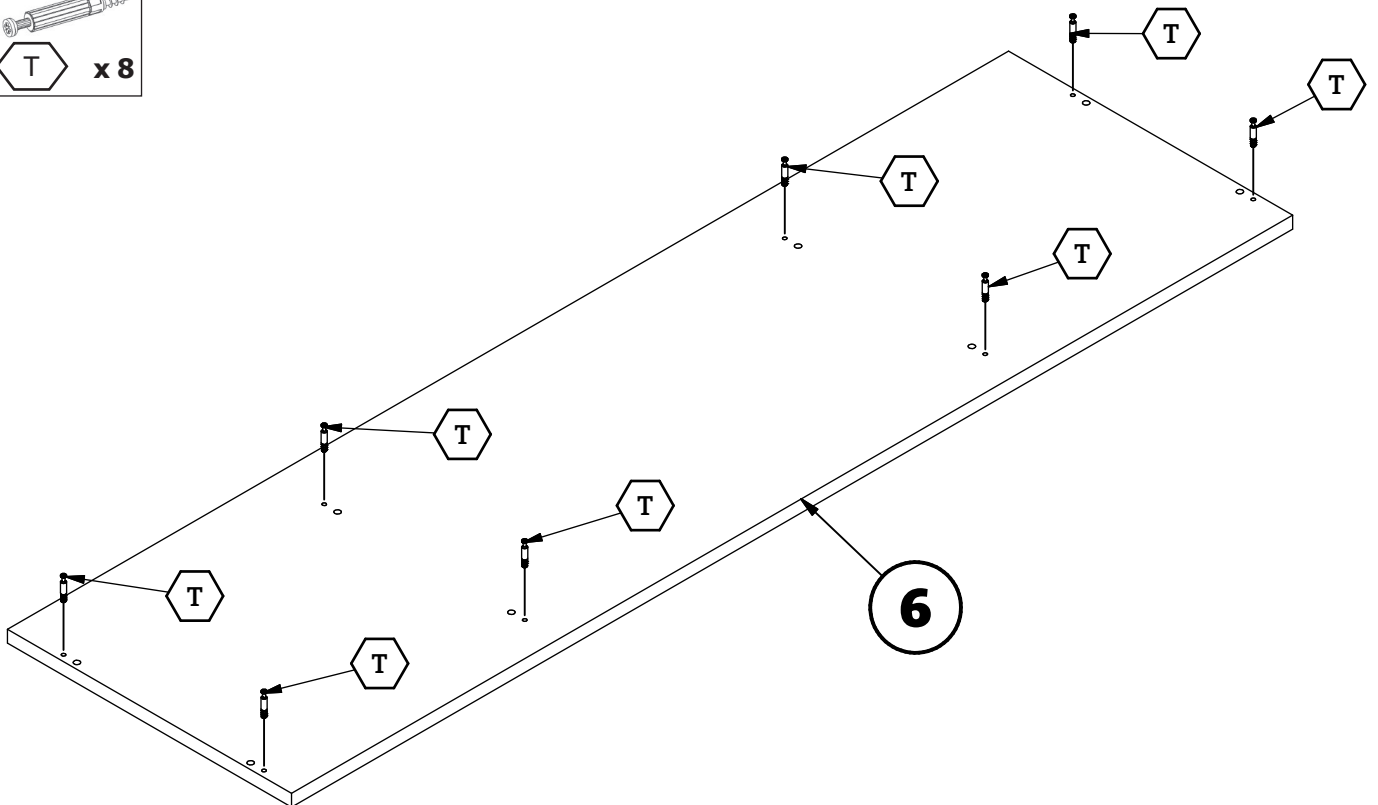
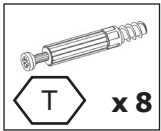
-  **B** x 2
-  **W** x 12
-  **P** x 4



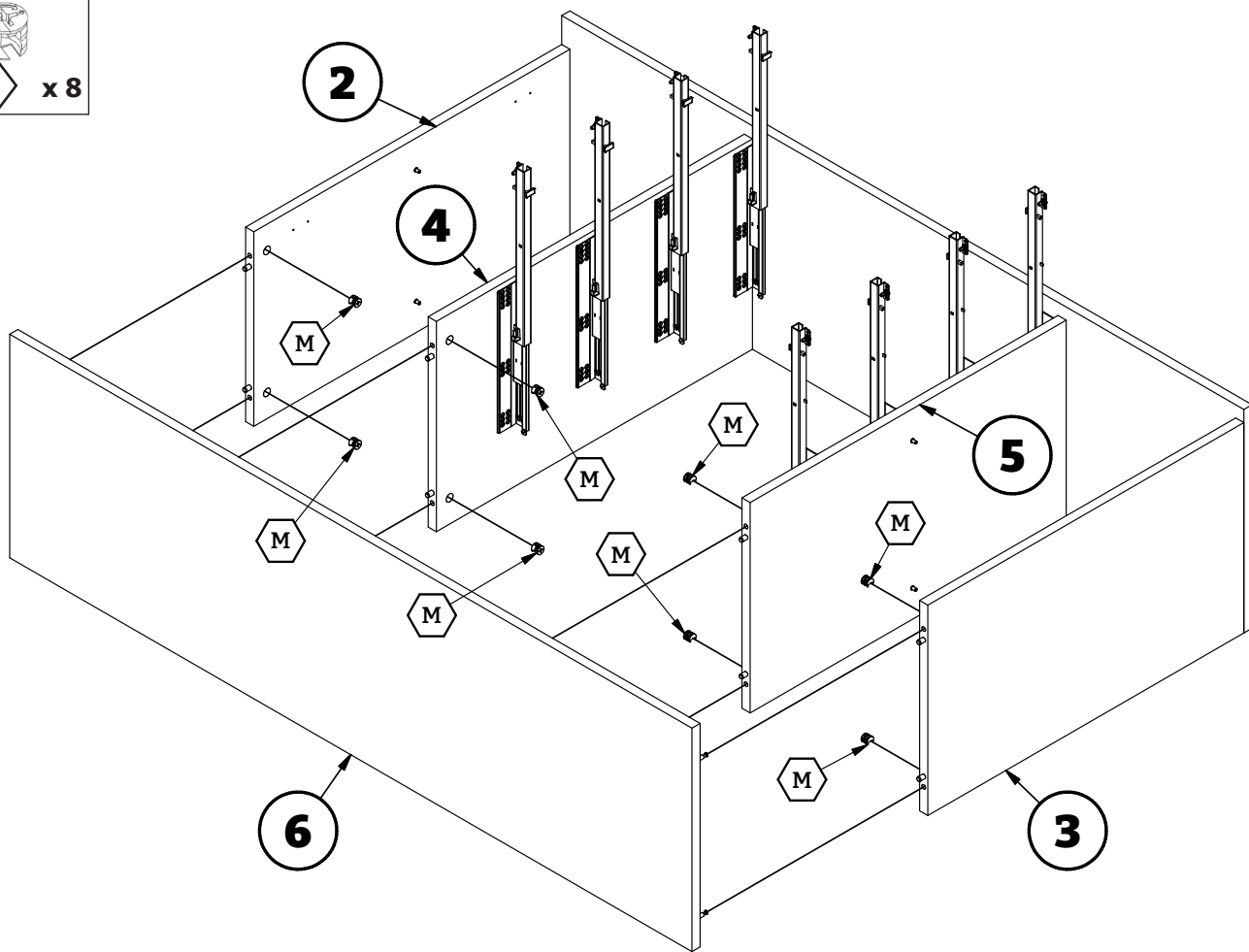
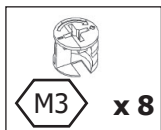
5



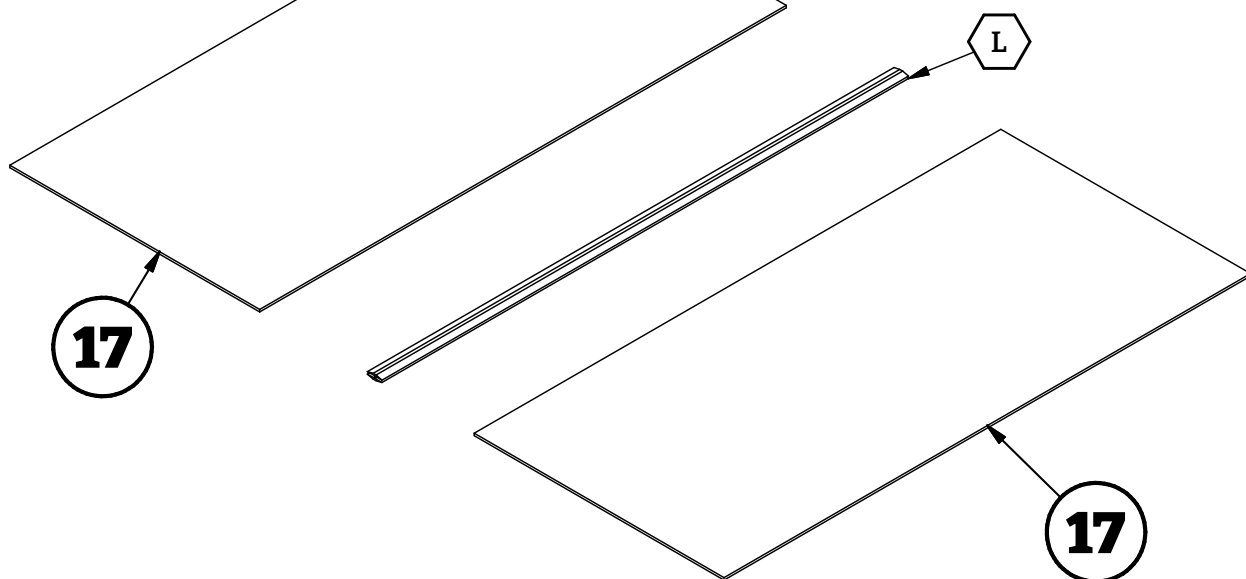
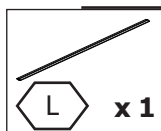
6

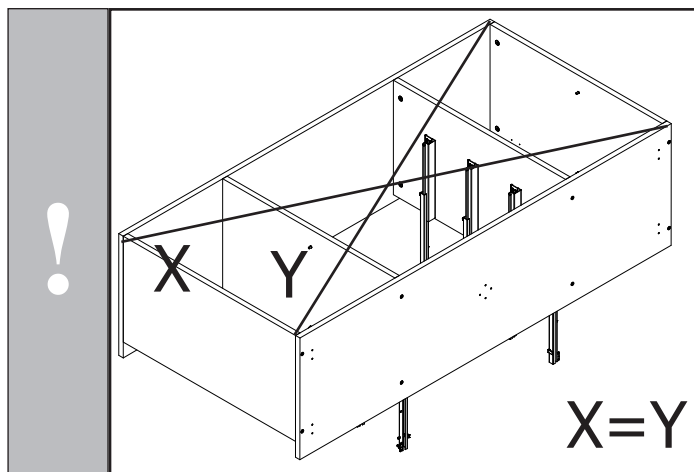
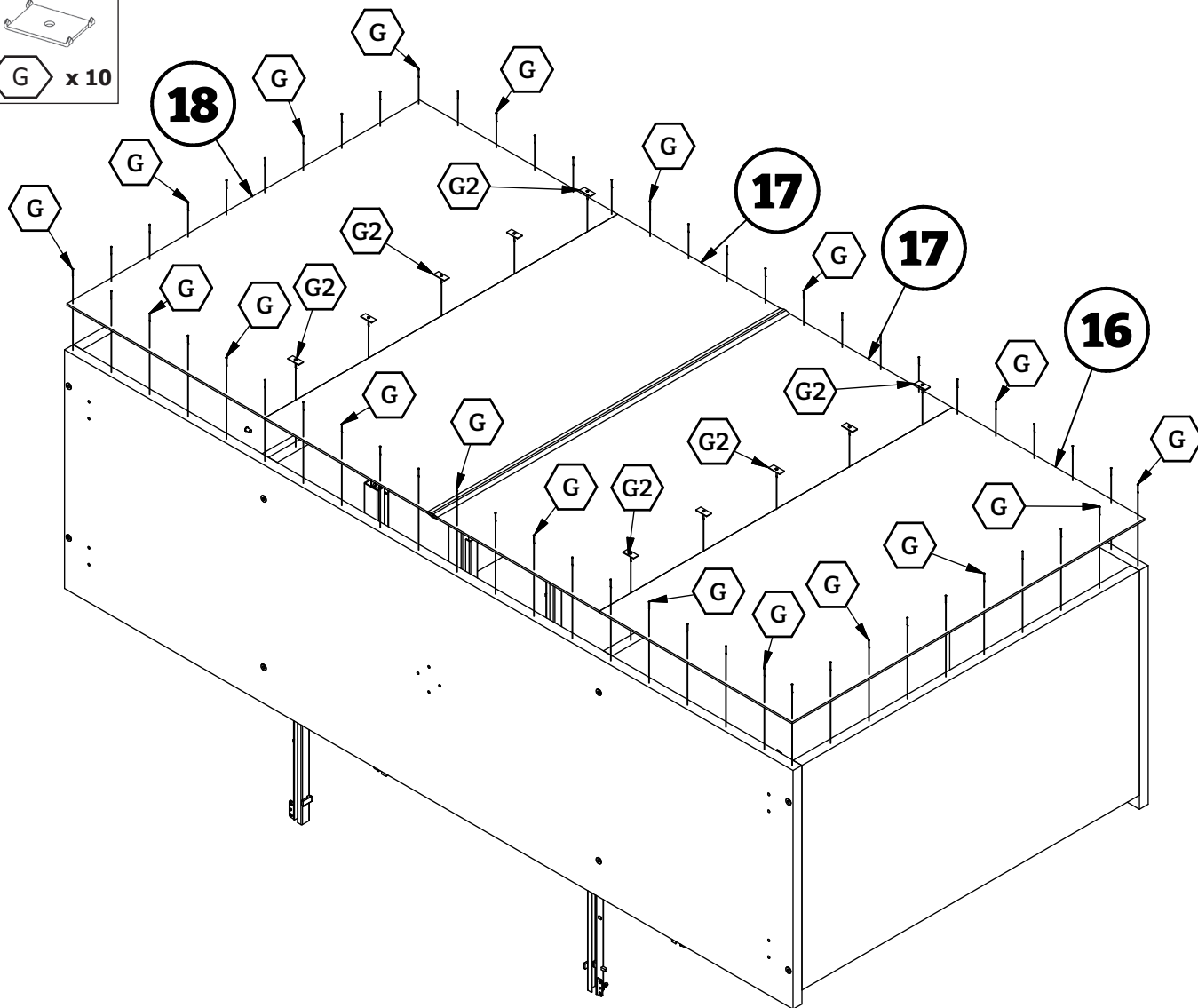
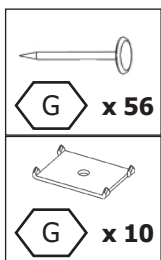


7

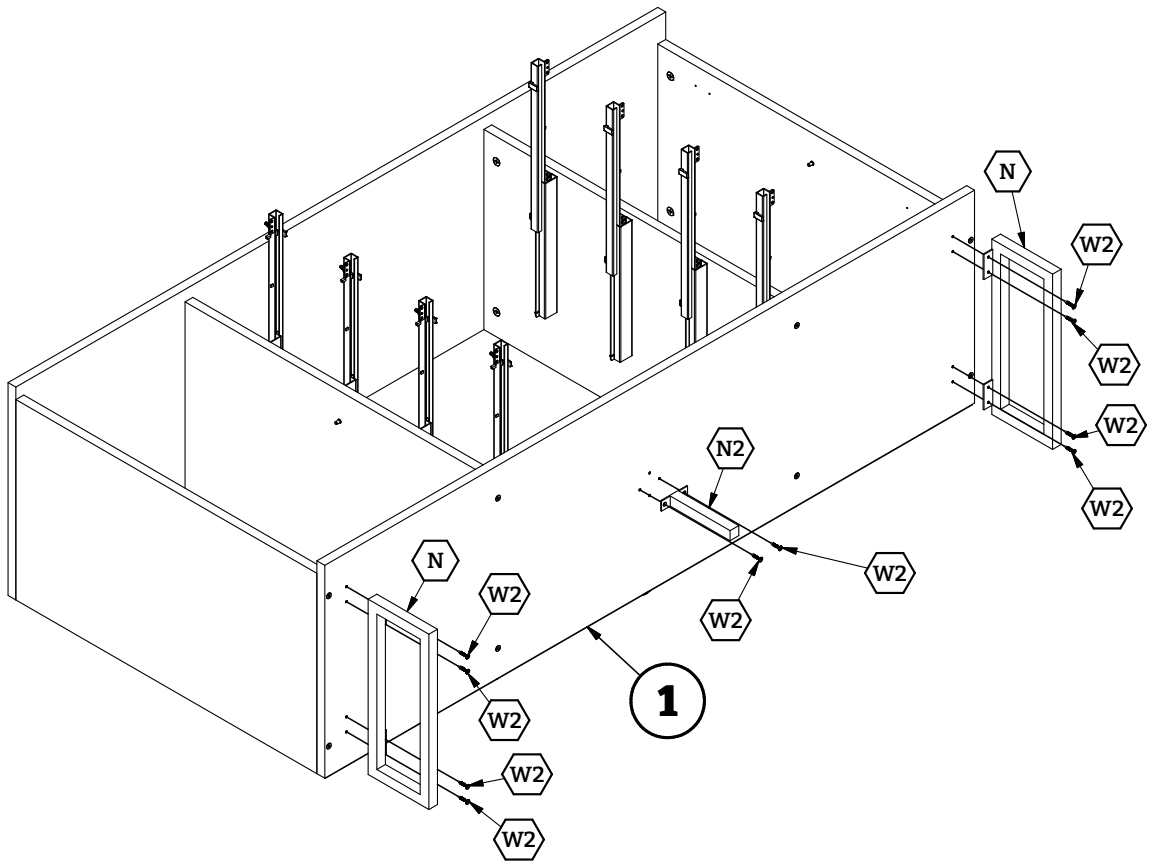
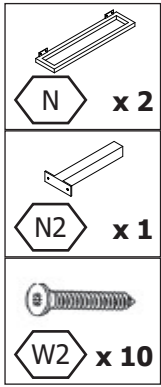


8

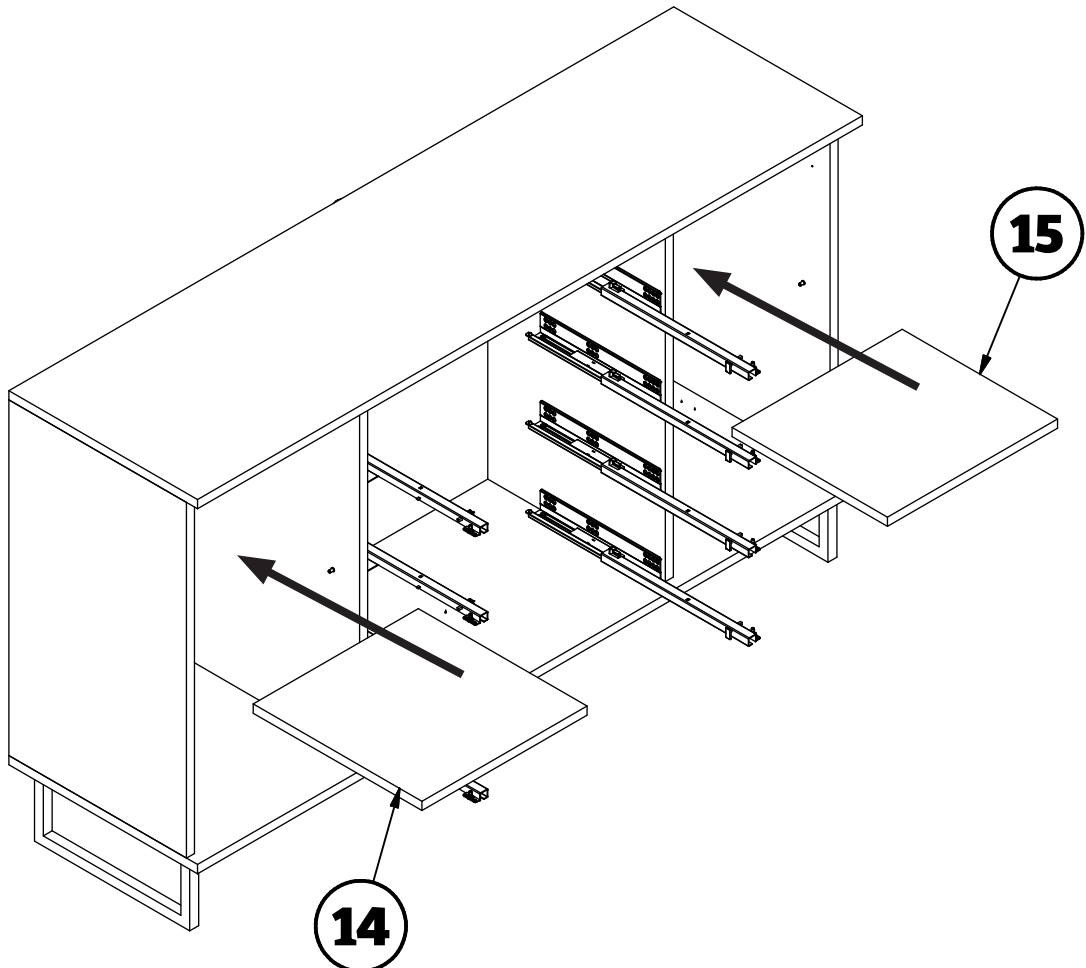




10







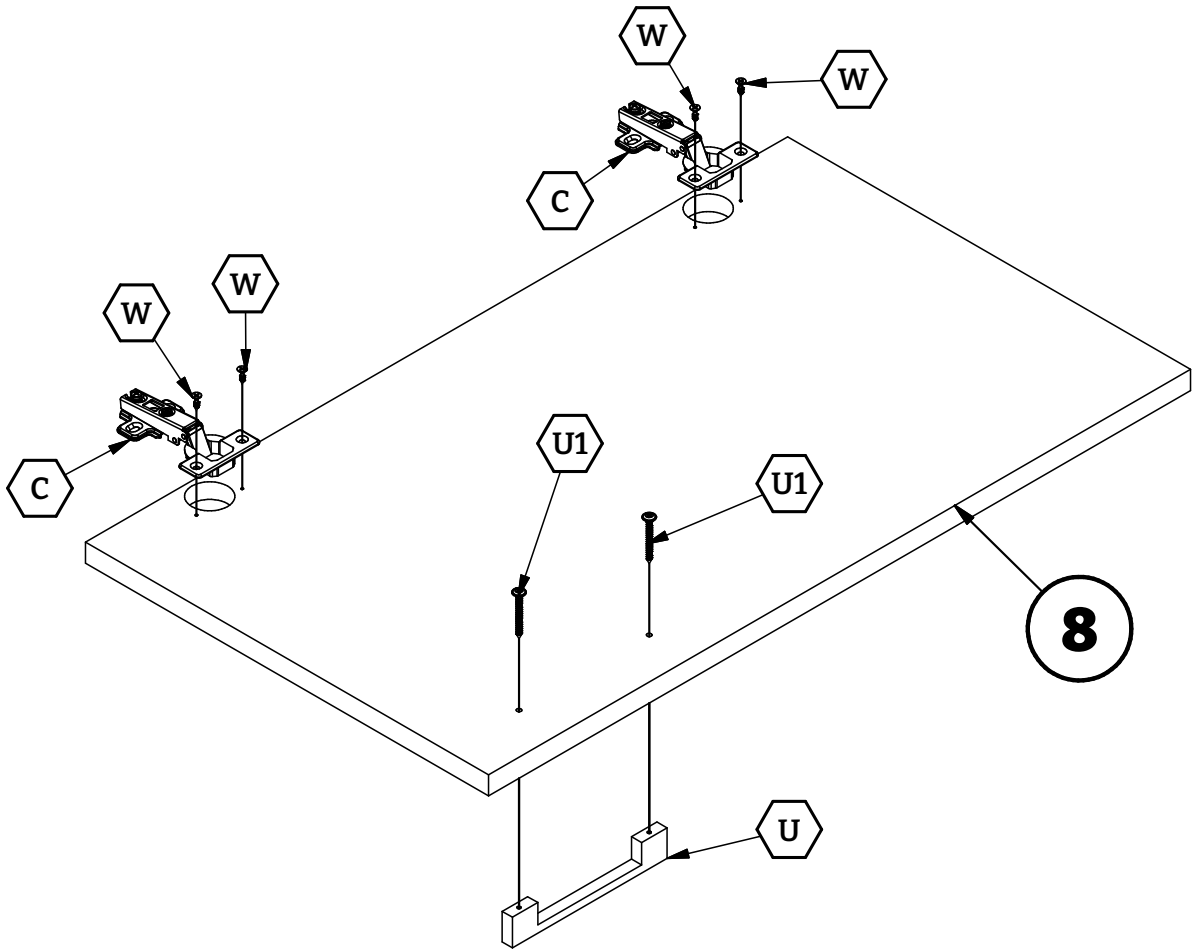
11




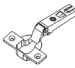


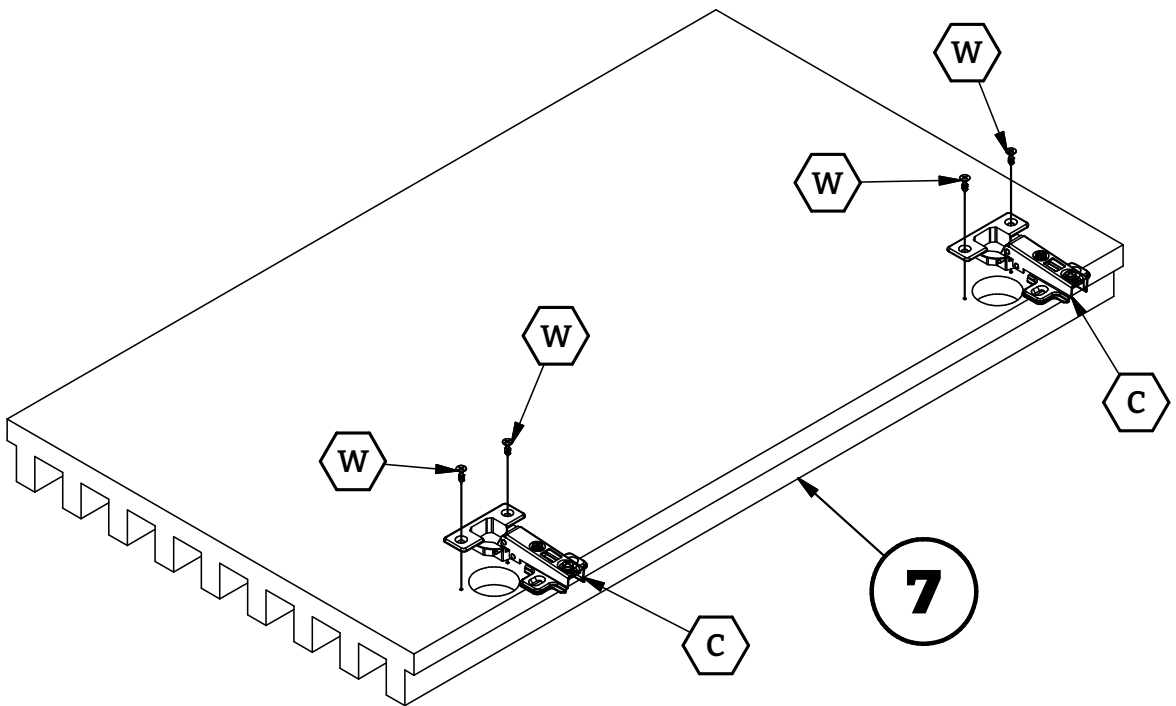
12

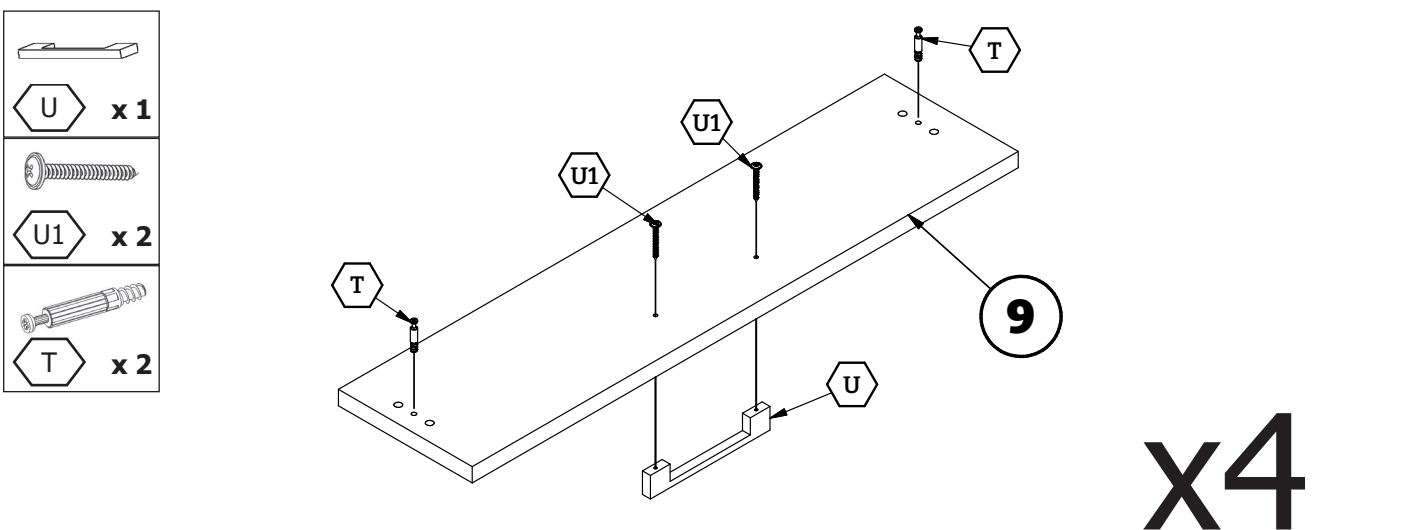
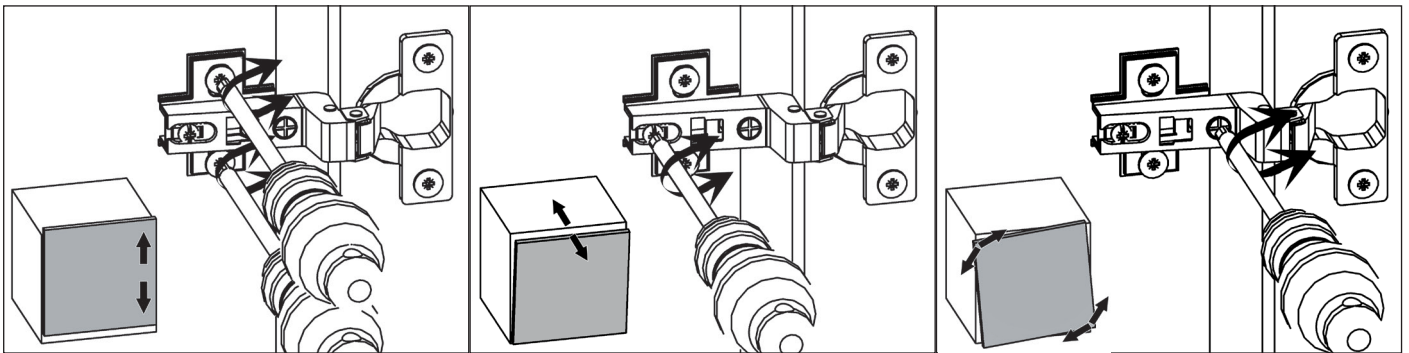
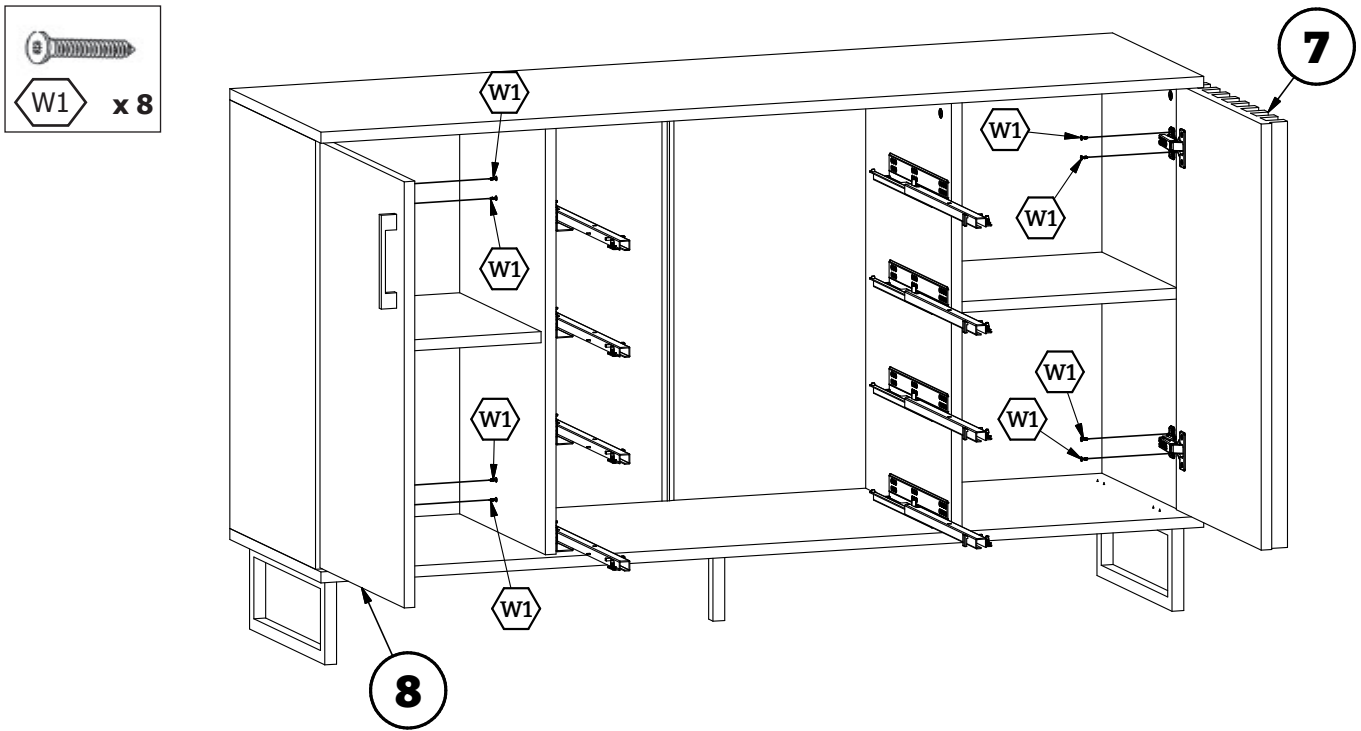
-   
**W x 4**
-   
**C x 2**
-   
**U x 1**
-   
**U1 x 2**



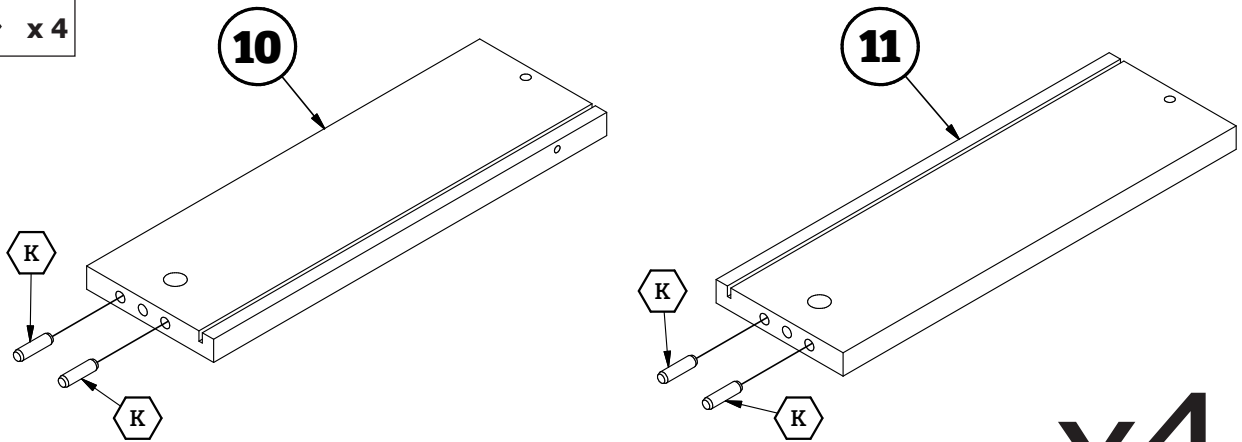
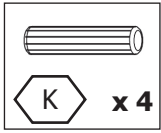
13

-   
**W x 4**
-   
**C x 2**



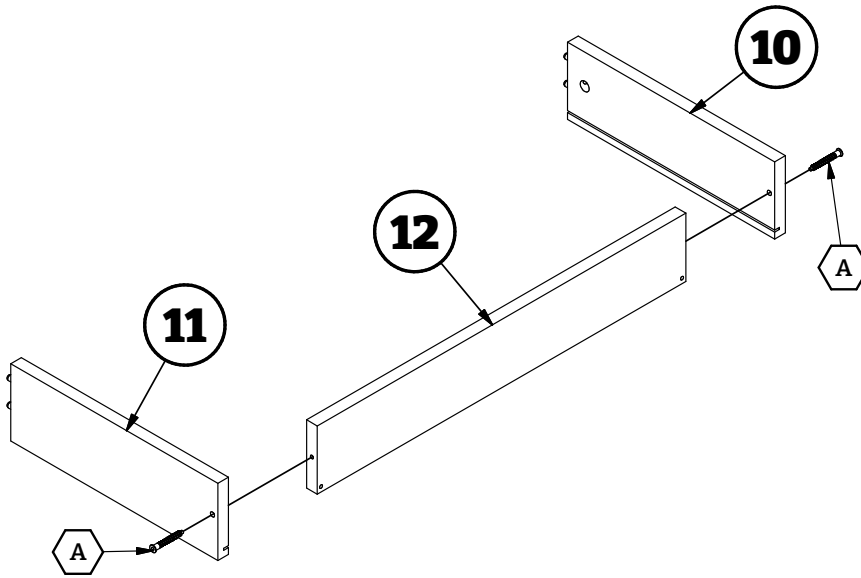
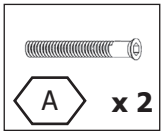


16



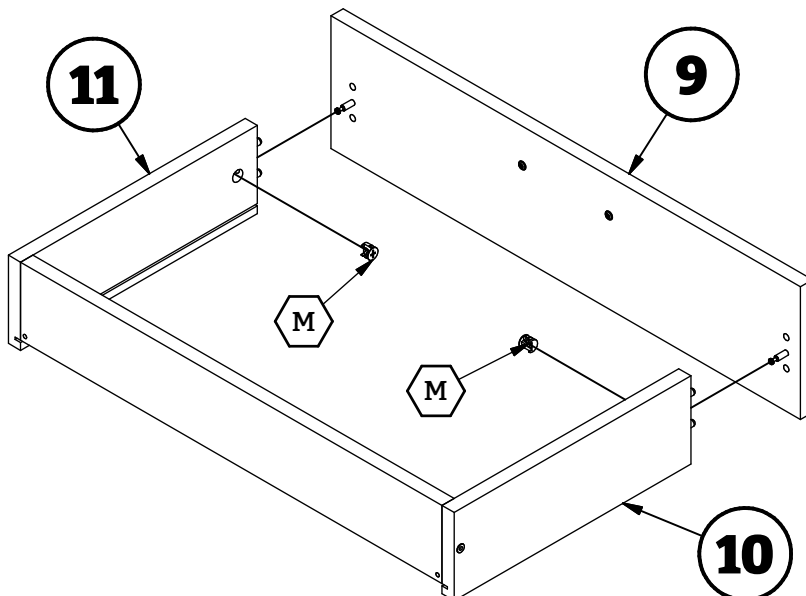
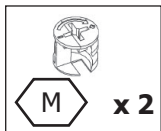
x4

17

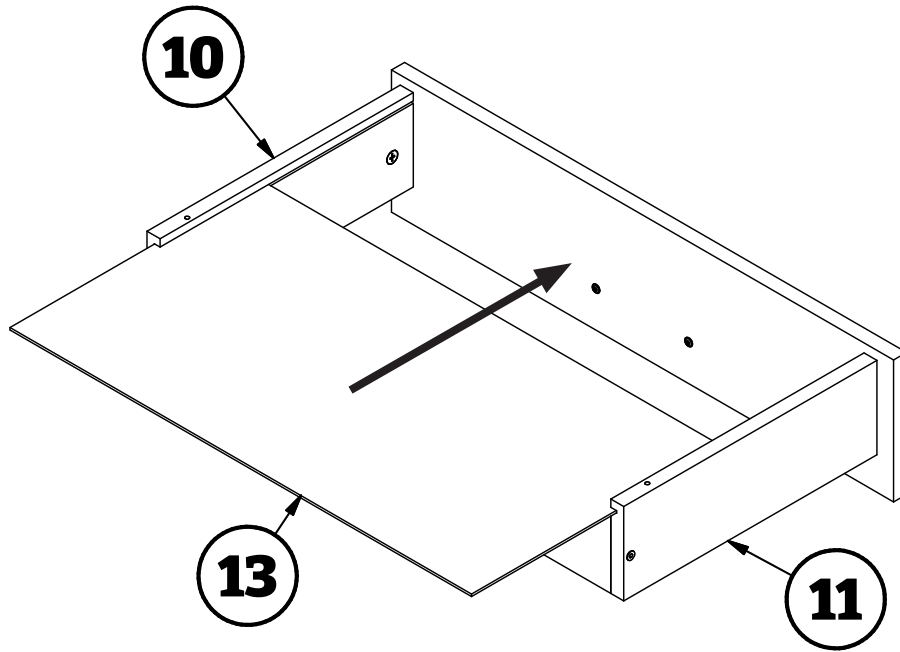


x4

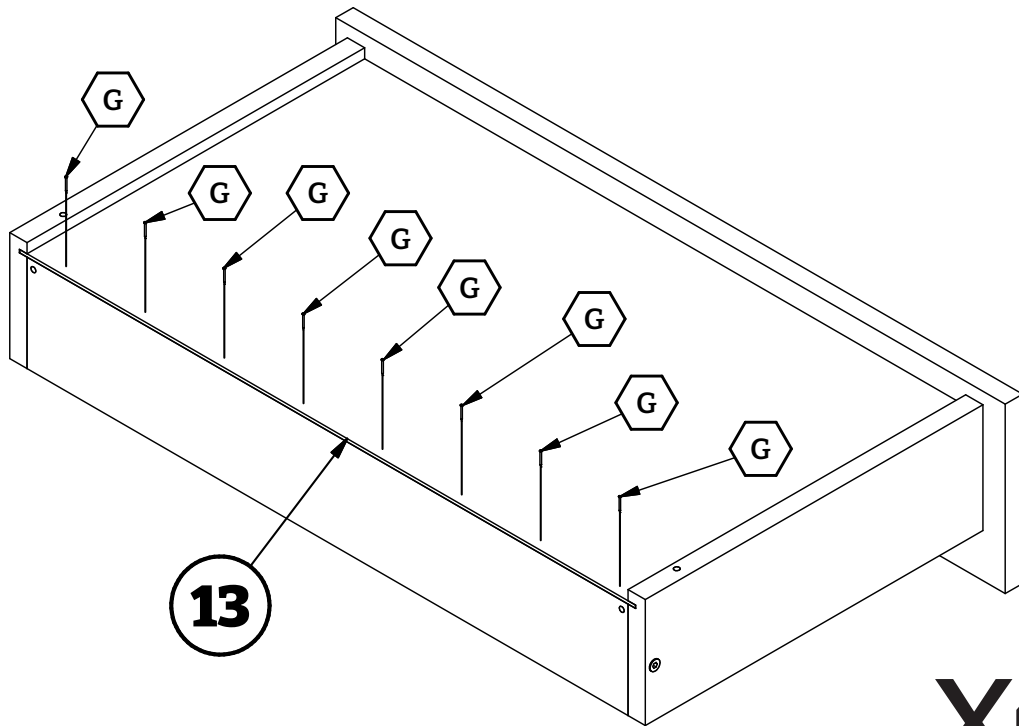
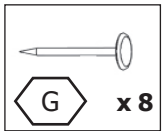
18



x4



x4



x4

