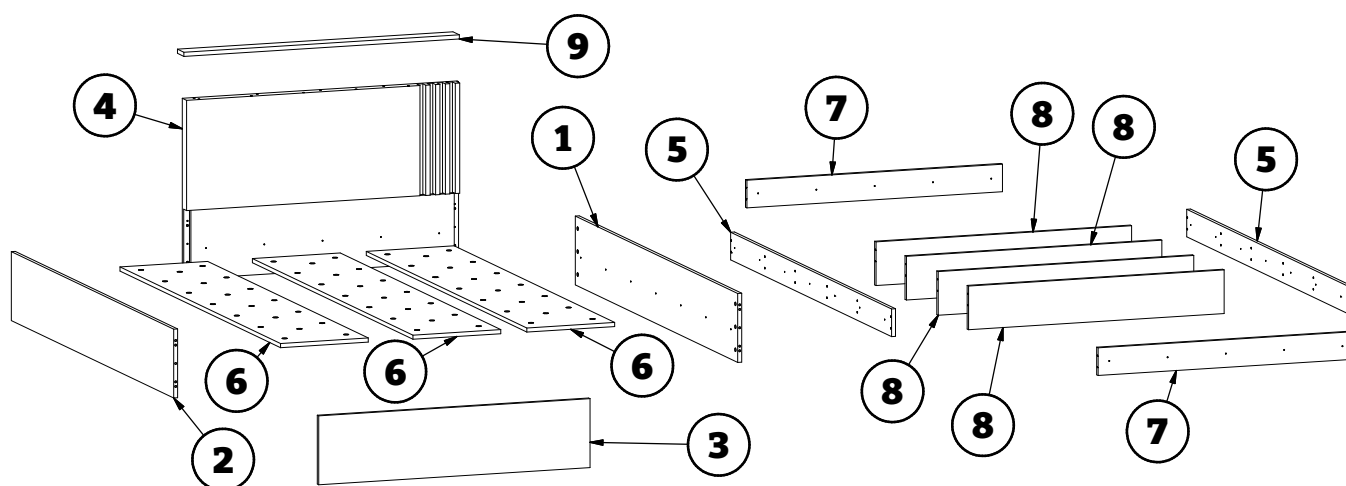
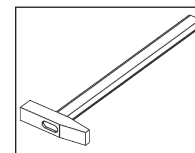
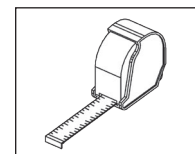
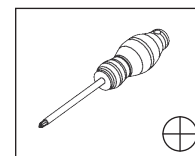
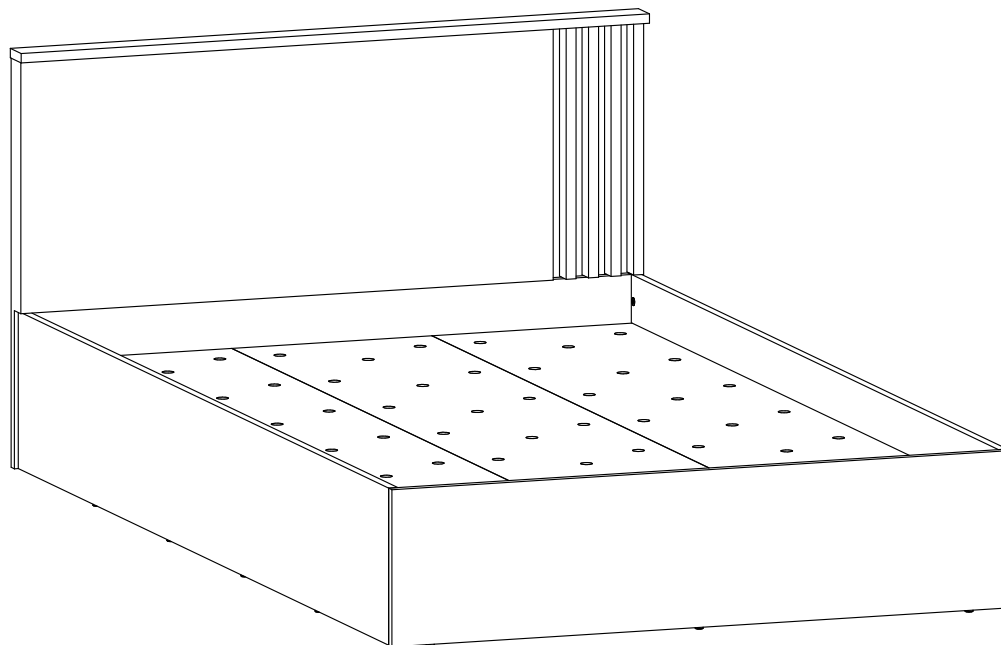


MALMO ŁÓŻKO

(1257x800x2072mm)



① **x1** 2036x200x18mm

② **x1** 2036x200x18mm

③ **x1** 1238x300x18mm

④ **x1** 1254x782x48mm








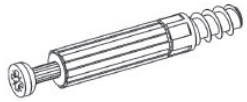

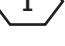
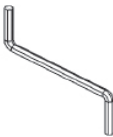








⑤ **x2** 2017x120x18mm

⑥ **x3** 2013x398x18mm

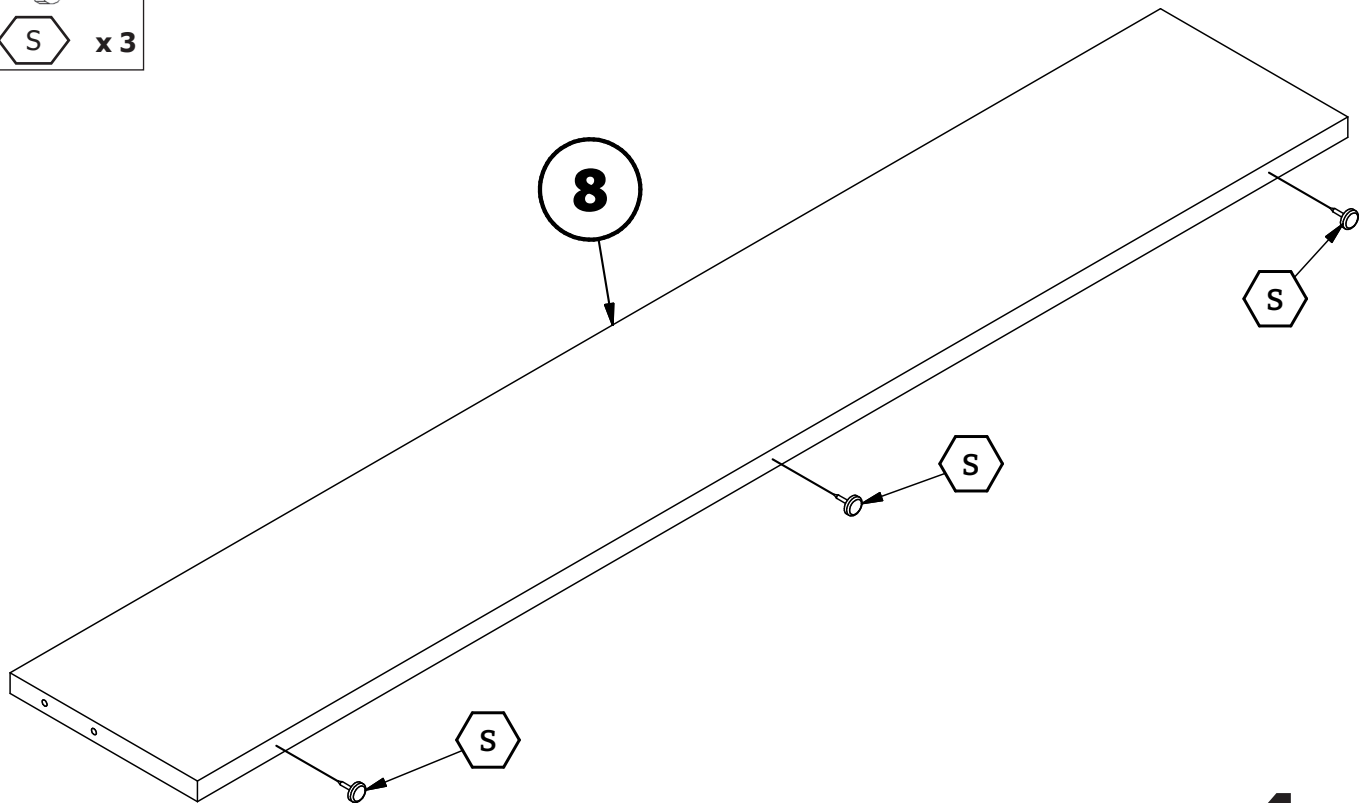
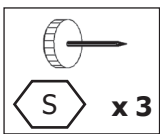
⑦ **x2** 1257x60x18mm

⑧ **x4** 1136x190x18mm

⑨ **x1** 1257x60x18mm

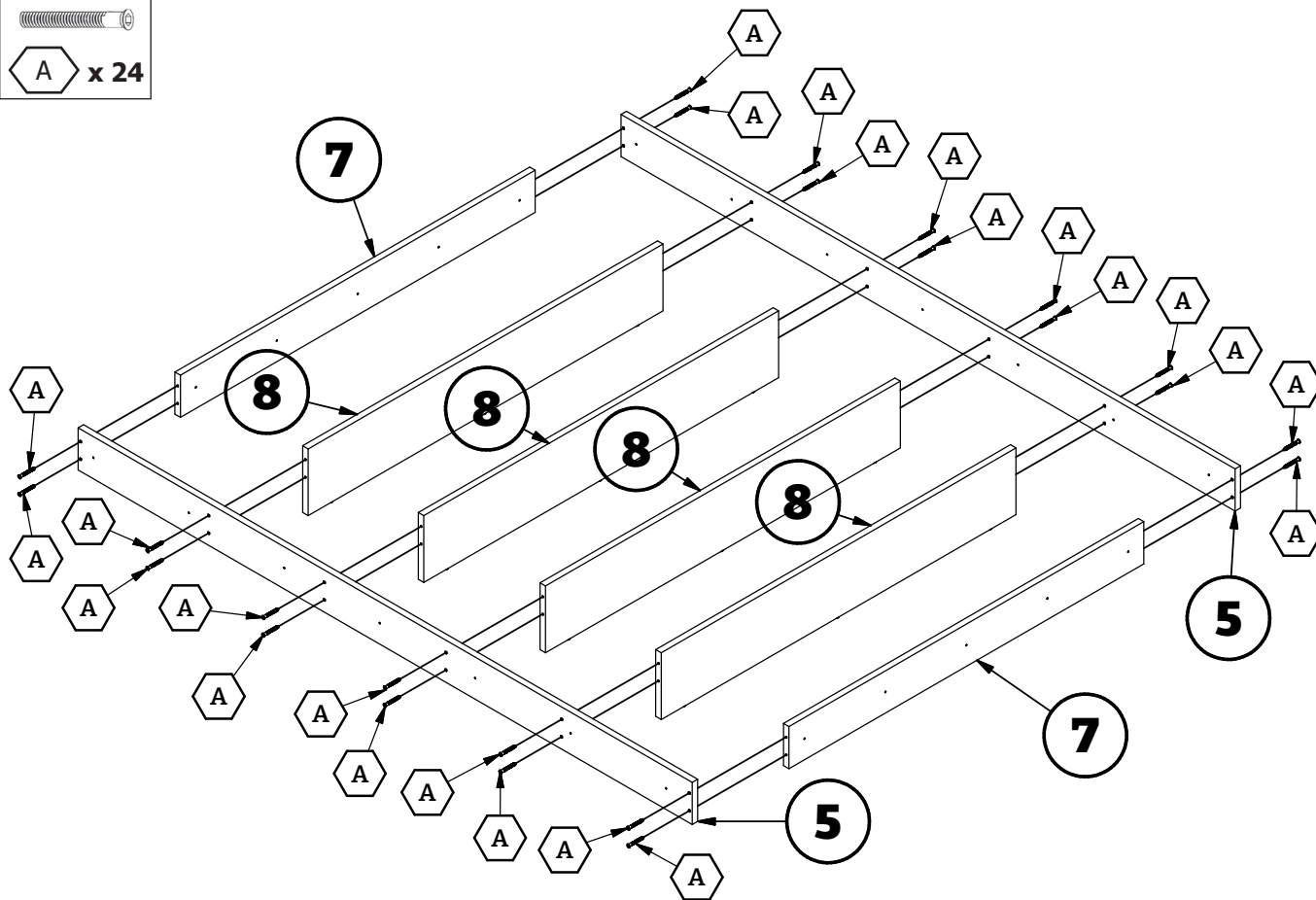
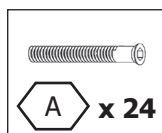
| | | |
|--|---|--|
|    <p>x 18 $\Phi 8 \times 35 \text{mm}$</p> |    <p>x 10 $\Phi 4 \times 30 \text{mm}$</p> |    <p>x 12</p> |
|   <p>x 1</p> |    <p>x 24 7×50</p> |    <p>x 12</p> |
|   <p>x 26</p> | | |

1

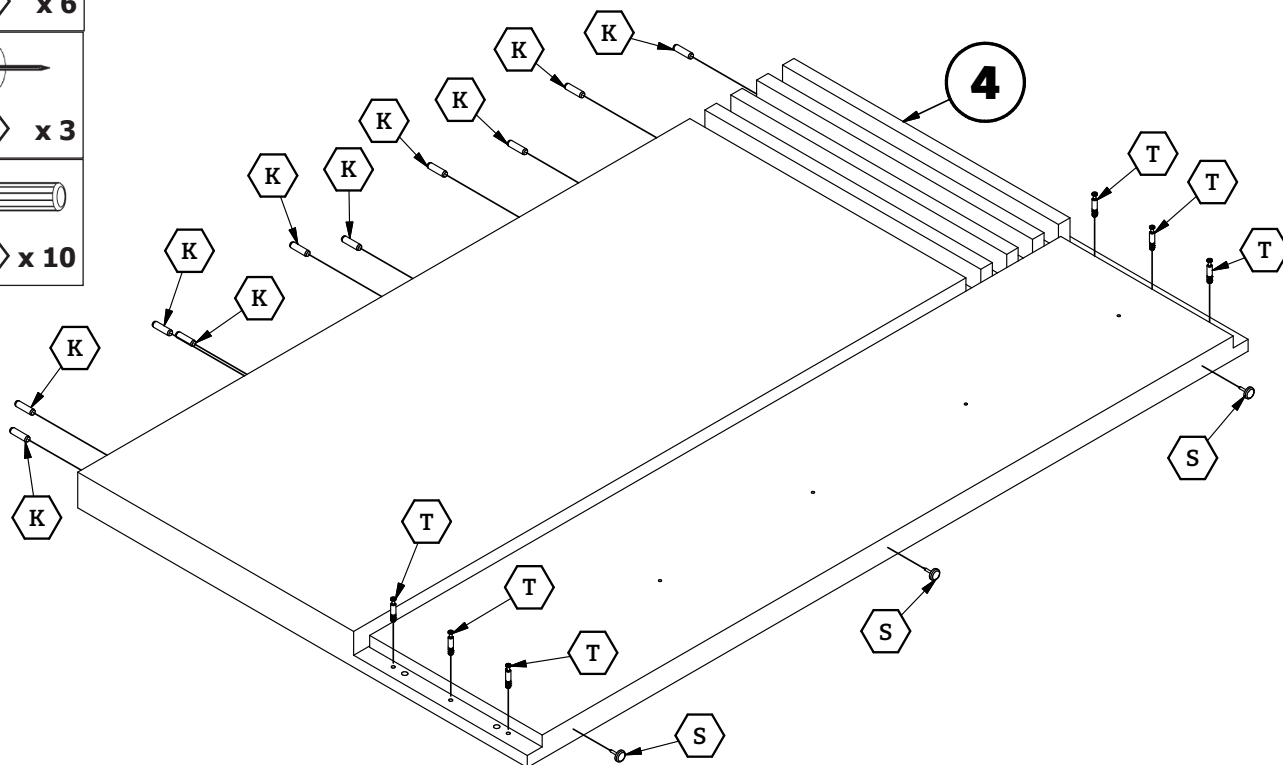
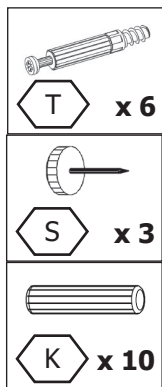


x4

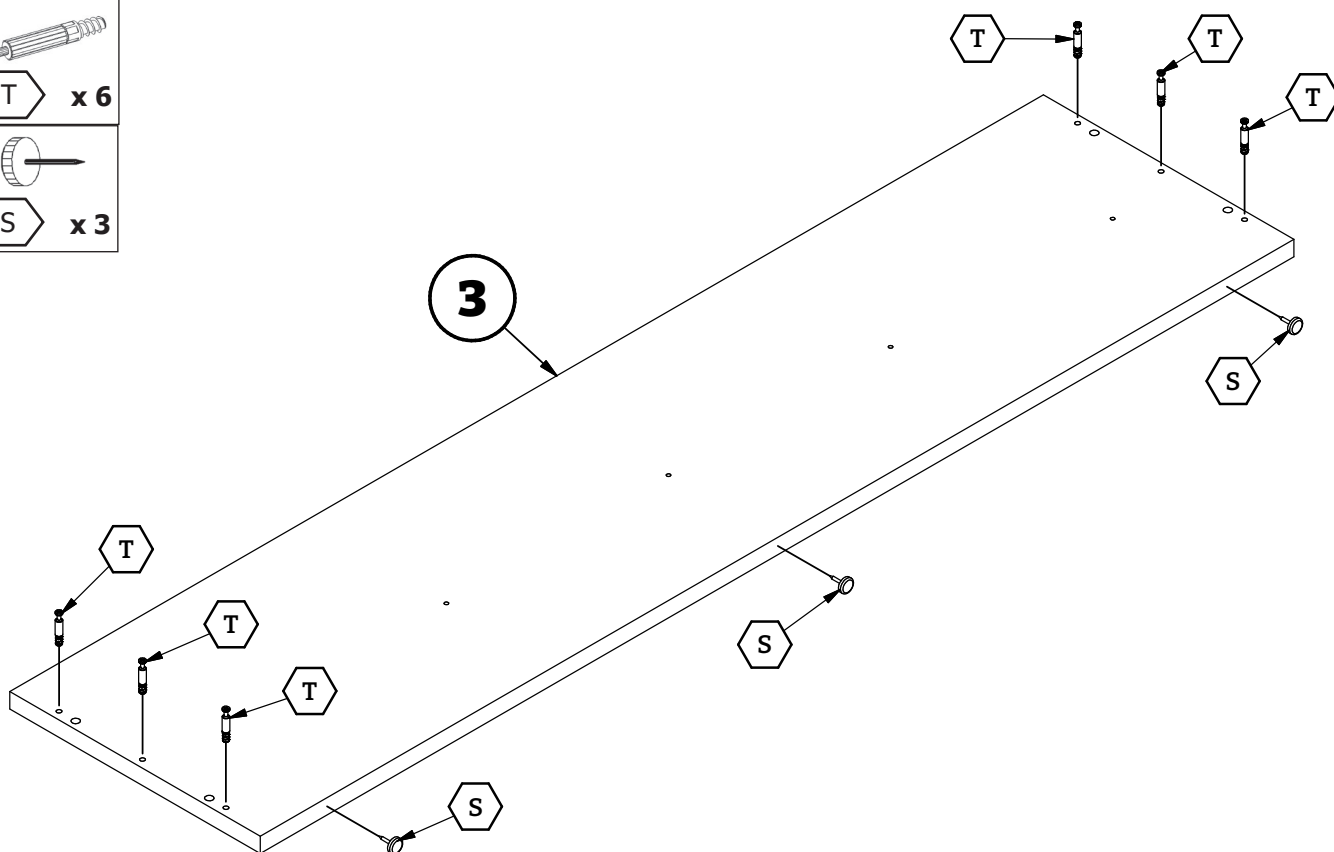
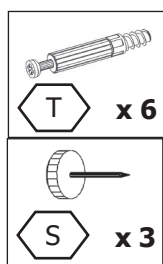
2



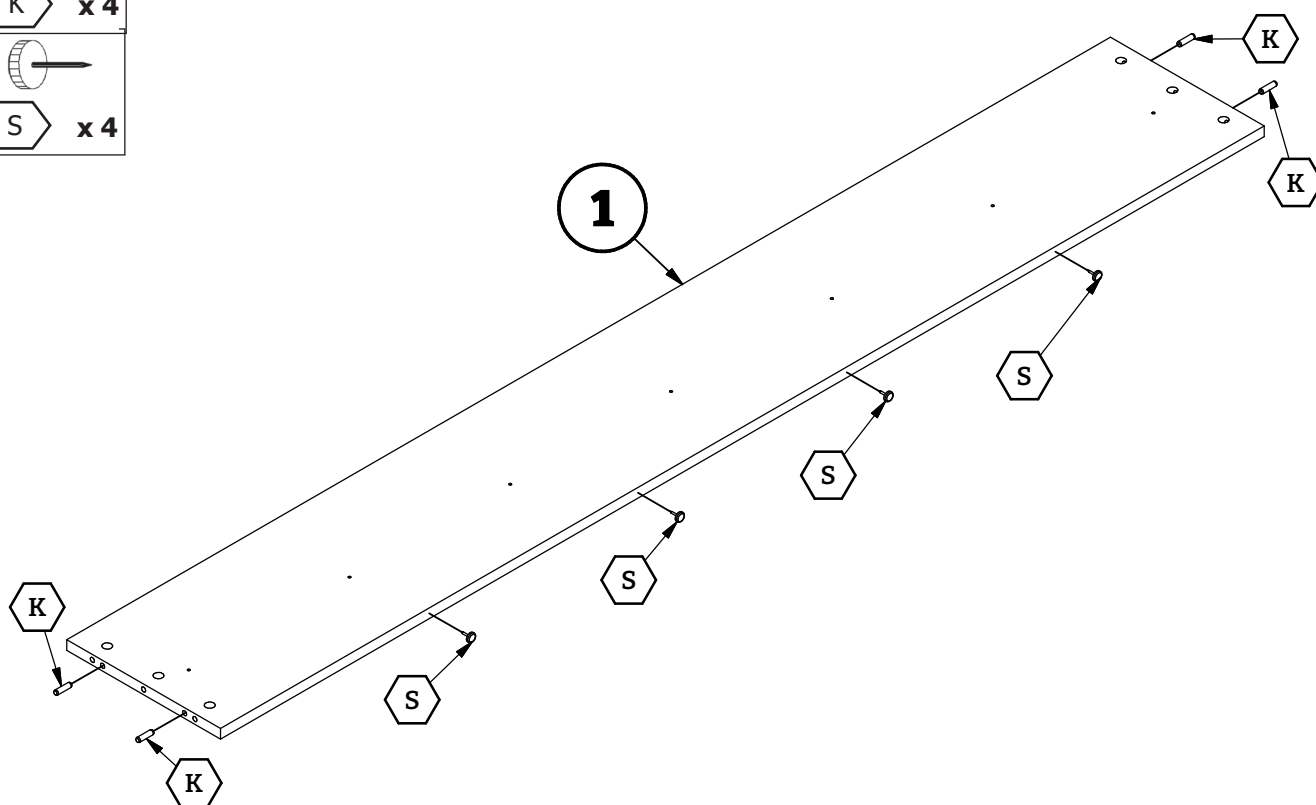
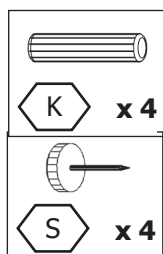
3



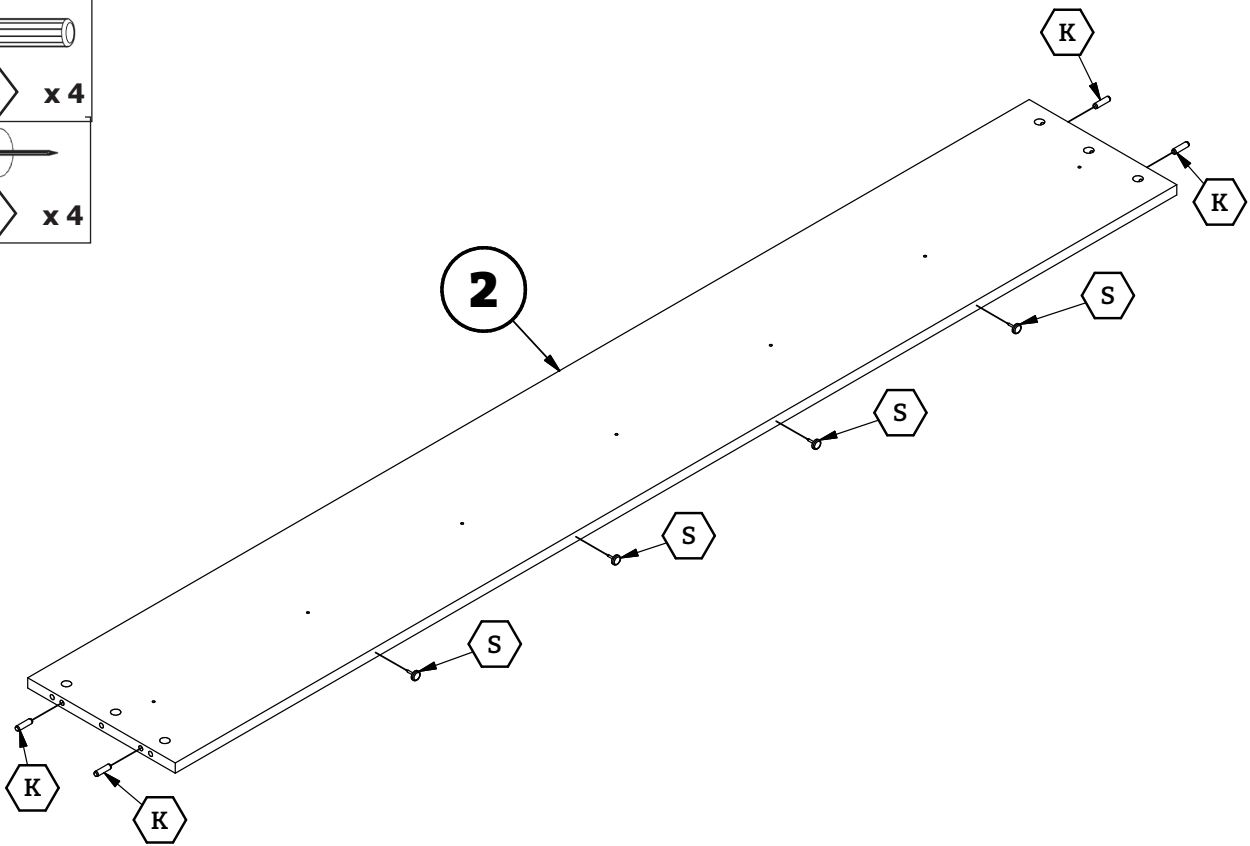
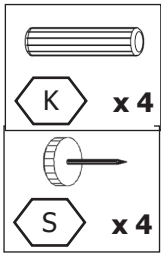
4



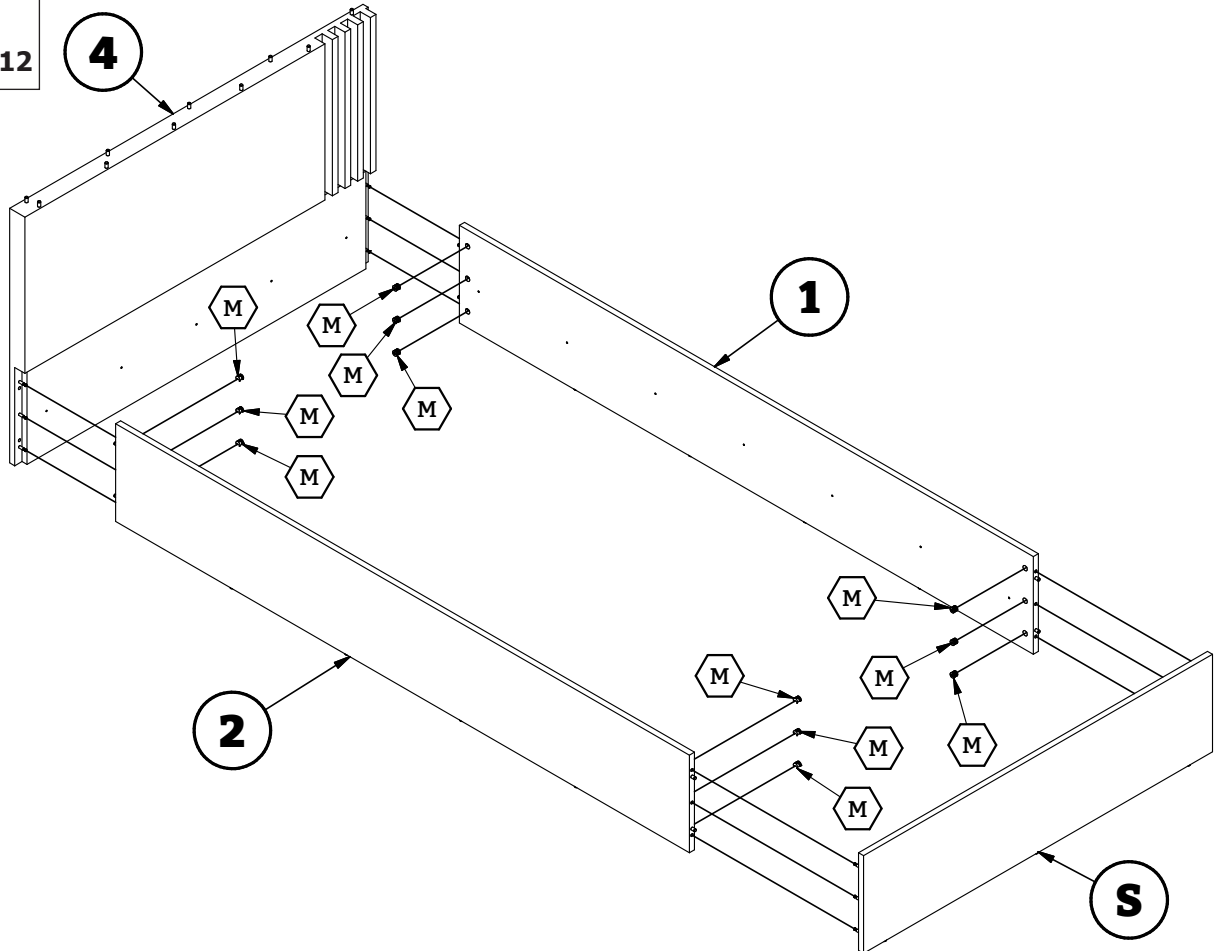
5

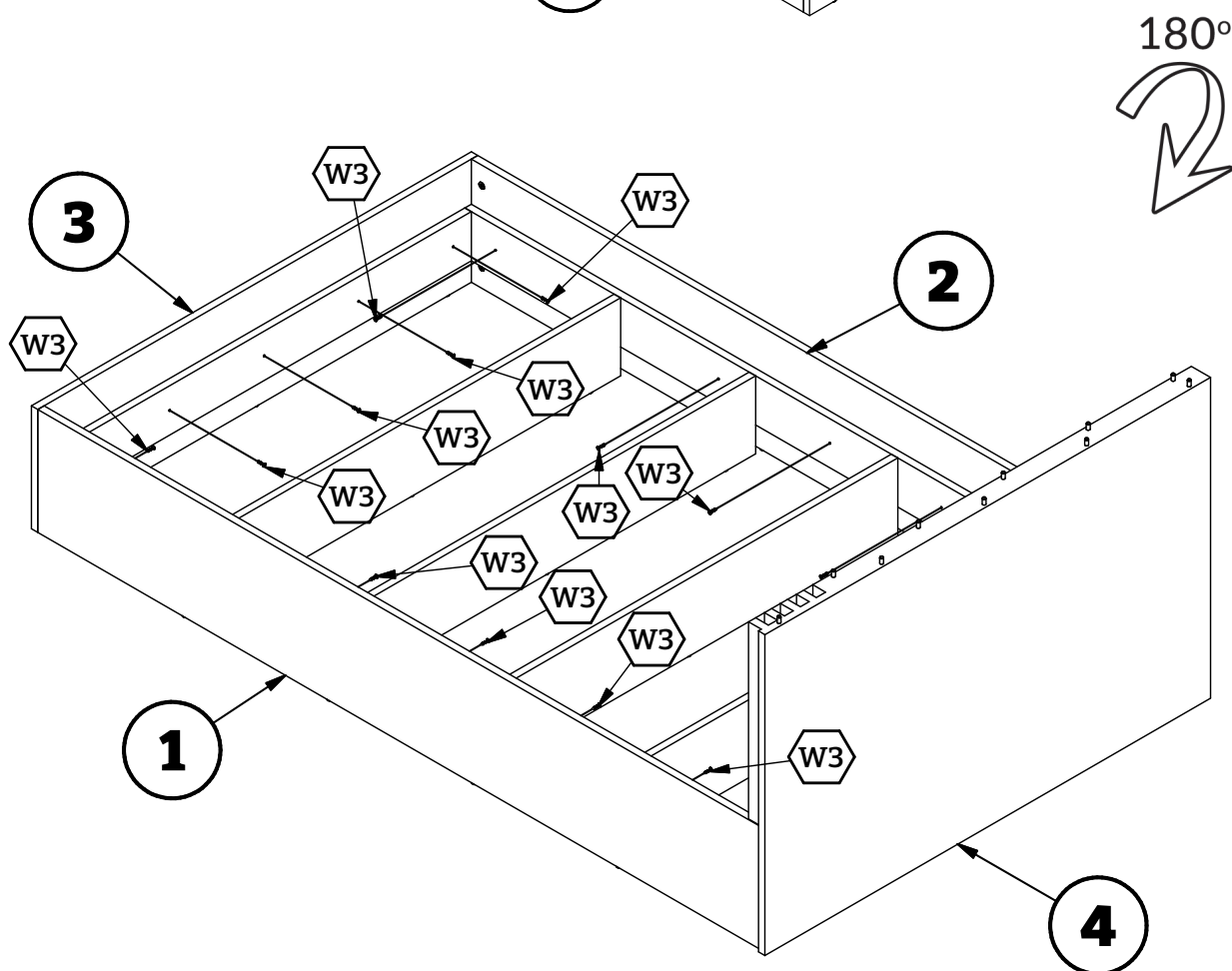
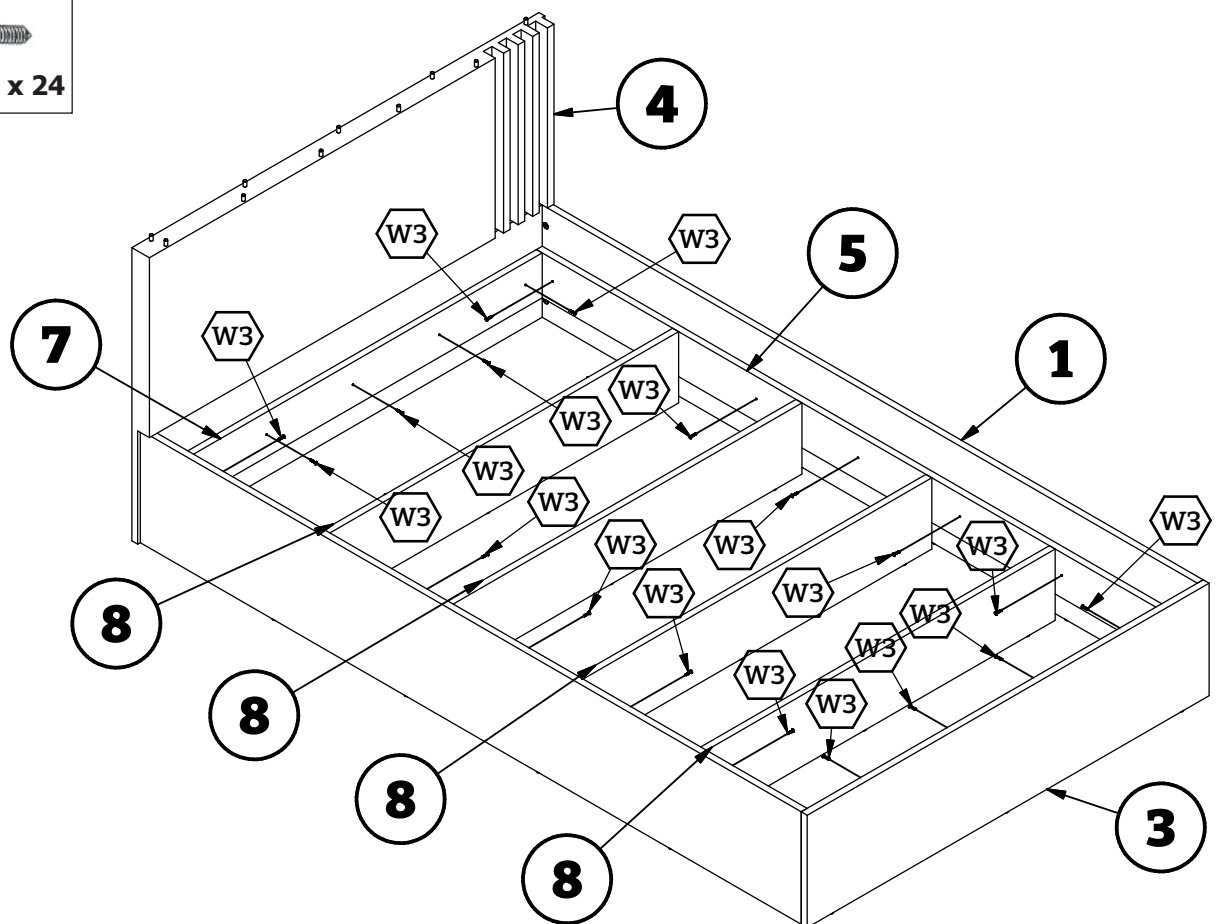
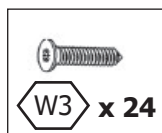


5

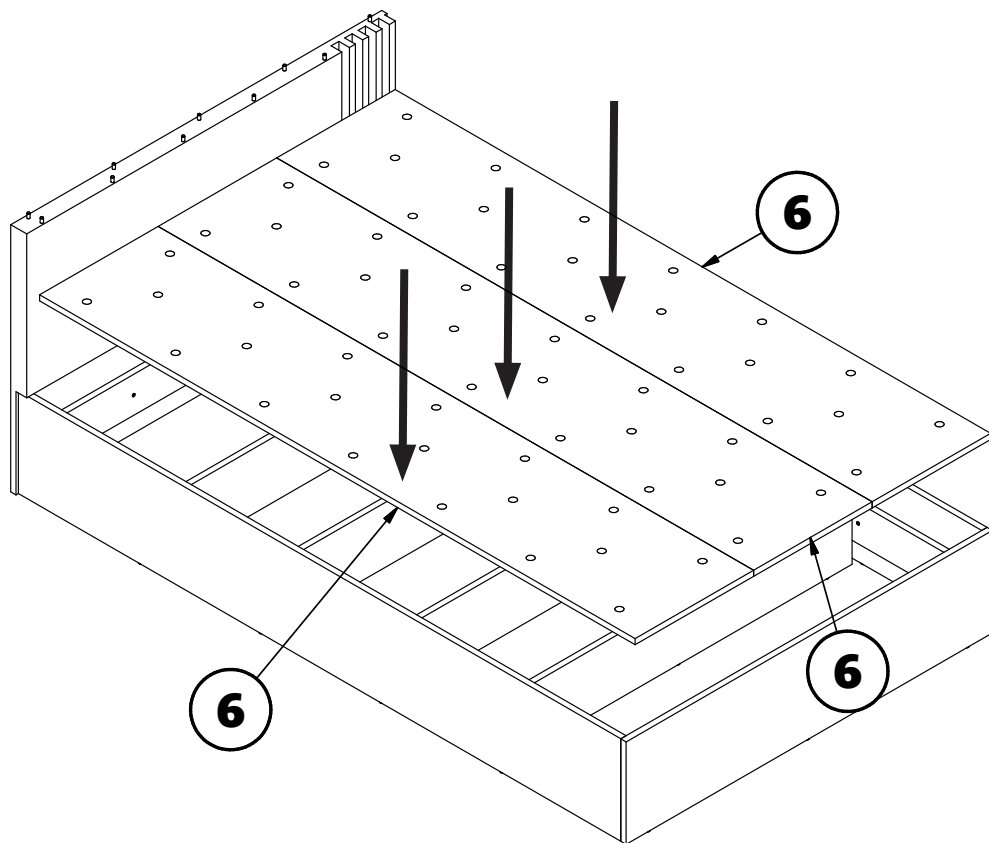


6





9



10

