



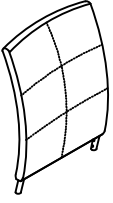
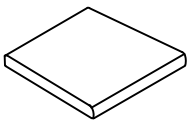
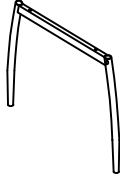

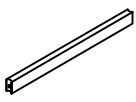

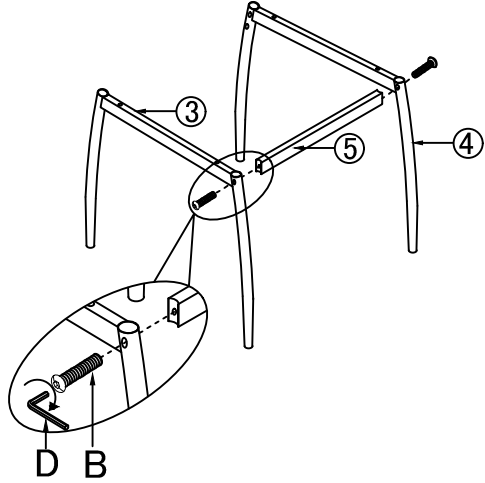
 <p>FANAI F323</p>	<p>A.(M6*10)x4</p> 	<p>B.(M6*40)x2</p> 	<p>C.(4*45)x4</p> 
	<p>D.(M4)x1</p> 		


 x1
 
 15min

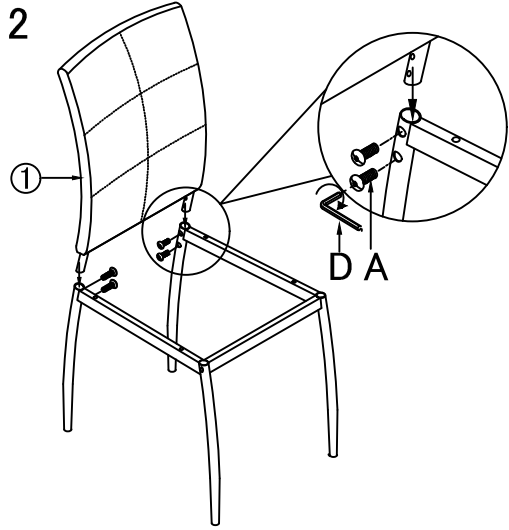
 <p>① x1</p>	 <p>② x1</p>	 <p>③ x1</p>	 <p>④ x1</p>	 <p>⑤ x1</p>
--	---	--	--	---

75%  1




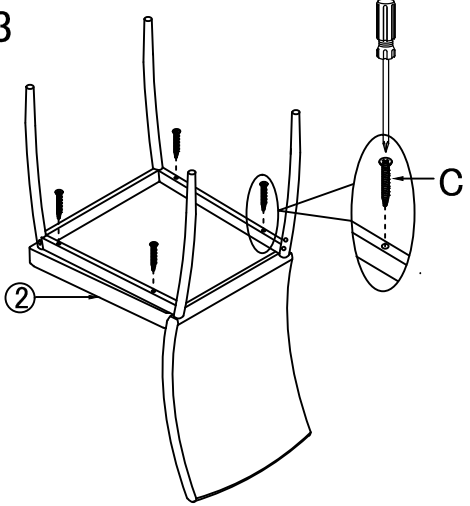
D B

75%  2




D A

75%  3



C

100%  4

