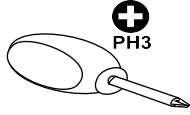
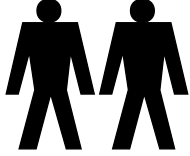


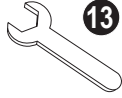
LILLY / LILLI / FEDE



30min

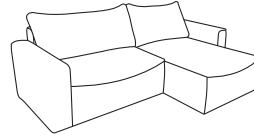


PH3

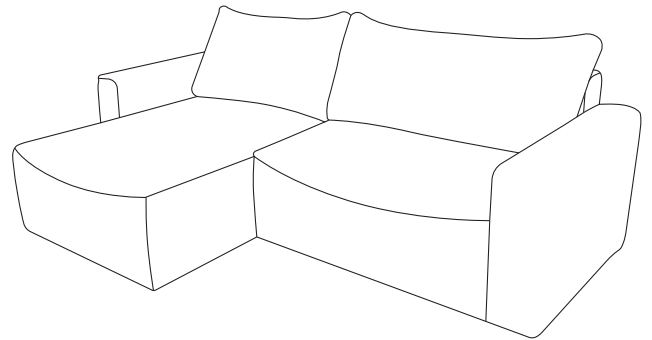
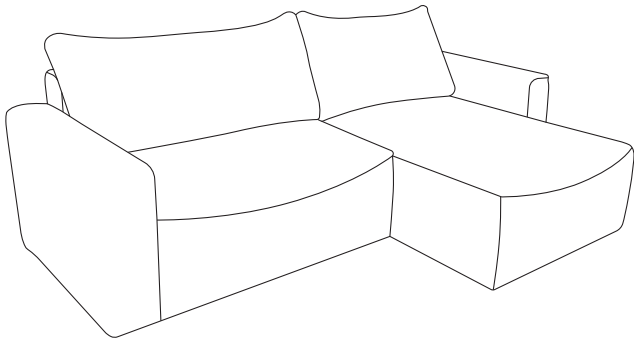
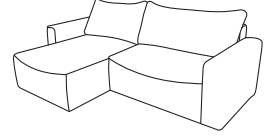


13

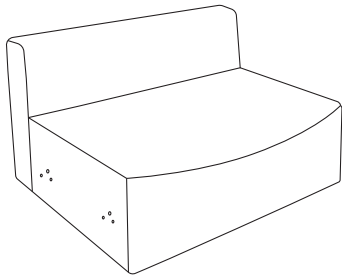
1 → 7



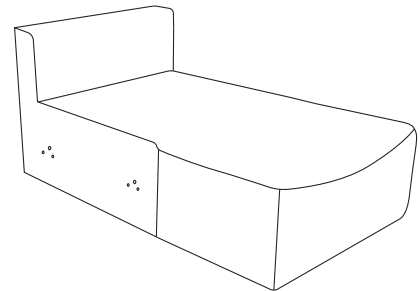
8 → 14



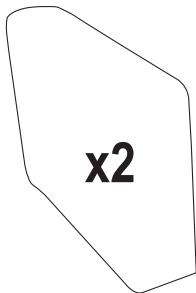
I



II

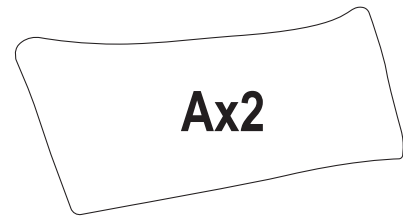


III



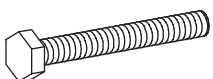
x2

IV



Ax2

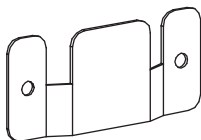
Bx4



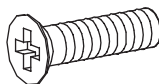
8x60

13

Cx4



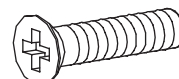
Dx4



6x20

PH3

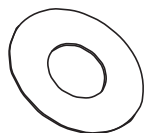
Ex4



6x30

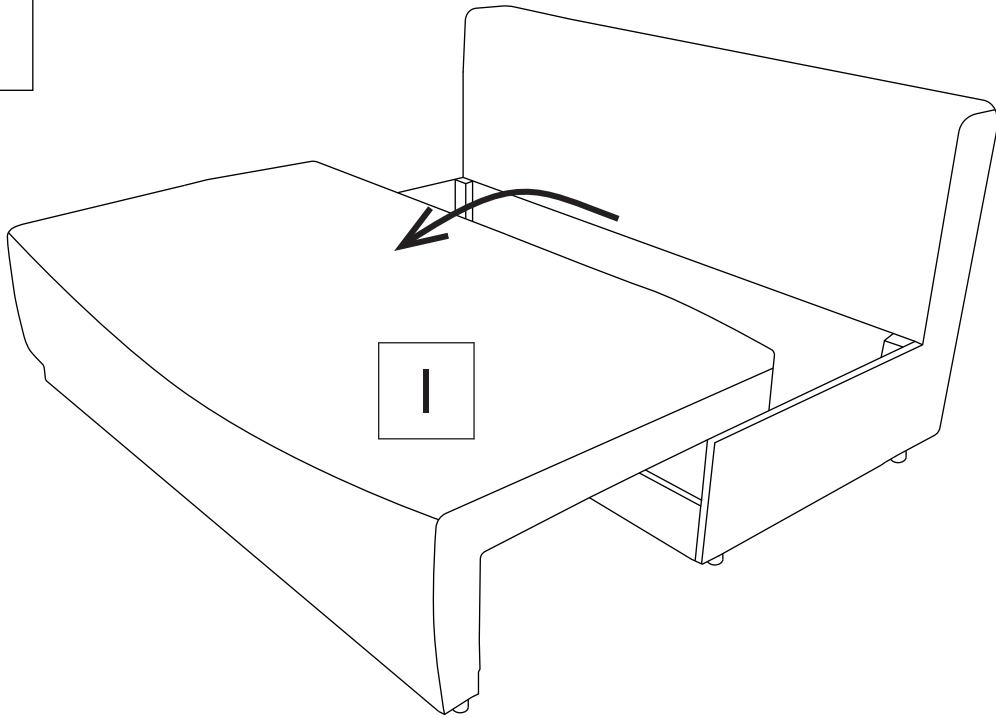
PH3

Fx4

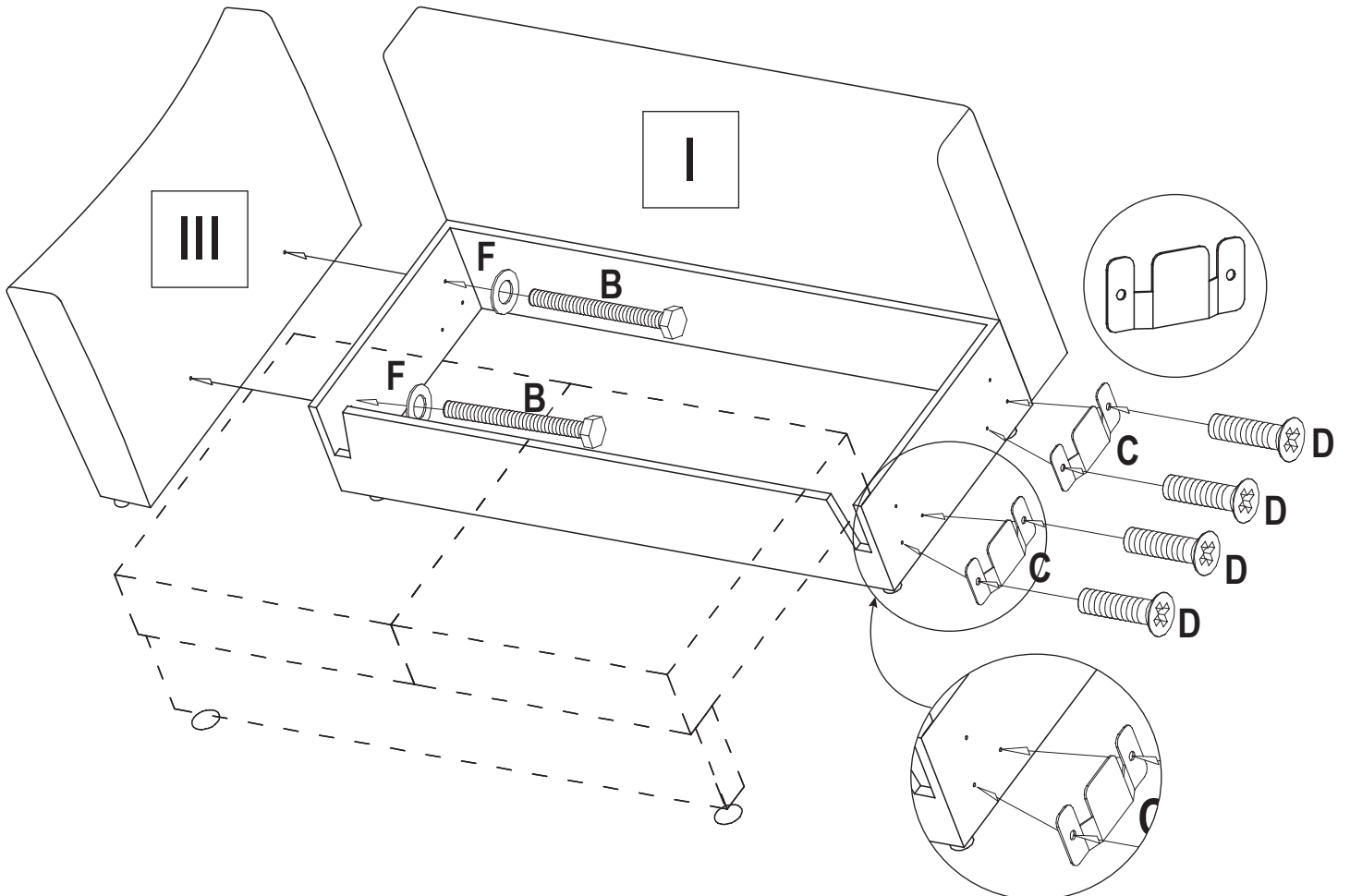
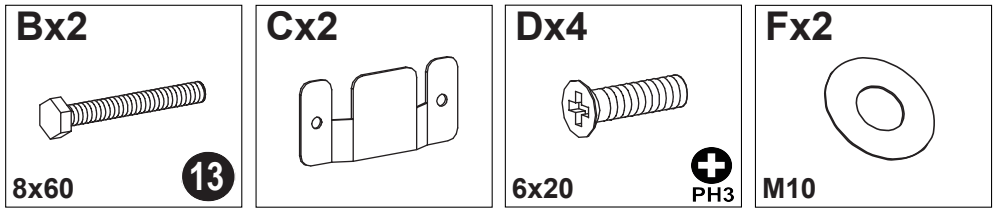


Ø10

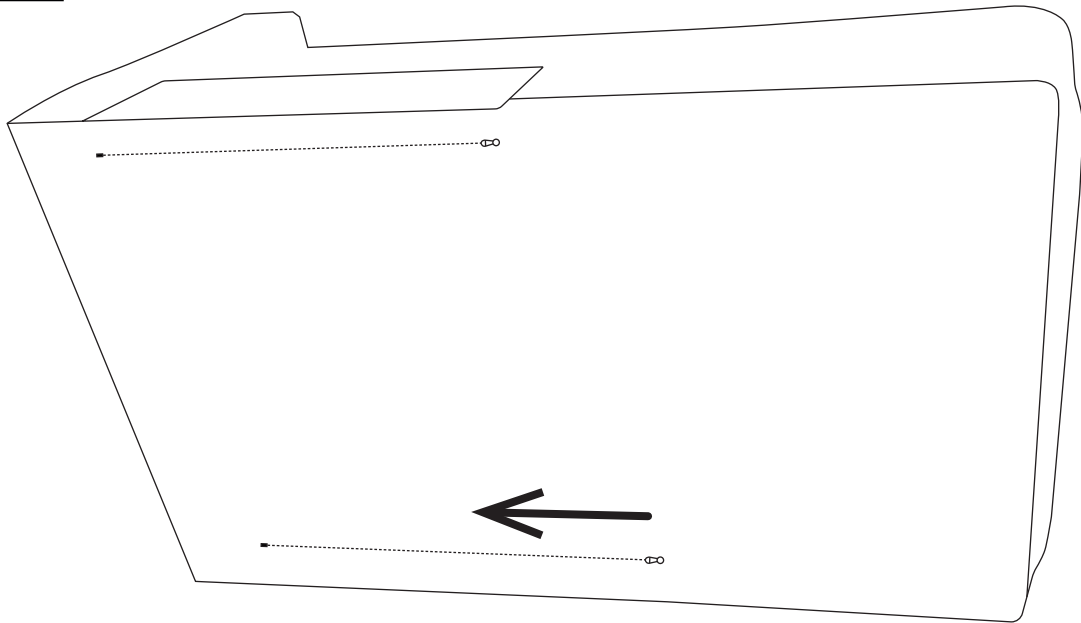
1



2

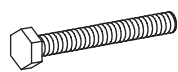


3



4

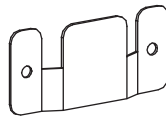
Bx2



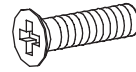
8x60

13

Cx2



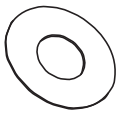
Ex4



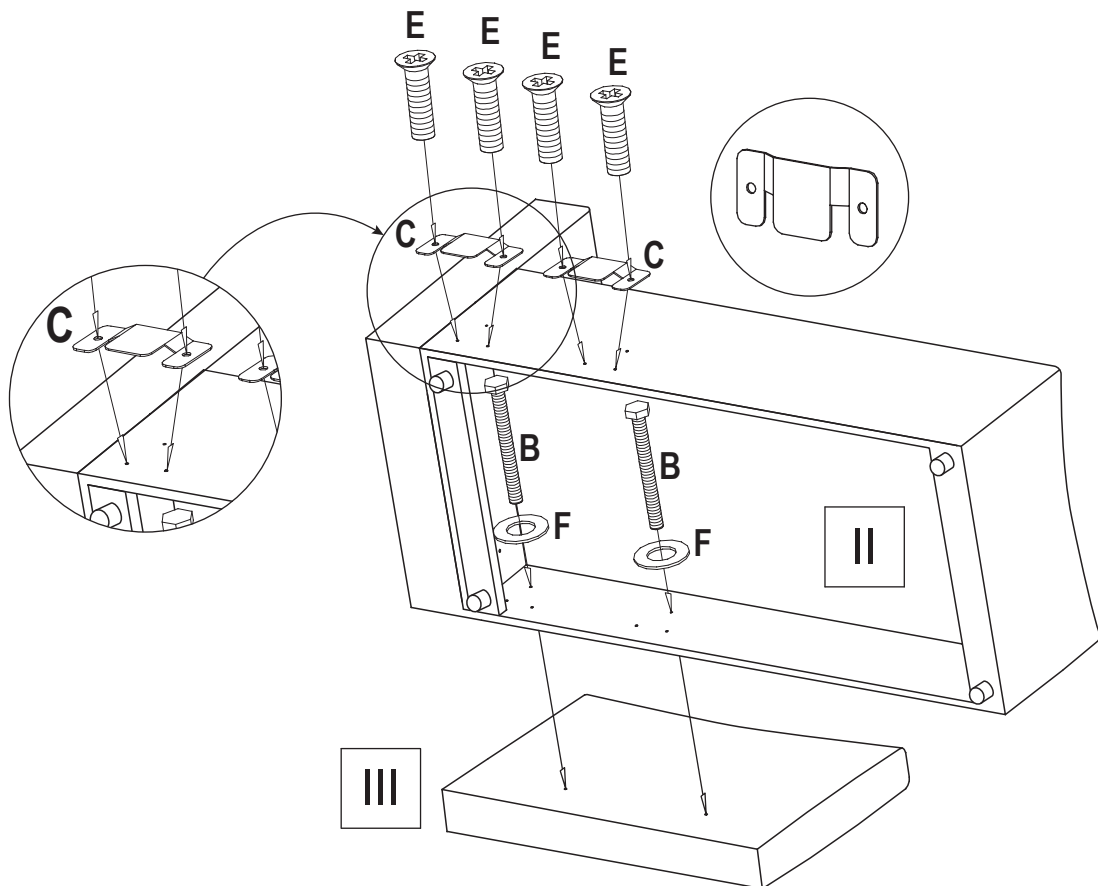
6x30

PH3

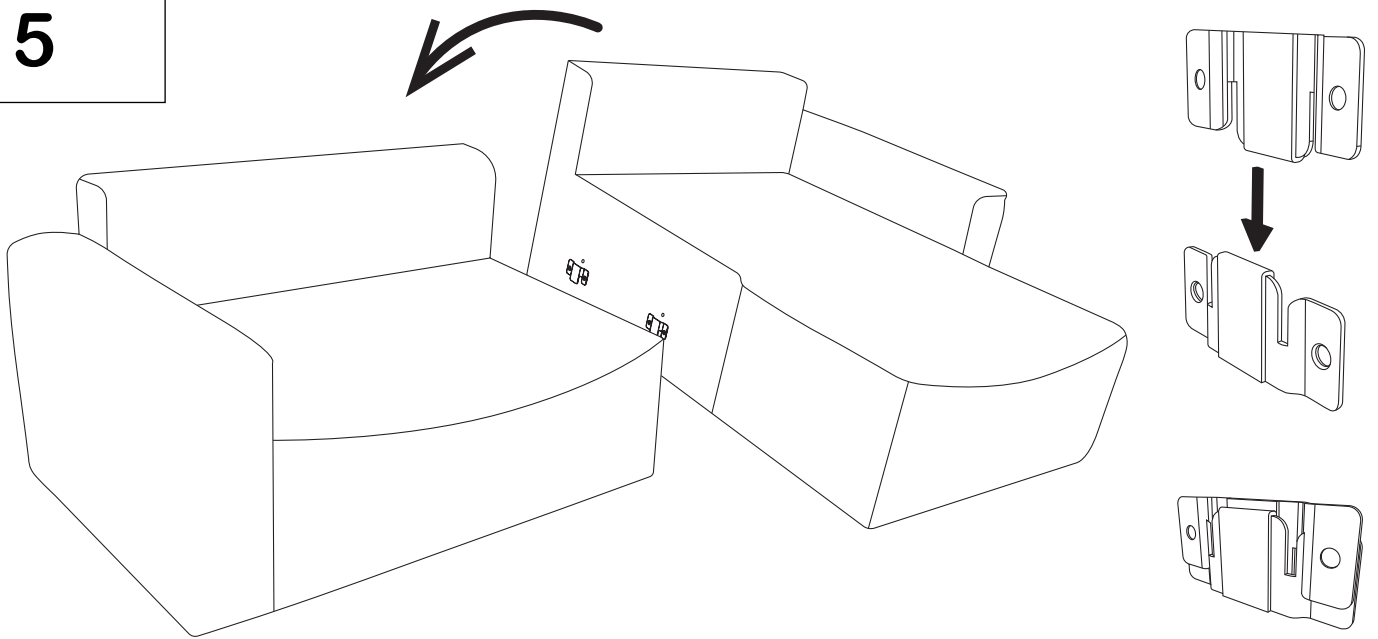
Fx2



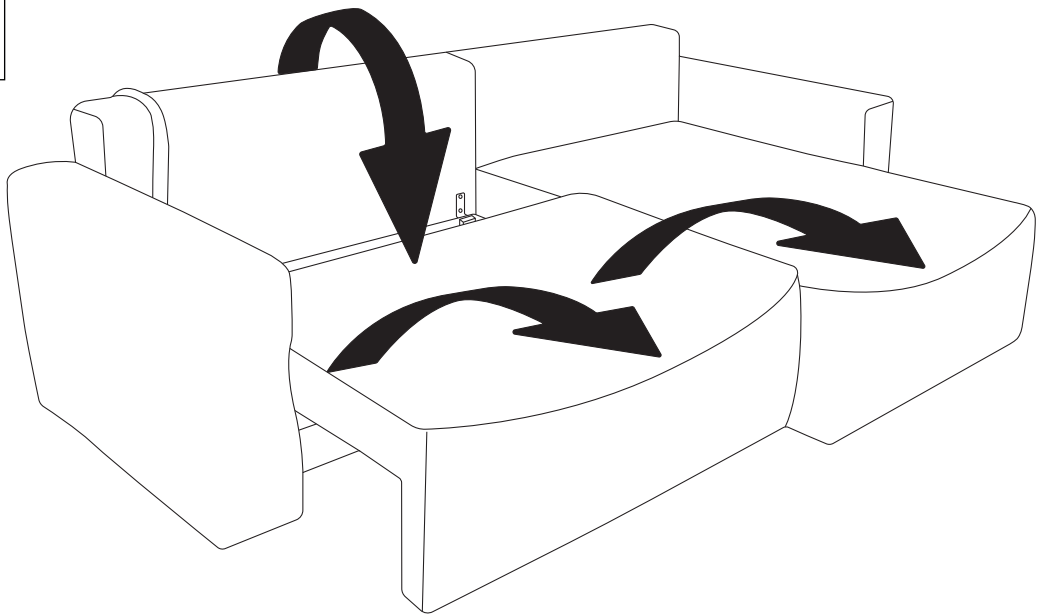
M10



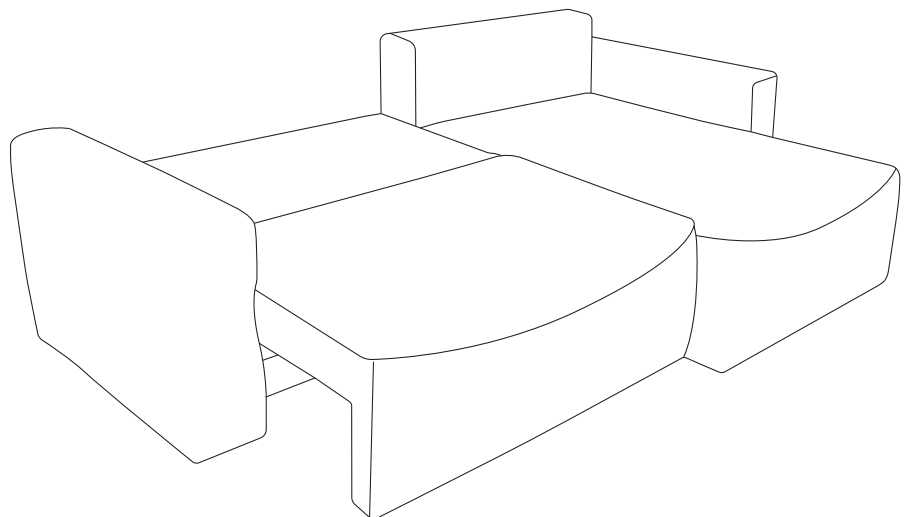
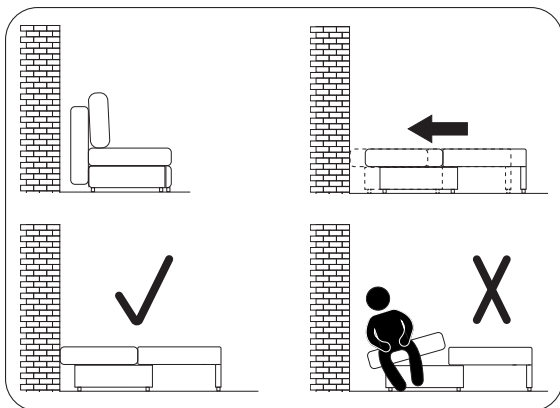
5



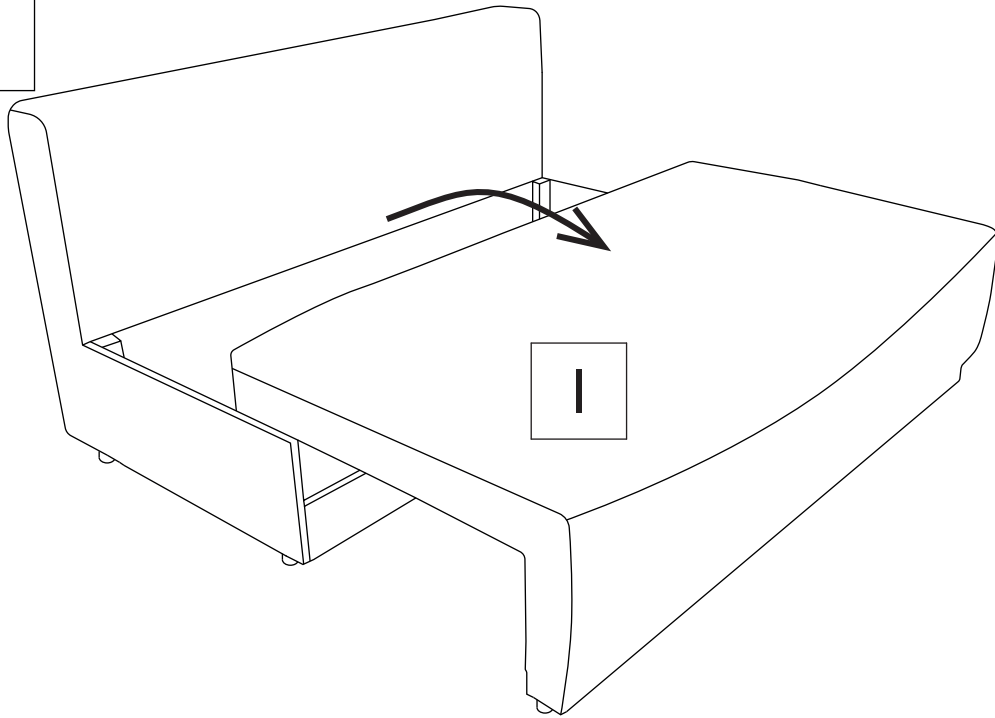
6



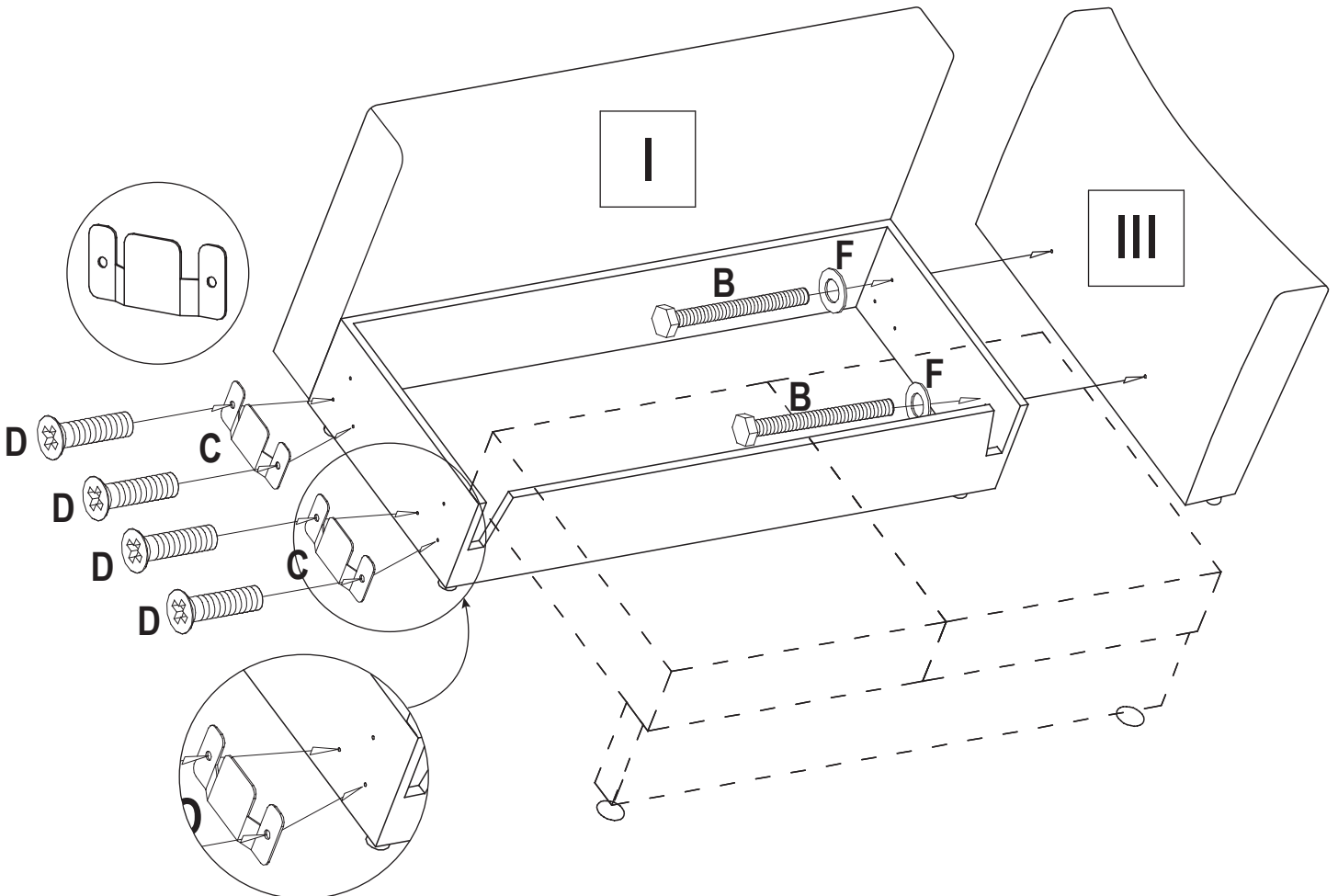
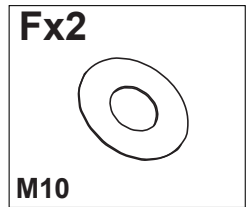
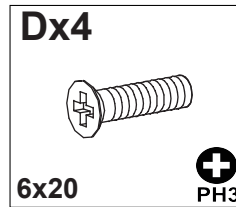
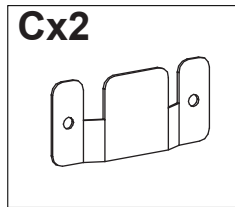
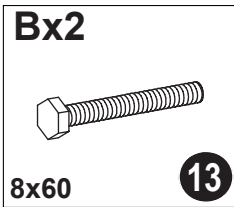
7



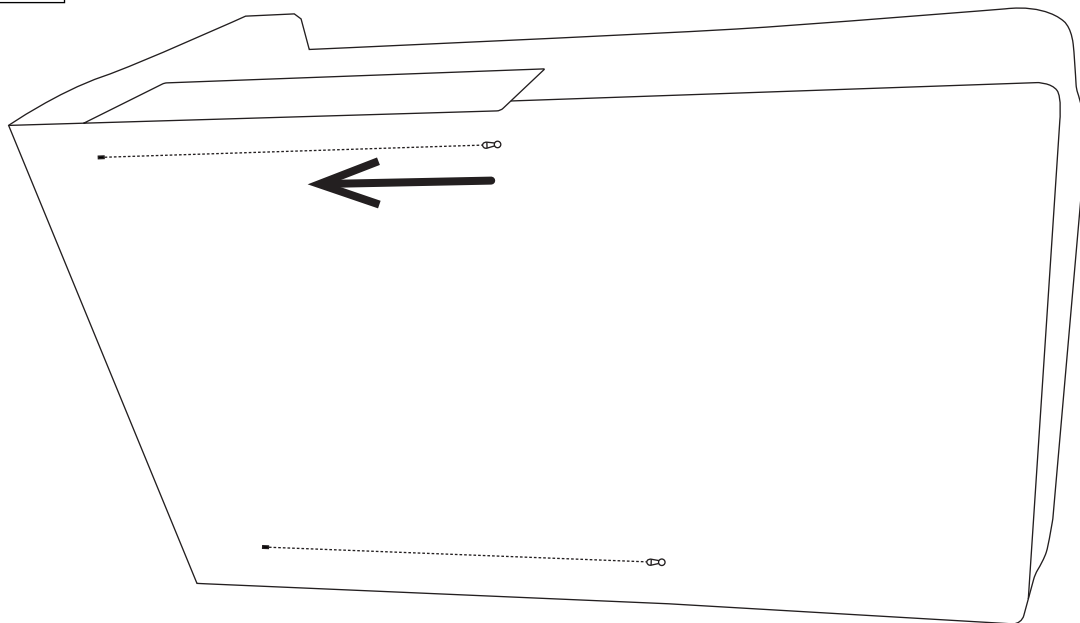
8



9

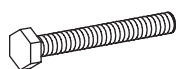


10



11

Bx2



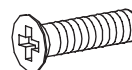
8x60

13

Cx2



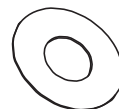
Ex4



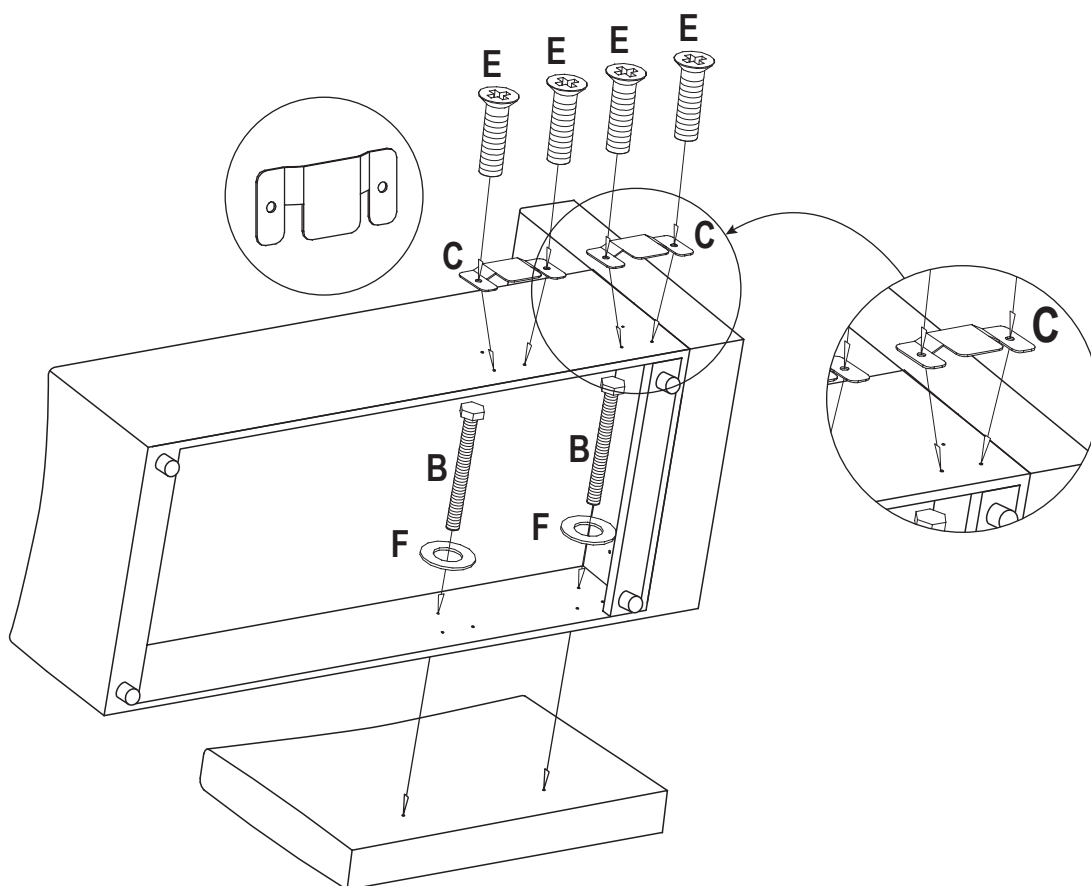
6x30

PH3

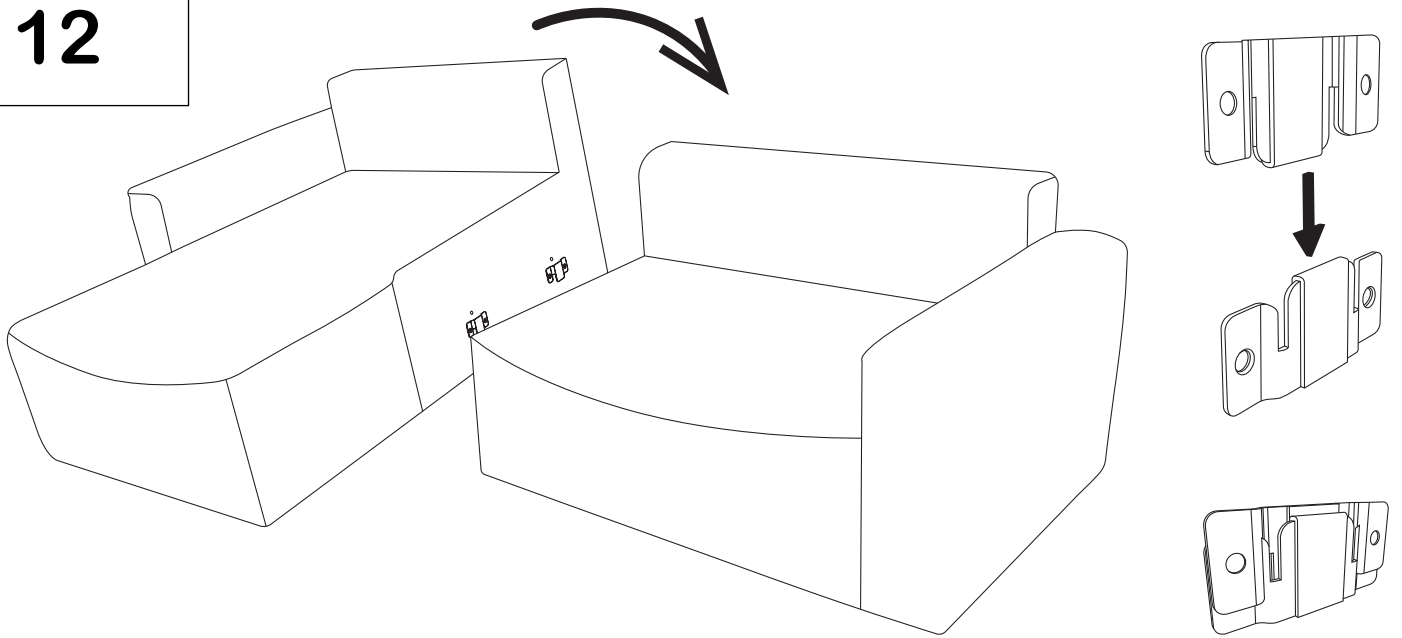
Fx2



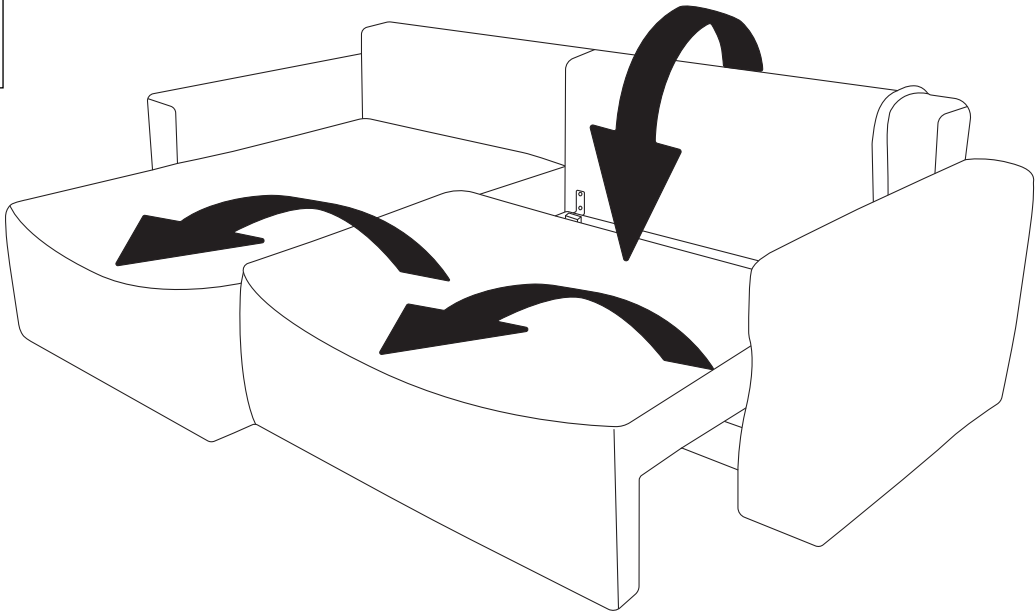
M10



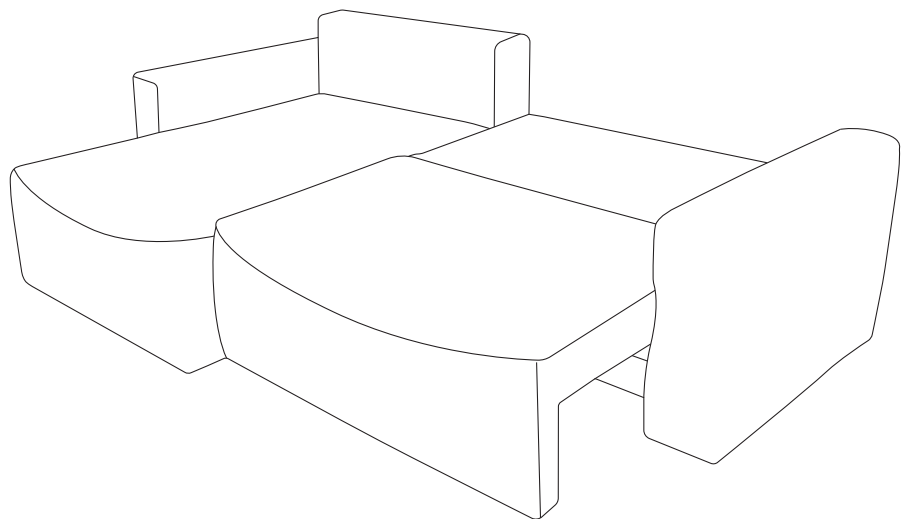
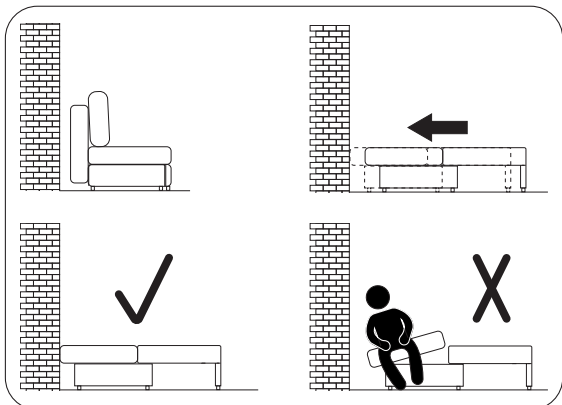
12



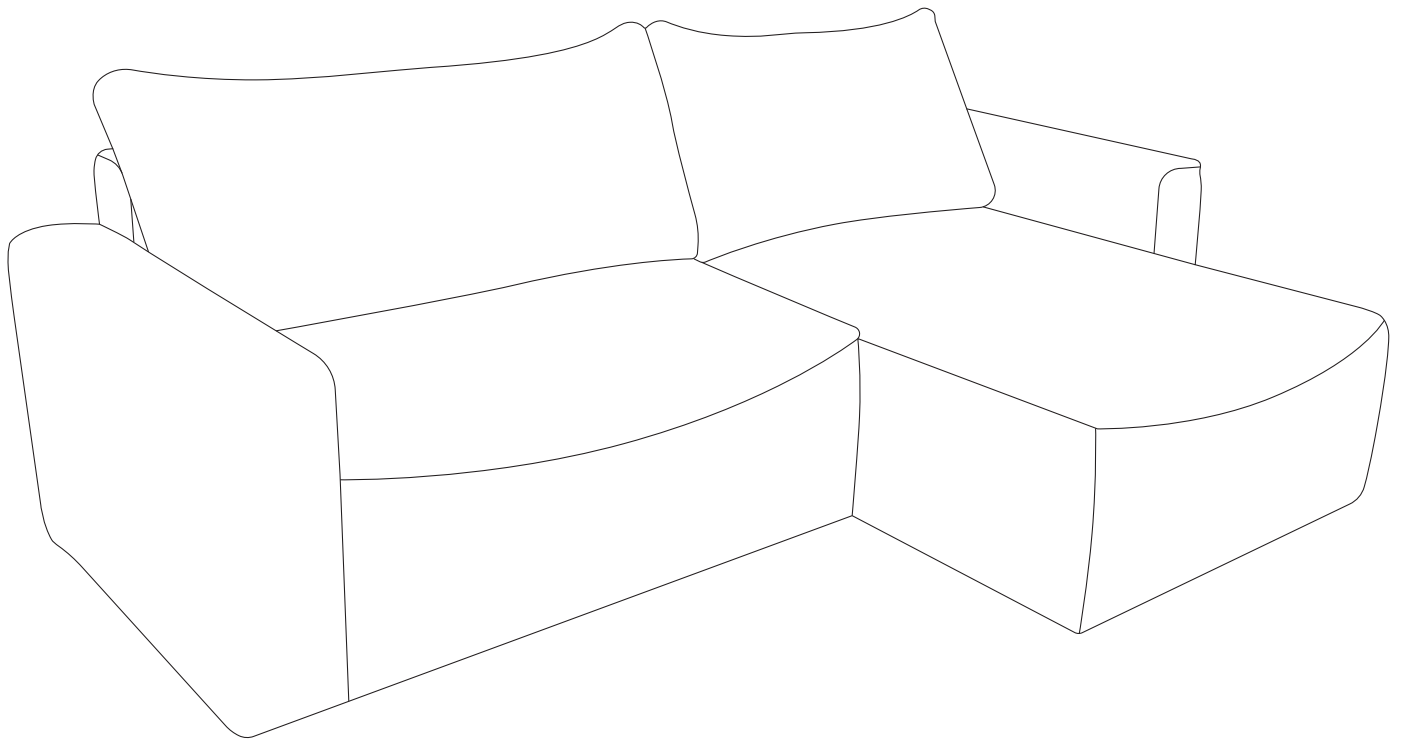
13



14



LILLY / LILLI



FEDE

