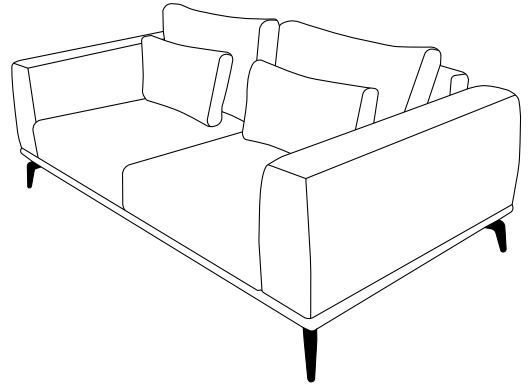
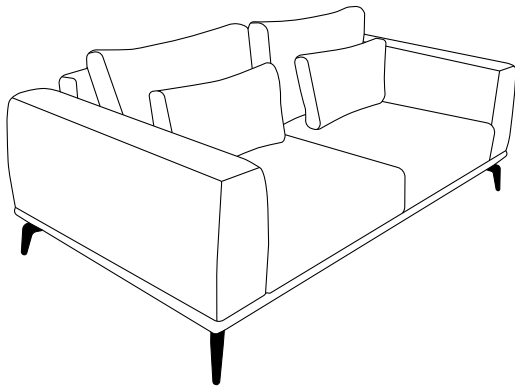
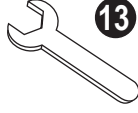
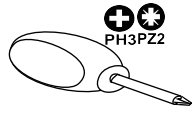
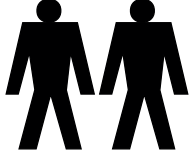
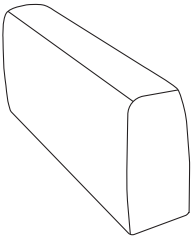


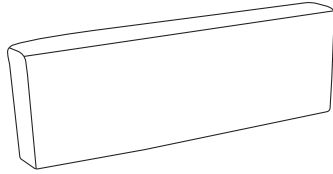
# AVIGNON



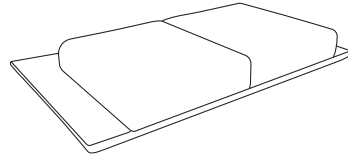
I



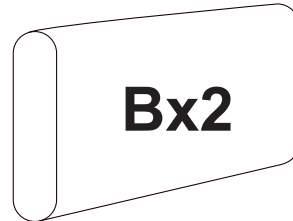
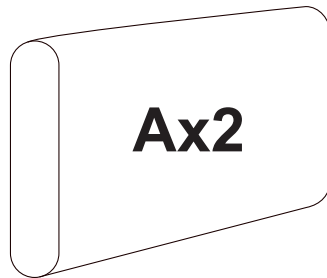
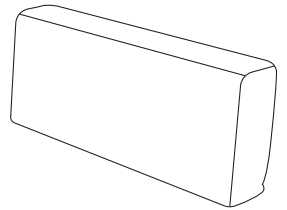
II



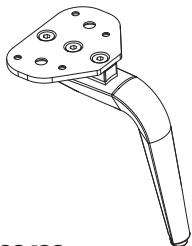
III



IV

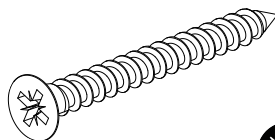


Cx4



H=160 mm

Dx16

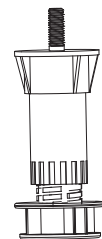


5x50



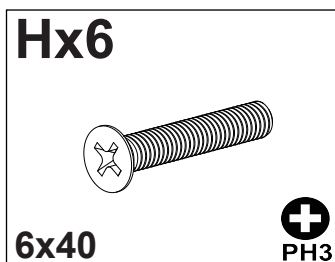
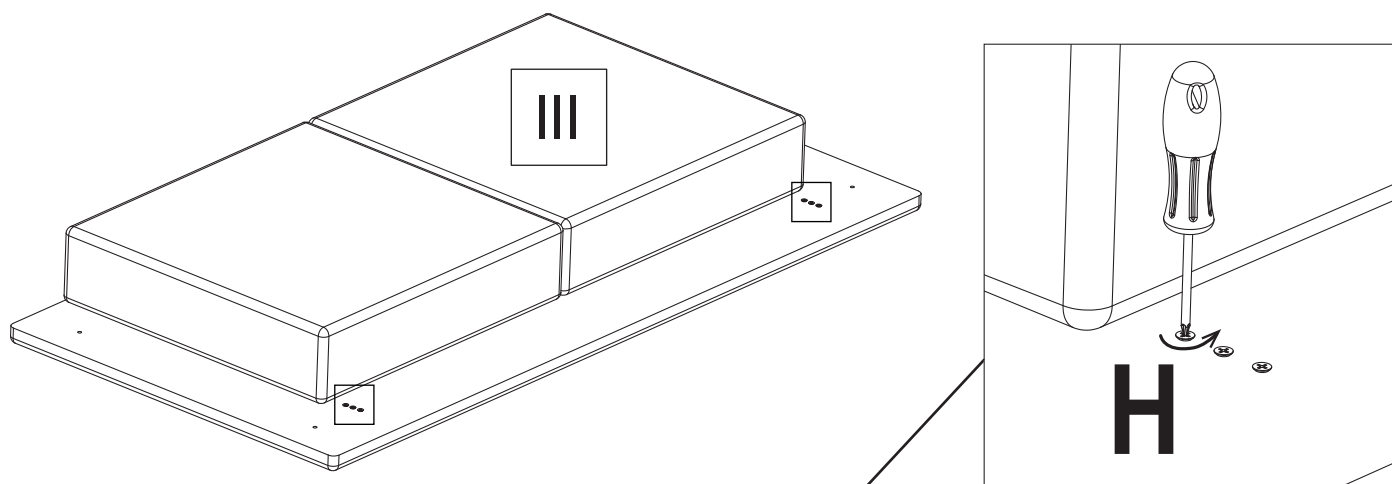
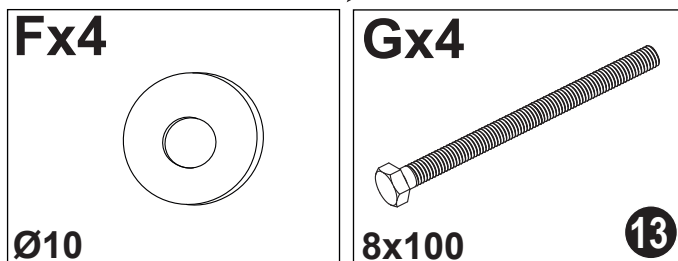
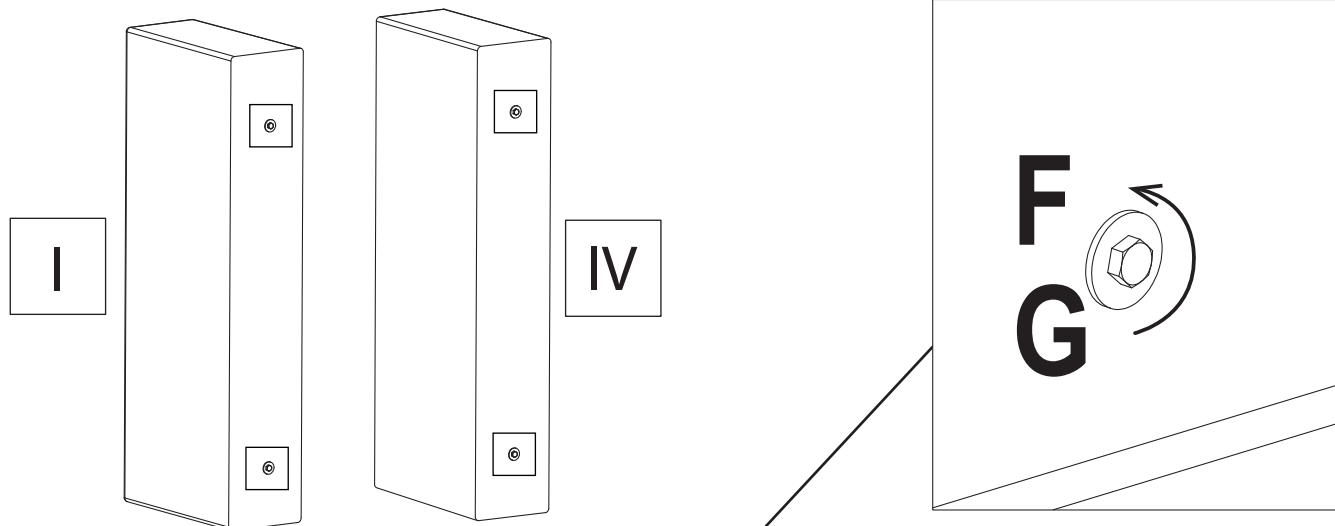
PZ2

Ex1



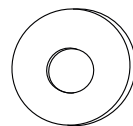
H=90-140 mm

1



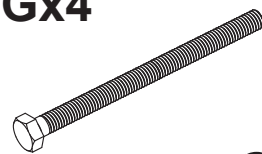
2

Fx4



Ø10

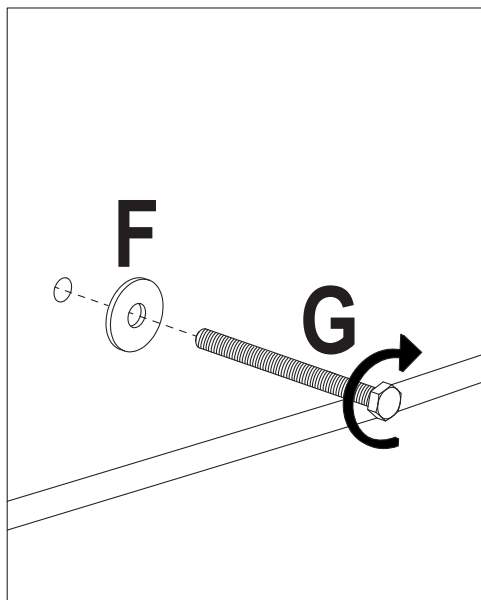
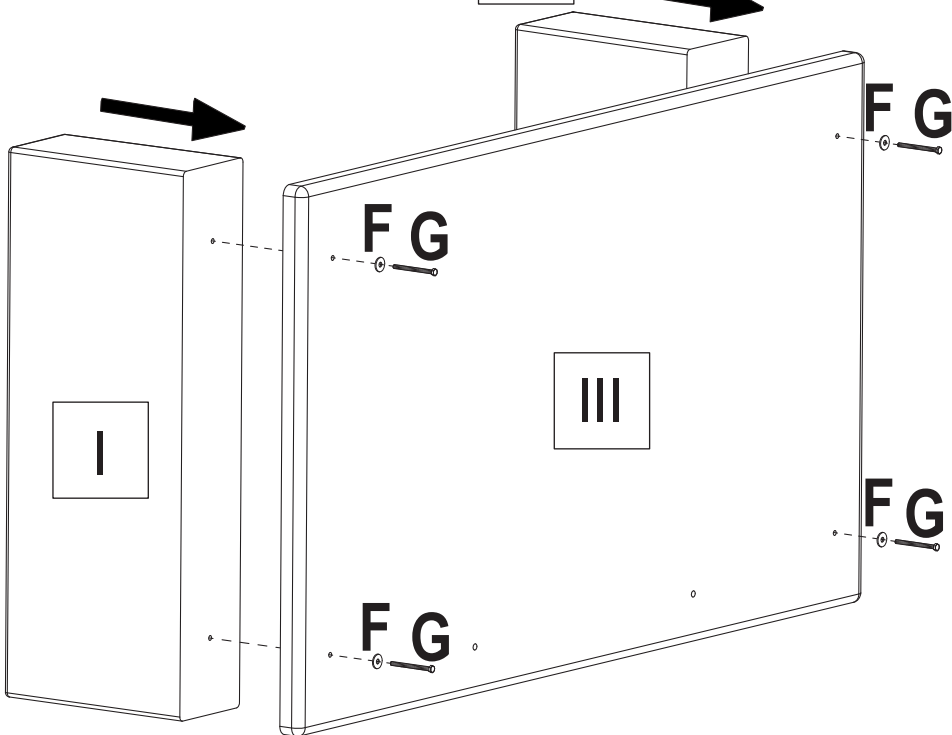
Gx4



8x100

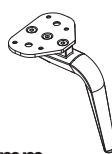
13

IV



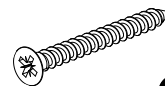
3

Cx4



H=160 mm

Dx16

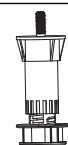


5x50

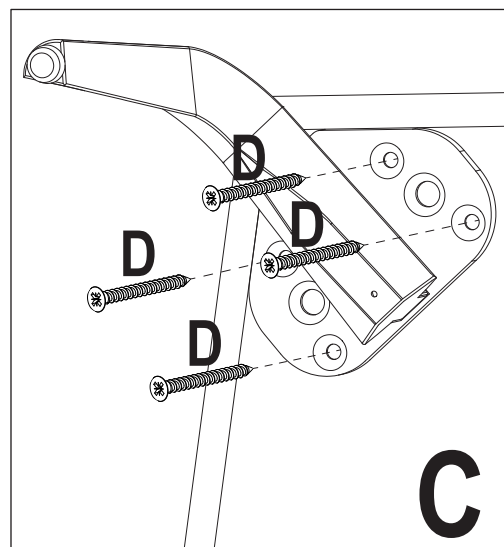
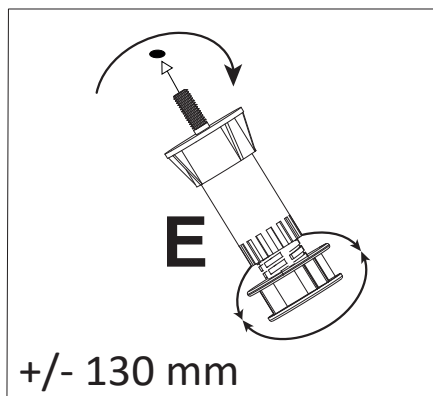
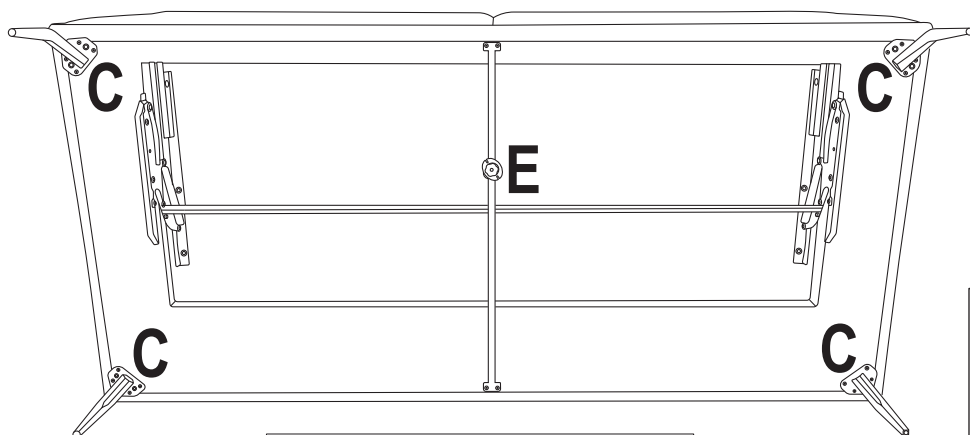


PZ2

Ex1

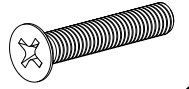


H=90-140 mm



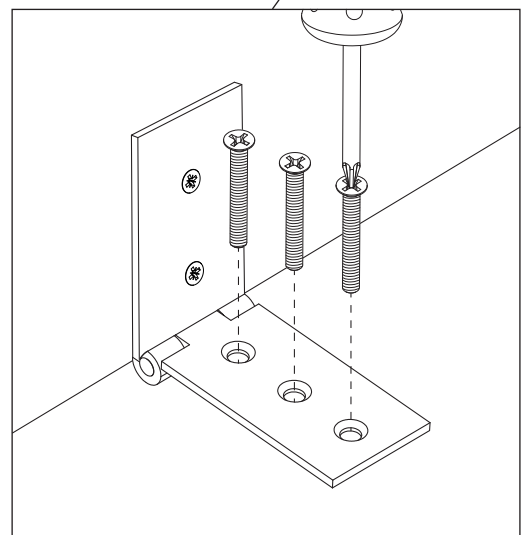
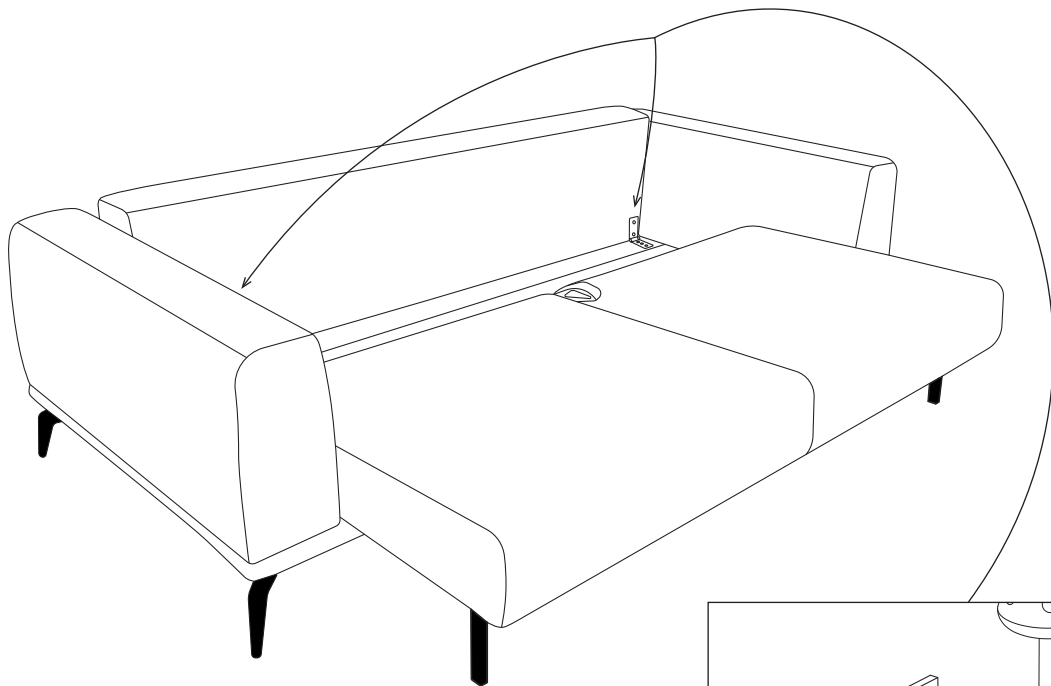
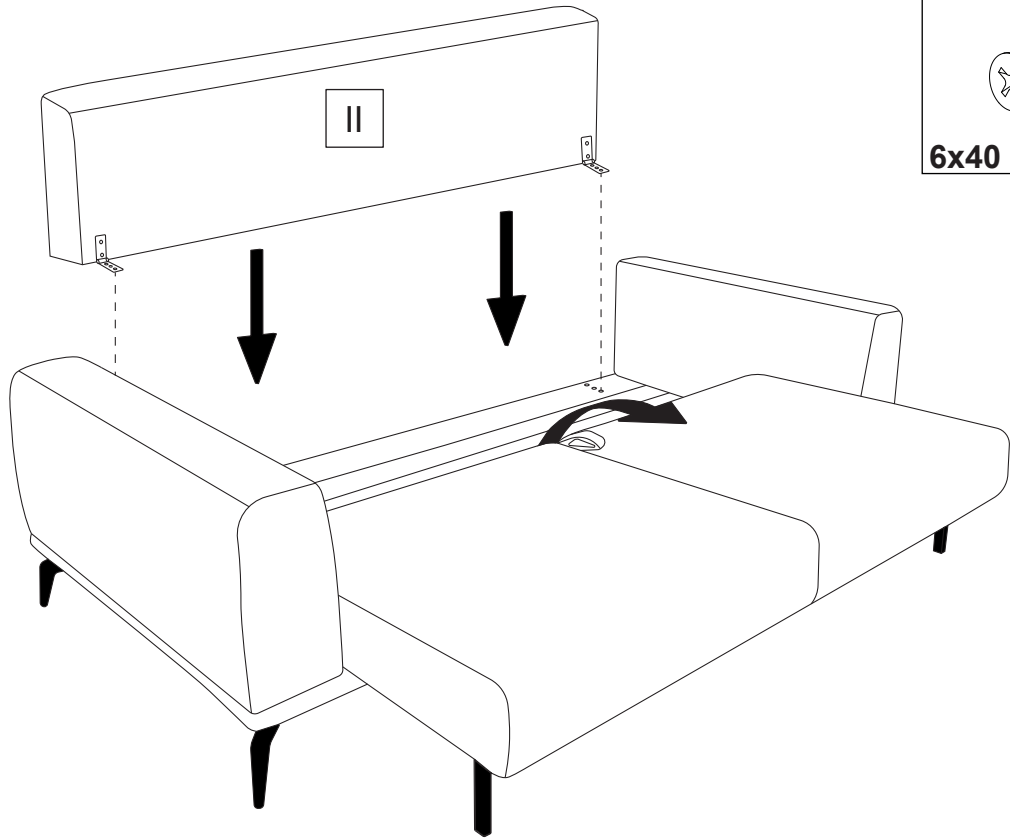
4

Hx6

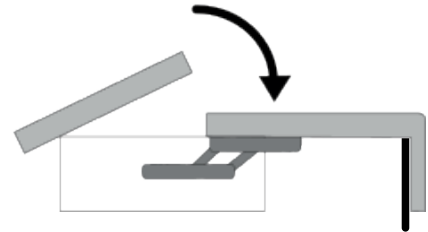
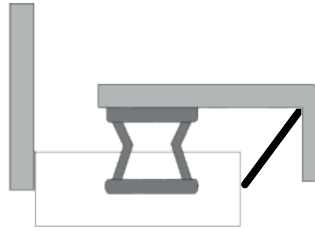
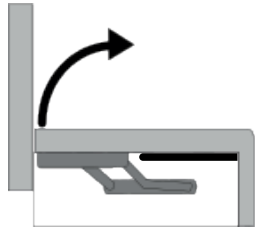
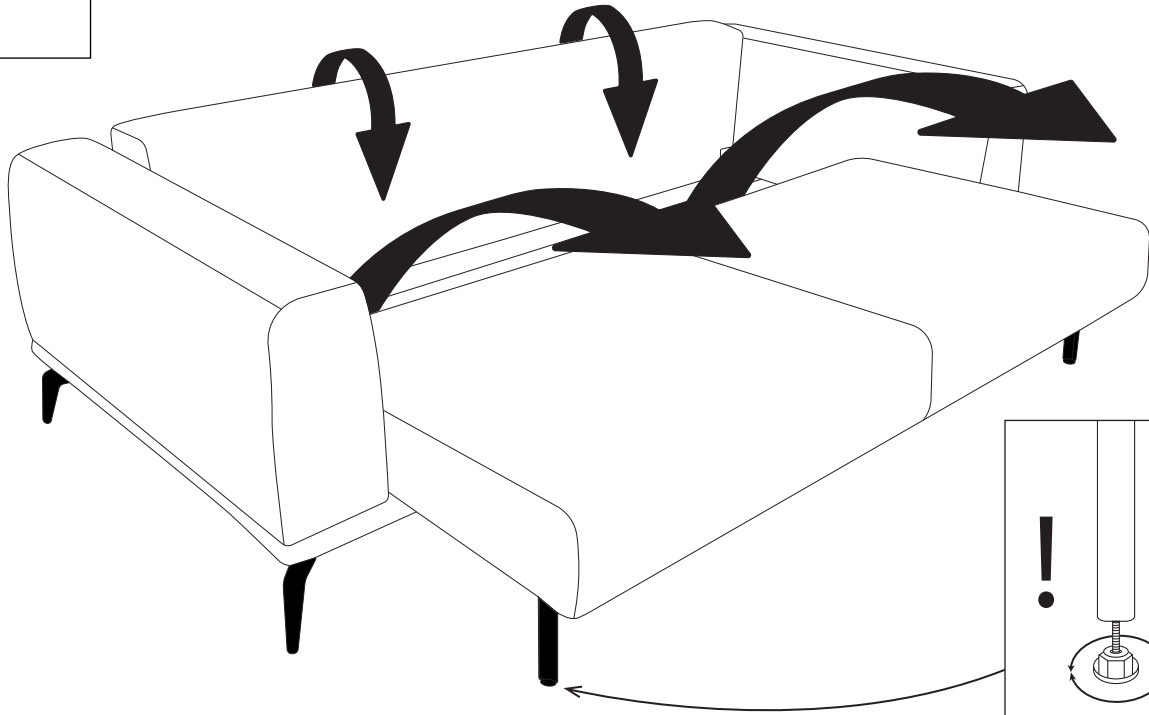


6x40

PH3



5



6

