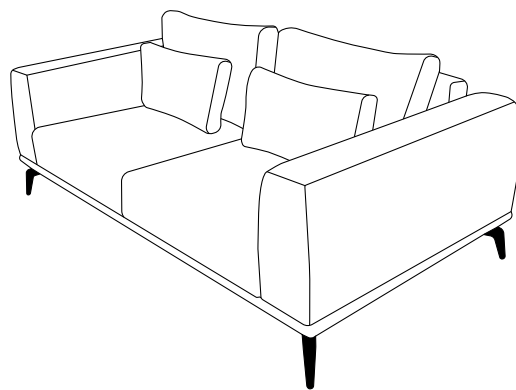
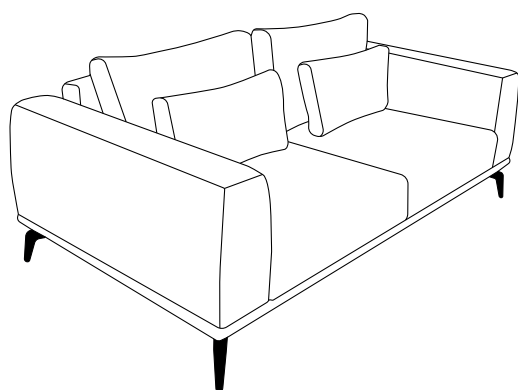
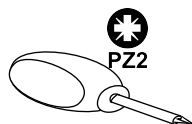
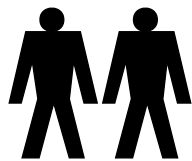
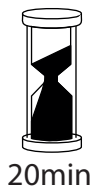
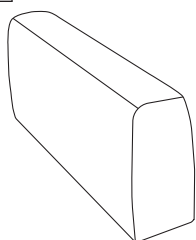




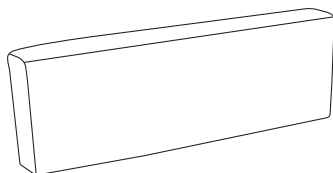
# AVIGNON



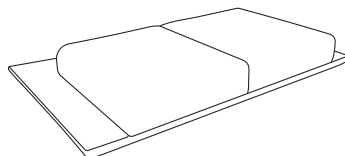
I



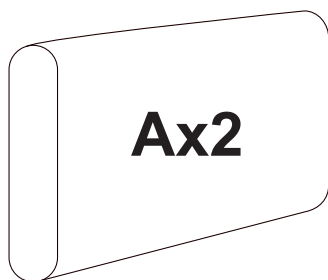
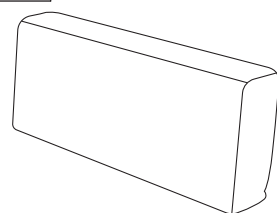
II



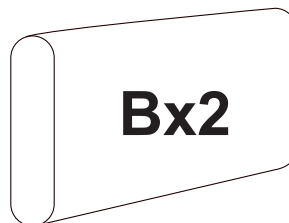
III



IV

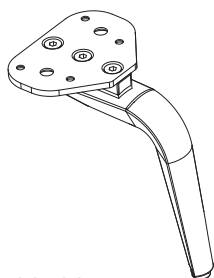


**Ax2**



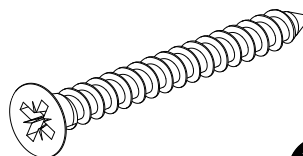
**Bx2**

**Cx4**



**H= 160 mm**

**Dx16**

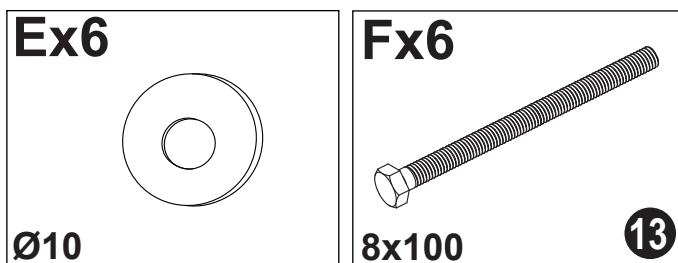
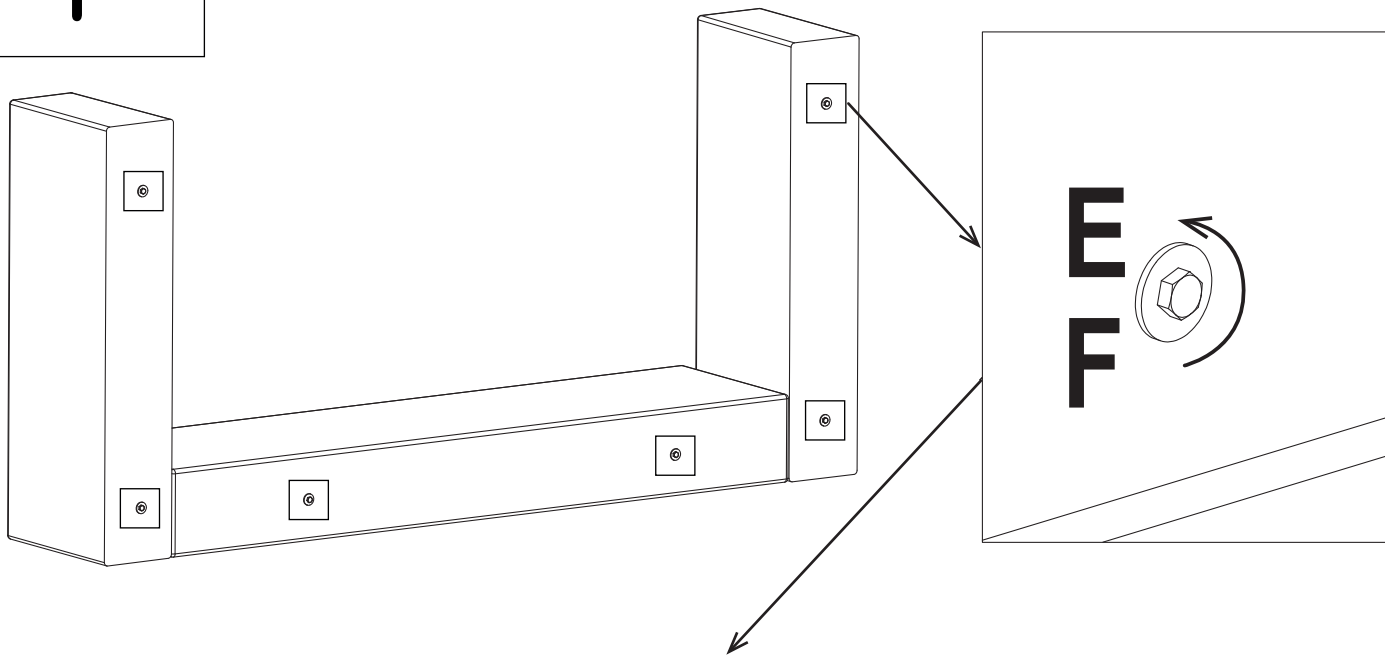


**5x50**

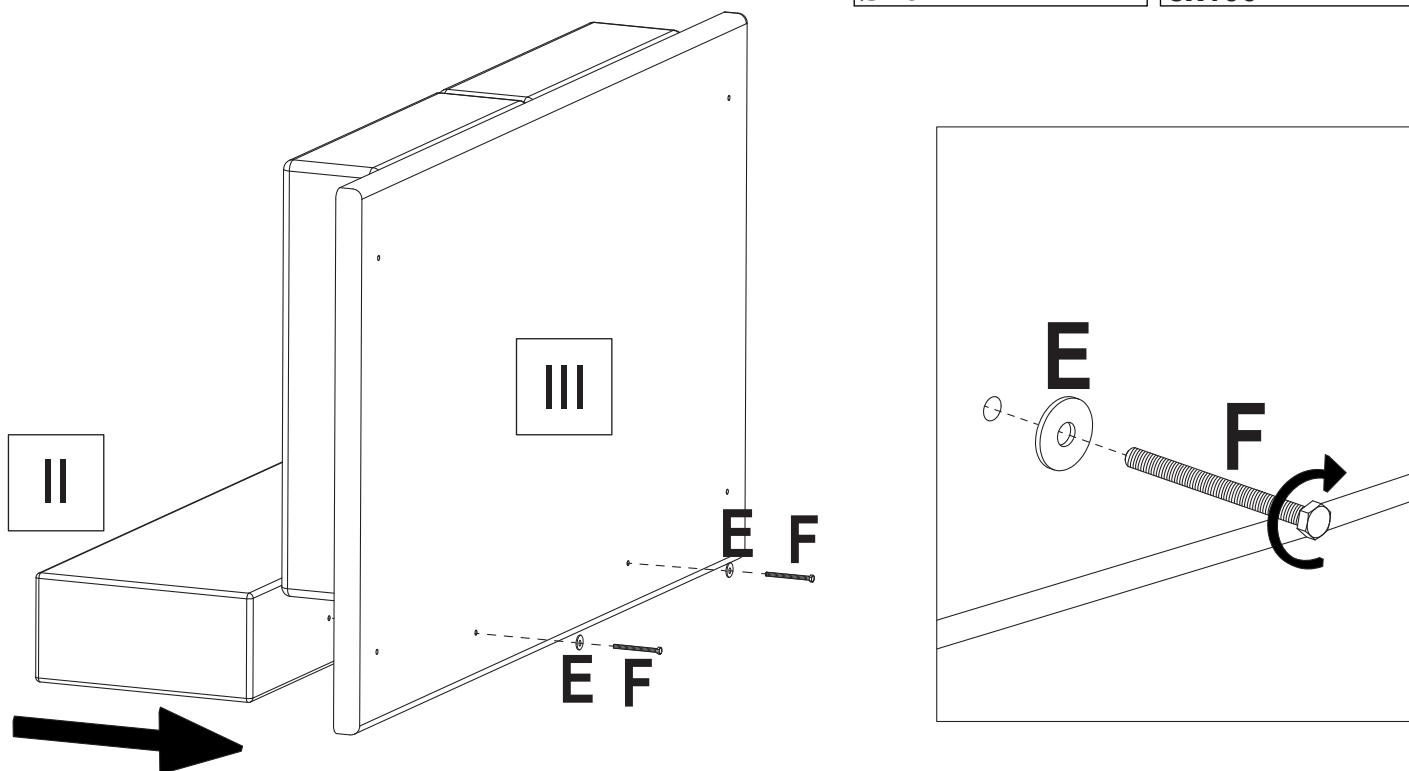
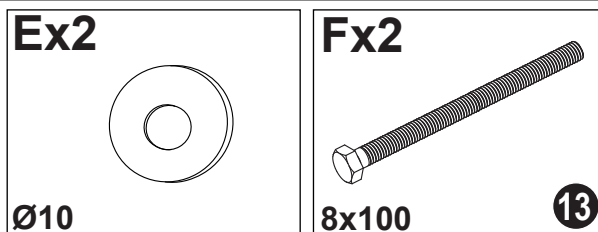


**PZ2**

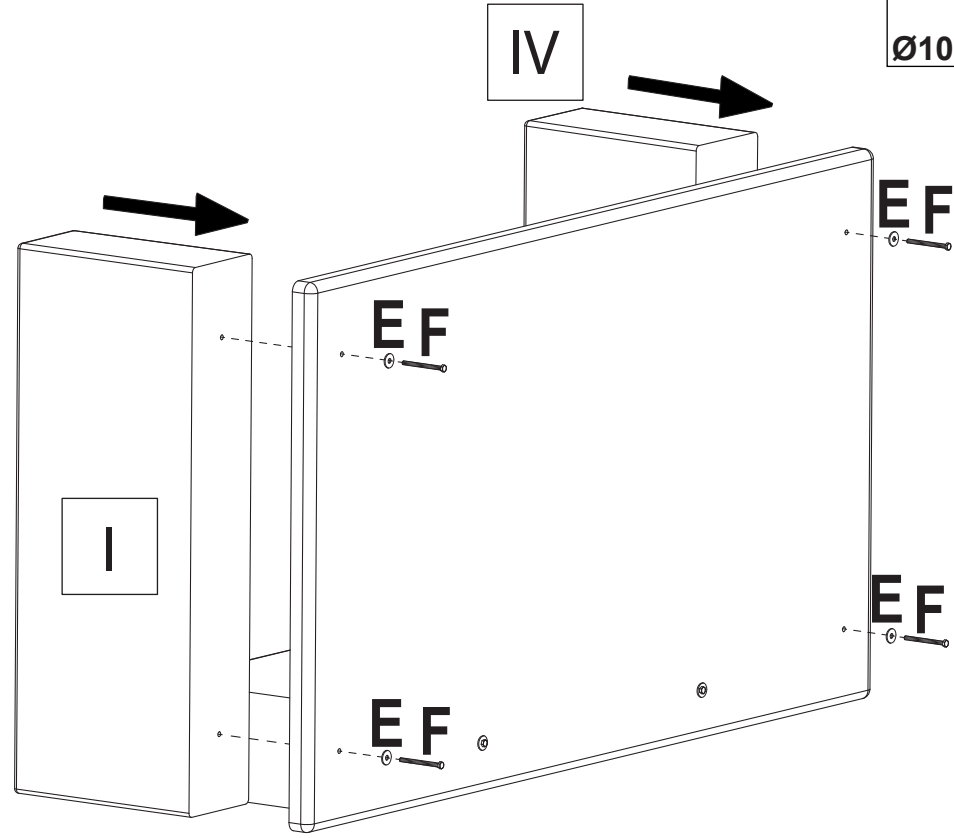
1



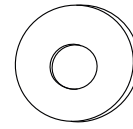
2



3

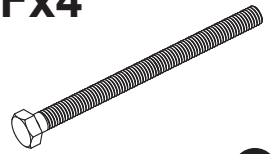


Ex4



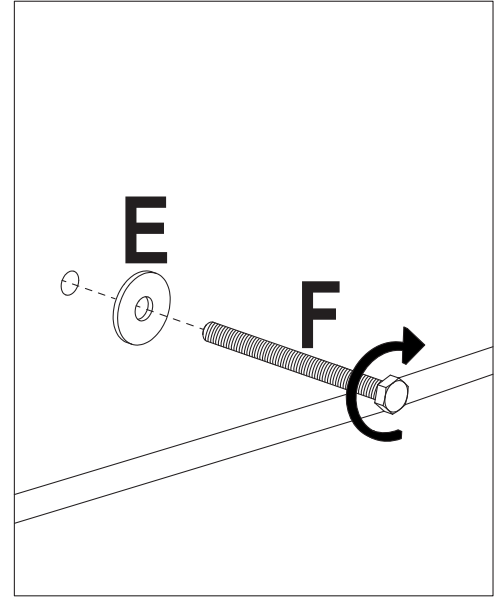
Ø10

Fx4

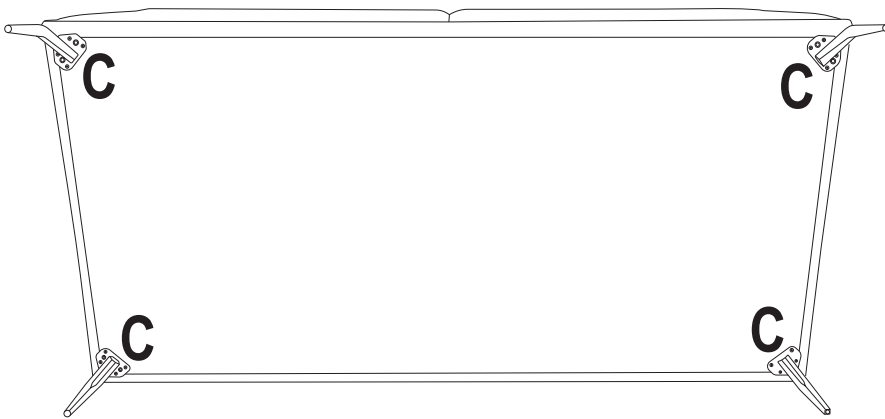


8x100

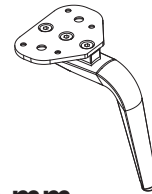
13



4

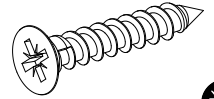


Cx4



H= 160 mm

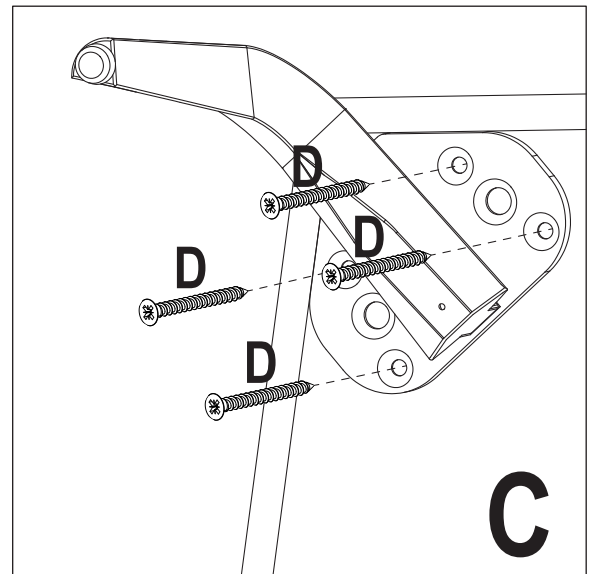
Dx16



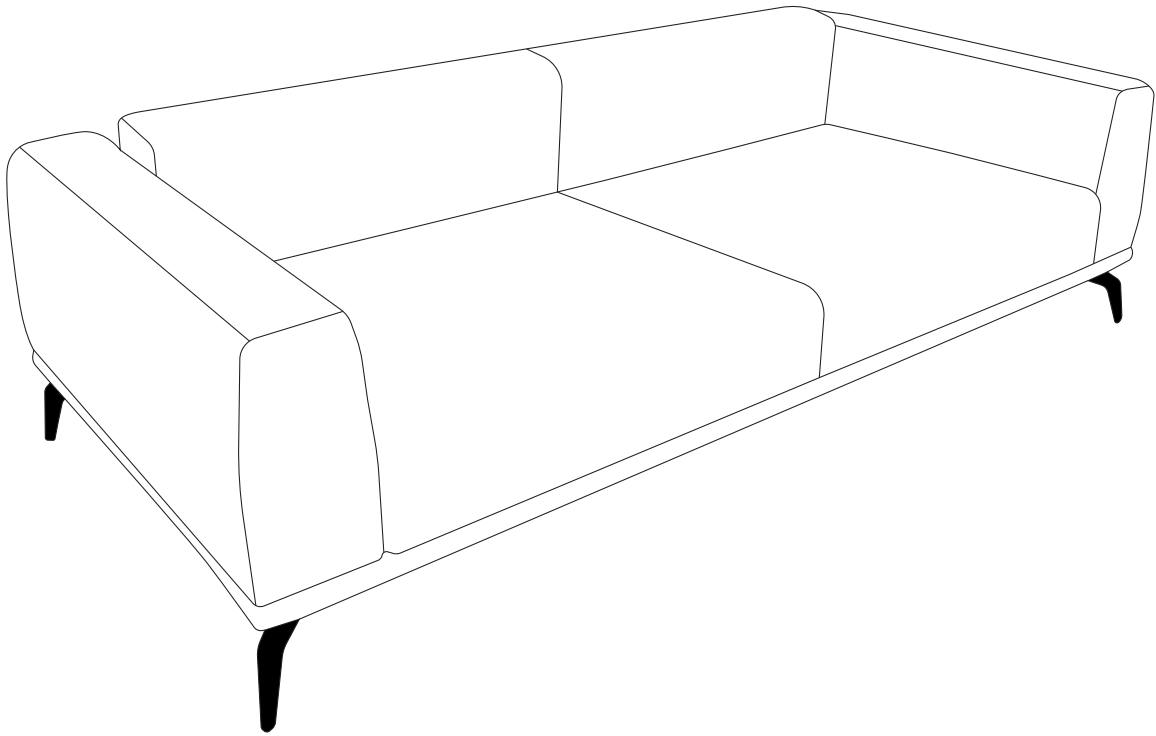
5x50



PZ2



5



6

