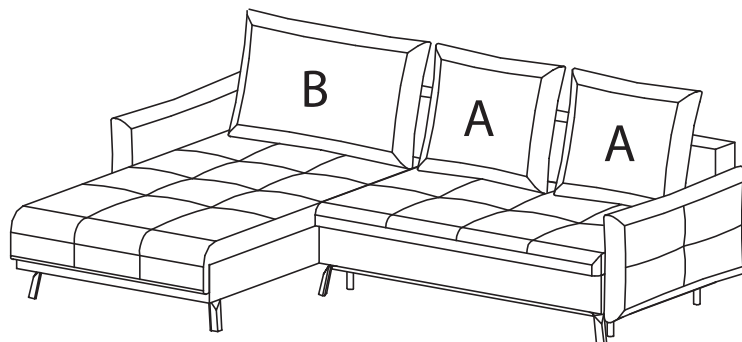
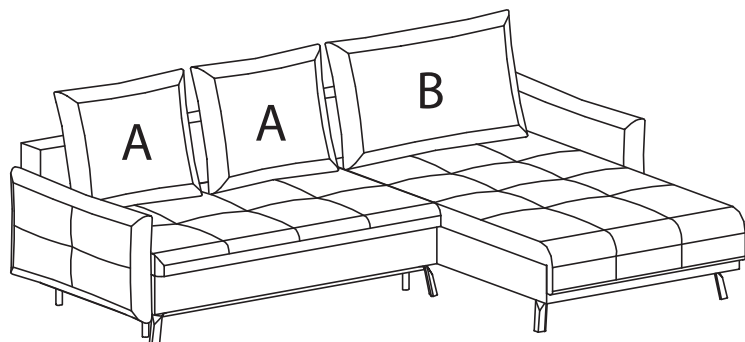




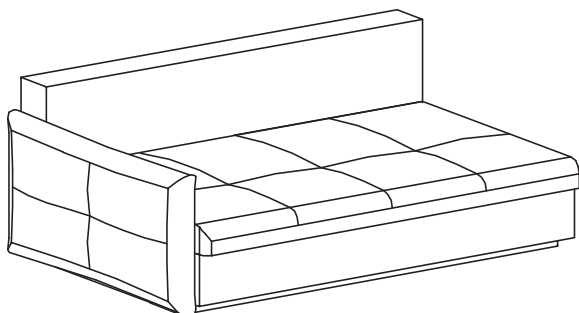
VIGO



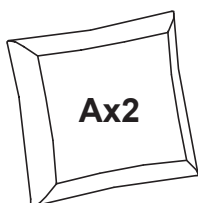
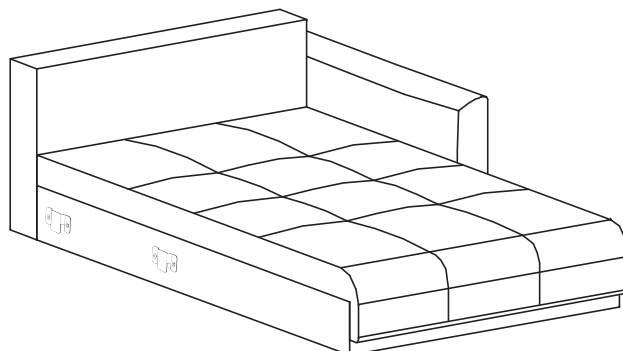
30min



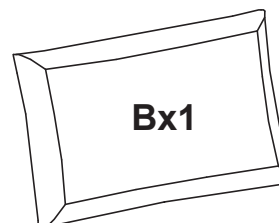
I



II

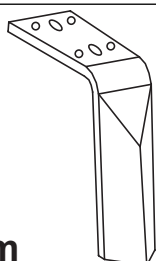


Ax2



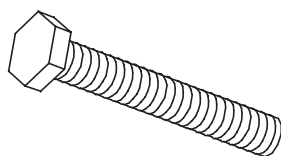
Bx1

Cx4



H=150 mm

Dx8



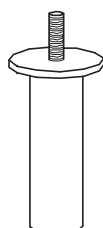
8x45

Ex2



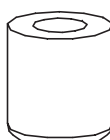
H=150mm

Fx4

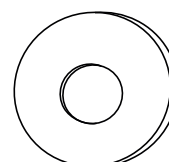


H=80mm

Gx4

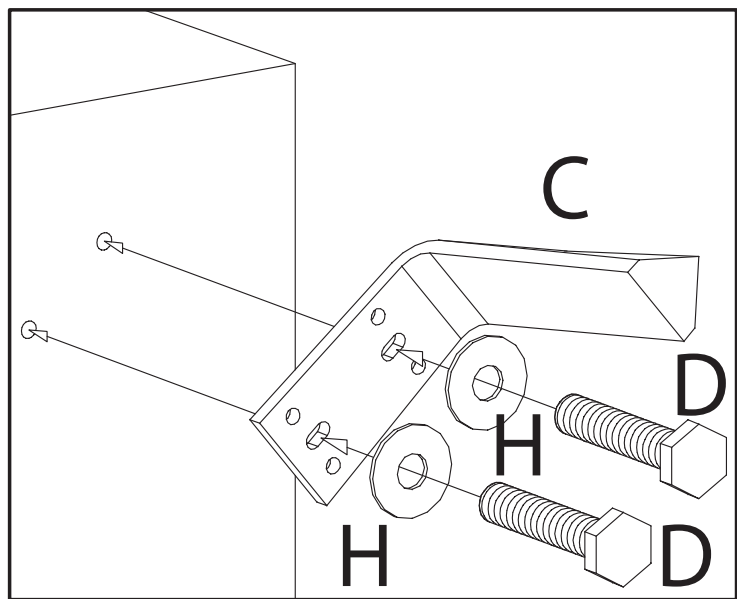
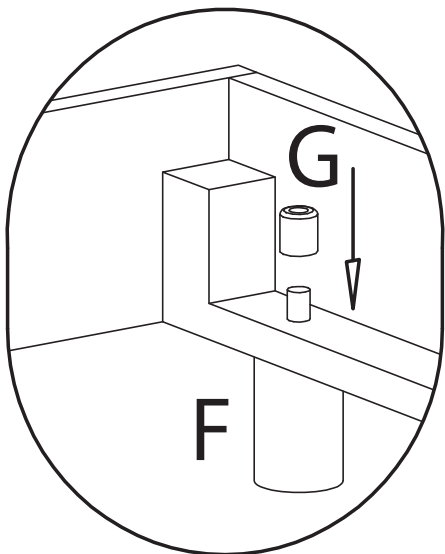
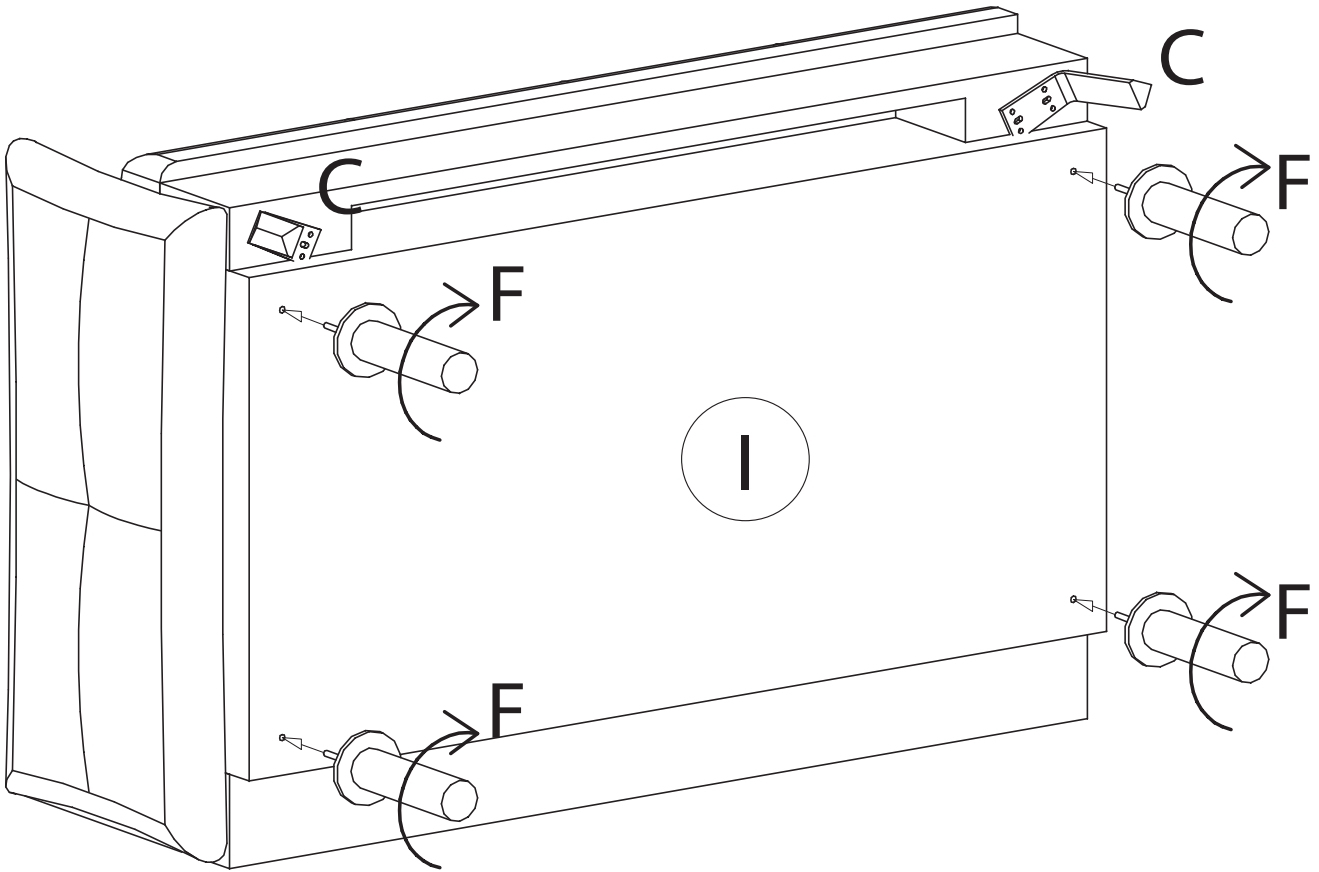
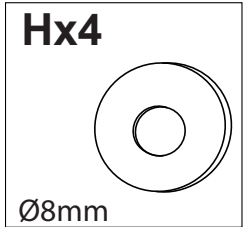
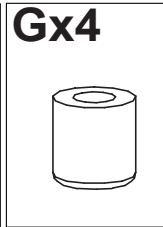
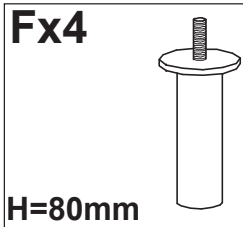
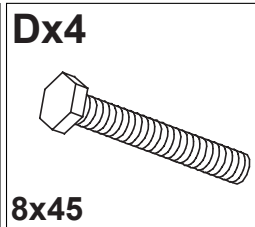
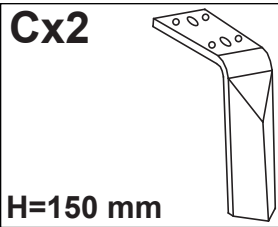


Hx8



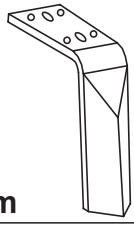
Ø8mm

1



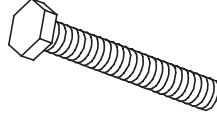
2

Cx2



H=150 mm

Dx4



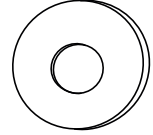
8x45

Ex2

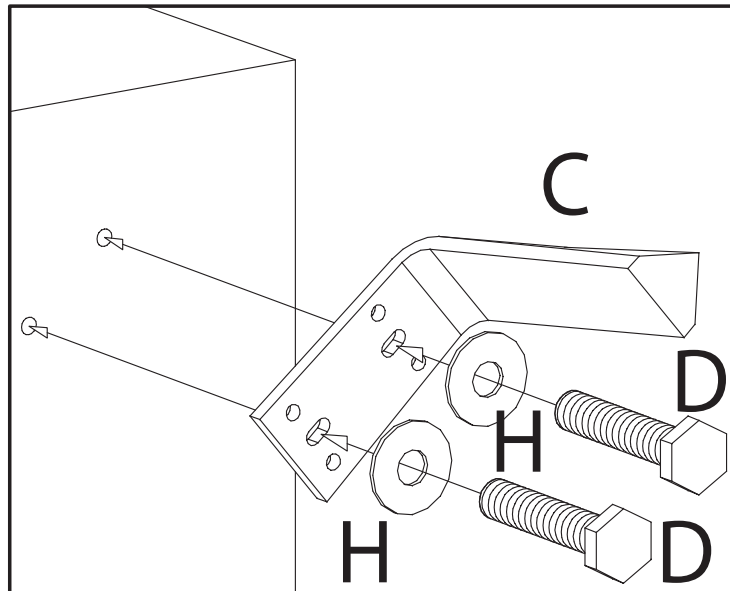
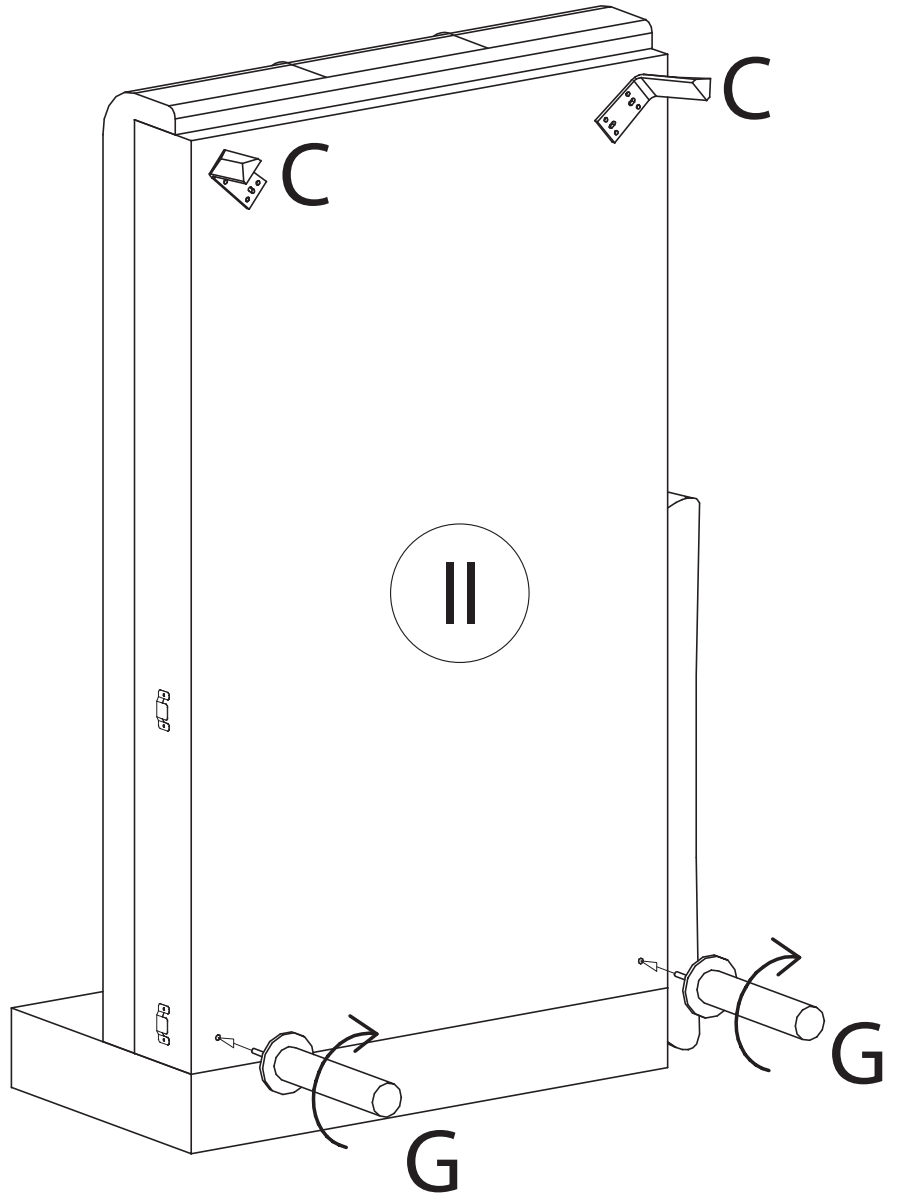


H=150mm

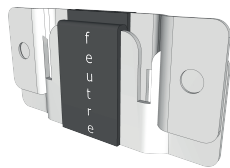
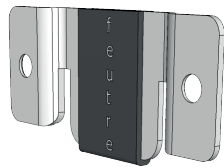
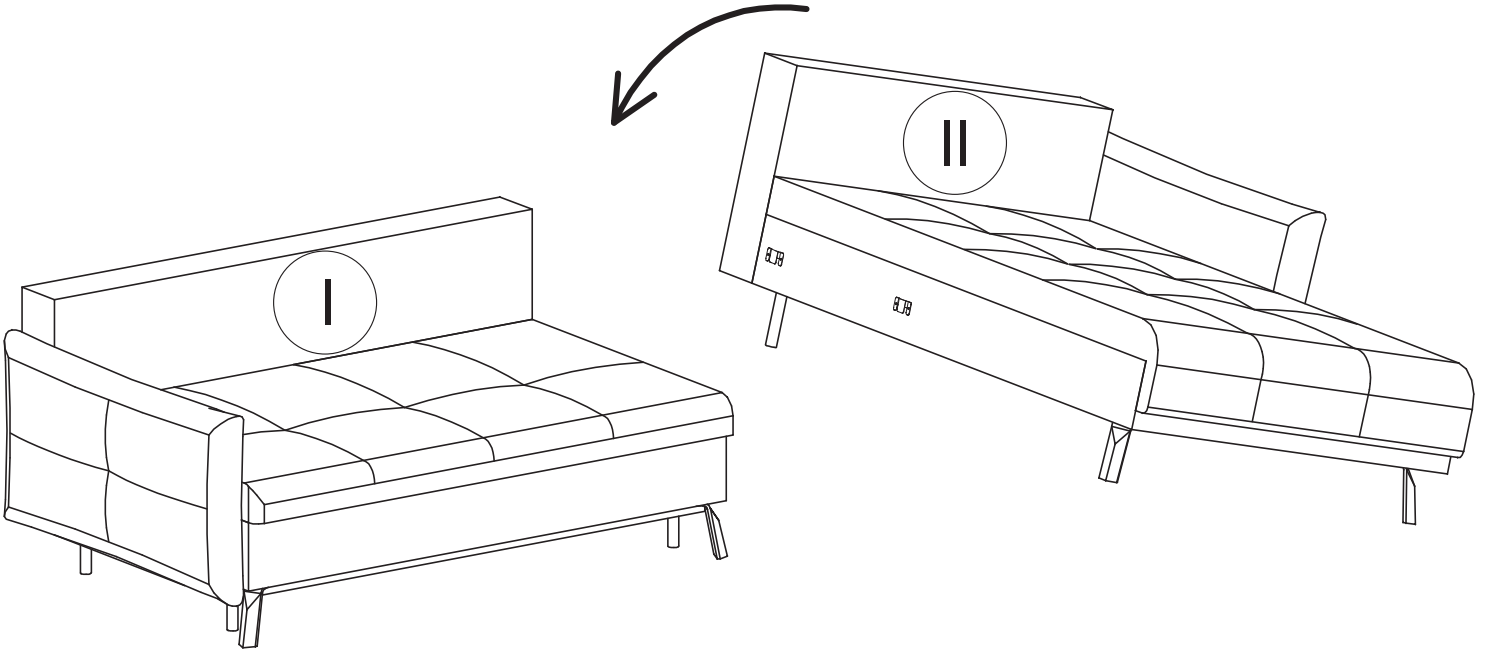
Hx4



Ø8mm



3



4

