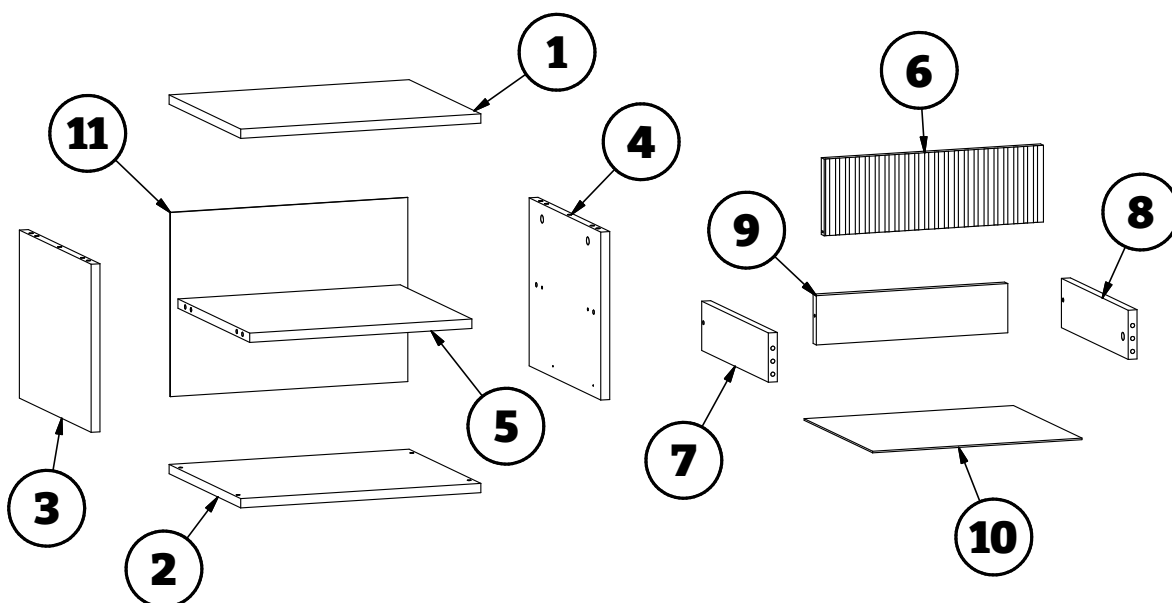
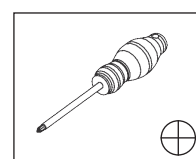
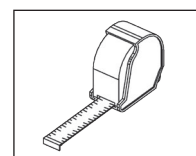
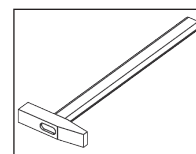
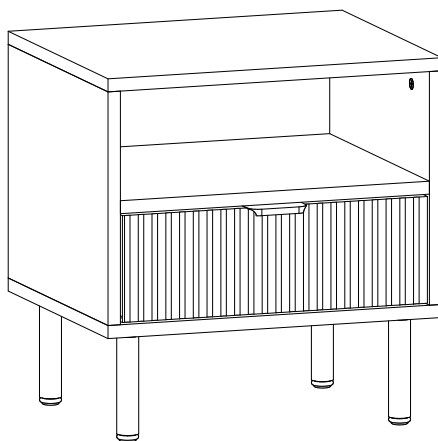


WAVE NAKASTLIK 1S

(510x487x403mm)



① **x1** 487x400x18mm

② **x1** 485x398x18mm

③ **x1** 324x398x18mm

④ **x1** 324x398x18mm

⑤ **x1** 447x398x18mm

⑥ **x1** 443x148x16mm








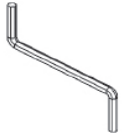




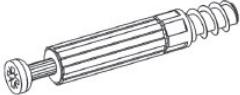



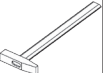

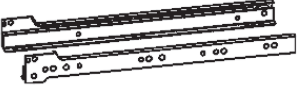




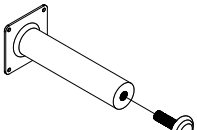


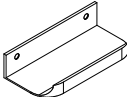








⑦ **x1** 370x95x18mm

⑧ **x1** 370x95x18mm

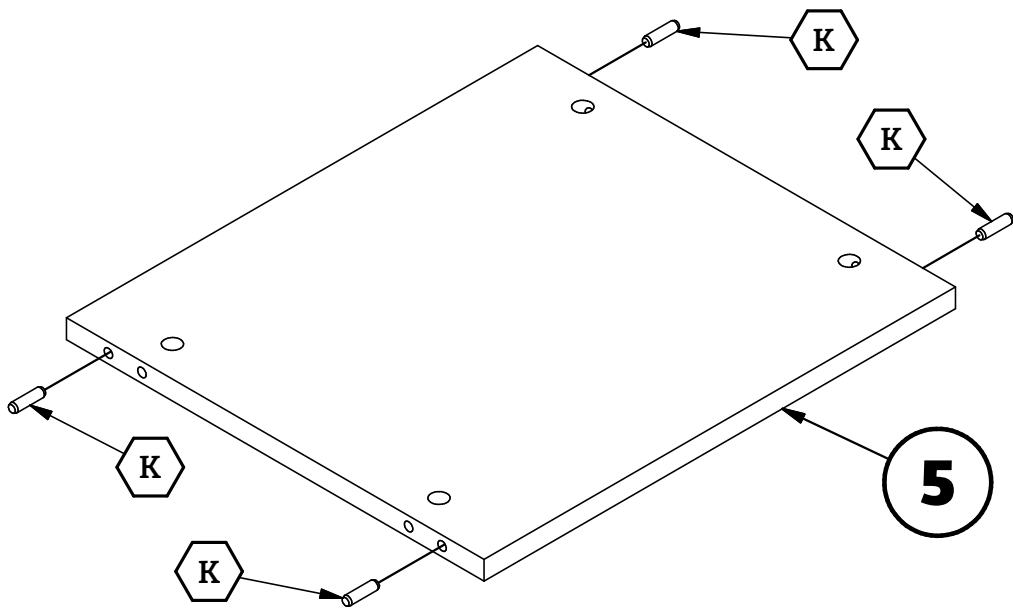
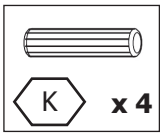
⑨ **x1** 387x95x18mm

⑩ **x1** 376x420x3mm

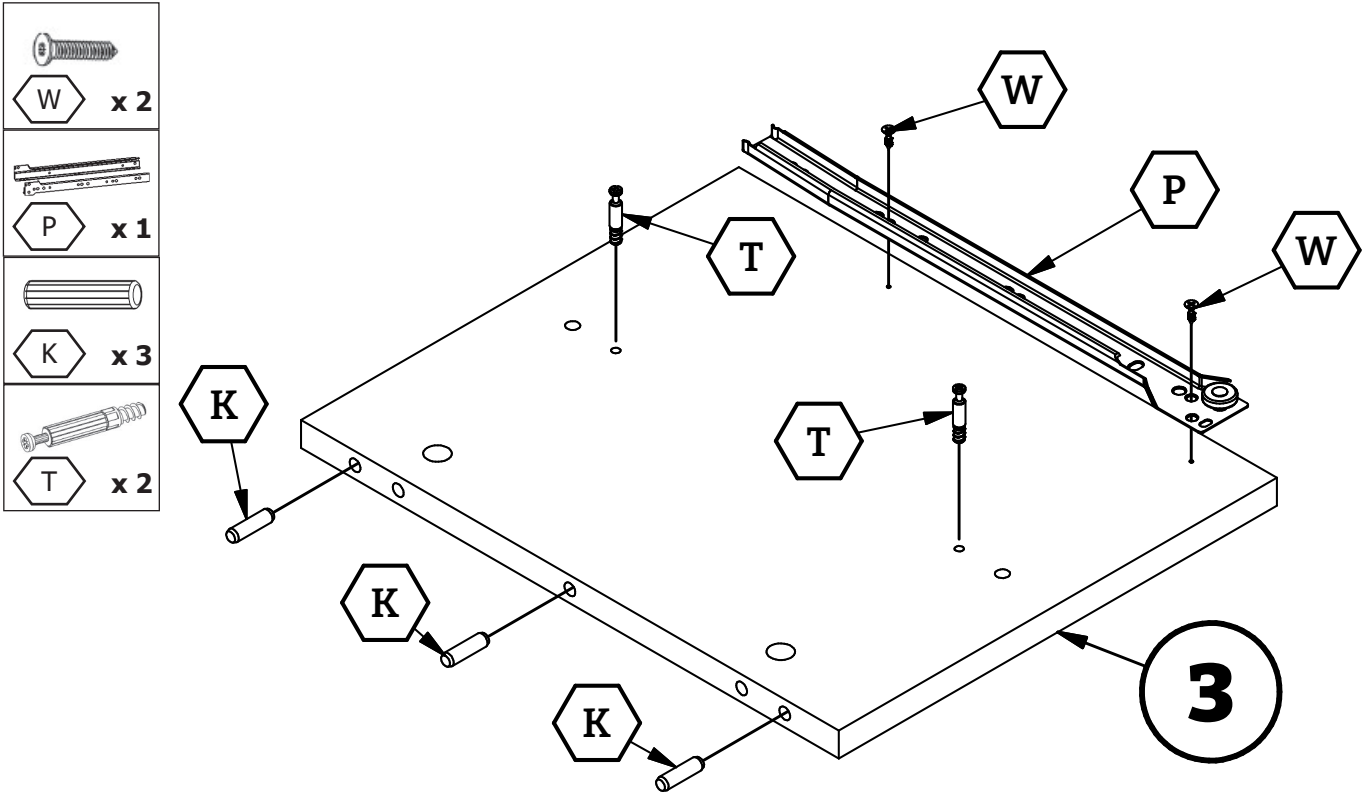
⑪ **x1** 479x356x3mm

   <p>x 14 $\Phi 8 \times 35 \text{mm}$</p>	   <p>x 16 $\Phi 4 \times 16 \text{mm}$</p>	  <p>x 1</p>
   <p>x 6 7×50</p>	   <p>x 10</p>	   <p>x 30</p>
  <p>x 1</p>	   <p>x 10</p>	   <p>x 4</p>
  <p>x 1</p>	   <p>x 8 $\Phi 3,5 \times 16 \text{mm}$</p>	   <p>x 6</p>
  <p>x 2 $\Phi 3 \times 12 \text{mm}$</p>		

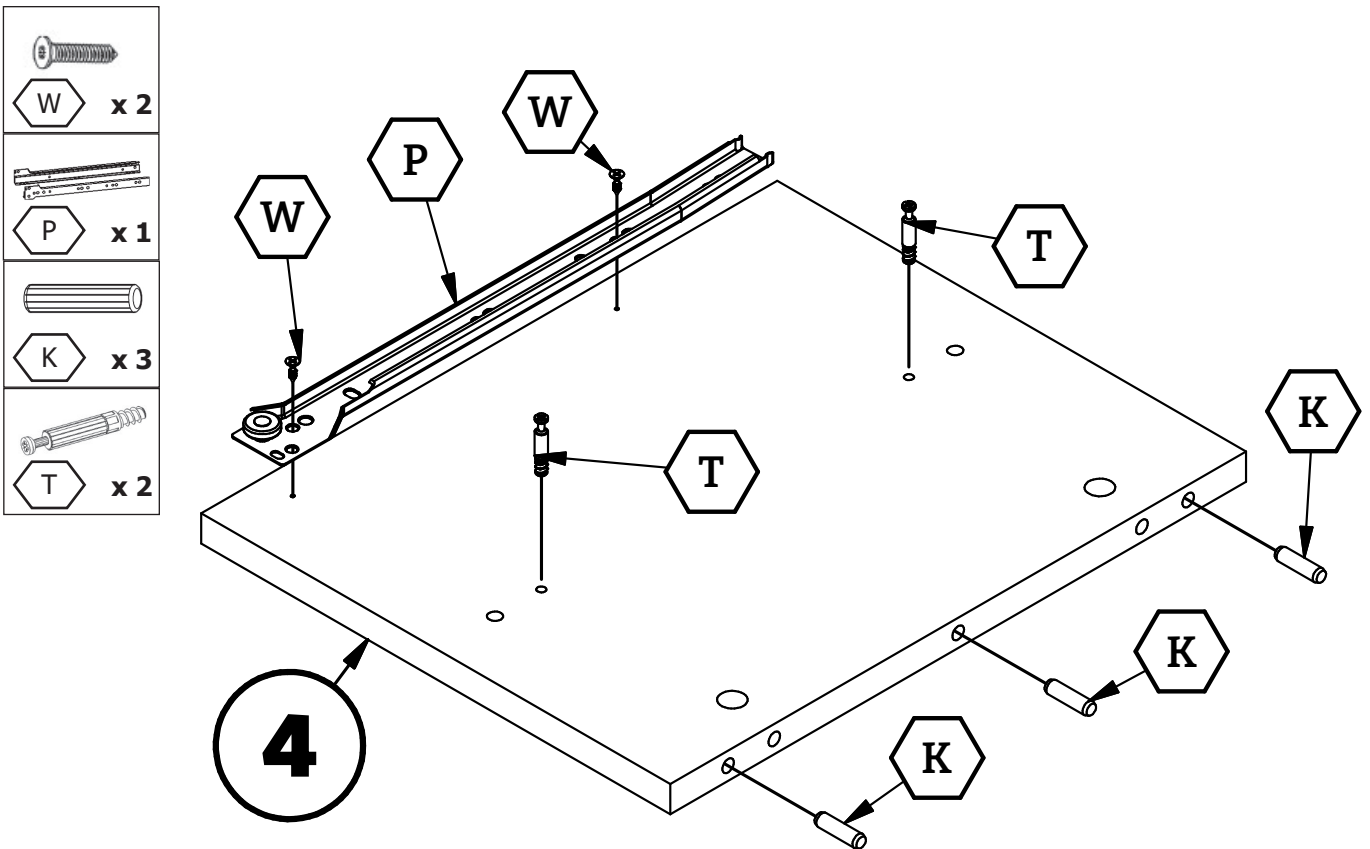
1

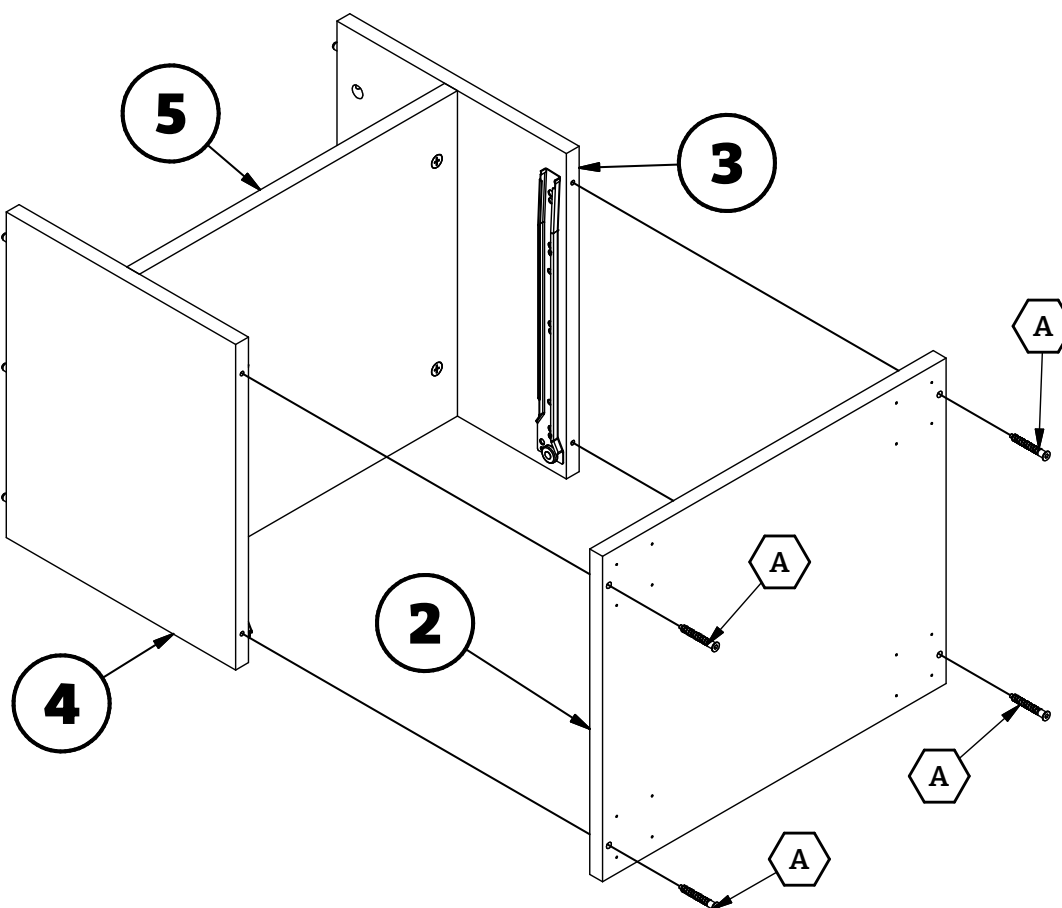
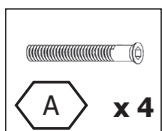
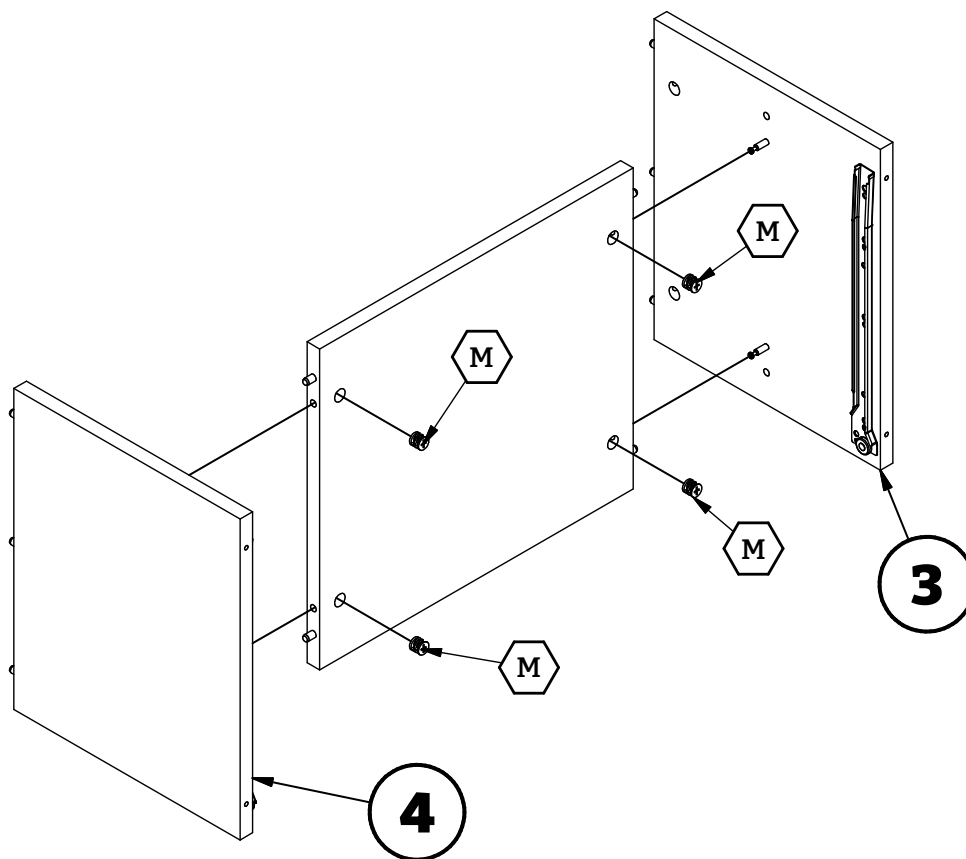
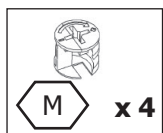


2

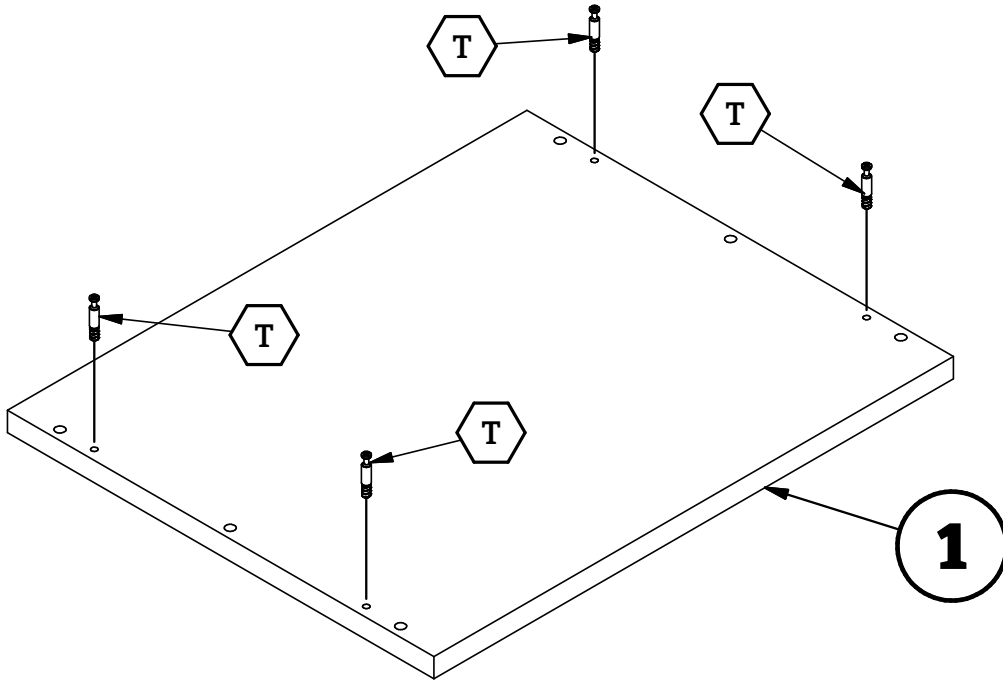
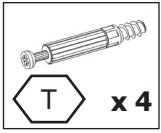


3

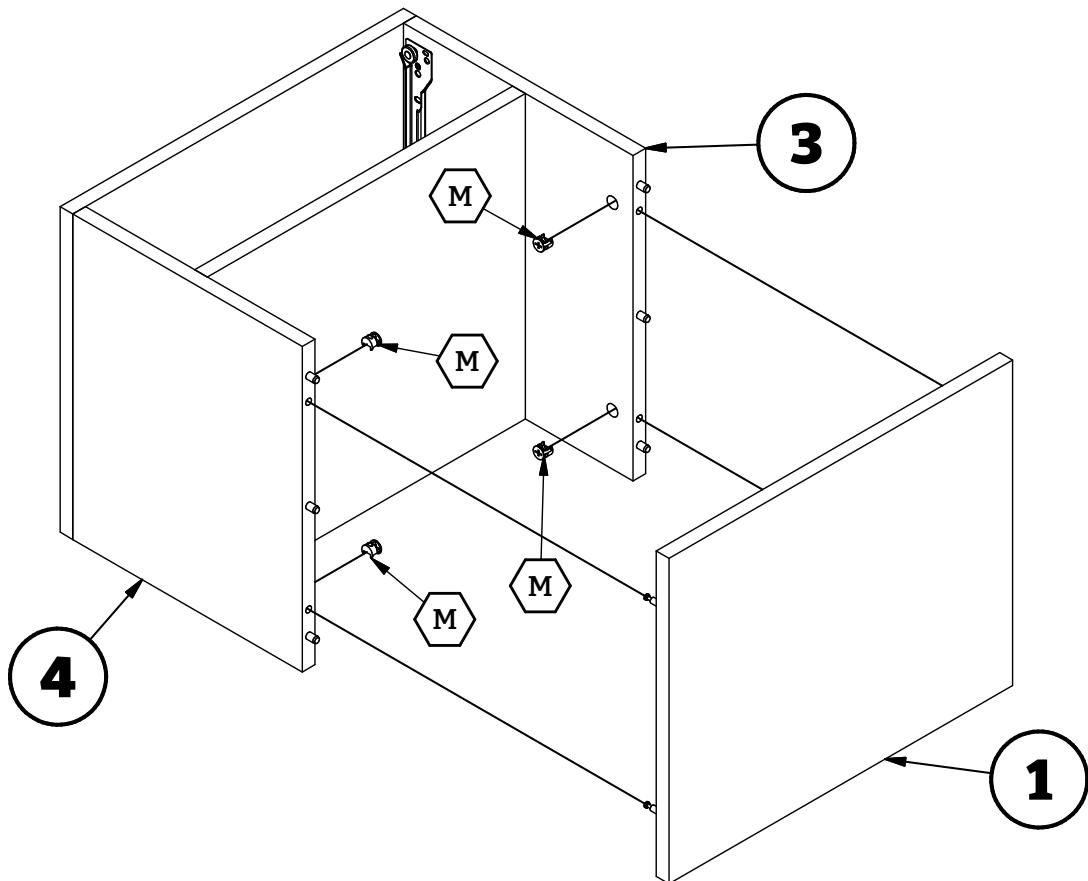
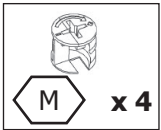


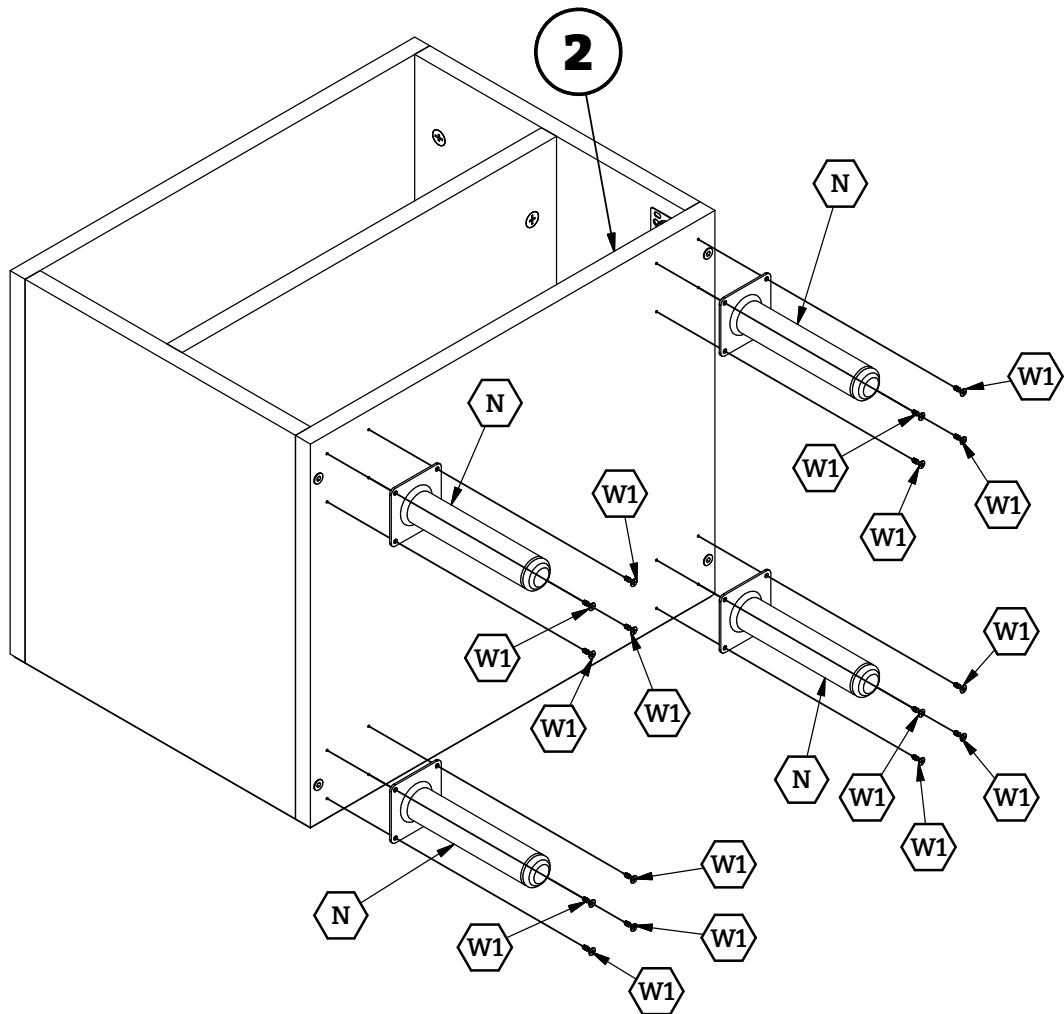
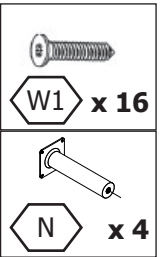
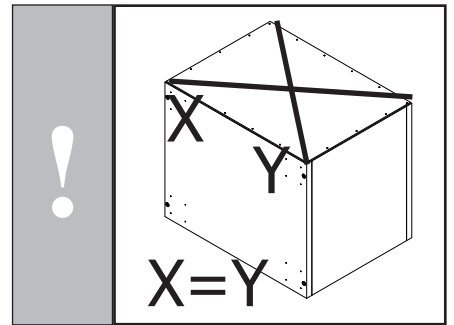
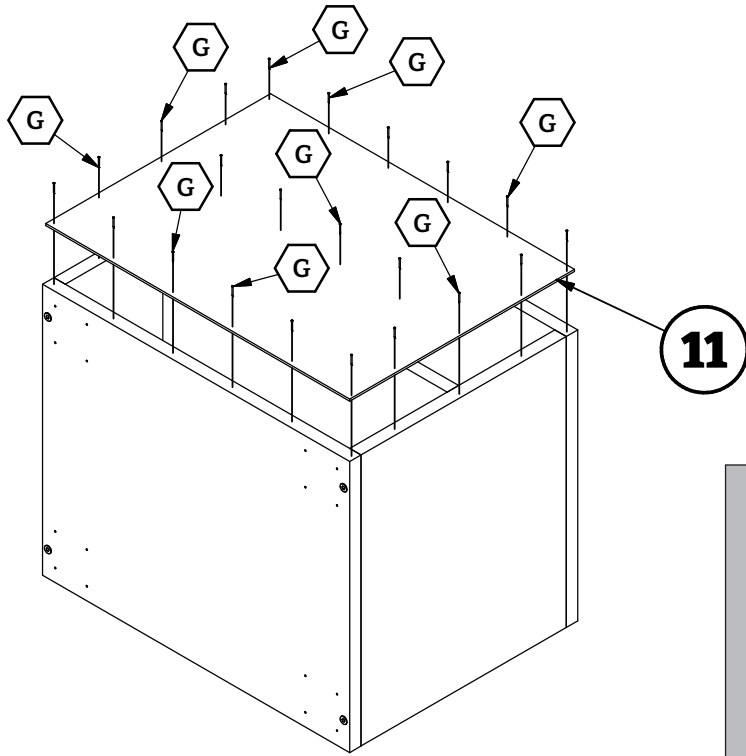
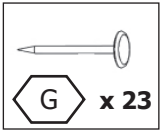


6

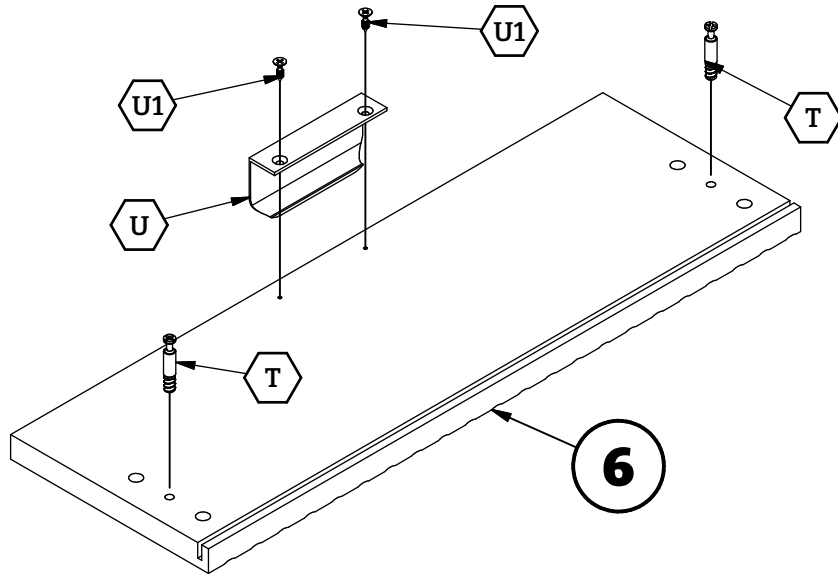
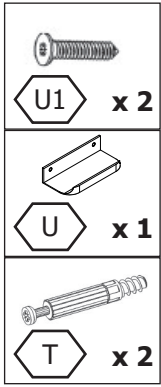


7

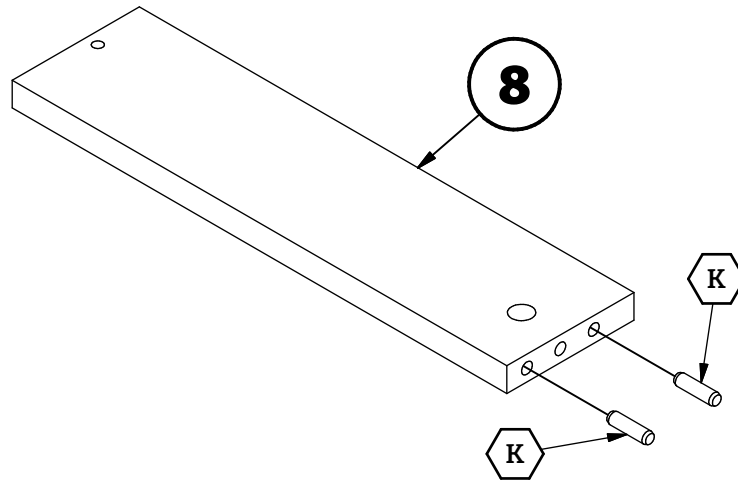
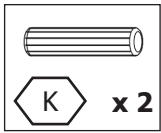




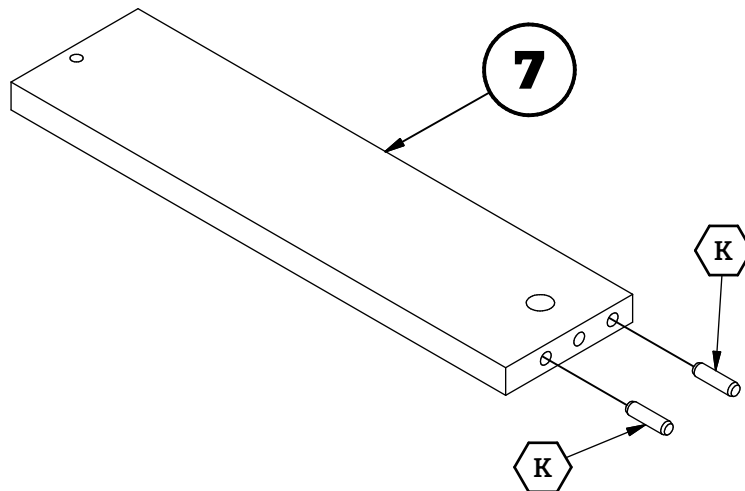
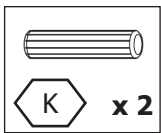
10



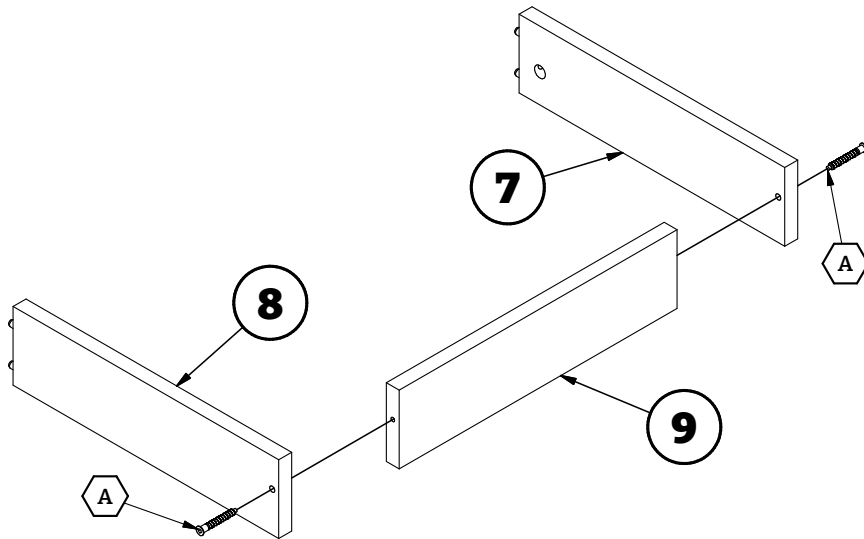
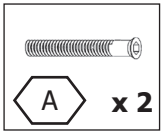
11



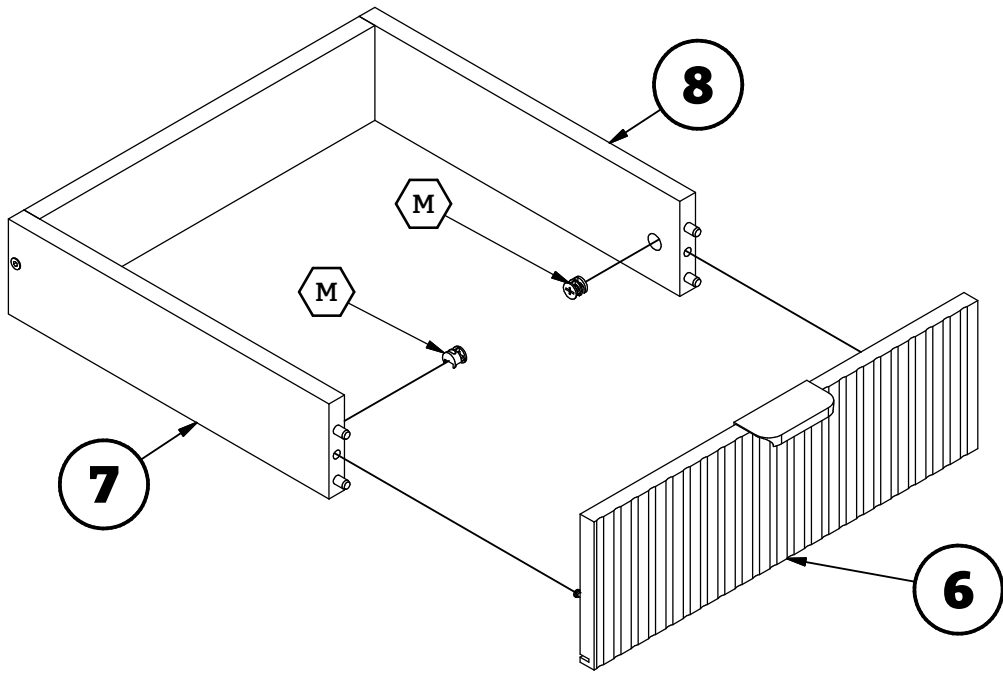
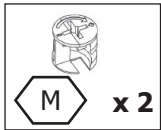
12



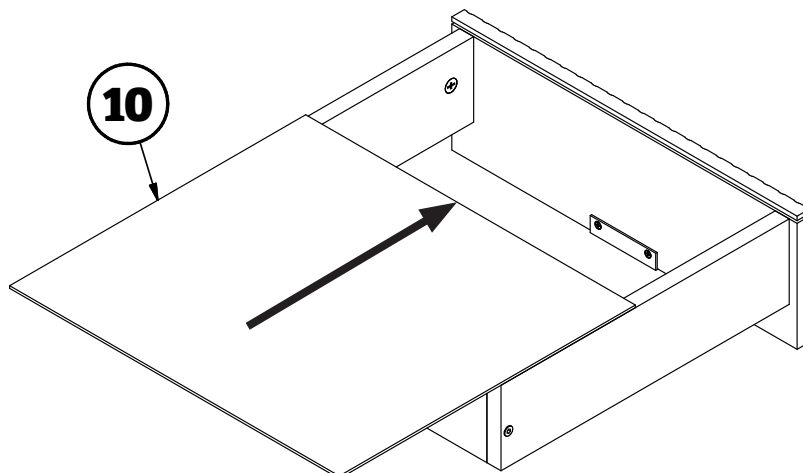
13



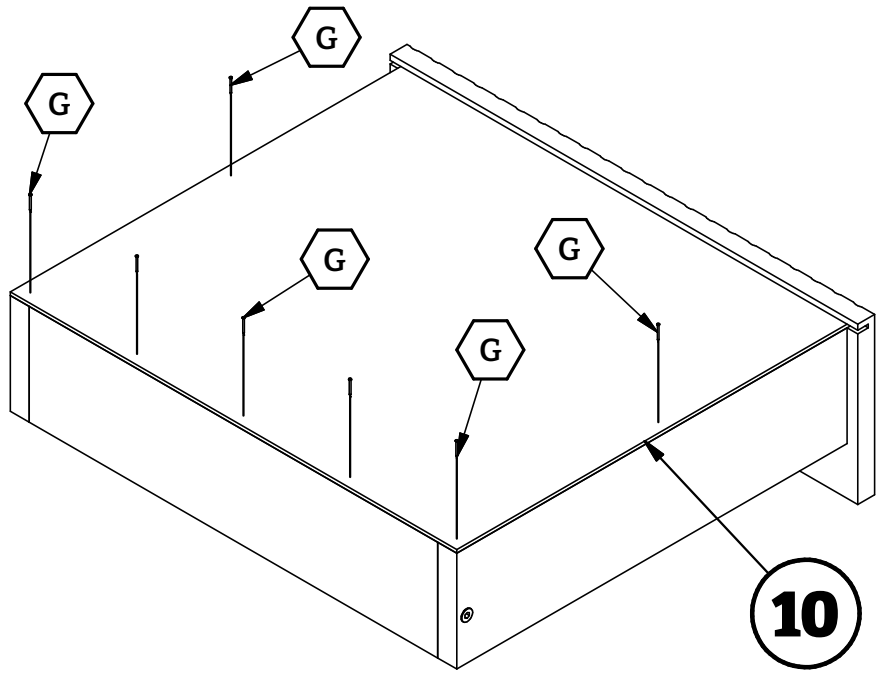
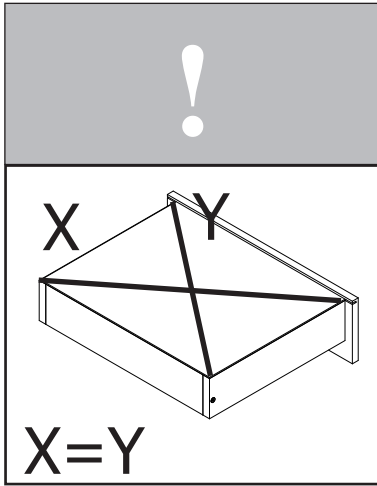
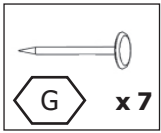
14



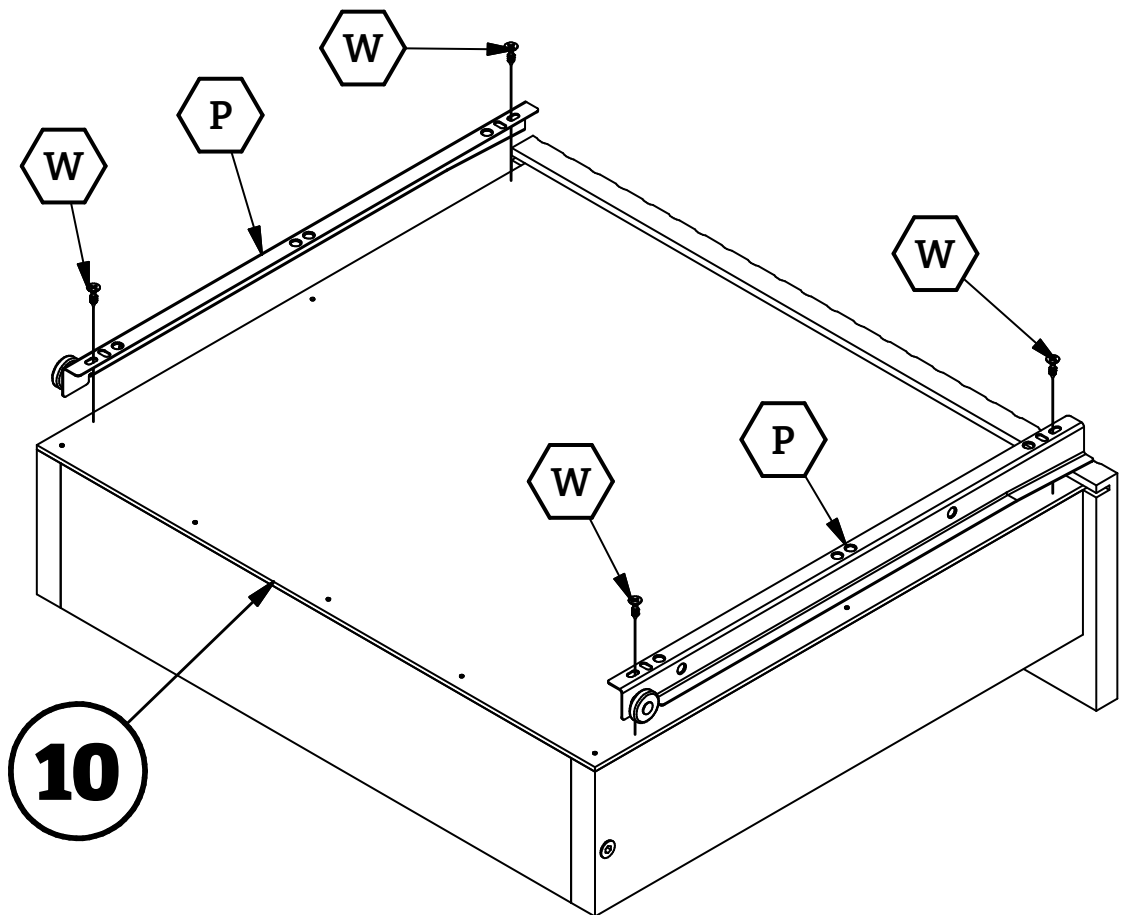
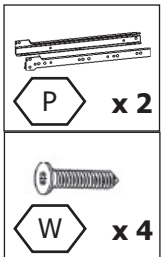
15



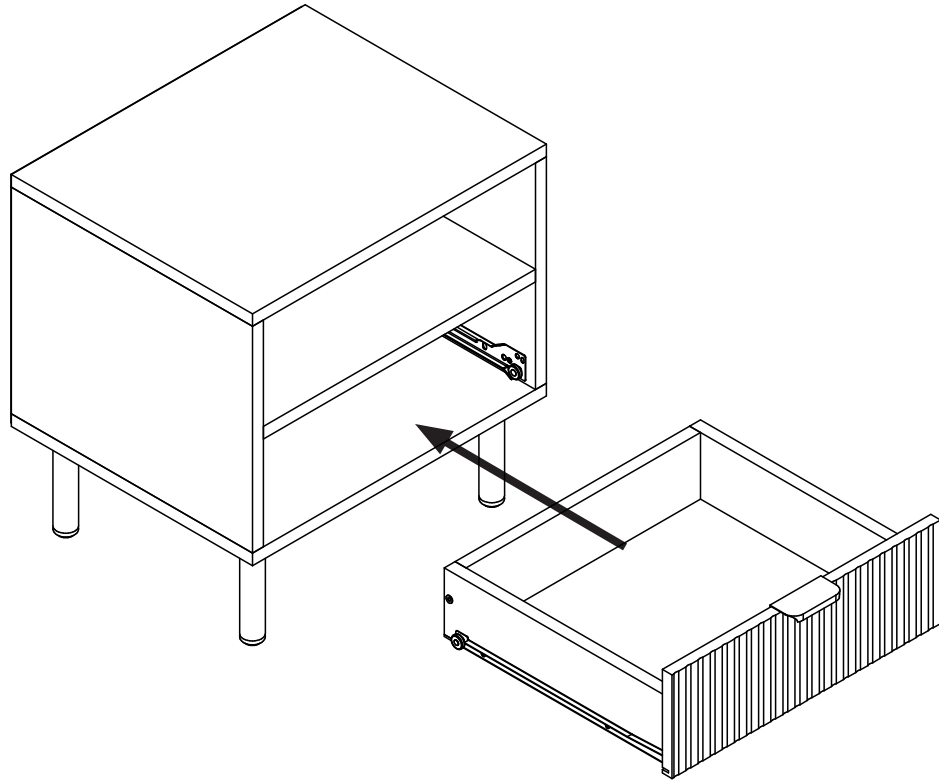
16



17



18



19

