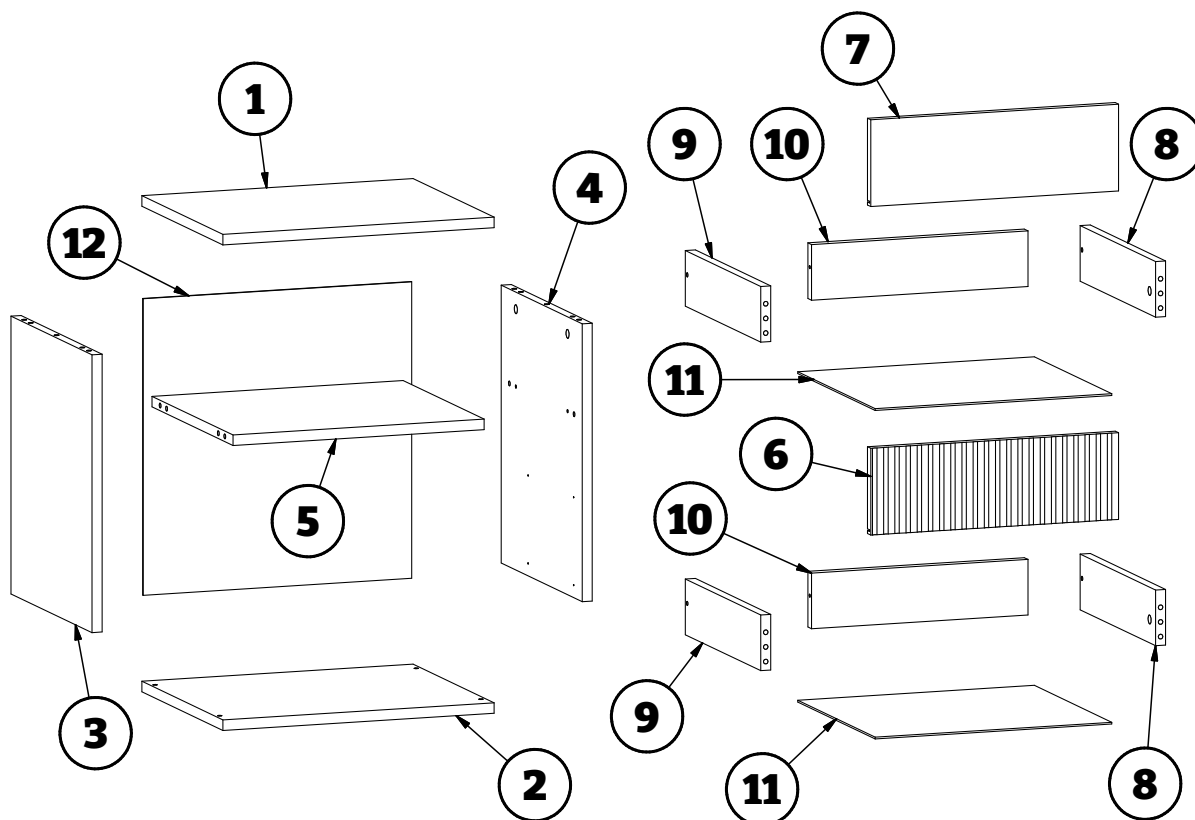
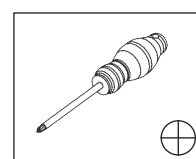
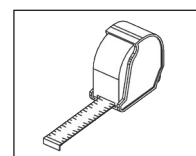
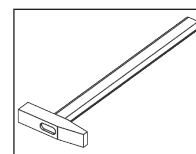
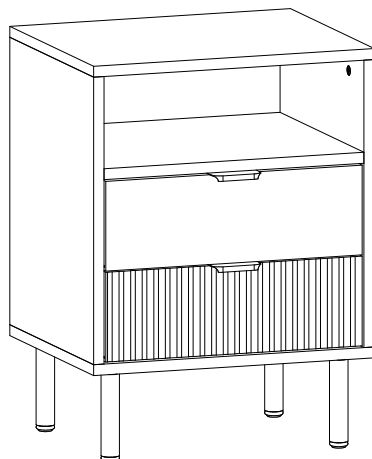







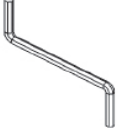








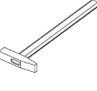

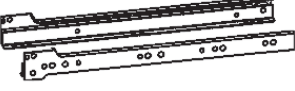




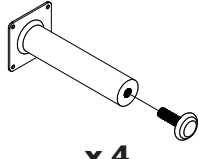


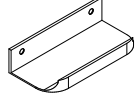










WAVE NAKASTLIK 2S

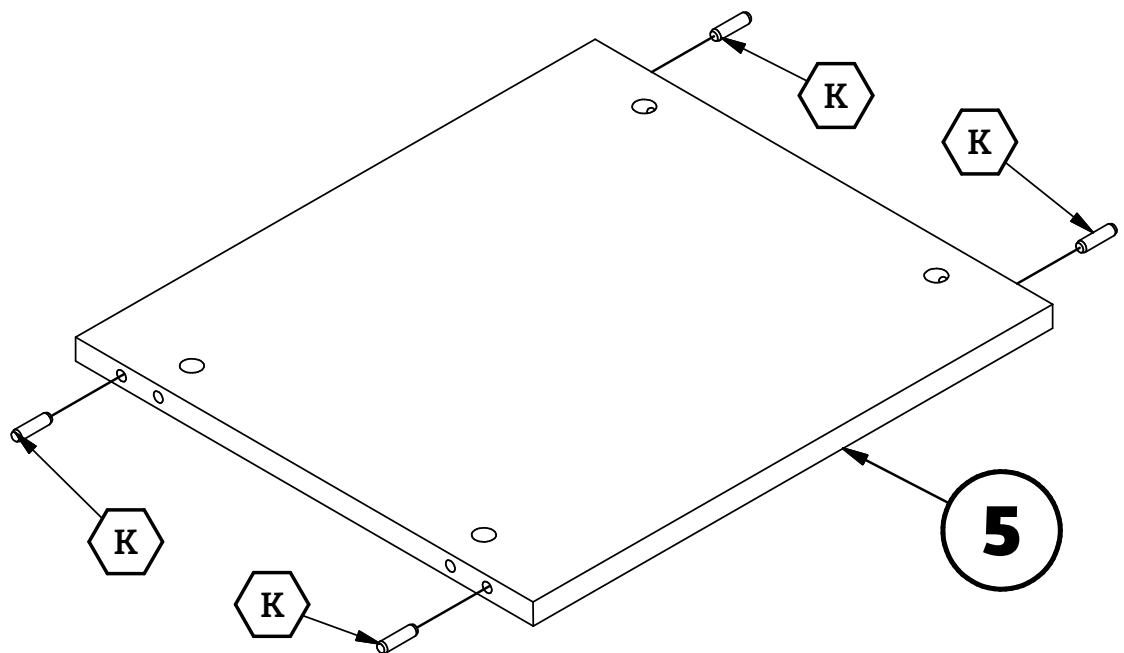
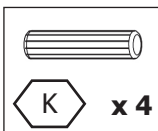
(660x487x403mm)



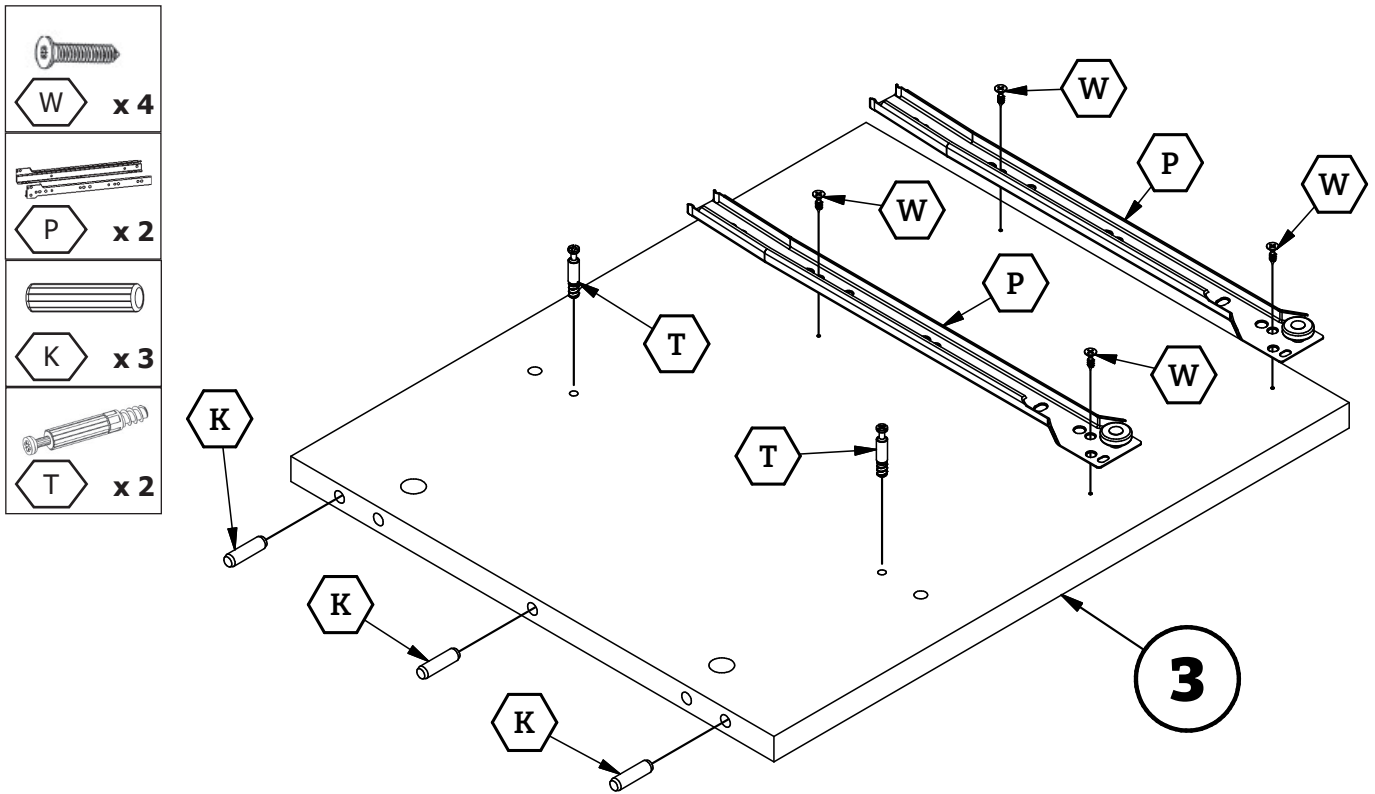
- | | | |
|--------------------------|--------------------------|--------------------------|
| ① x1 487x400x18mm | ② x1 485x398x18mm | ③ x1 474x398x18mm |
| ④ x1 474x398x18mm | ⑤ x1 447x398x18mm | ⑥ x1 443x148x16mm |
| ⑦ x1 443x148x18mm | ⑧ x2 370x95x18mm | ⑨ x2 370x95x18mm |
| ⑩ x2 387x95x18mm | ⑪ x2 376x420x3mm | ⑫ x1 479x506x3mm |

   <p>x 18 $\Phi 8 \times 35 \text{mm}$</p>	   <p>x 16 $\Phi 4 \times 16 \text{mm}$</p>	  <p>x 1</p>
   <p>x 8 7×50</p>	   <p>x 12</p>	   <p>x 45</p>
  <p>x 2</p>	   <p>x 12</p>	   <p>x 4</p>
  <p>x 2</p>	   <p>x 16 $\Phi 3,5 \times 16 \text{mm}$</p>	   <p>x 8</p>
  <p>x 4 $\Phi 3 \times 12 \text{mm}$</p>		

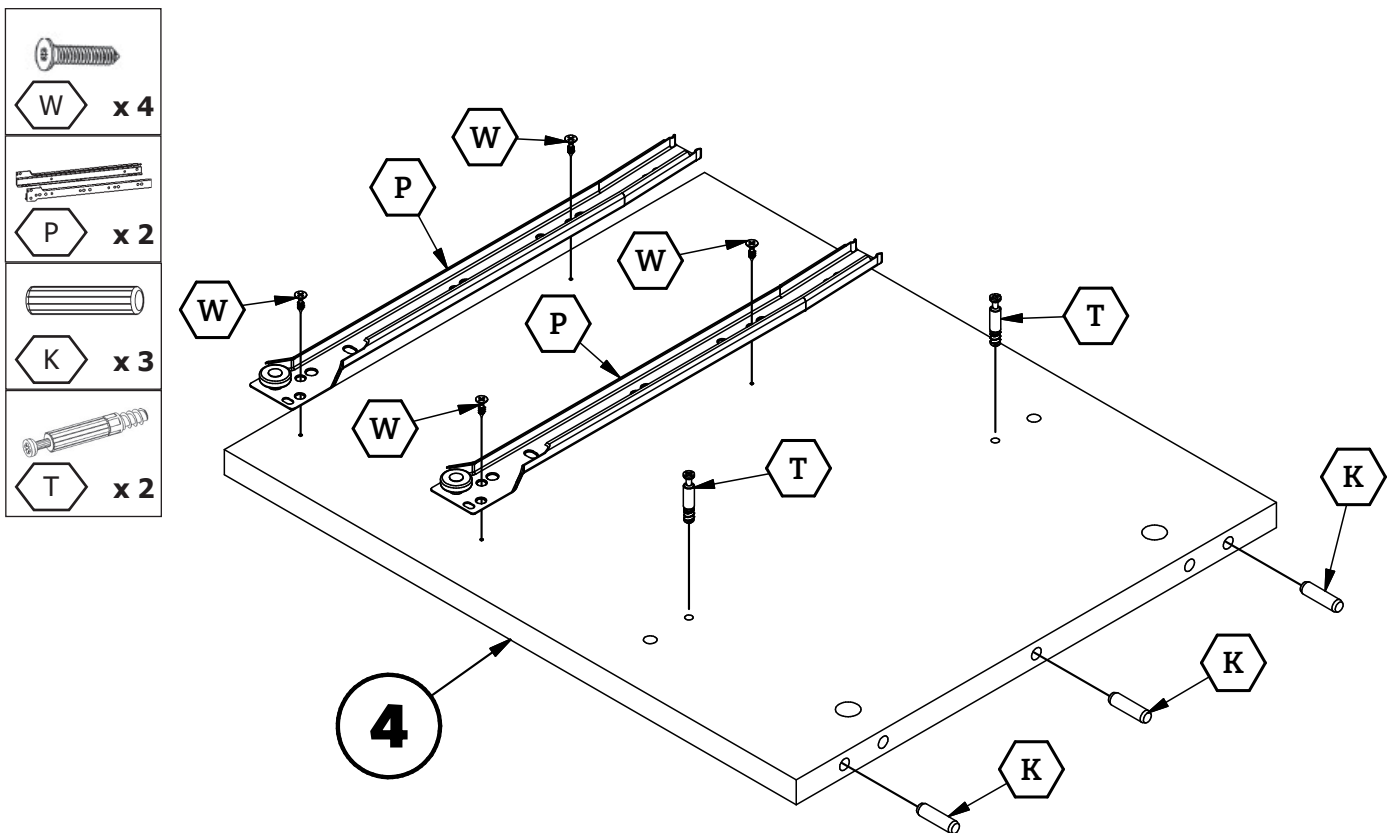
1

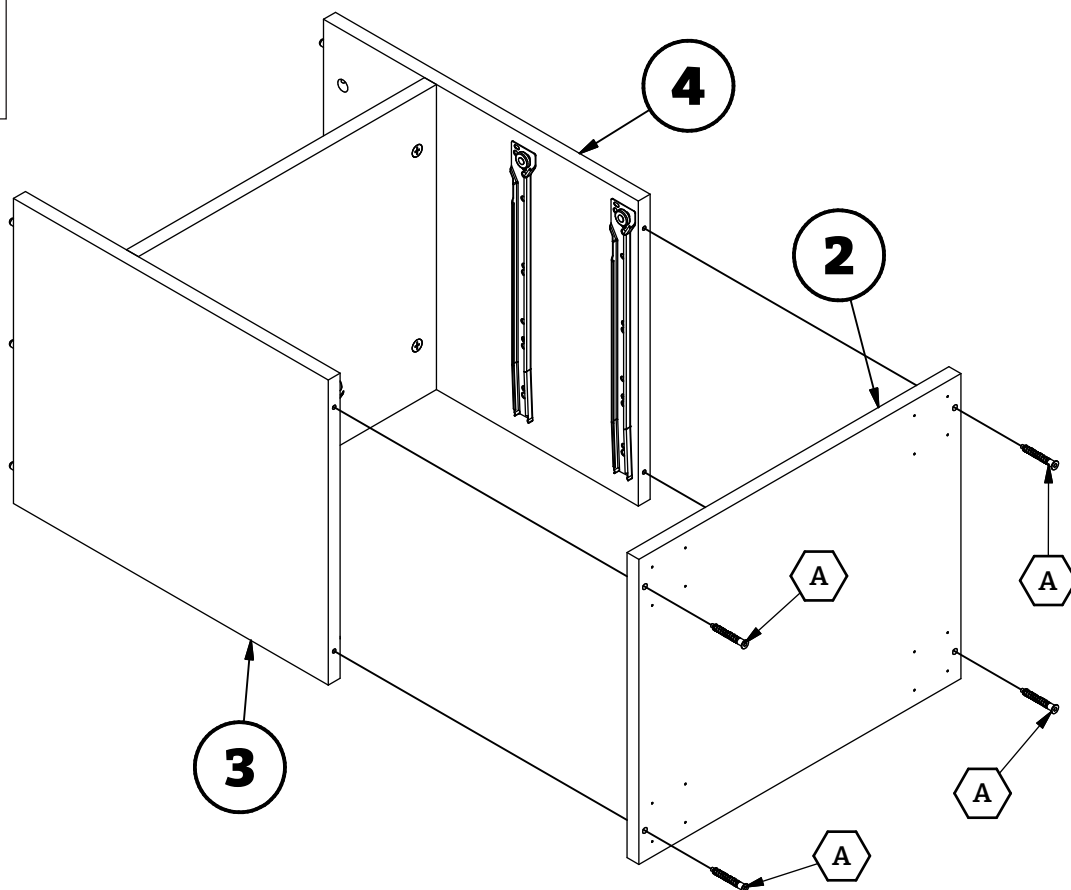
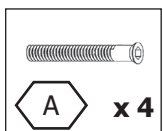
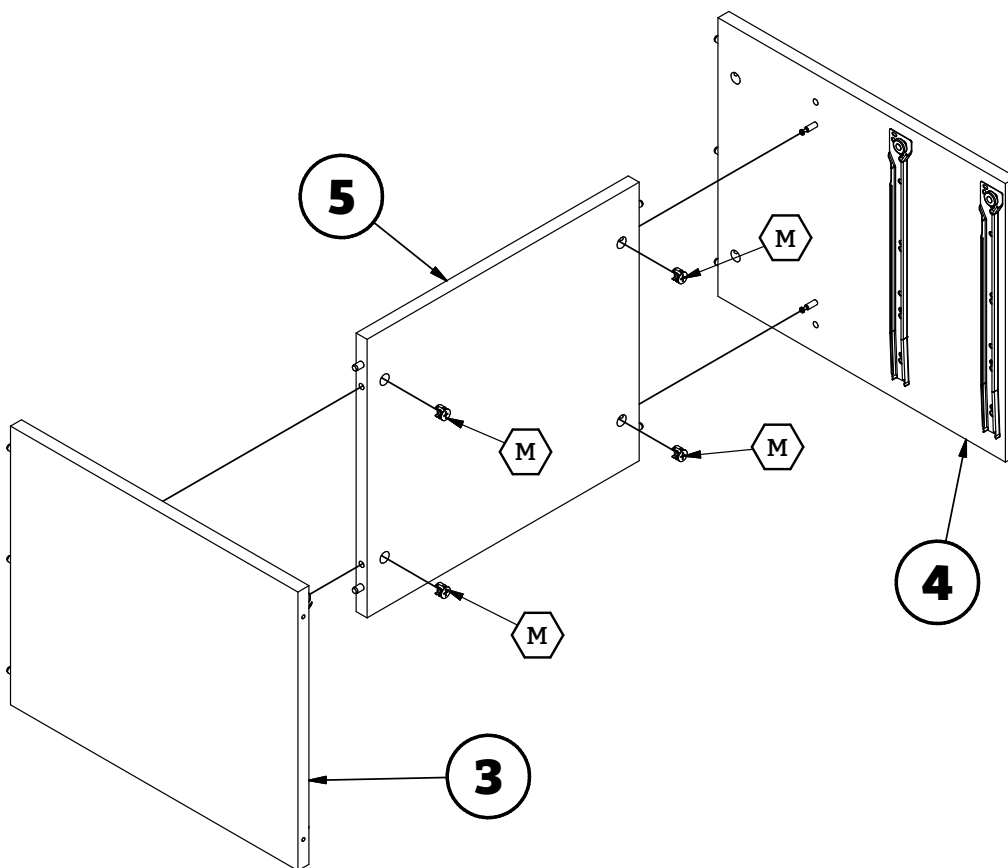
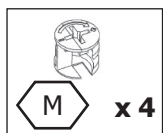


2

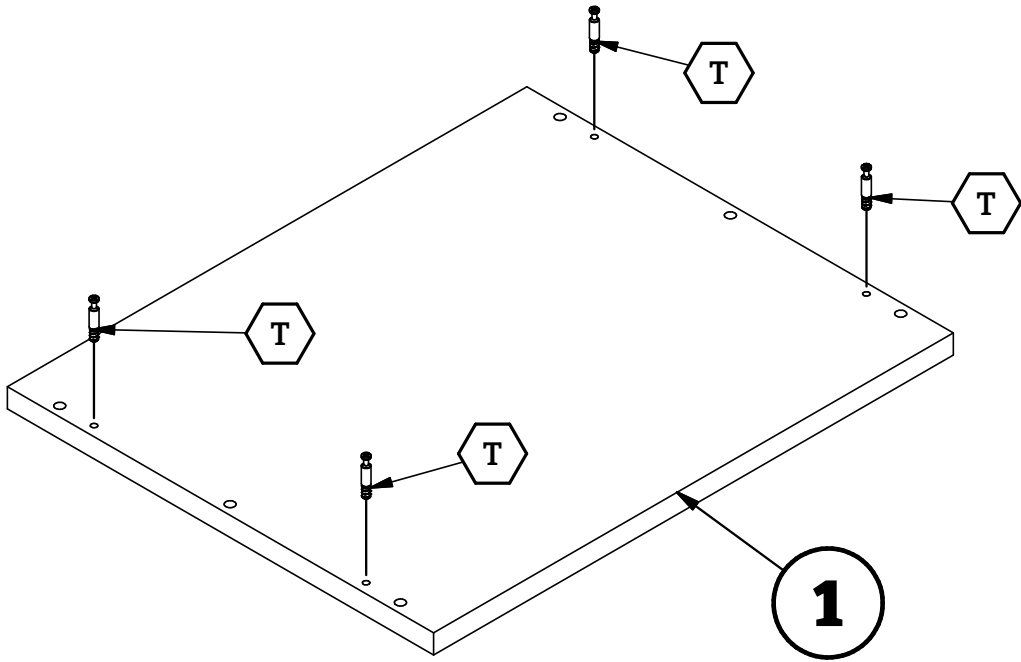
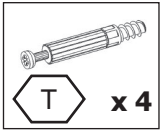


3

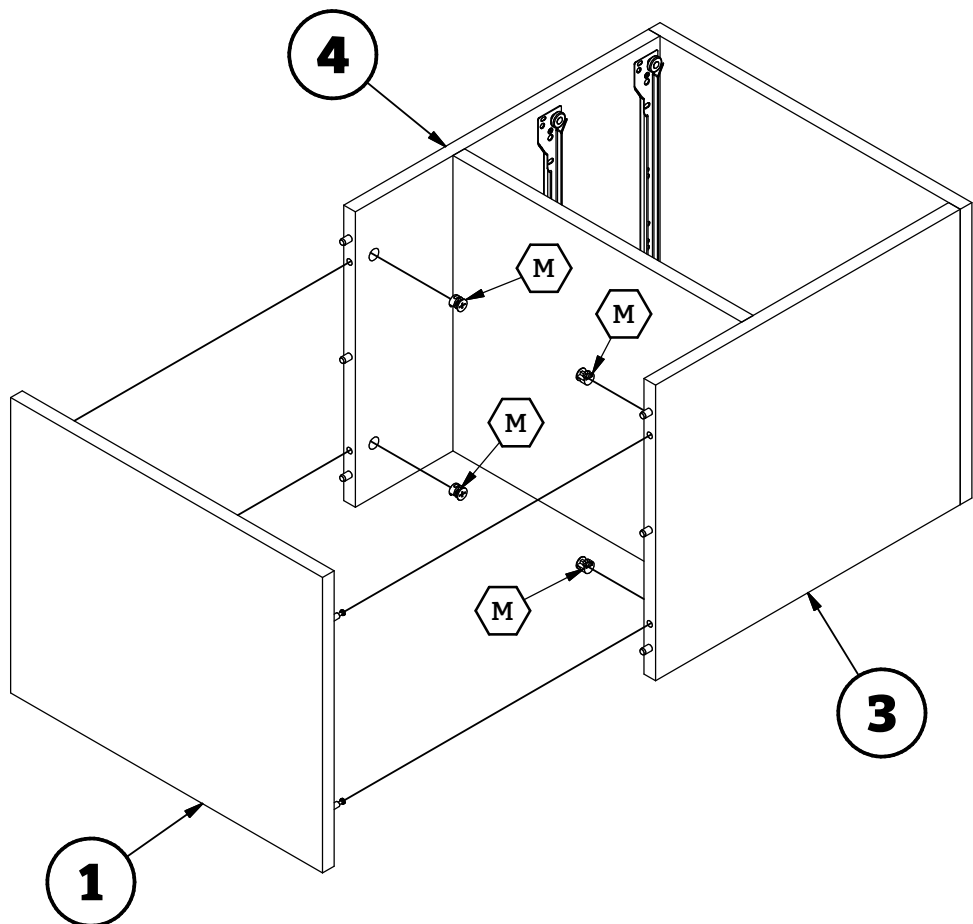
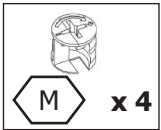


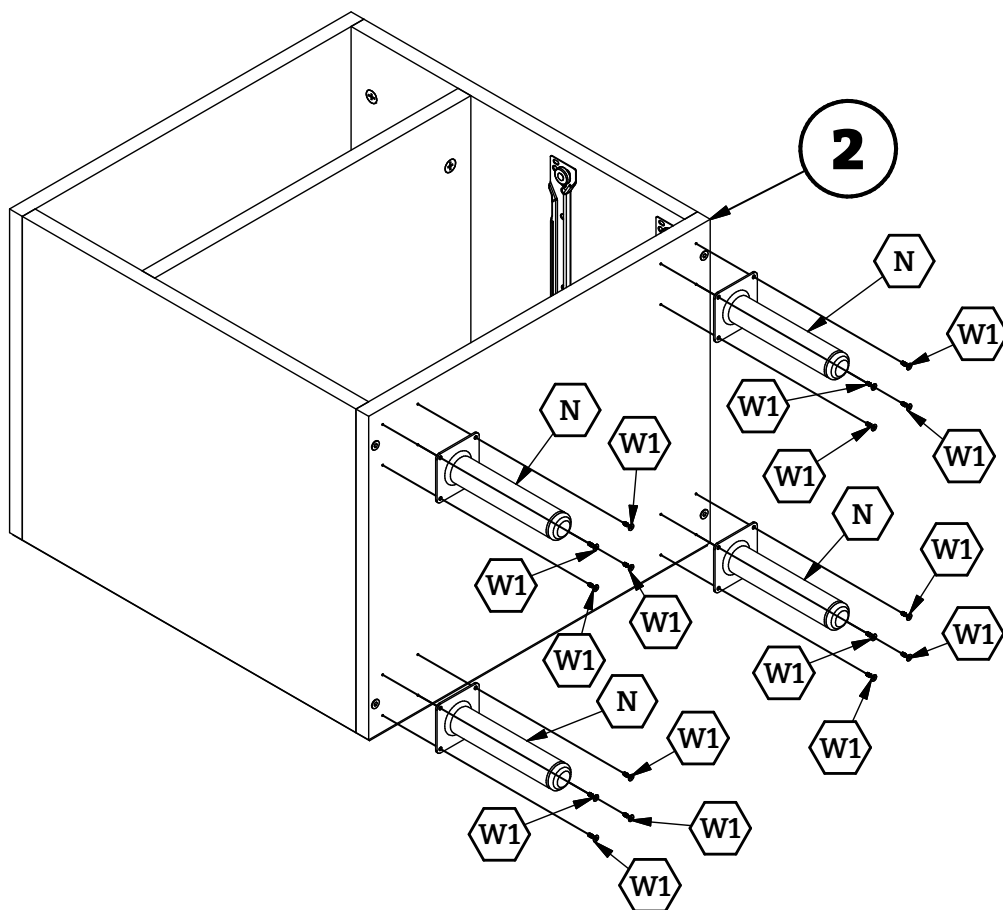
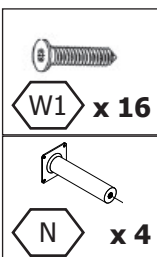
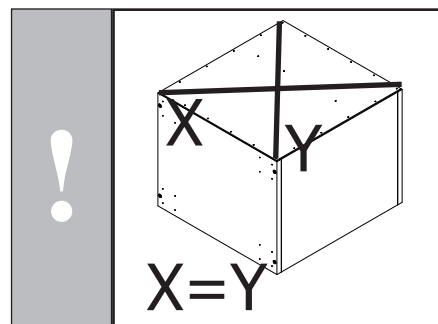
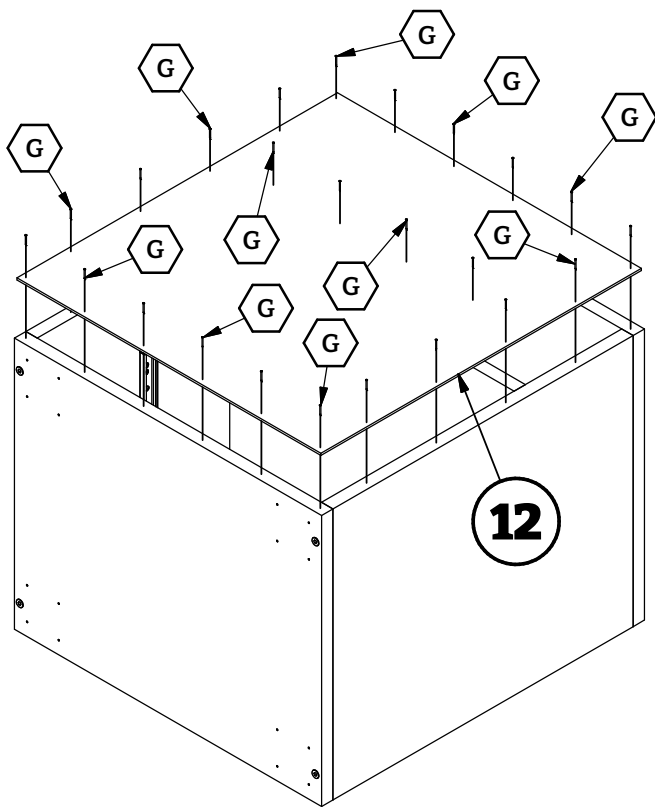
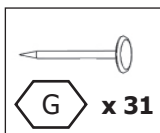


6

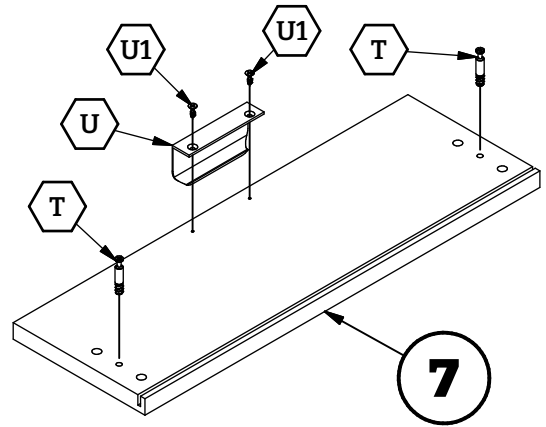
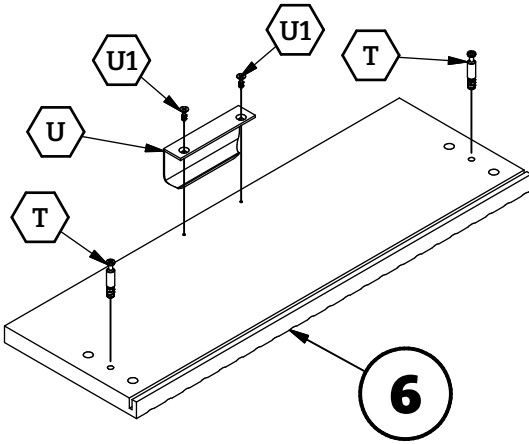
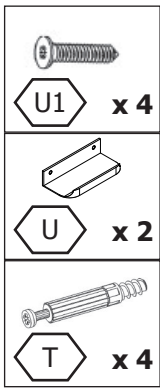


7

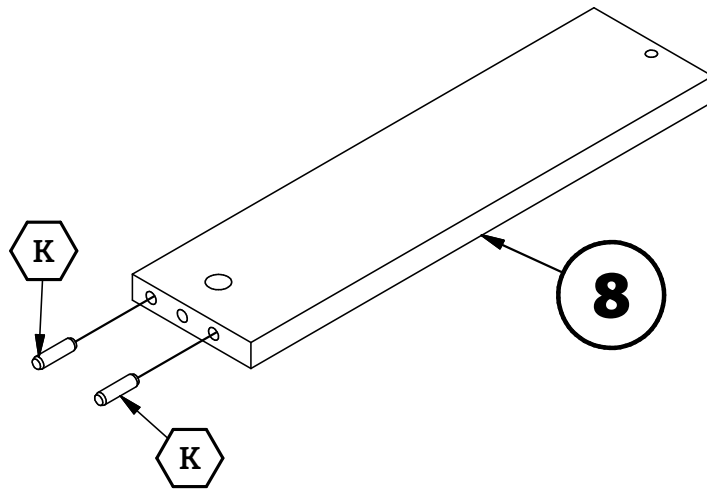
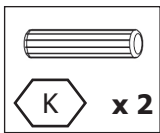




10

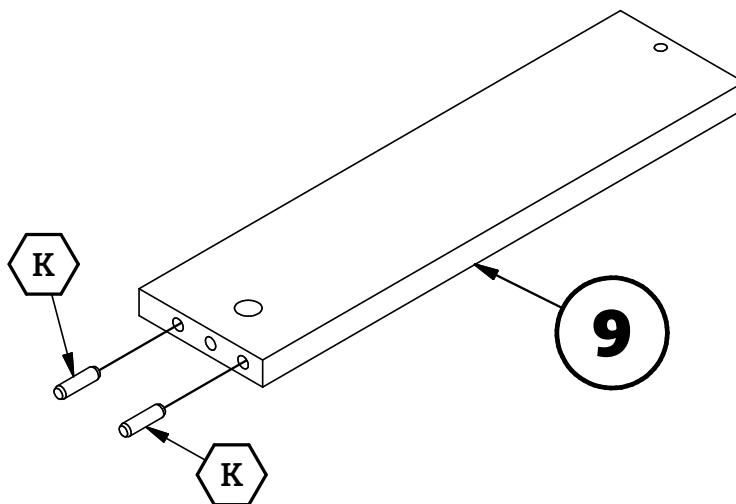
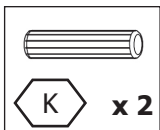


11



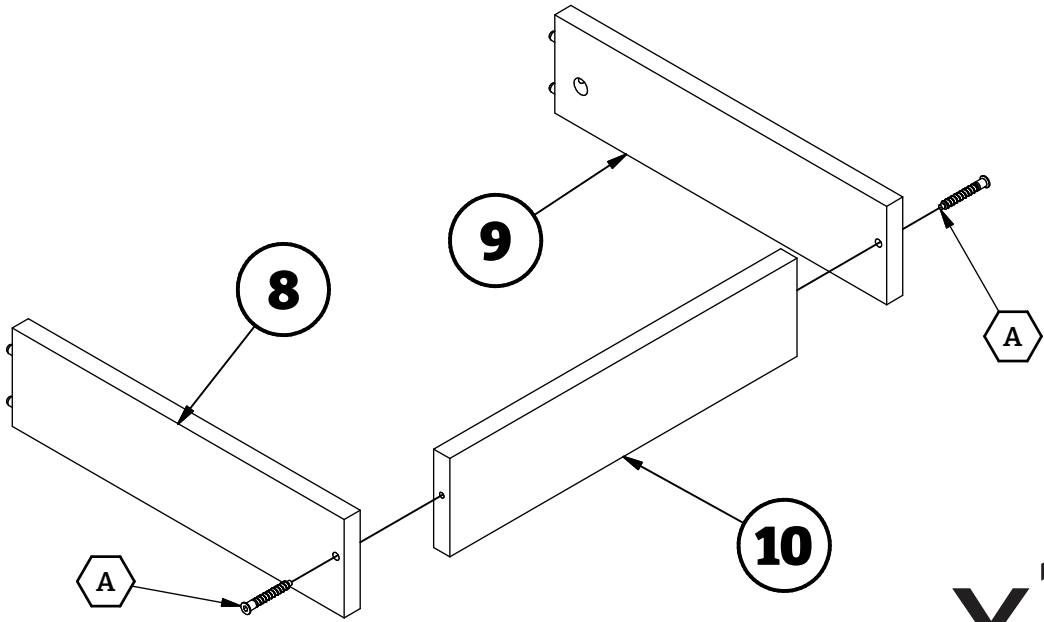
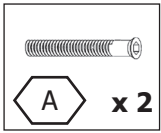
x2

12



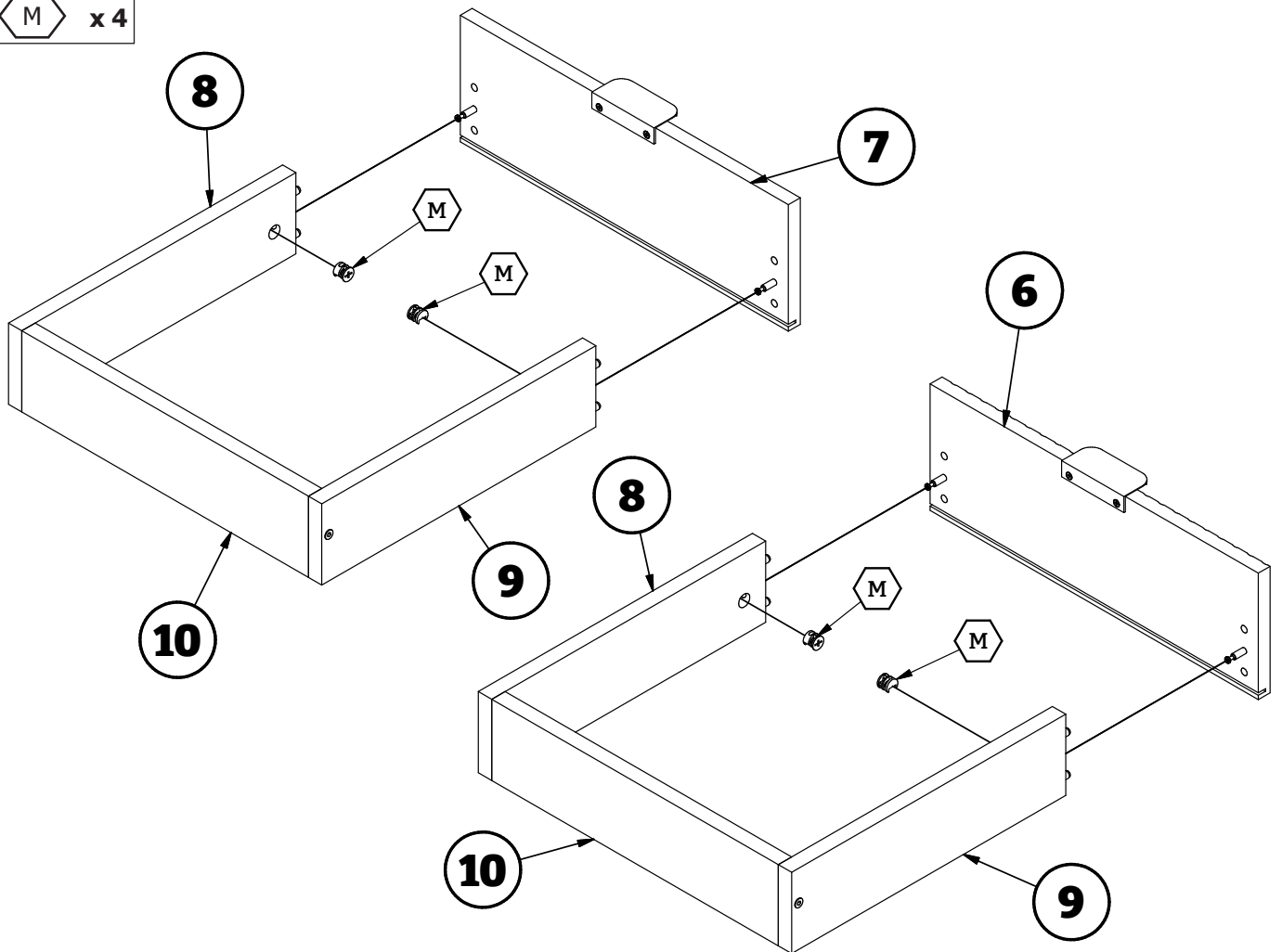
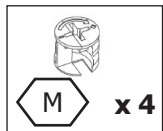
x2

13

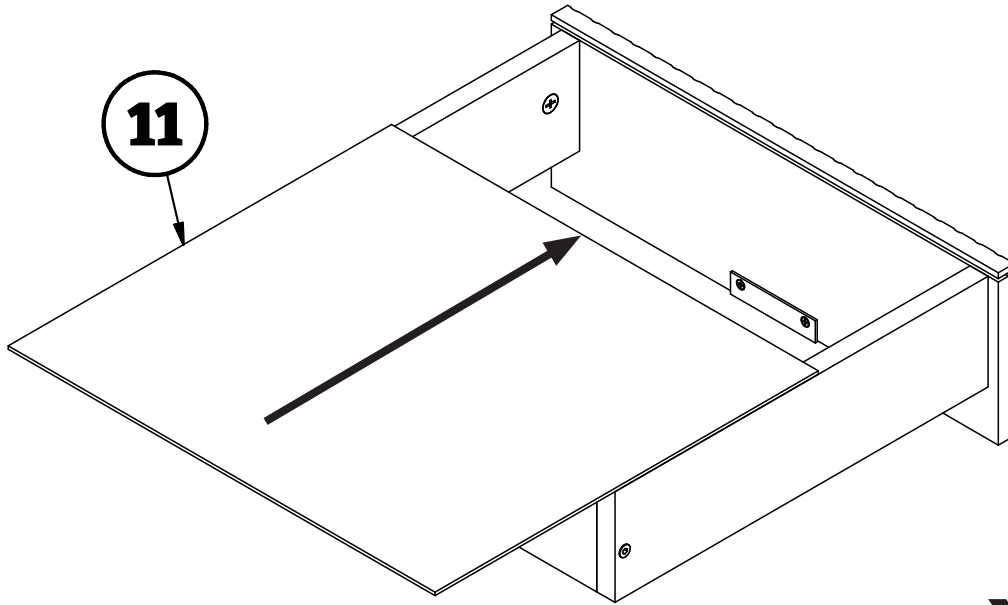


x2

14

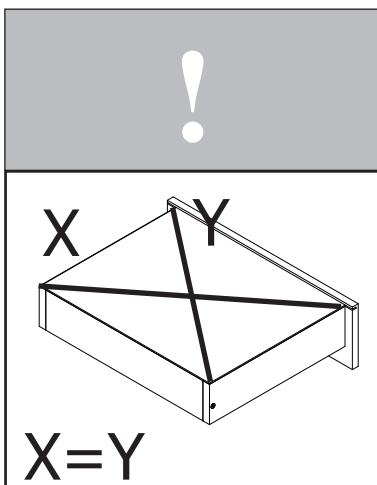
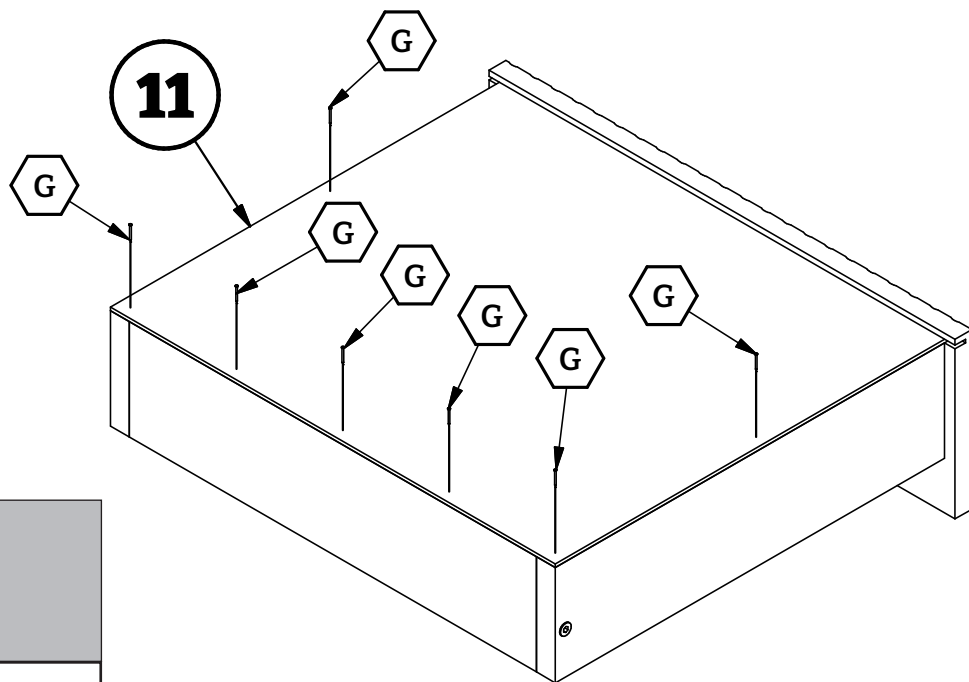
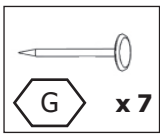


15



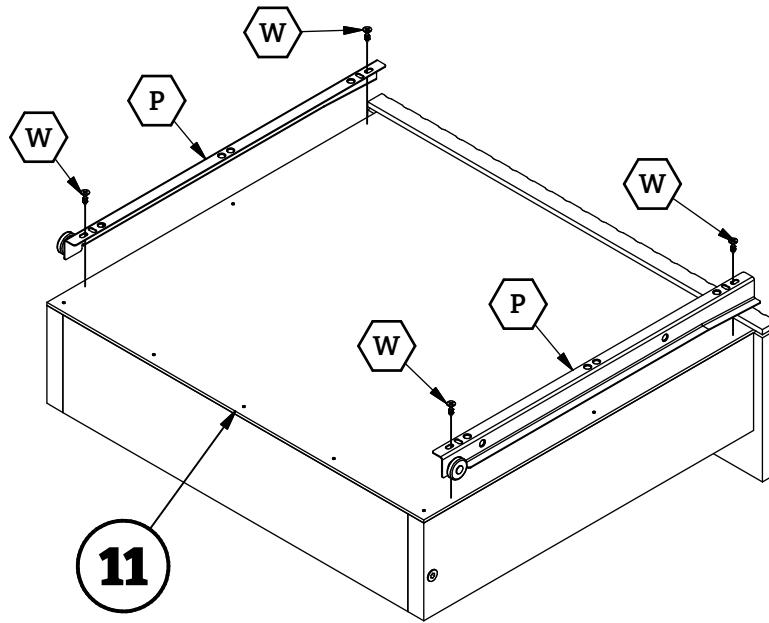
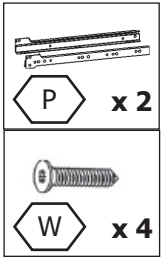
x2

16



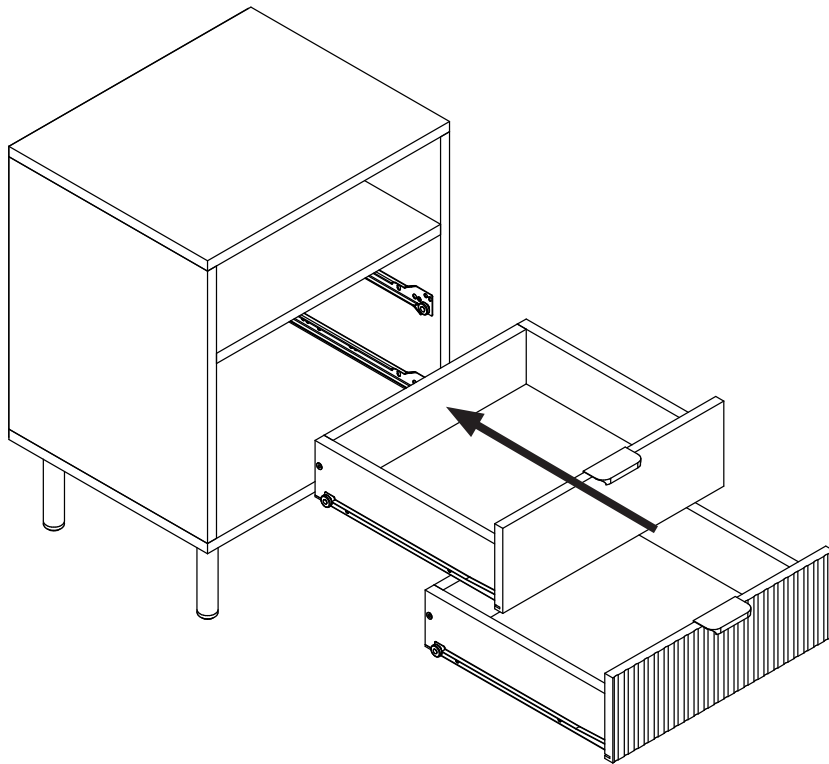
x2

17



x2

18



19

