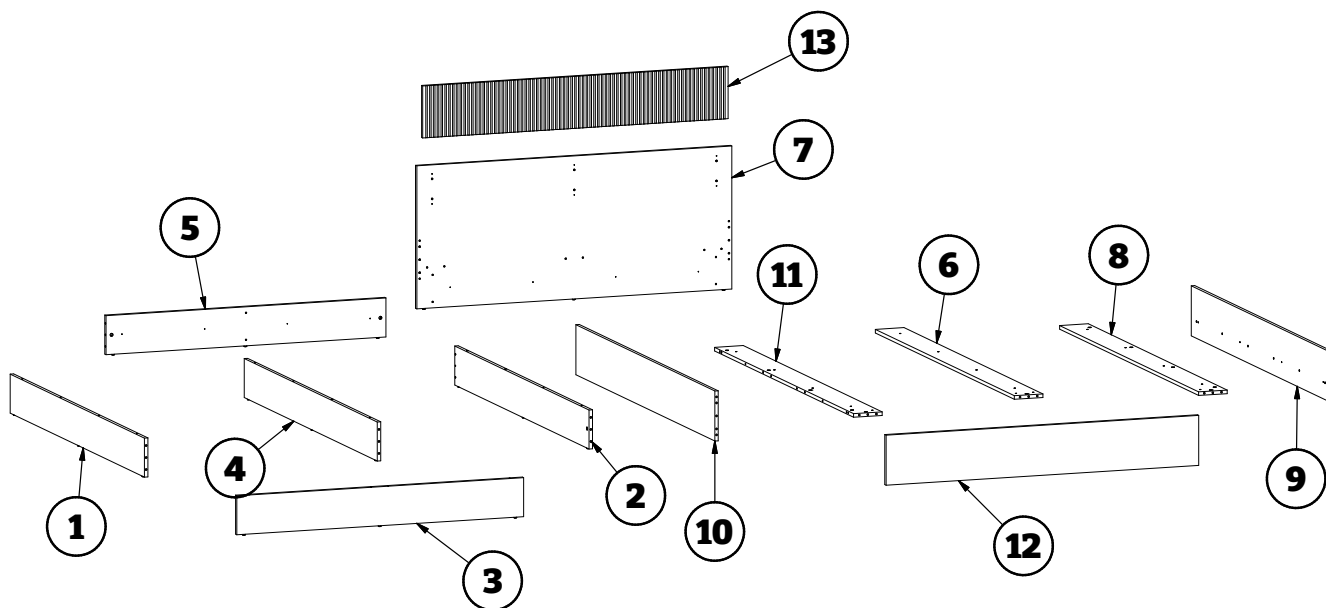
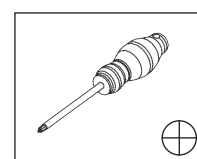
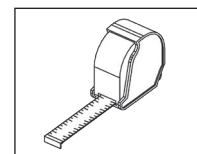
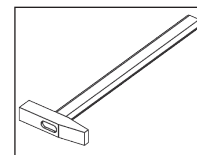
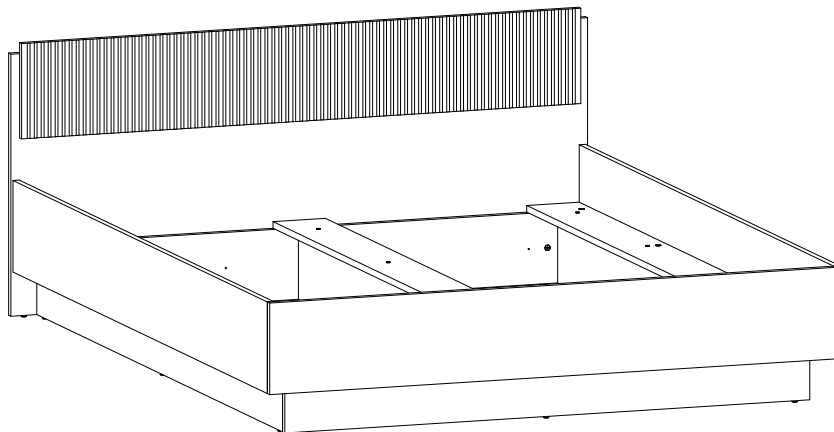







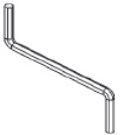




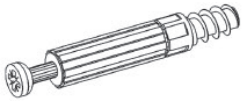











WAVE ŁÓŻKO 160x200



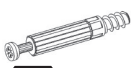

(1650x740x2036mm)

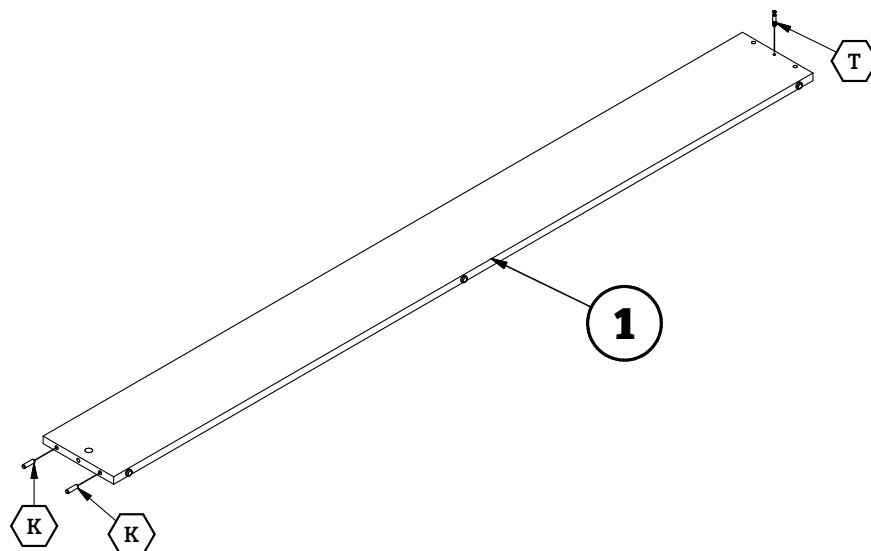


- | | | |
|---------------------------|---------------------------|---------------------------|
| ① x1 1932x195x18mm | ② x1 1932x195x18mm | ③ x1 1502x195x18mm |
| ④ x1 1913x195x18mm | ⑤ x1 1464x195x18mm | ⑥ x1 1999x150x18mm |
| ⑦ x1 715x1650x18mm | ⑧ x1 1999x150x18mm | ⑨ x1 2000x250x18mm |
| ⑩ x1 2000x250x18mm | ⑪ x1 1999x150x18mm | ⑫ x1 1638x250x18mm |
| ⑬ x1 1600x260x16mm | | |

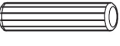

   <p>x 40 $\Phi 8 \times 35 \text{mm}$</p>	   <p>x 10 $\Phi 4 \times 30 \text{mm}$</p>	  <p>x 1</p>
   <p>x 32 7×50</p>	   <p>x 20</p>	   <p>x 20</p>
  <p>x 20</p>	   <p>x 6 $\Phi 8 \times 20 \text{mm}$</p>	

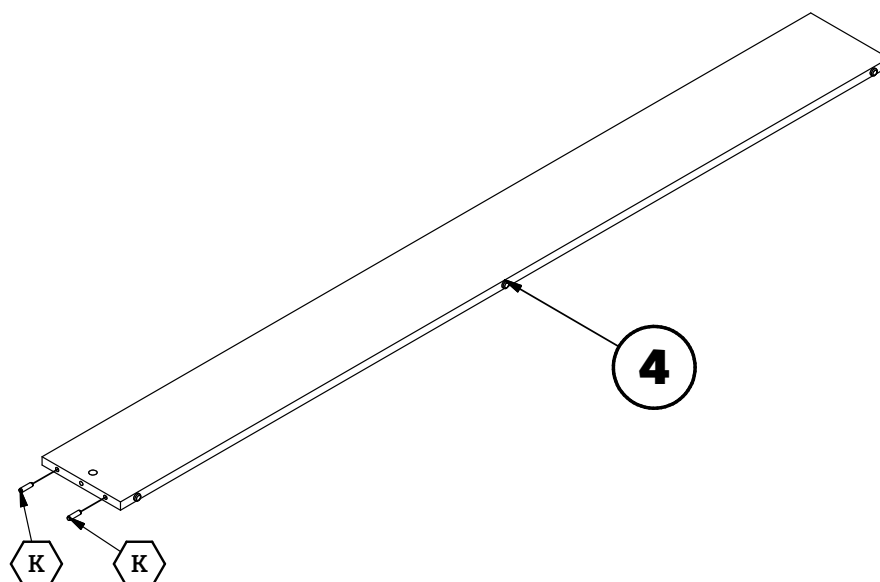
1


 <p>x 2</p>

 <p>x 1</p>

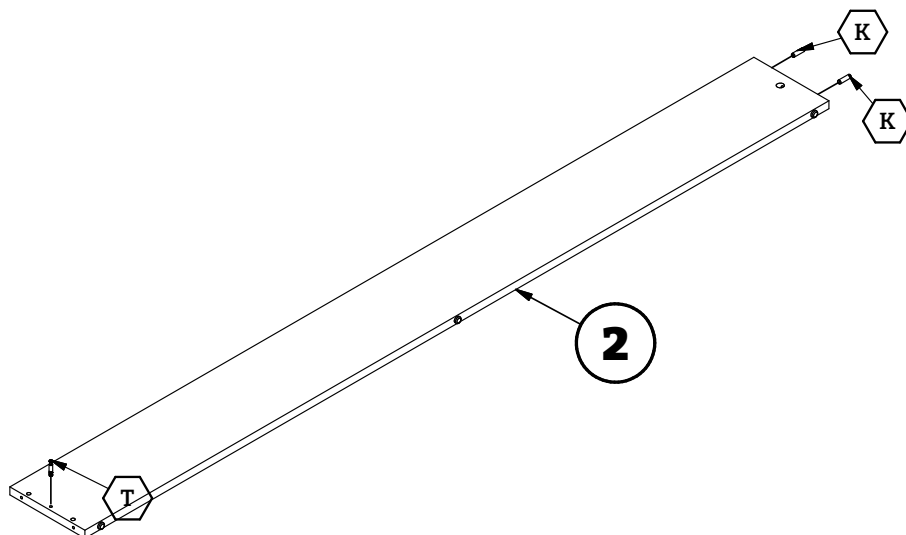
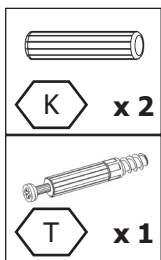


2

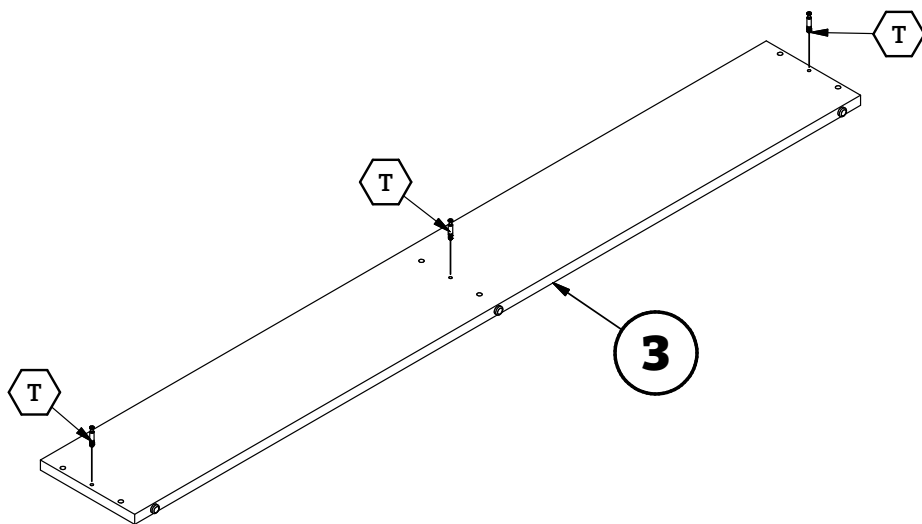
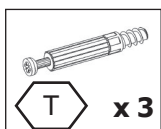

 <p>x 2</p>



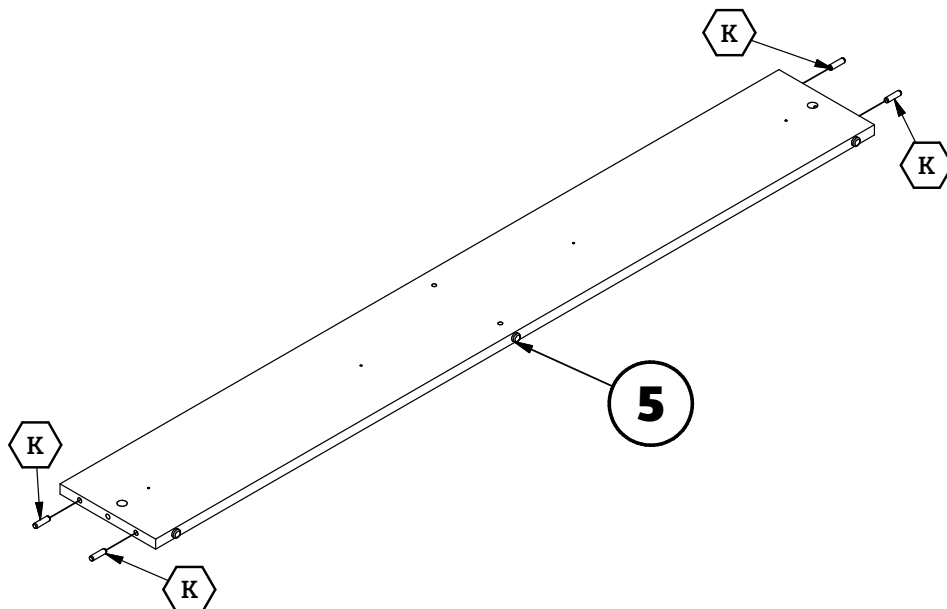
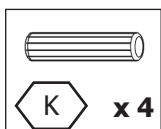
3



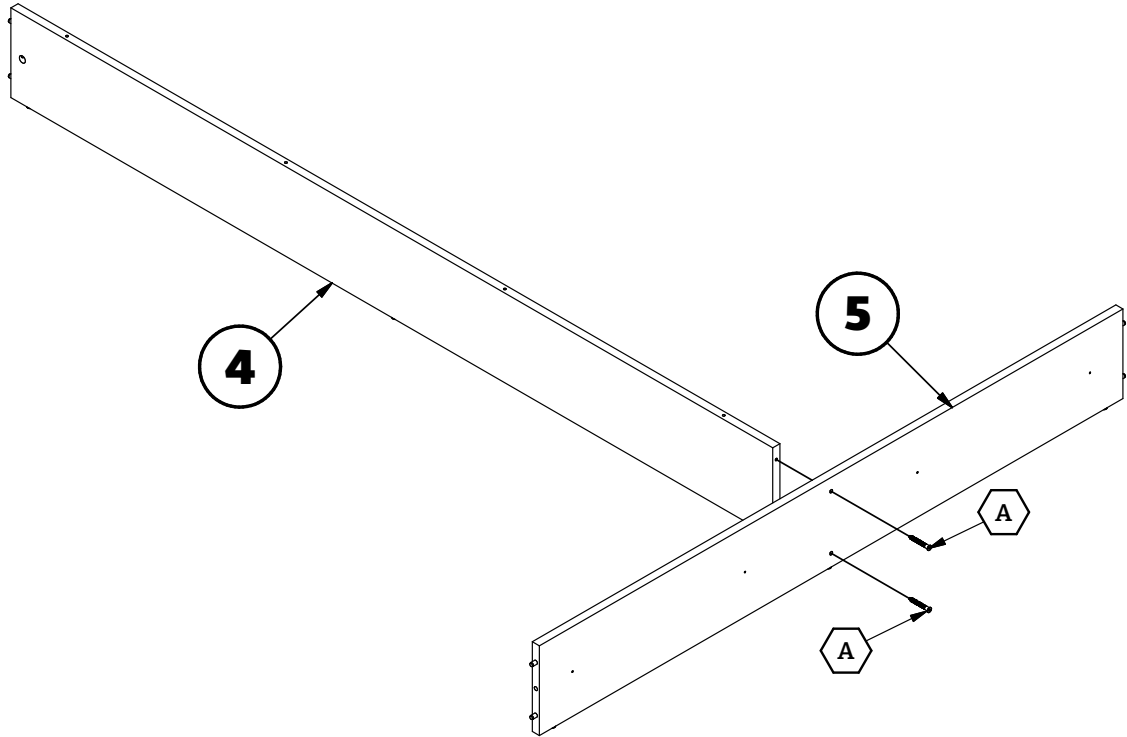
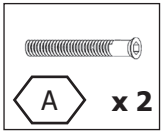
4



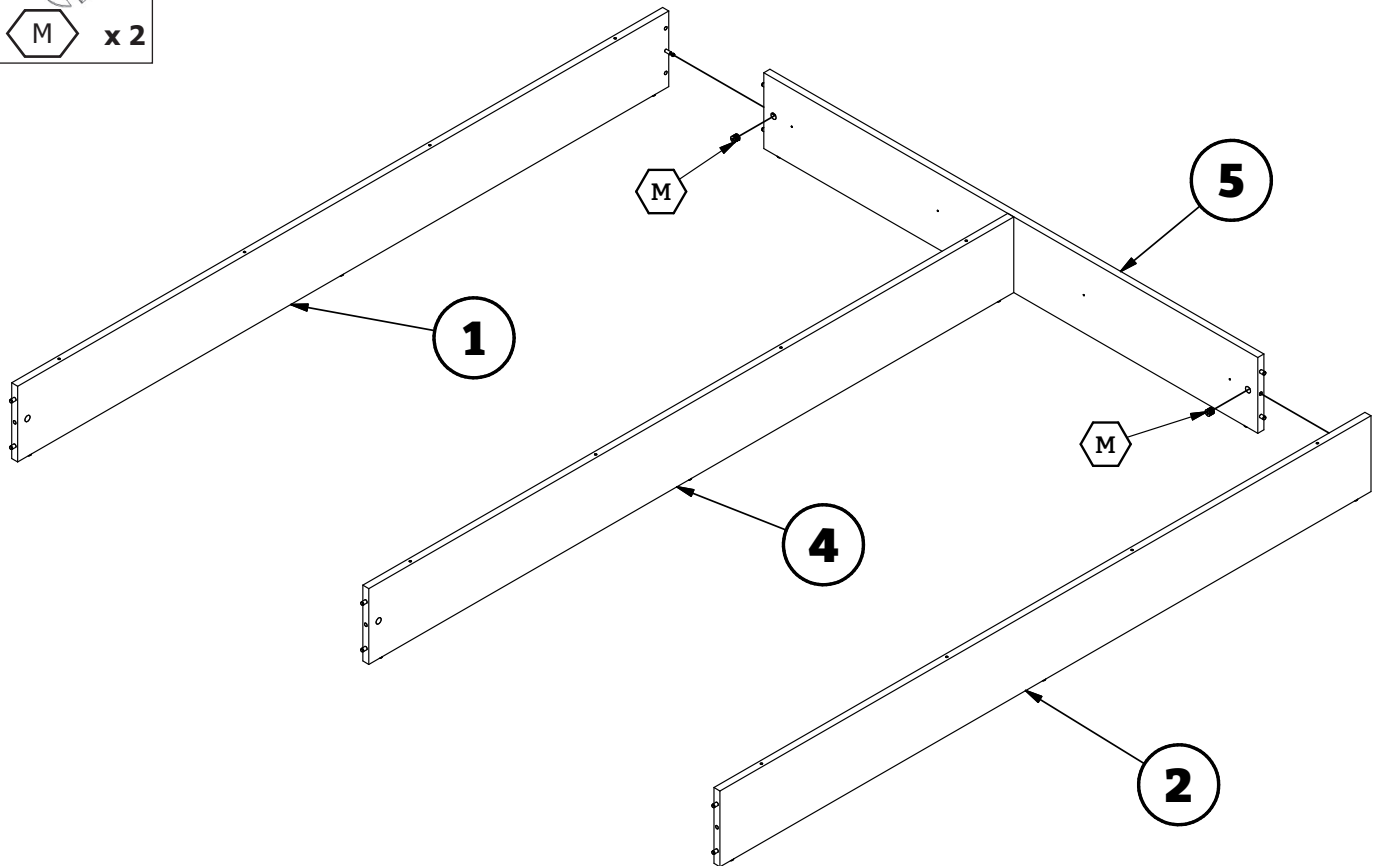
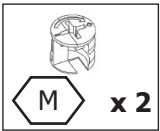
5



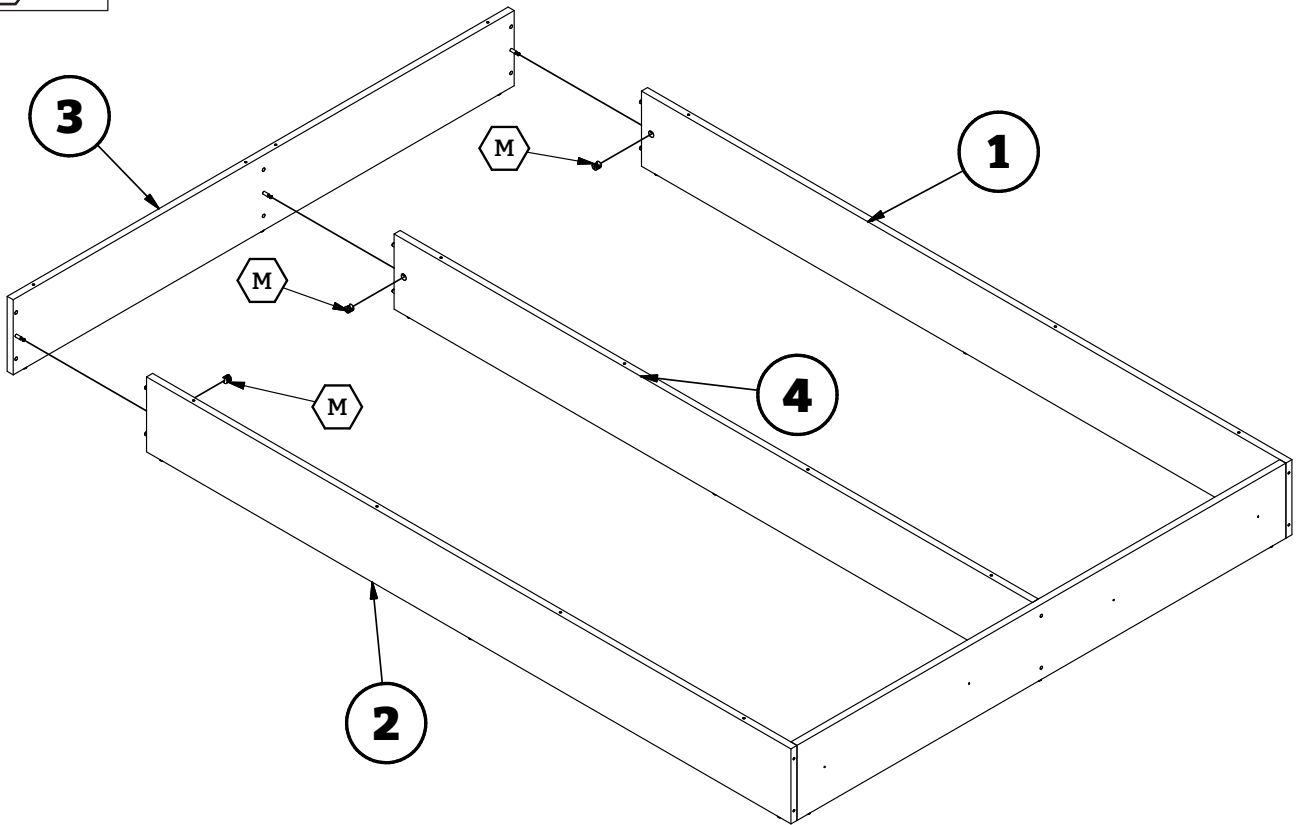
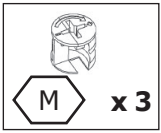
6



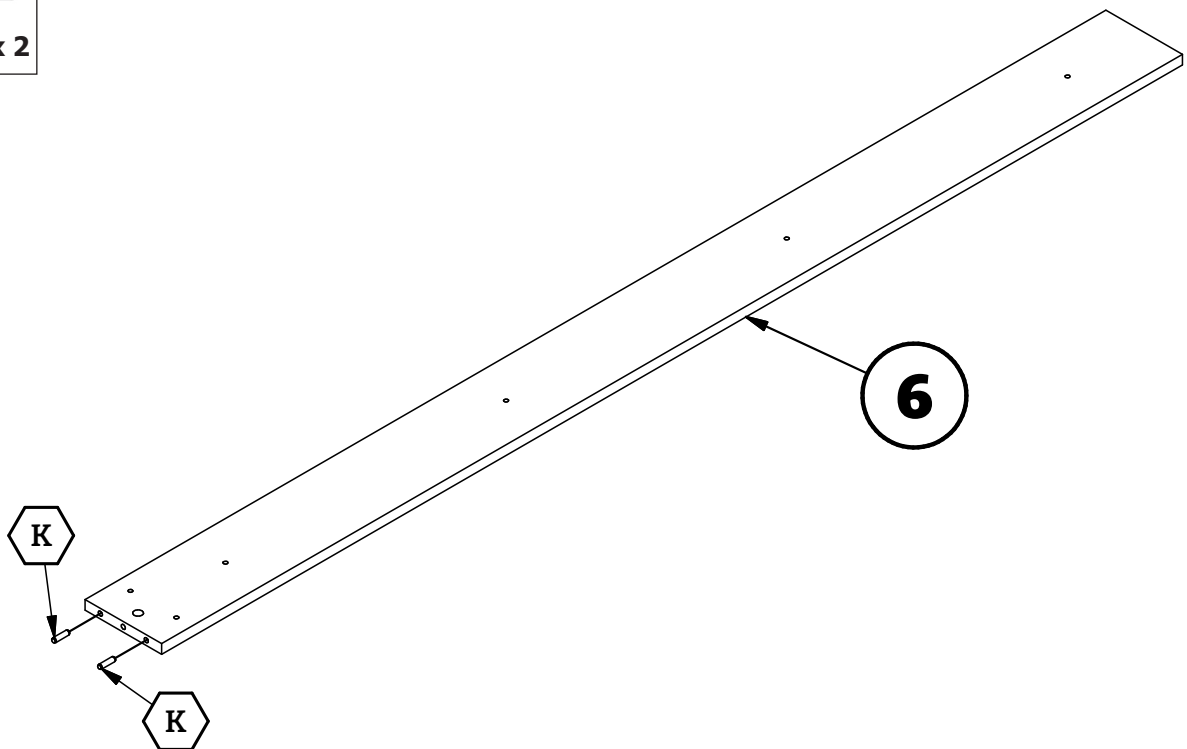
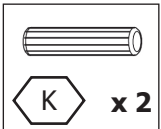
7



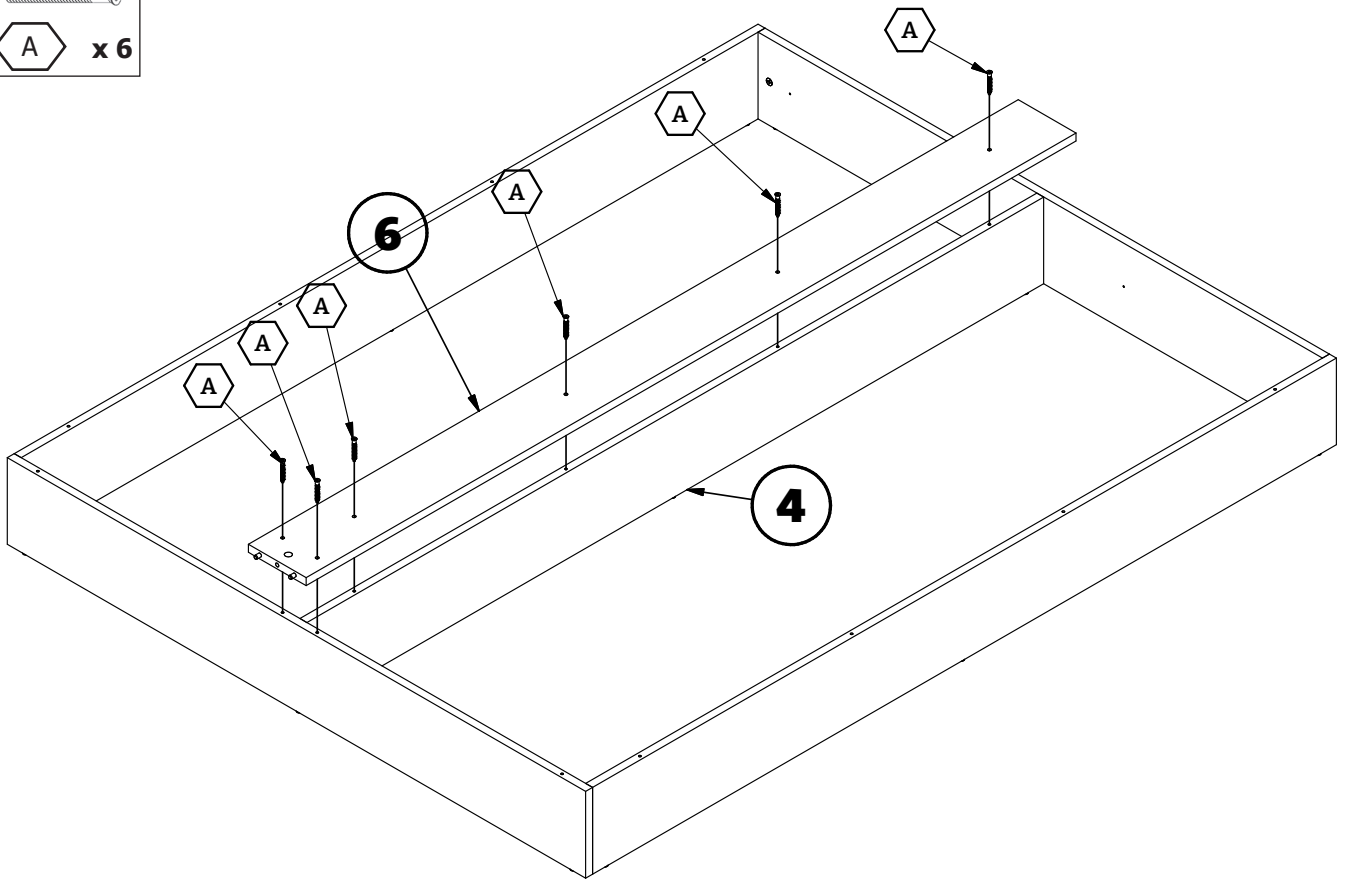
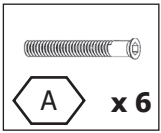
8



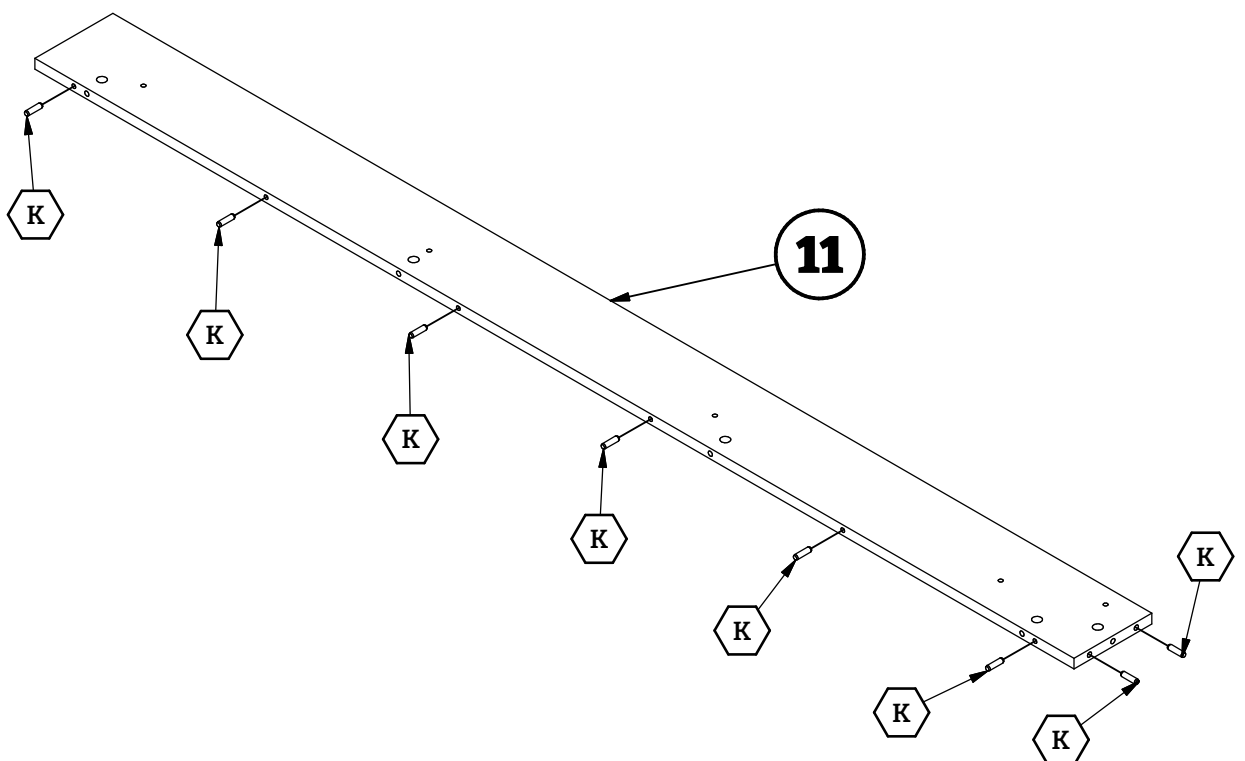
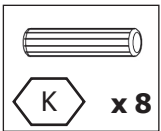
9



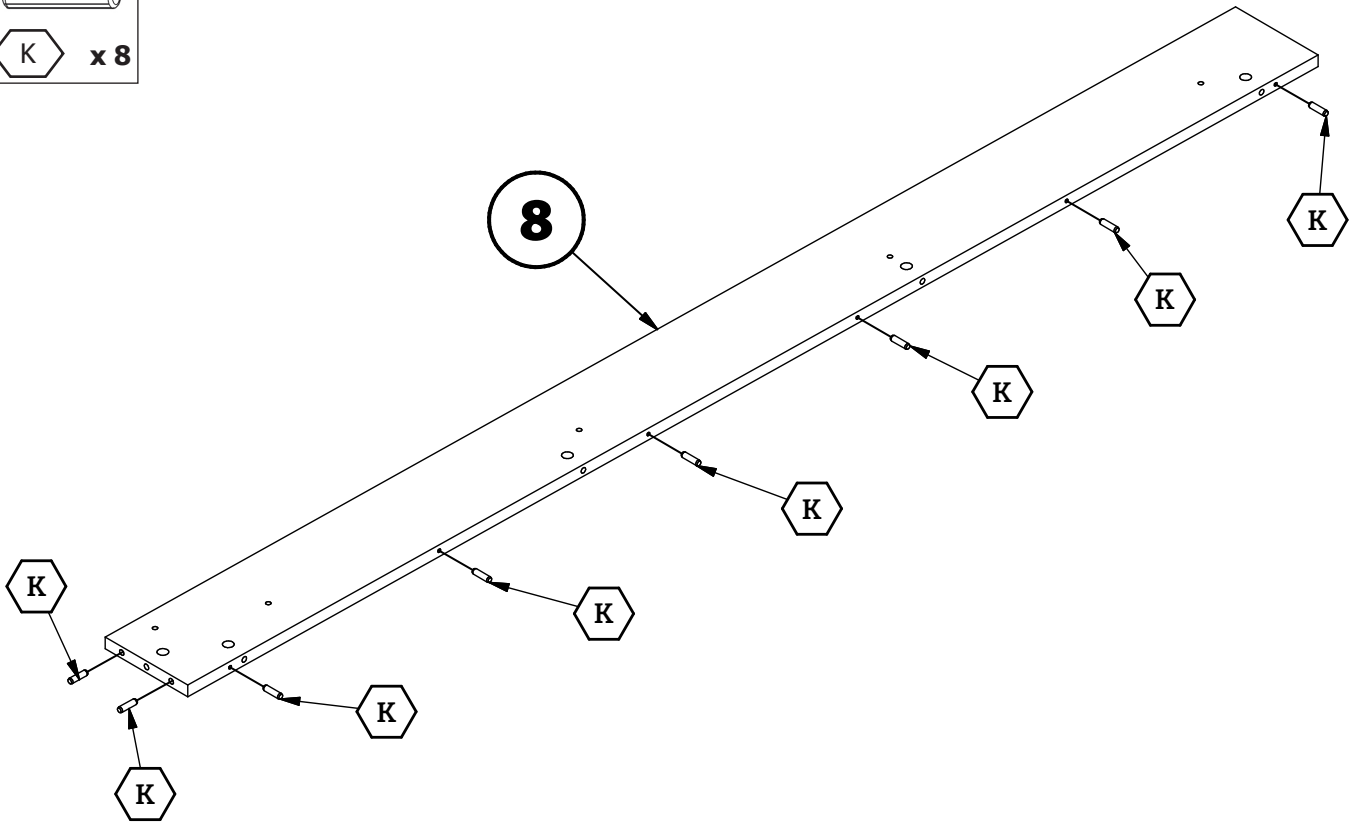
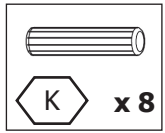
10



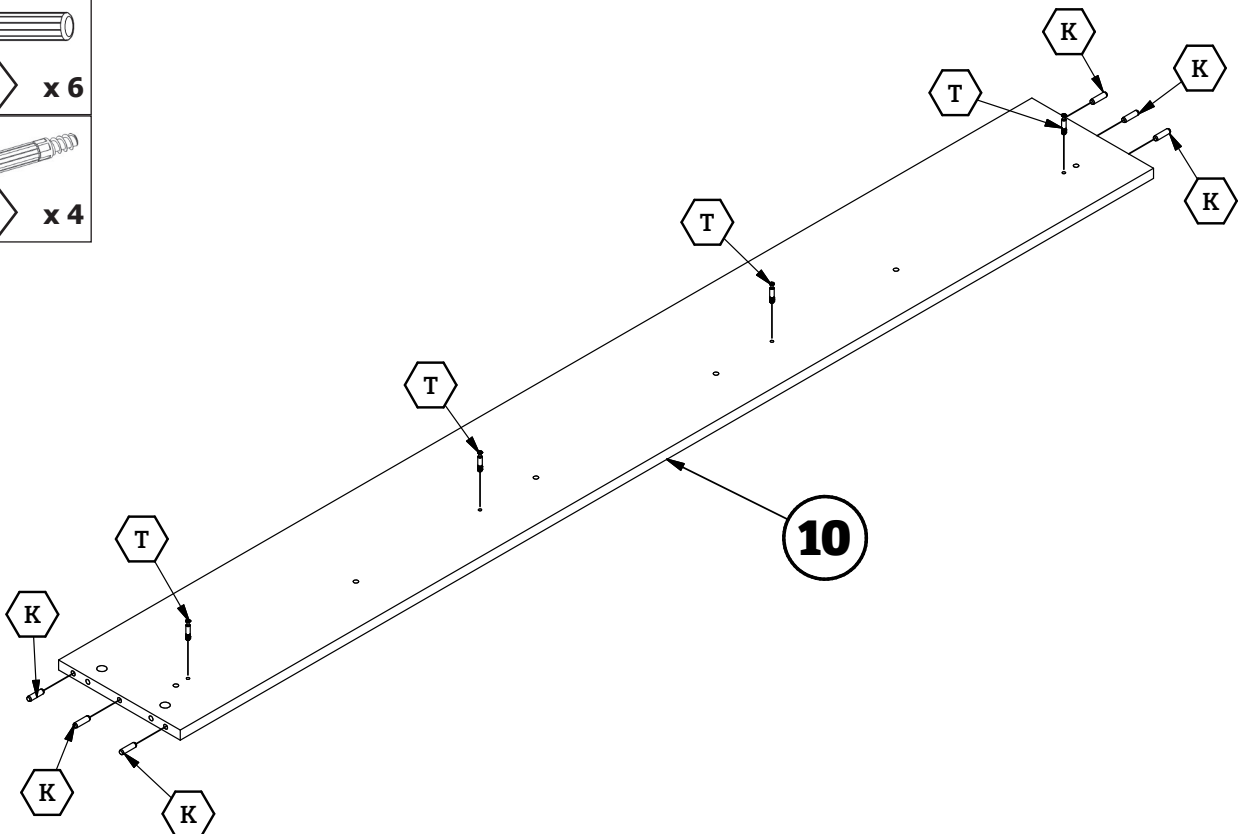
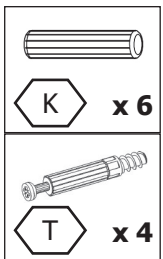
11



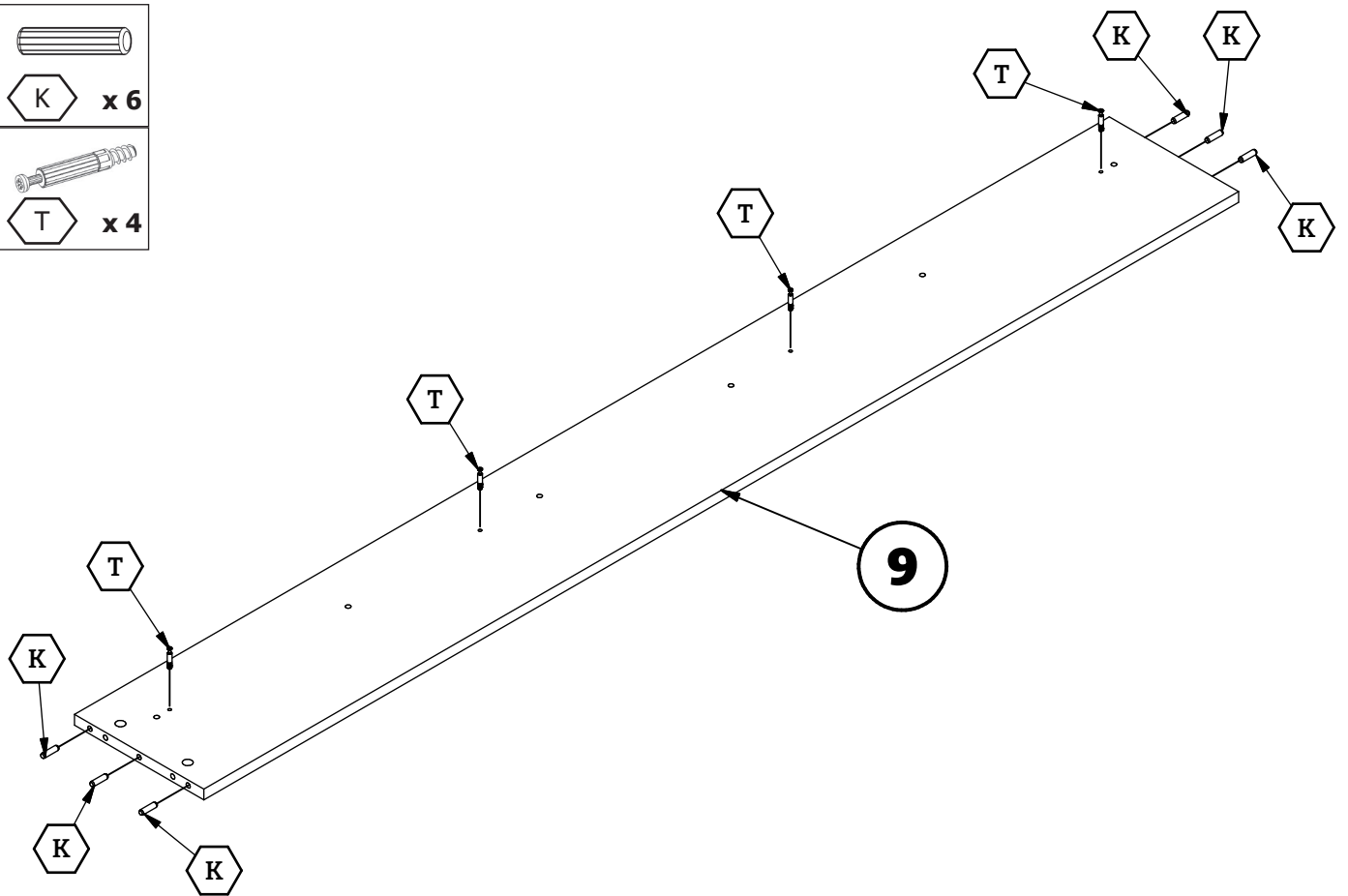
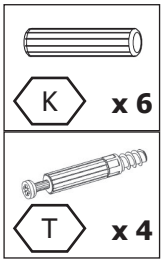
12



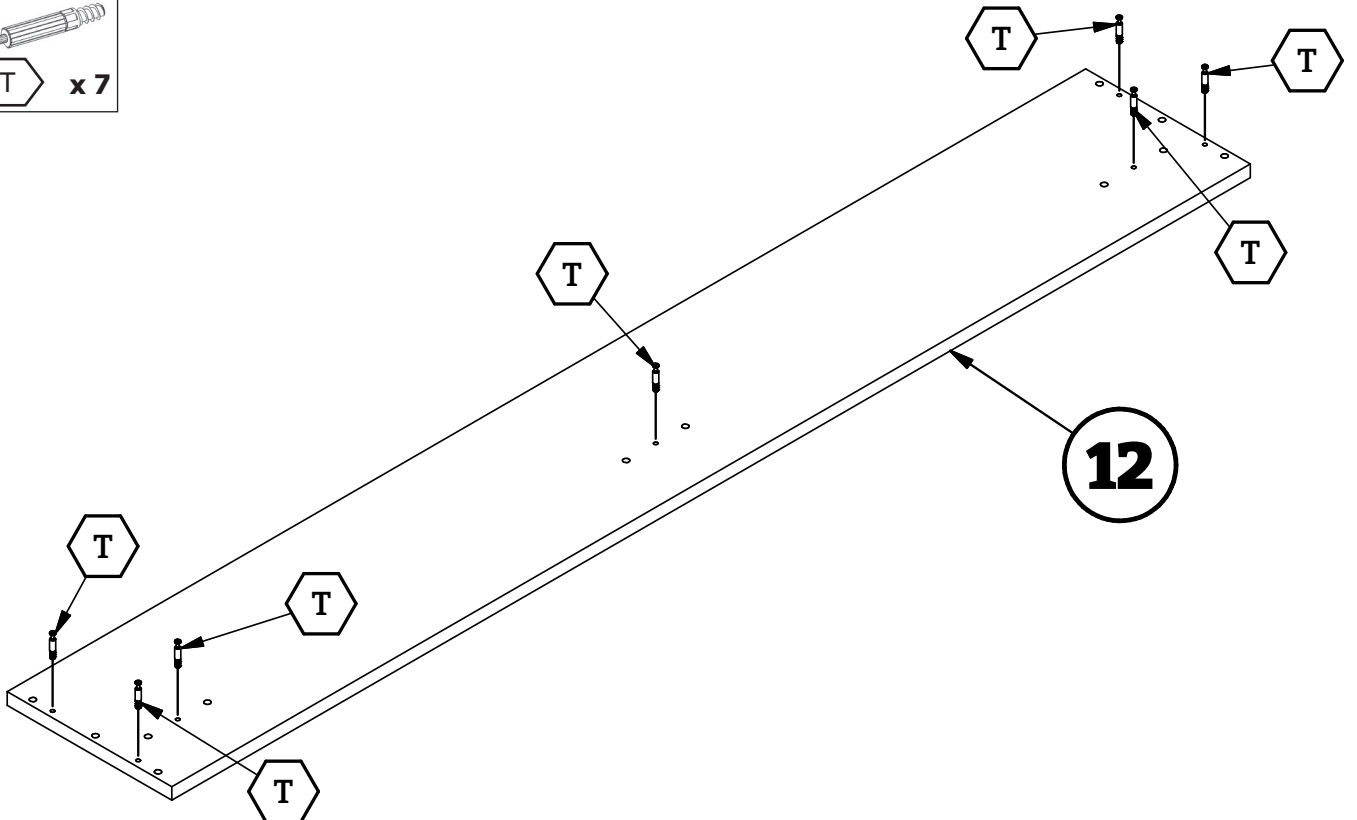
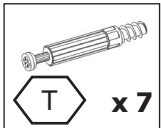
13



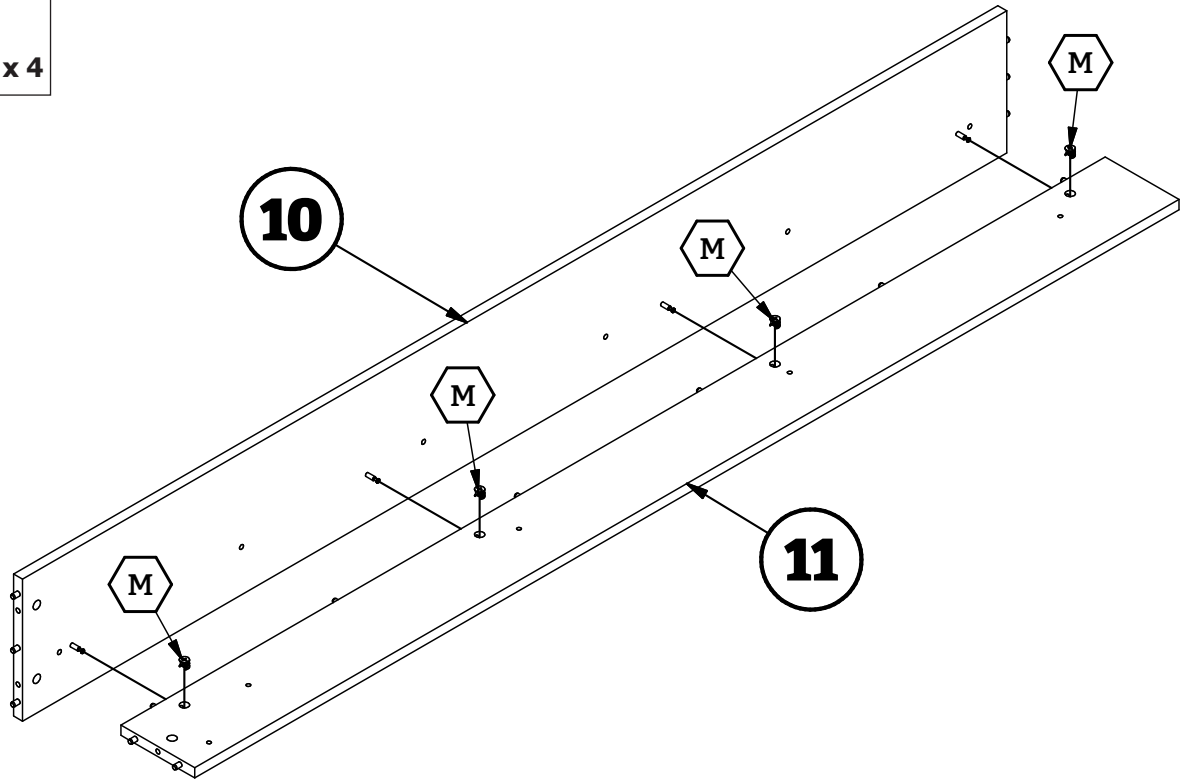
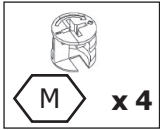
14



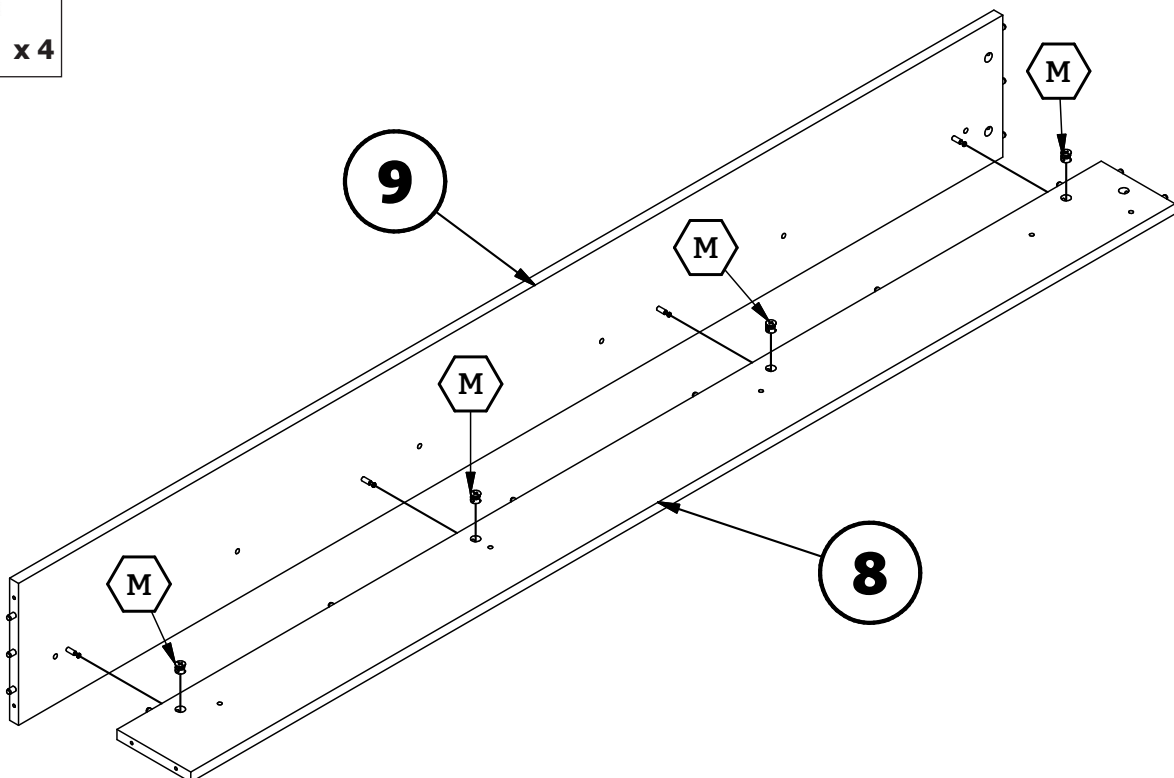
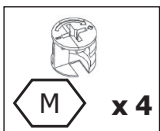
15

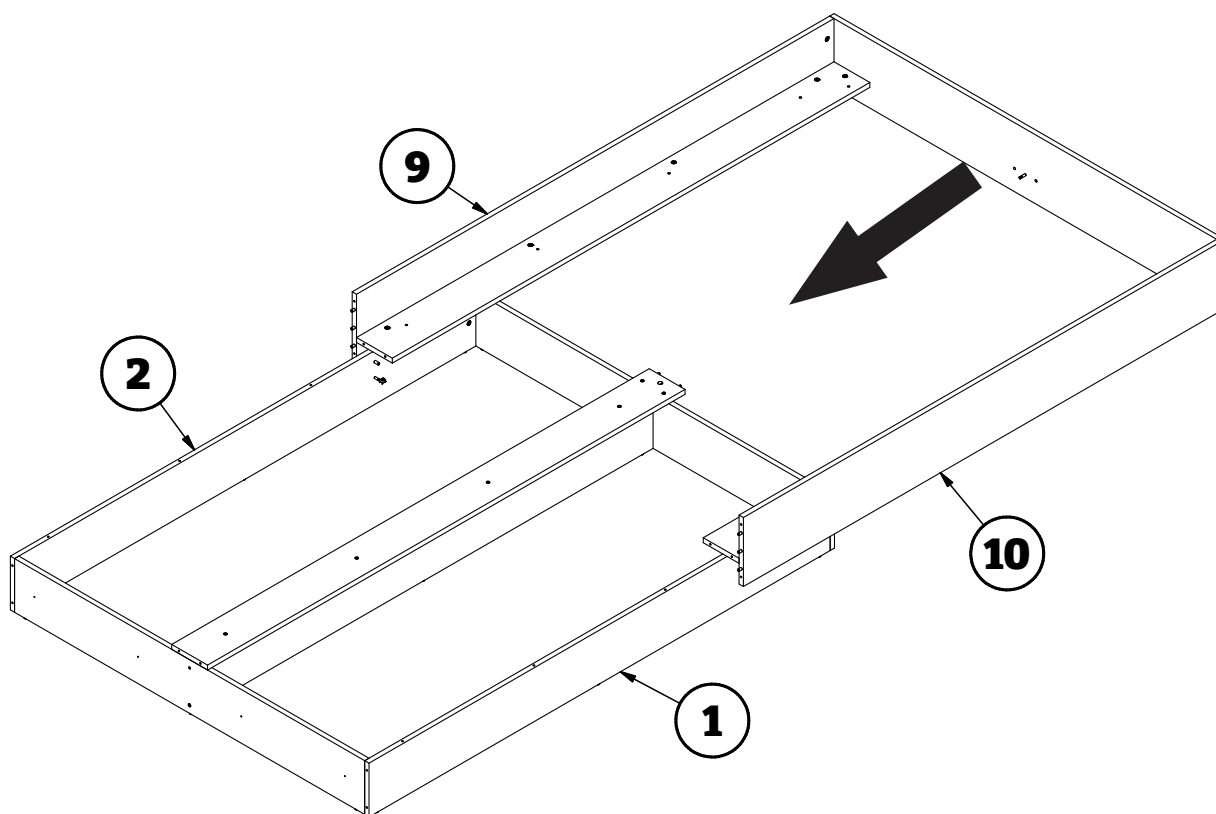
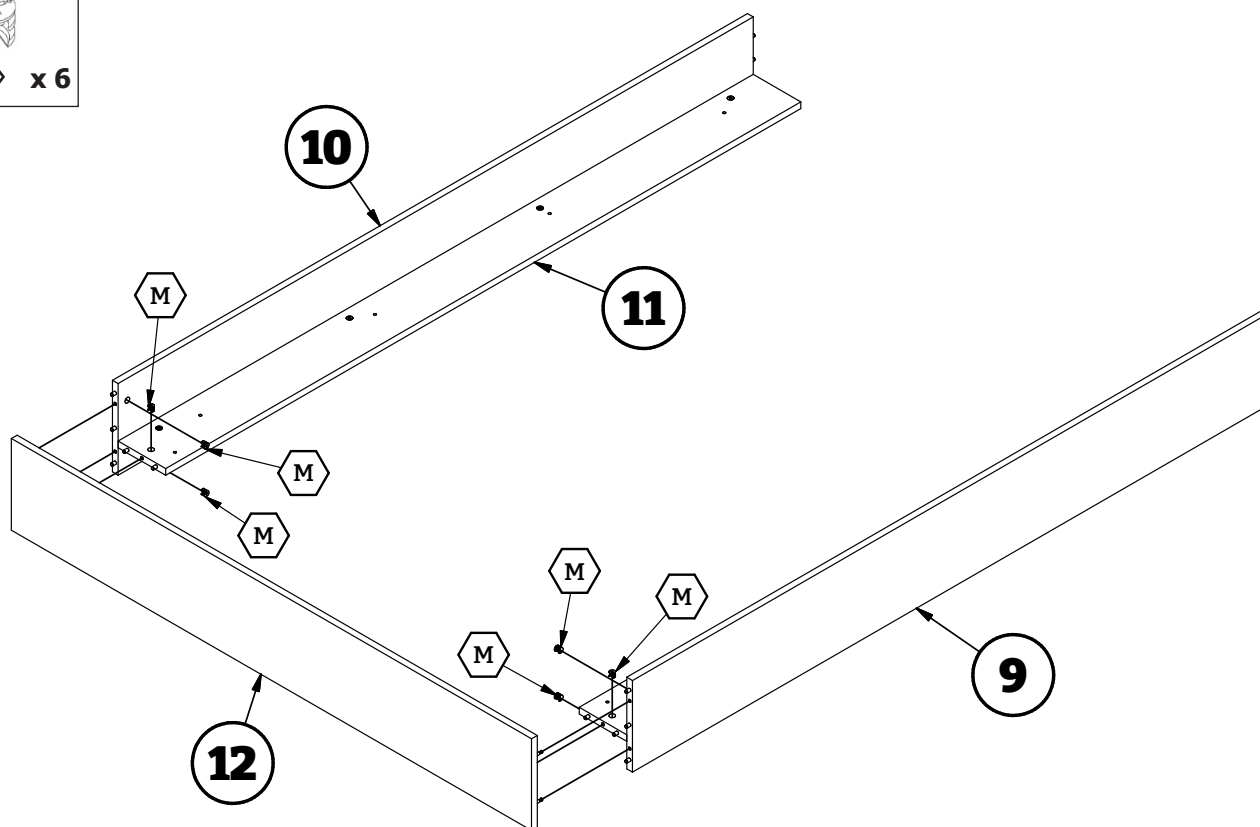
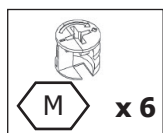


16

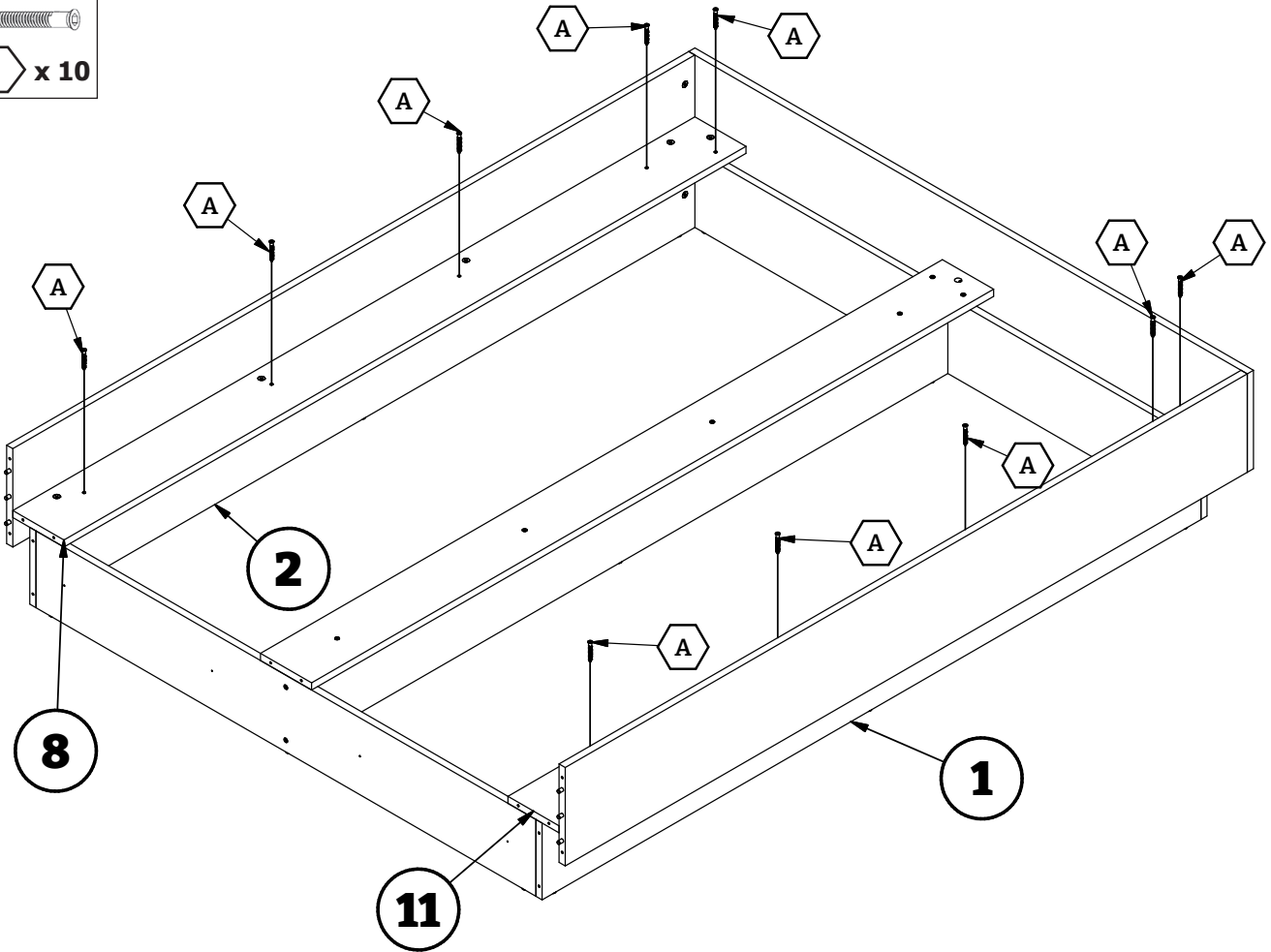
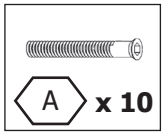


17

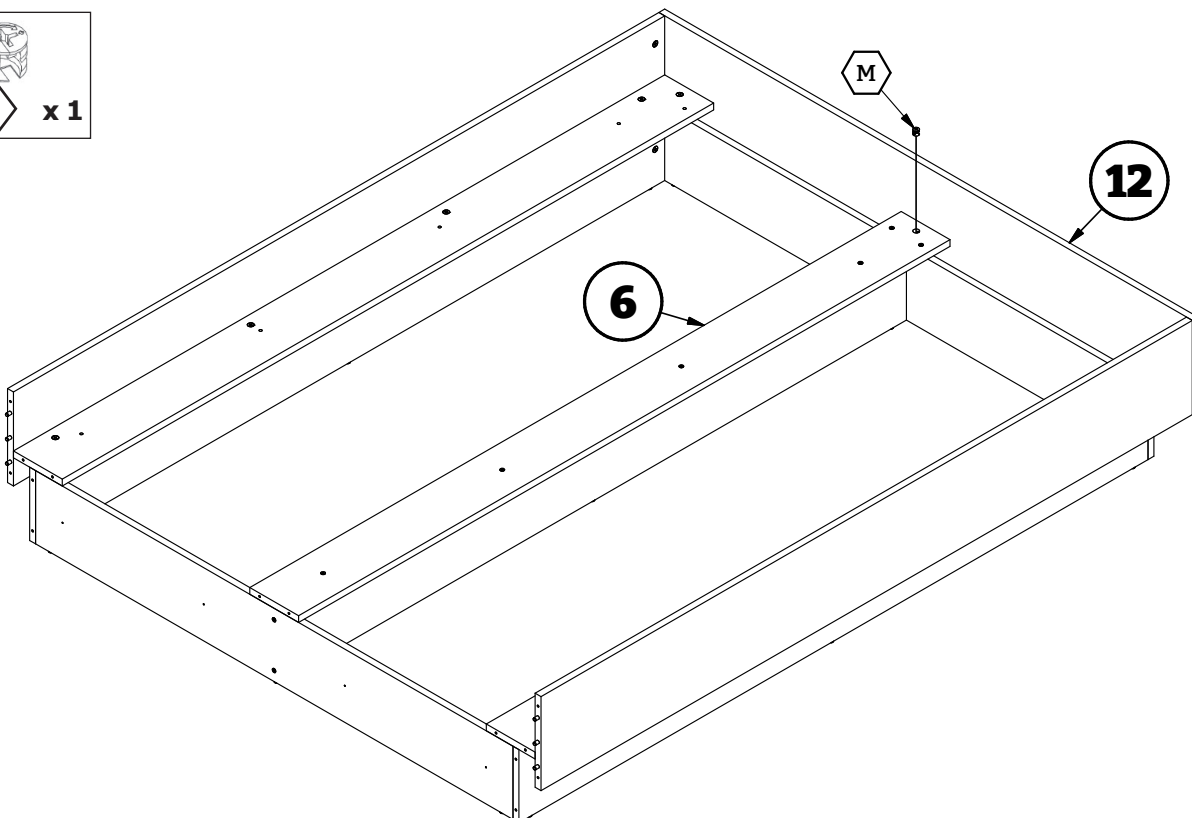
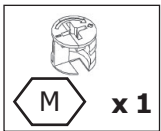




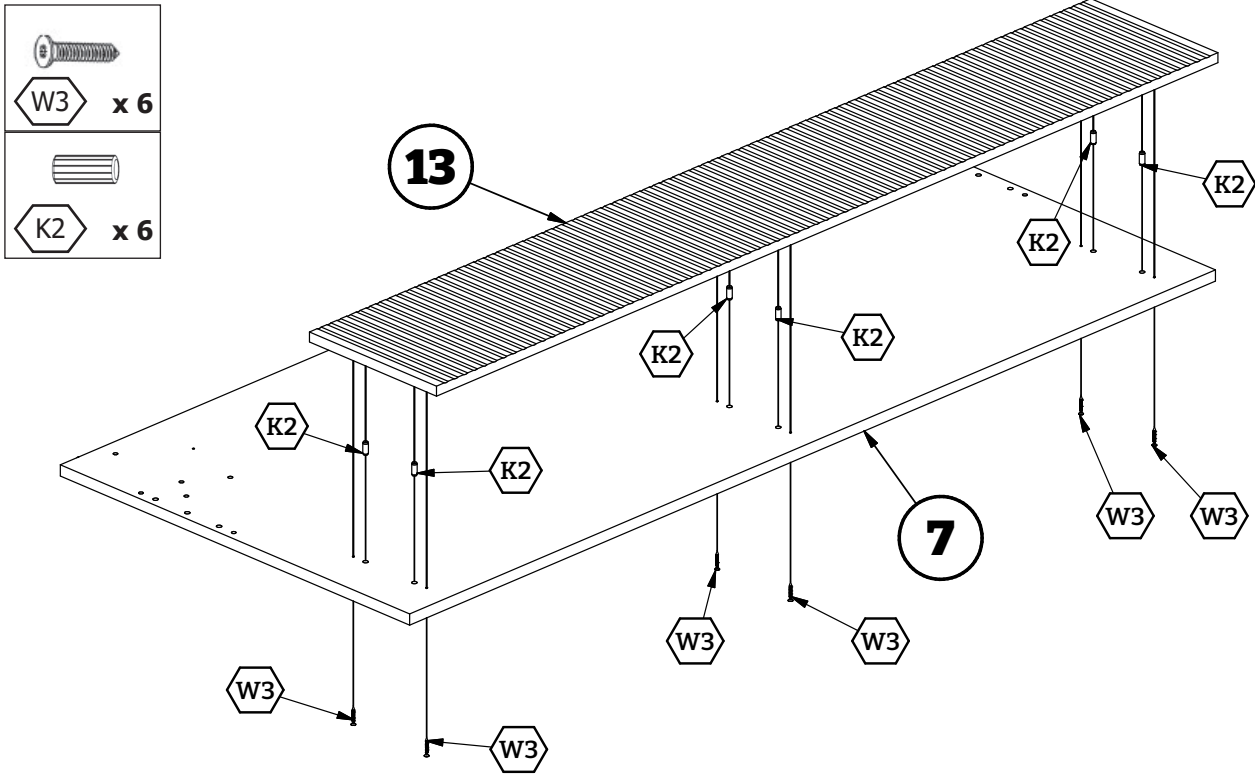
20



21



22



23

