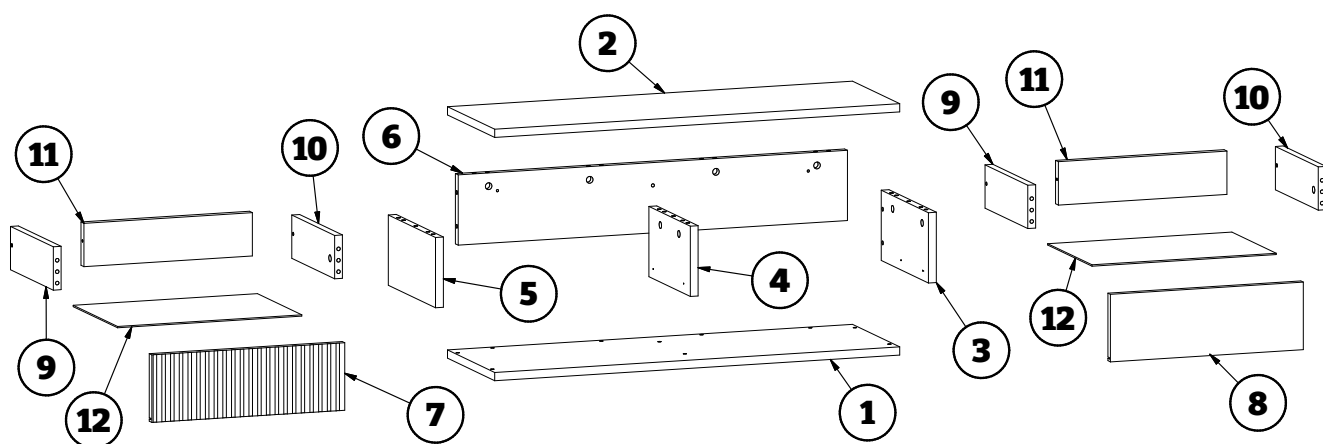
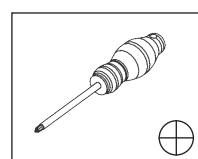
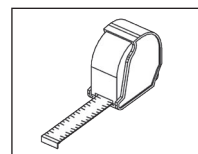
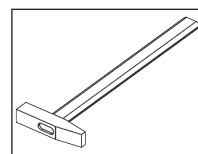
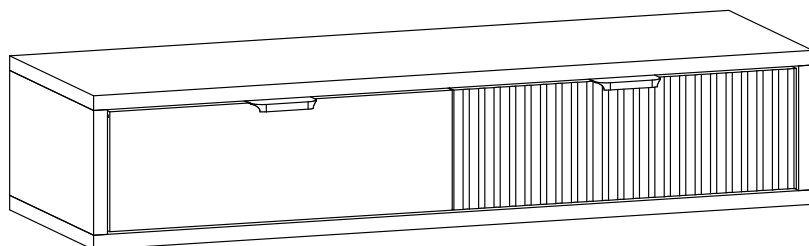


WAVE TOALETKA 2S

(932x300x190mm)



① **x1** 930x298x18mm

② **x1** 932x300x18mm

③ **x1** 154x298x18mm

④ **x1** 154x261x18mm

⑤ **x1** 154x298x18mm

⑥ **x1** 154x892x18mm

⑦ **x1** 148x443x16mm



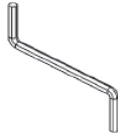

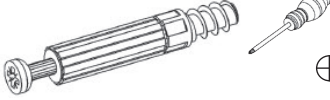
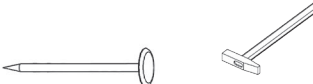
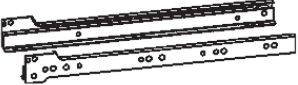


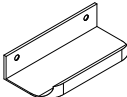


⑧ **x1** 148x443x16mm

⑨ **x2** 250x95x18mm

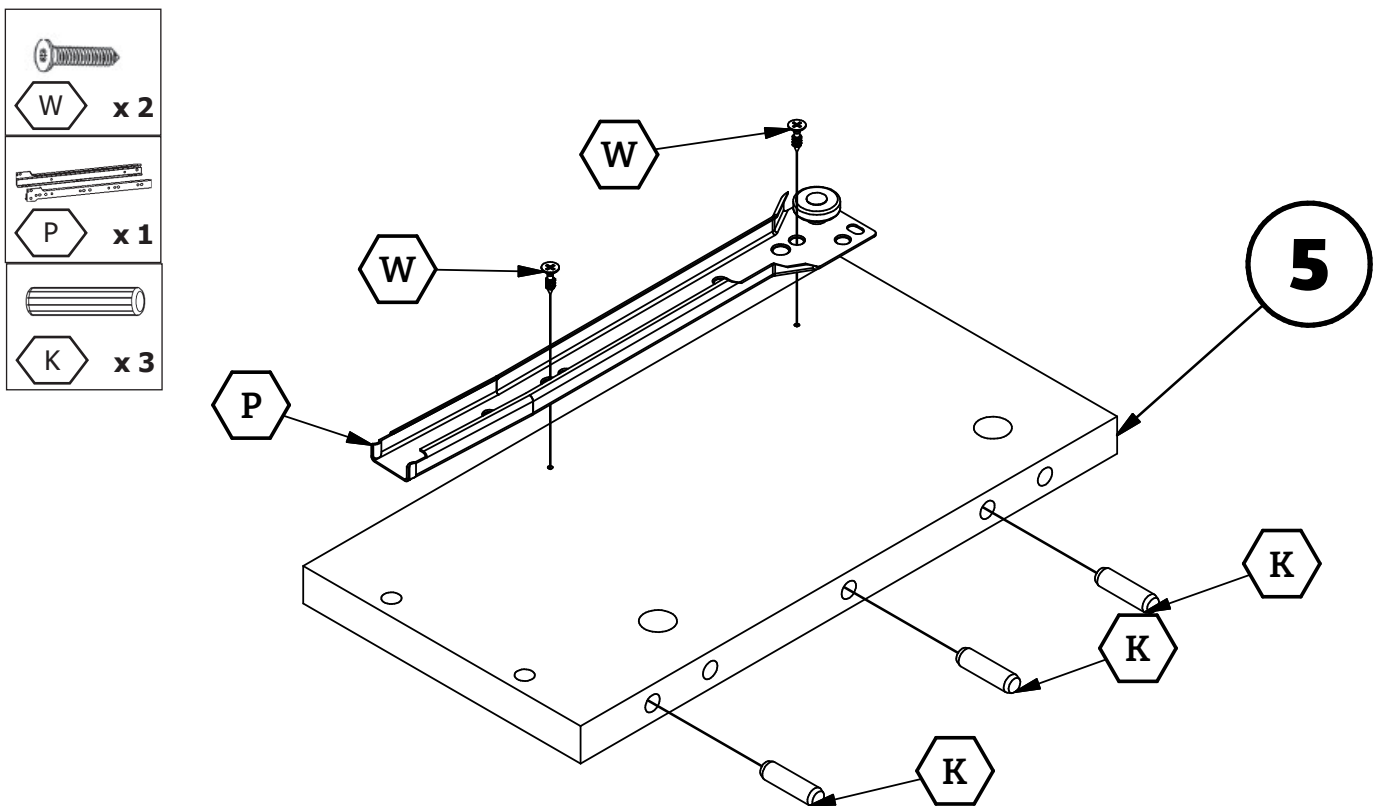
⑩ **x2** 250x95x18mm

⑪ **x2** 377x95x18mm

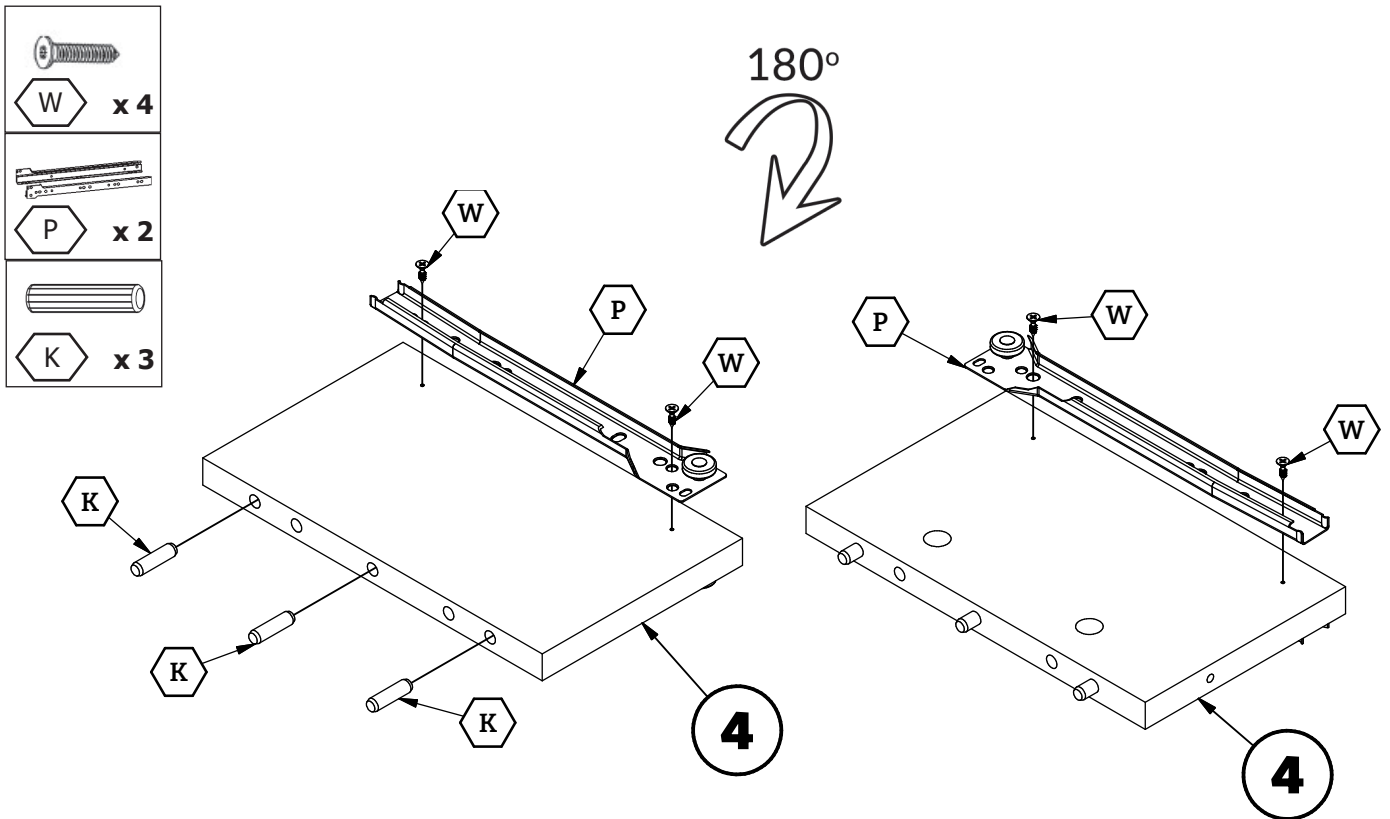
⑫ **x2** 410x257x3mm

 <p>K</p> <p>x 25 $\Phi 8 \times 35 \text{mm}$</p>	 <p>U1</p> <p>x 4 $\Phi 3 \times 12 \text{mm}$</p>	 <p>I</p> <p>x 1</p>
 <p>A</p> <p>x 15 7×50</p>	 <p>T</p> <p>x 14</p>	 <p>G</p> <p>x 20</p>
 <p>P</p> <p>x 2</p>	 <p>M</p> <p>x 14</p>	 <p>M2</p> <p>x 4</p>
 <p>U</p> <p>x 2</p>	 <p>W</p> <p>x 16 $\Phi 3,5 \times 16 \text{mm}$</p>	 <p>A2</p> <p>x 10</p>

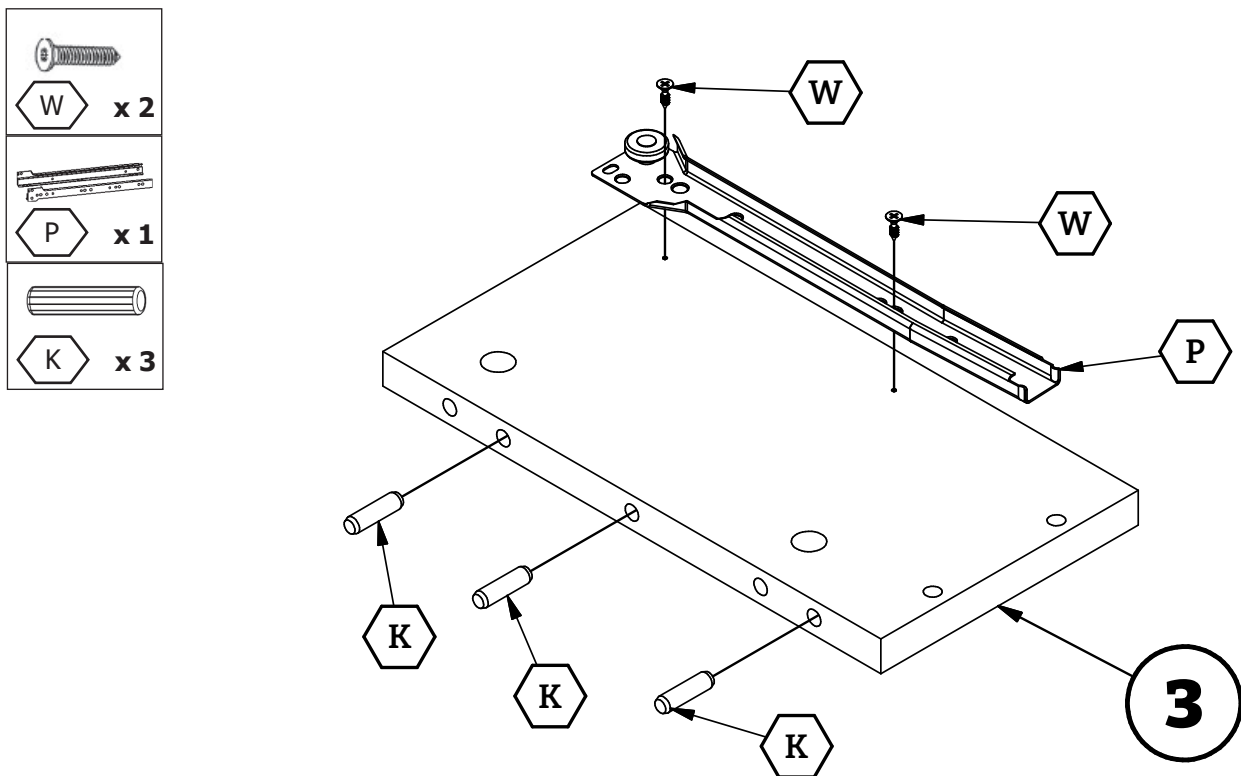
1



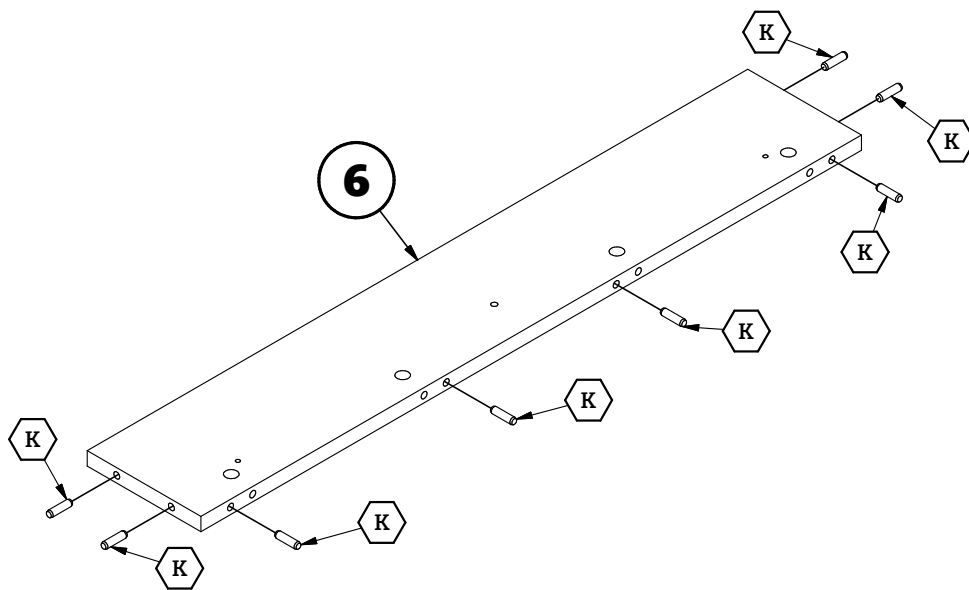
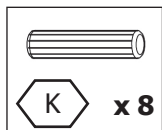
2



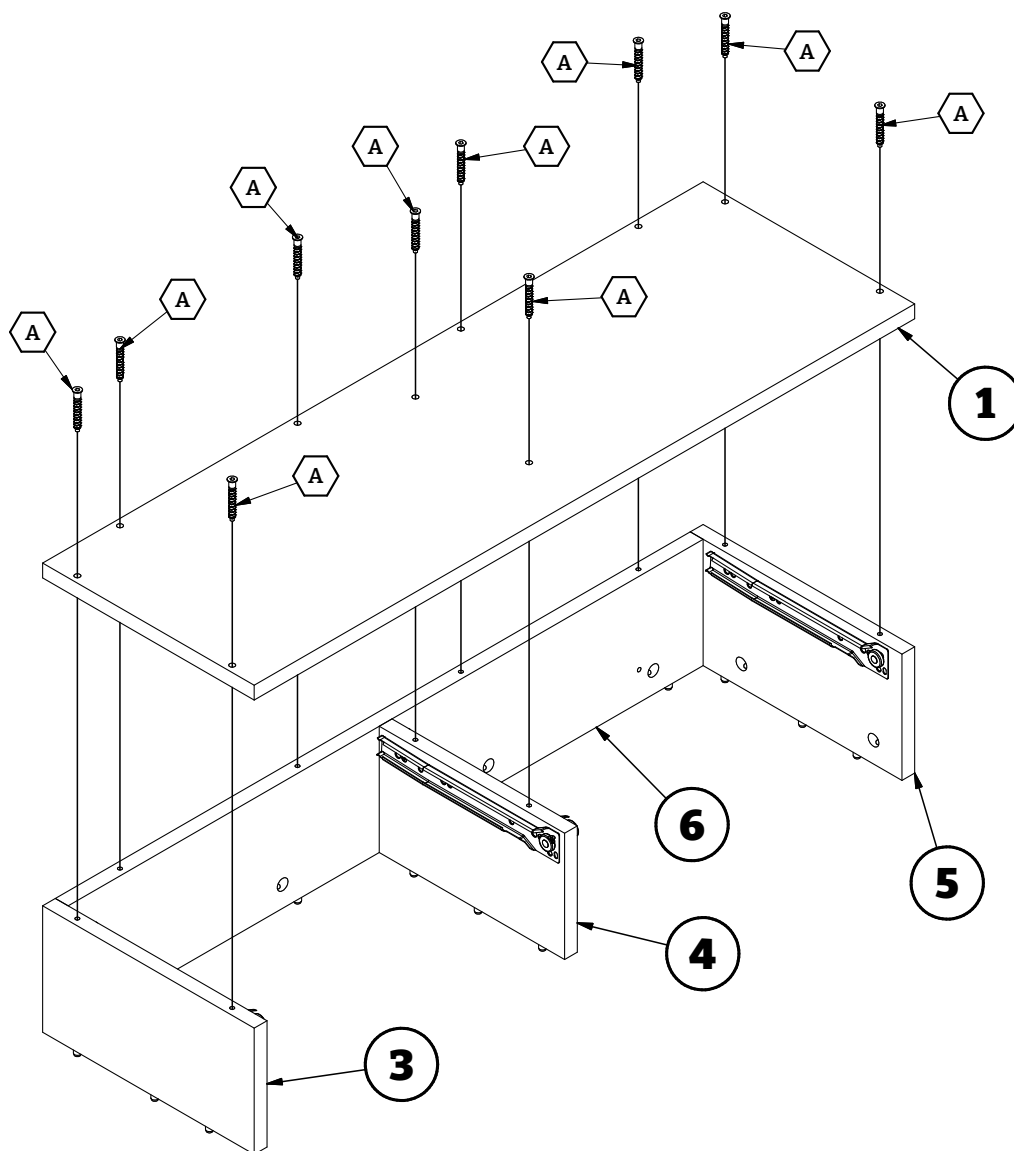
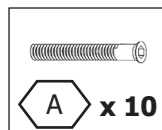
3



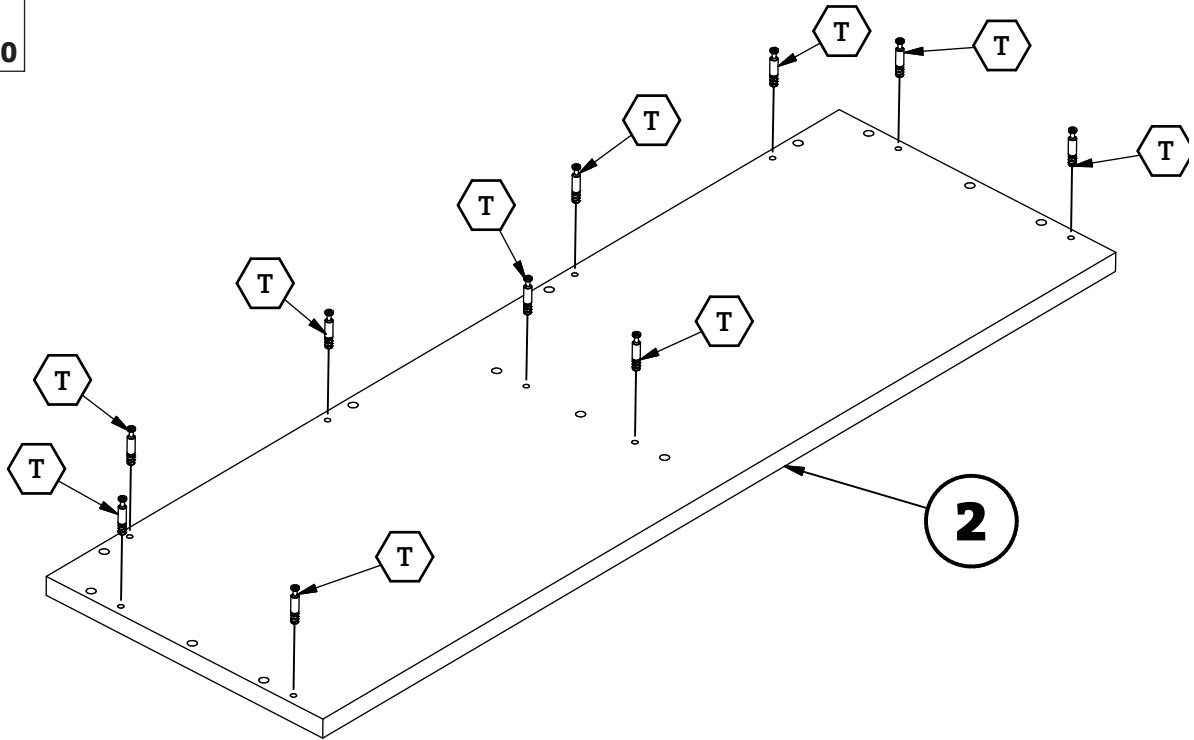
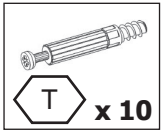
4



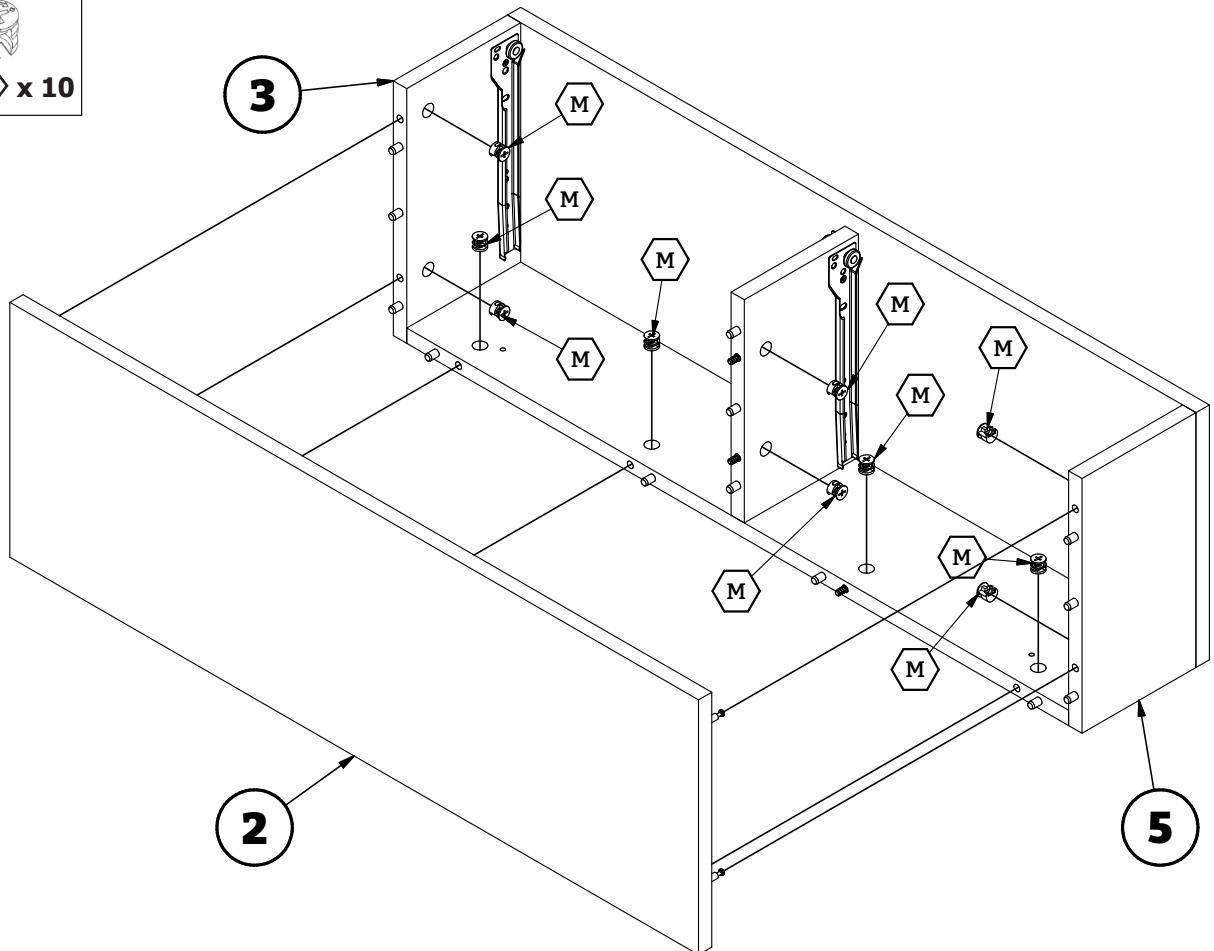
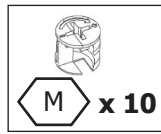
5

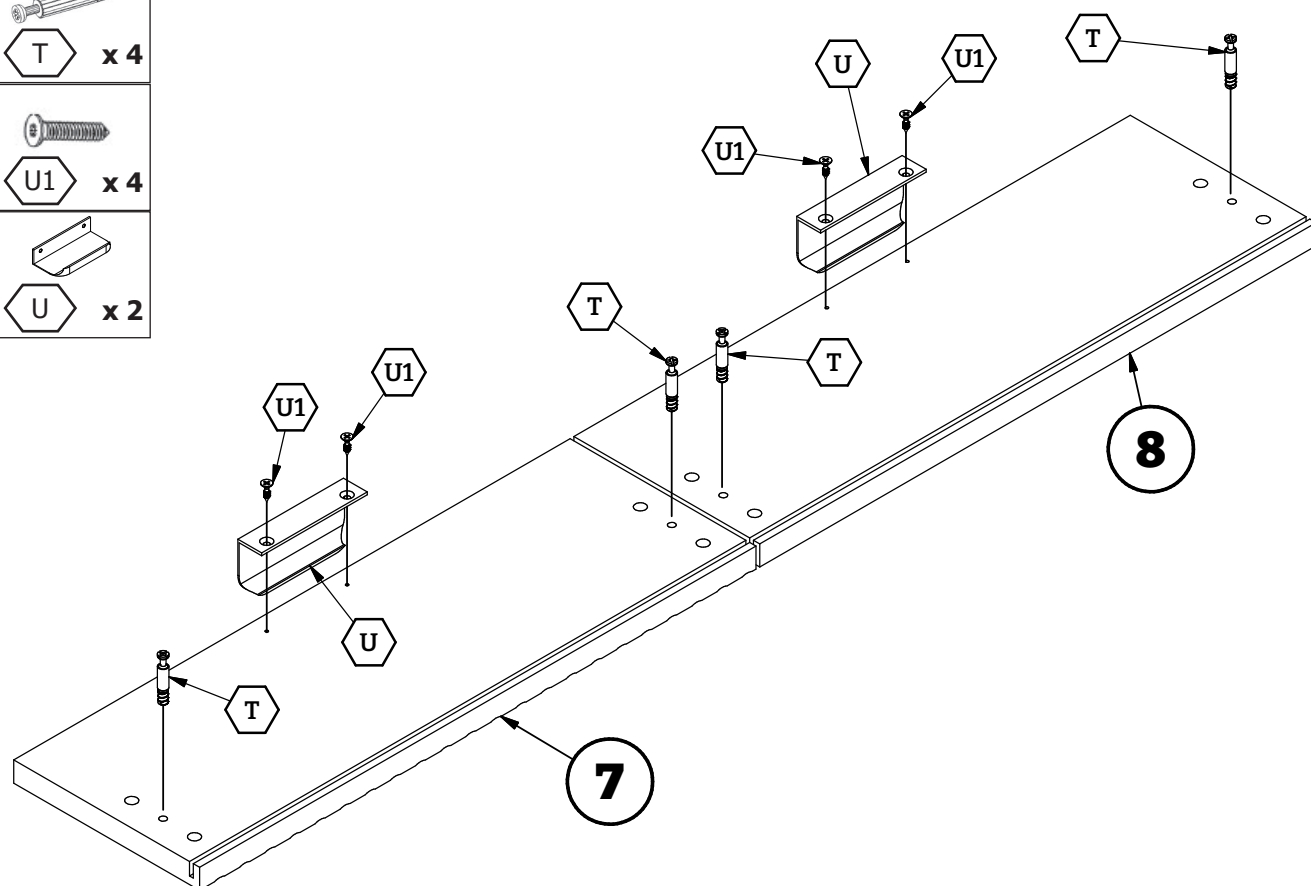
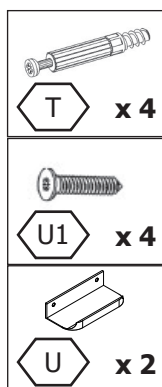
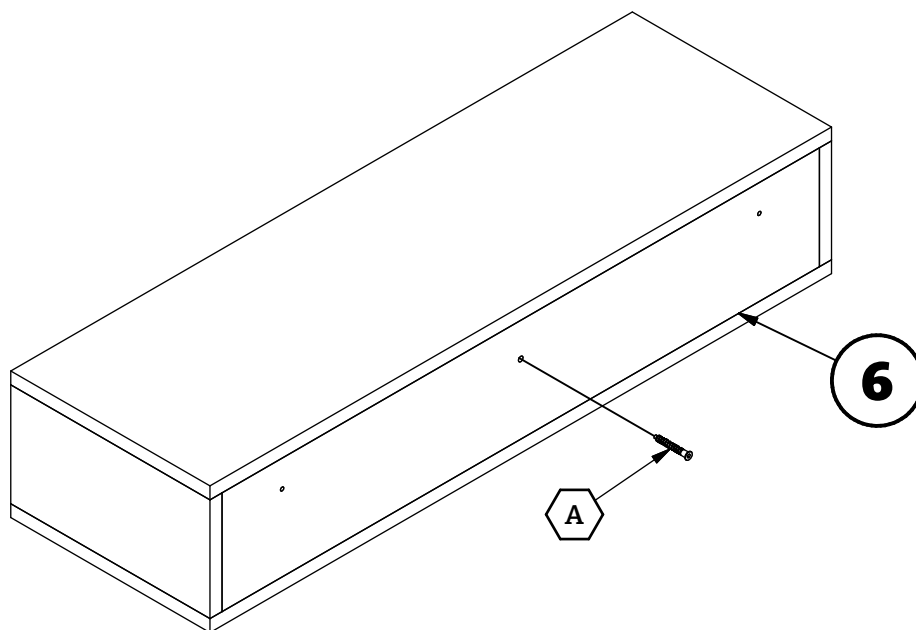
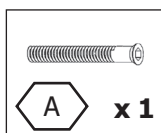


6

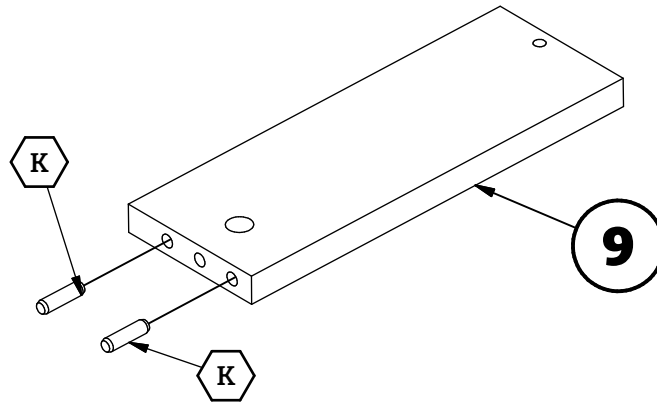
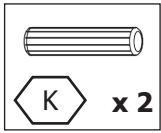


7



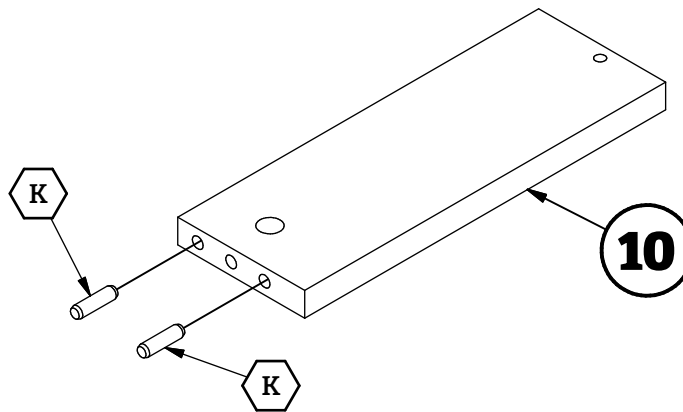
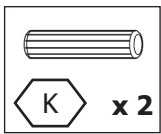


10



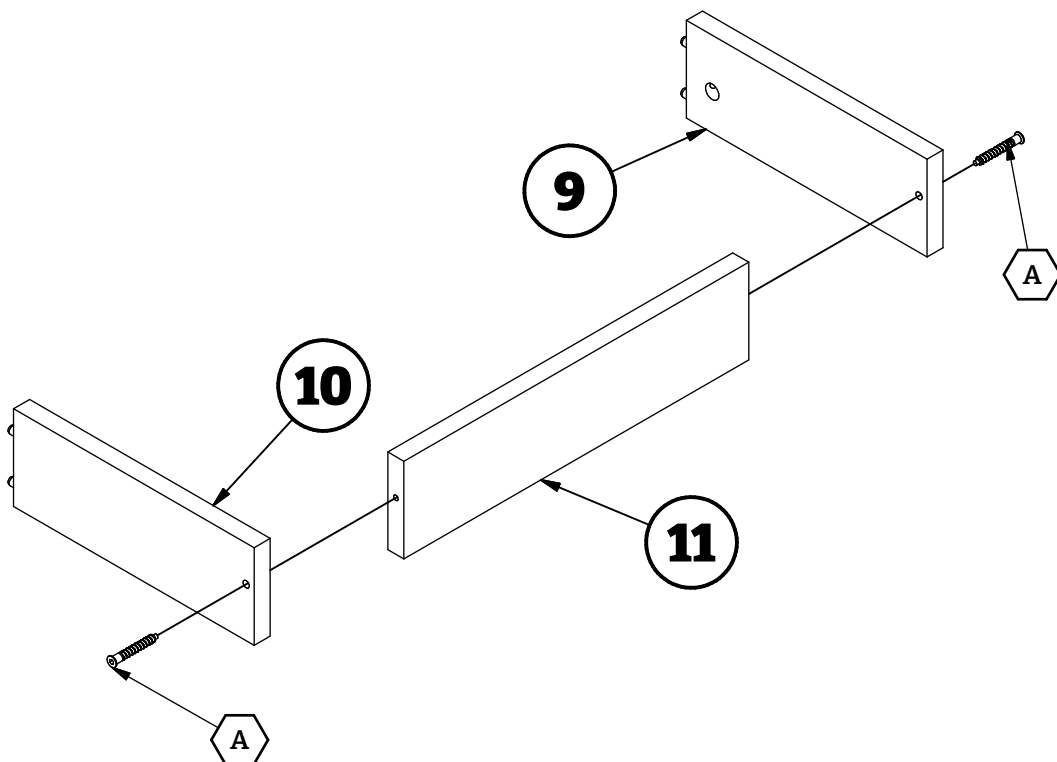
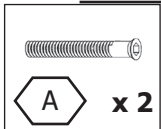
x2

11

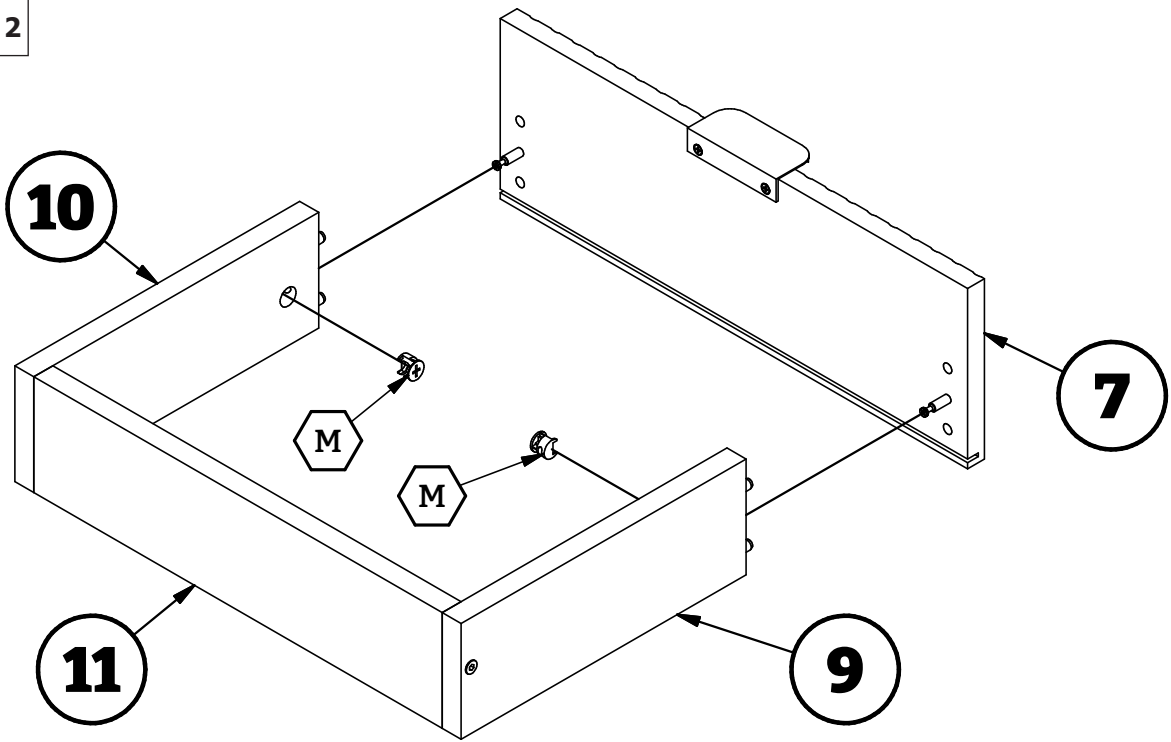
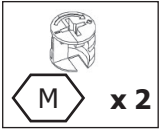


x2

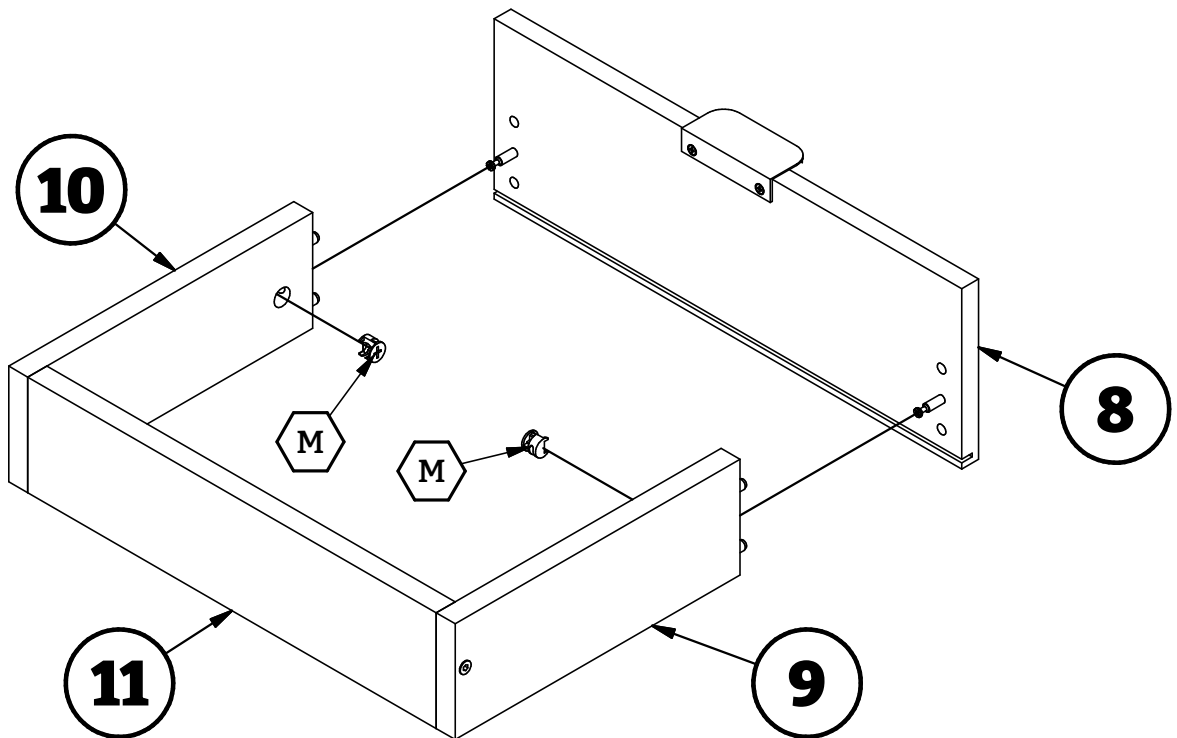
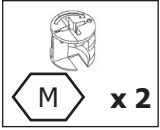
12



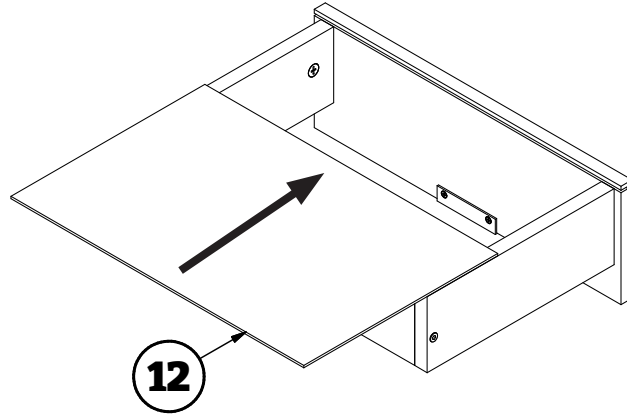
13



14

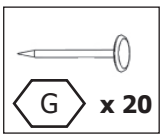


15



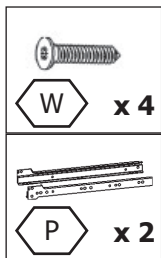
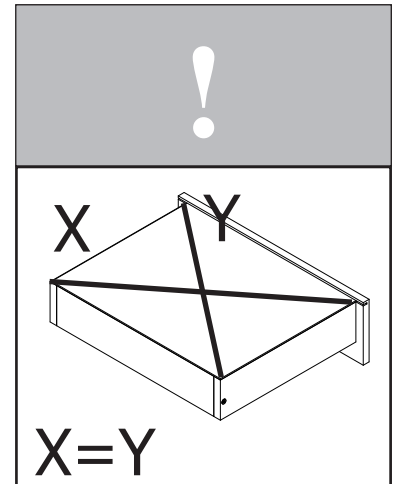
x2

16



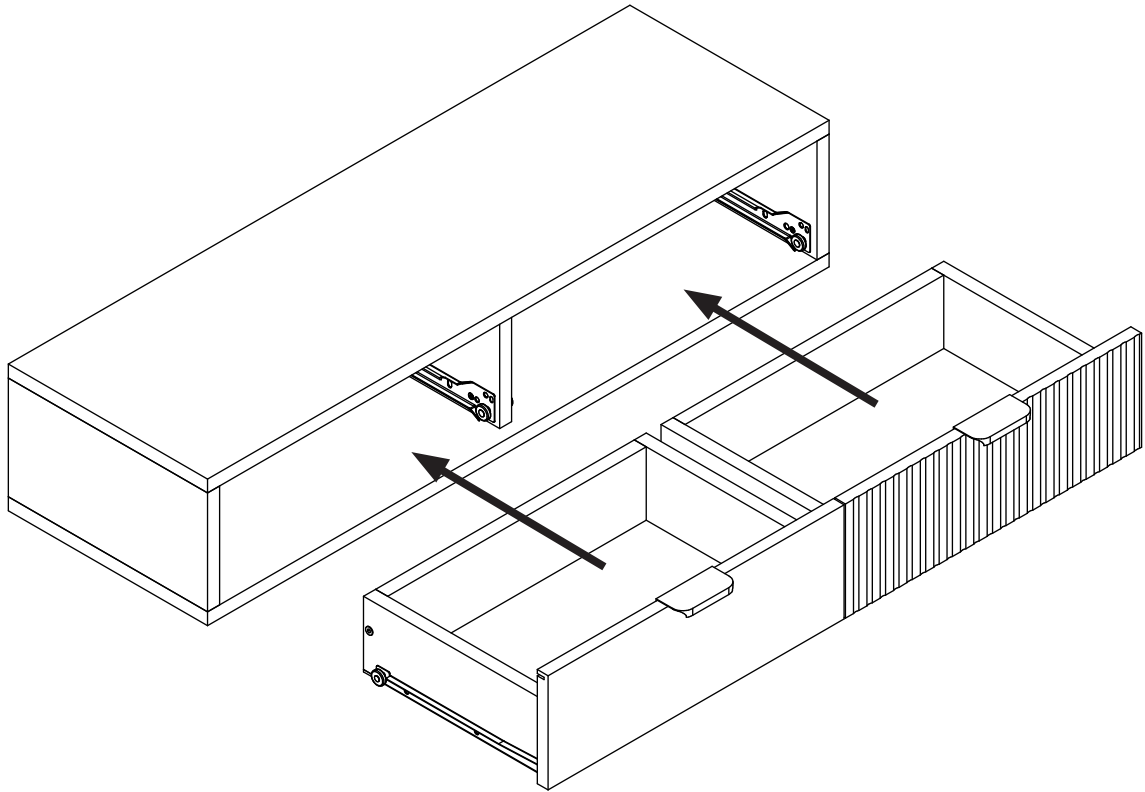
x2

17



x2

18



19

