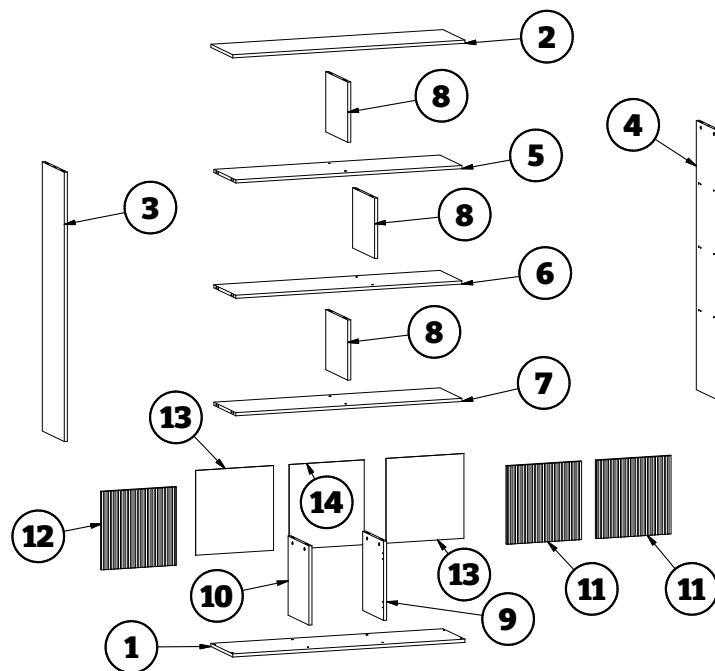
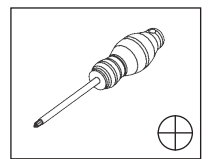
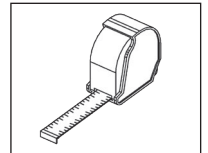
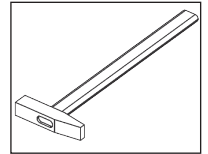
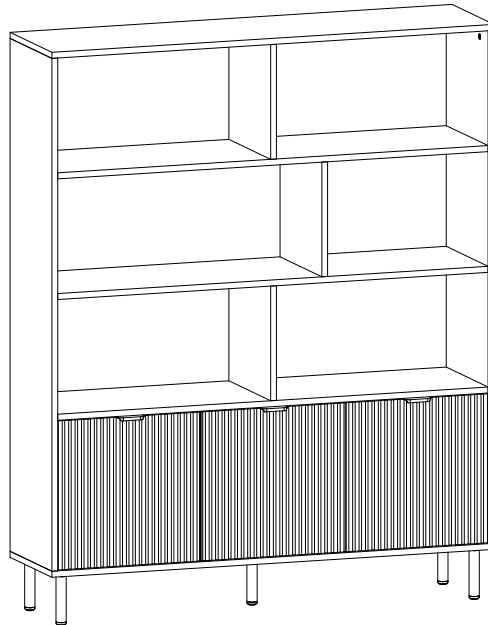


WAVE REGAŁ 3D

(1710x1377x363mm)



① **x1** 1374x358x18mm

④ **x1** 1524x358x18mm

⑦ **x1** 1337x358x18mm

⑩ **x1** 448x340x18mm

⑬ **x2** 480x462x3mm

② **x1** 1377x360x18mm

⑤ **x1** 1337x358x18mm

⑧ **x3** 341x358x18mm

⑪ **x2** 443x443x16mm


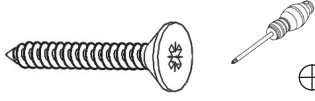
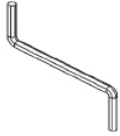
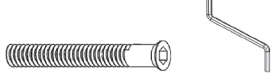
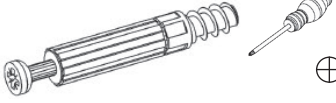
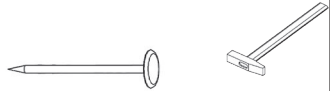


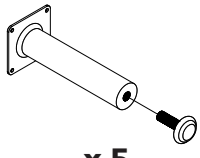
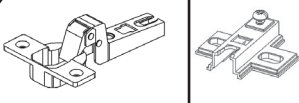
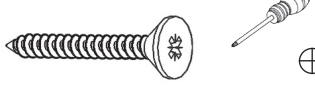

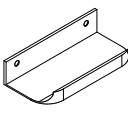

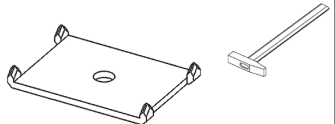
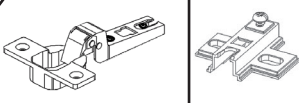
⑭ **x1** 480x445x3mm

③ **x1** 1524x358x18mm

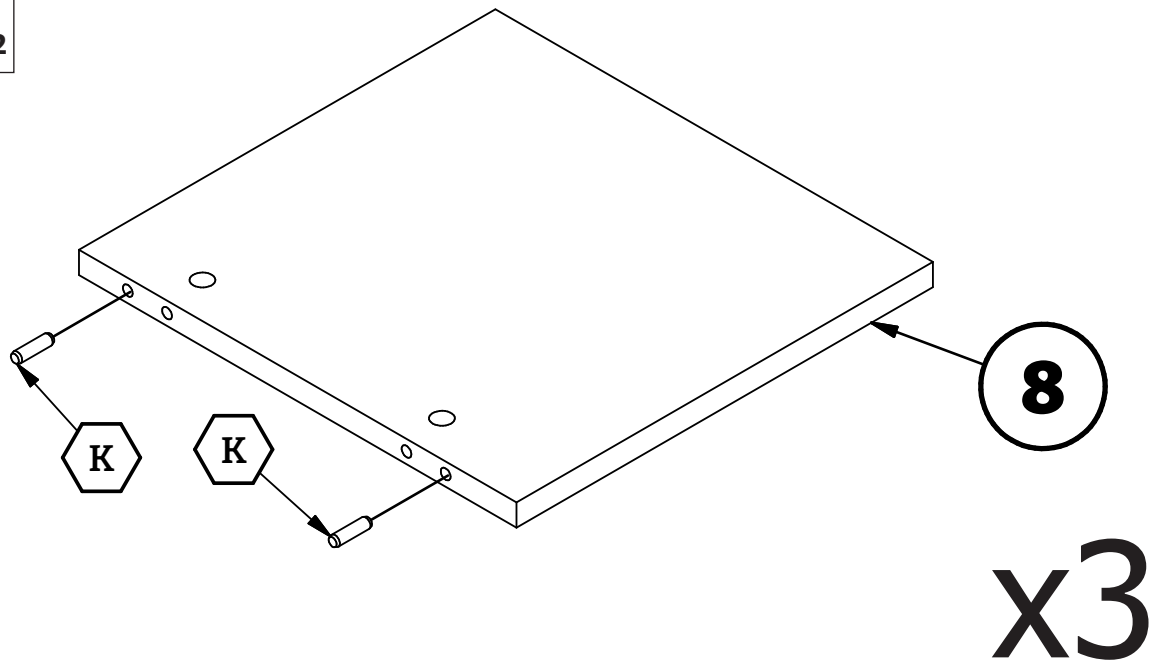
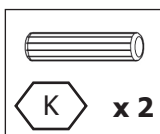
⑥ **x1** 1337x358x18mm

⑨ **x1** 448x340x18mm

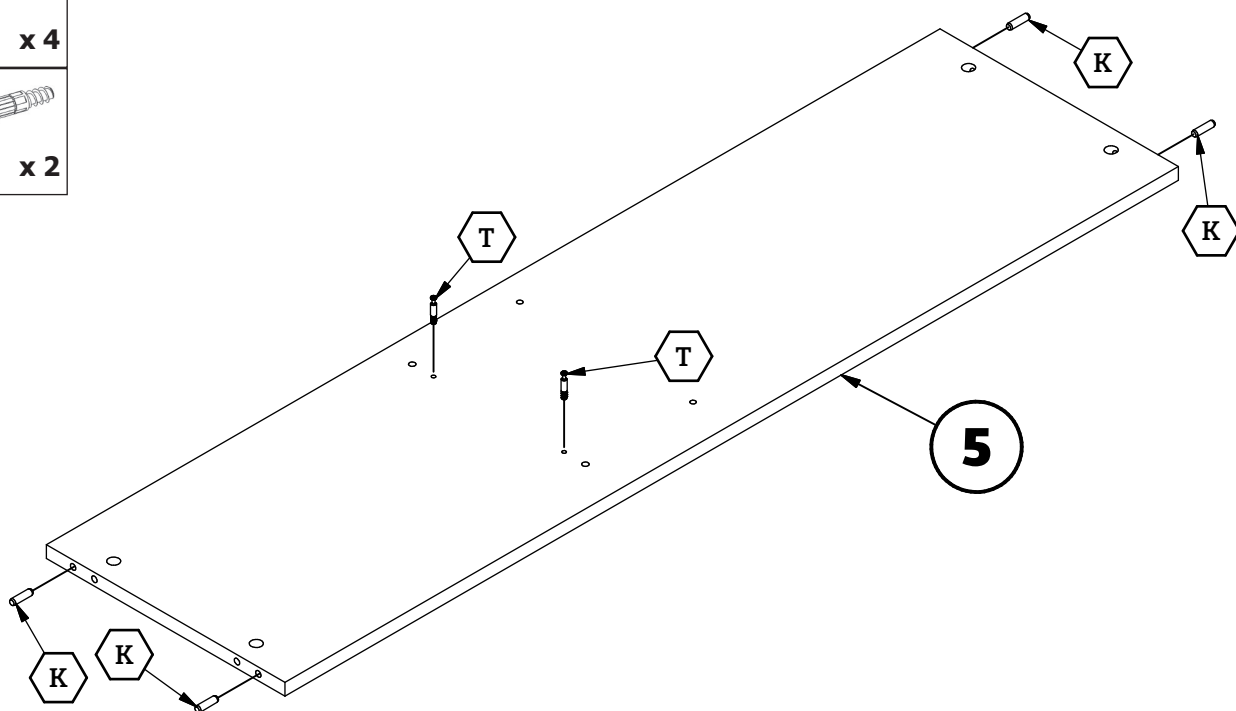
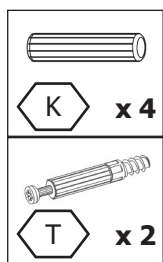
⑫ **x1** 443x443x16mm

 <p>K</p> <p>x 28 $\Phi 8 \times 35 \text{mm}$</p>	 <p>W1</p> <p>x 32 $\Phi 4 \times 16 \text{mm}$</p>	 <p>I</p> <p>x 1</p>
 <p>A</p> <p>x 14 7×50</p>	 <p>T</p> <p>x 26</p>	 <p>G</p> <p>x 50</p>
 <p>A2</p> <p>x 6</p>	 <p>M</p> <p>x 26</p>	 <p>N</p> <p>x 5</p>
 <p>C</p> <p>x 4</p>	 <p>W</p> <p>x 12 $\Phi 3,5 \times 16 \text{mm}$</p>	 <p>M2</p> <p>x 26</p>
 <p>U</p> <p>x 3</p>	 <p>U1</p> <p>x 6 $\Phi 3 \times 12 \text{mm}$</p>	 <p>G2</p> <p>x 8</p>
 <p>C2</p> <p>x 2</p>		

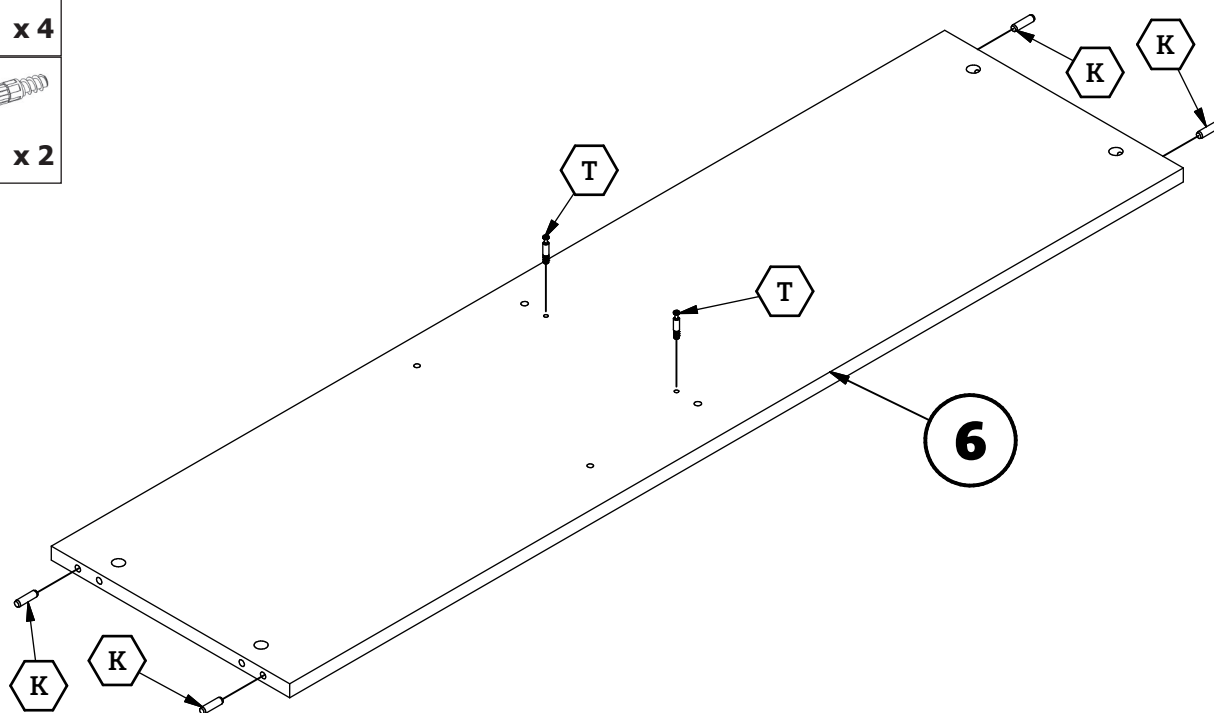
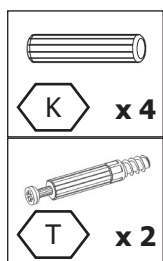
1



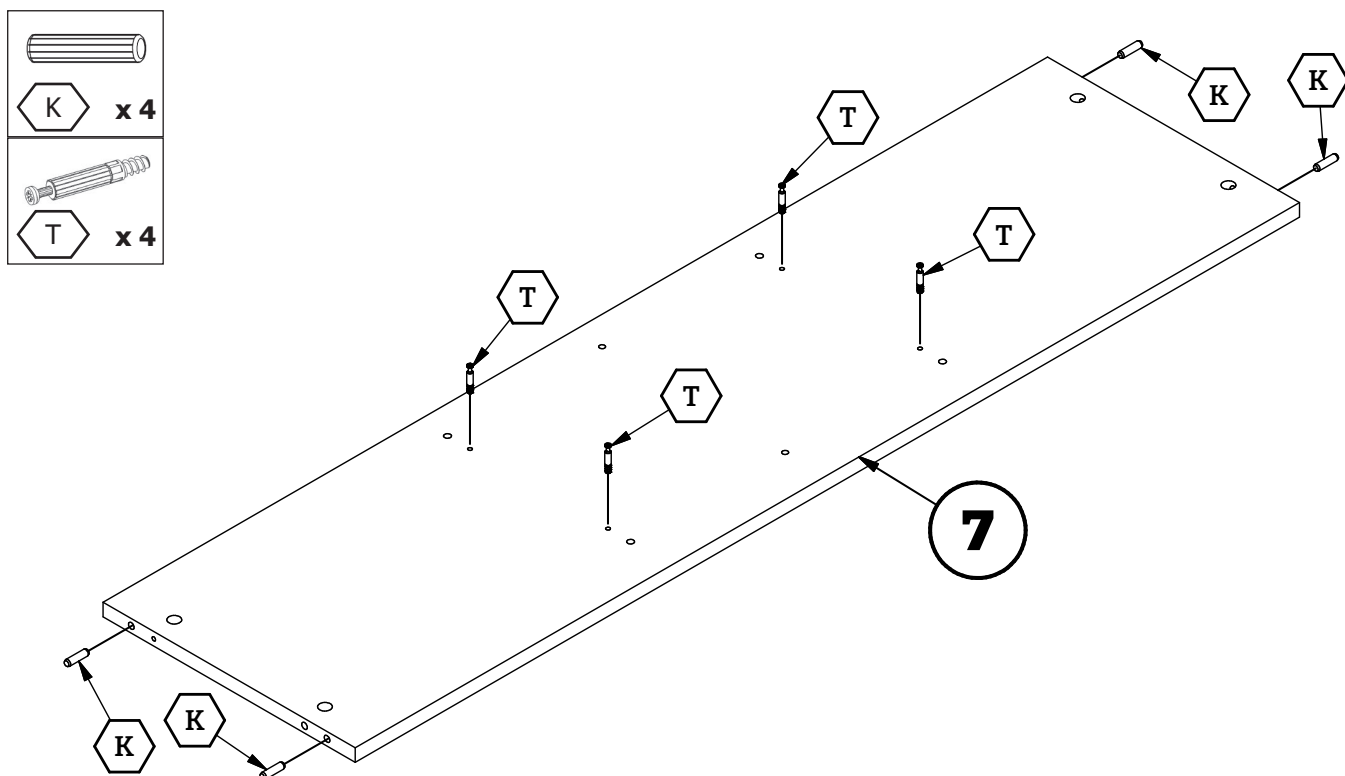
2



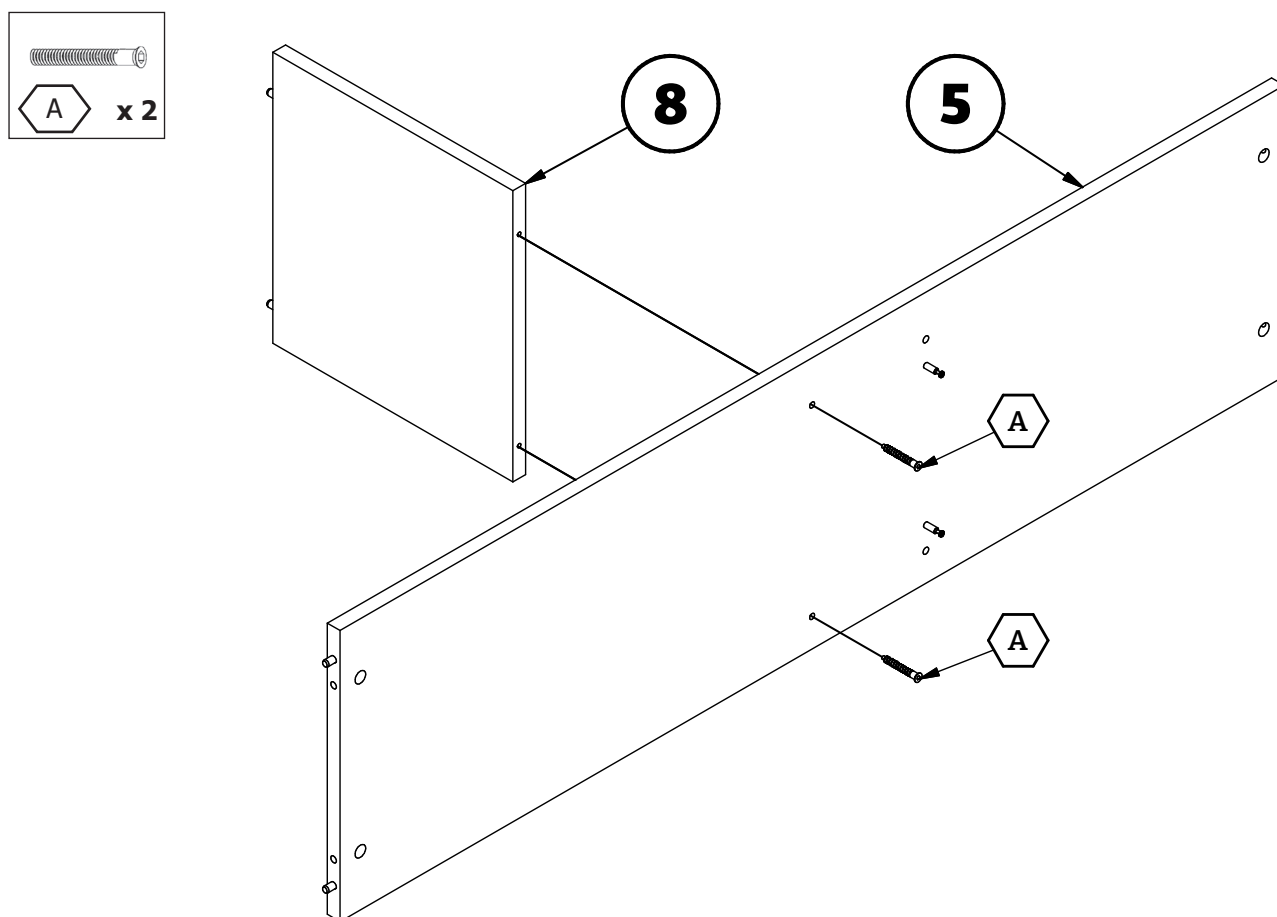
3



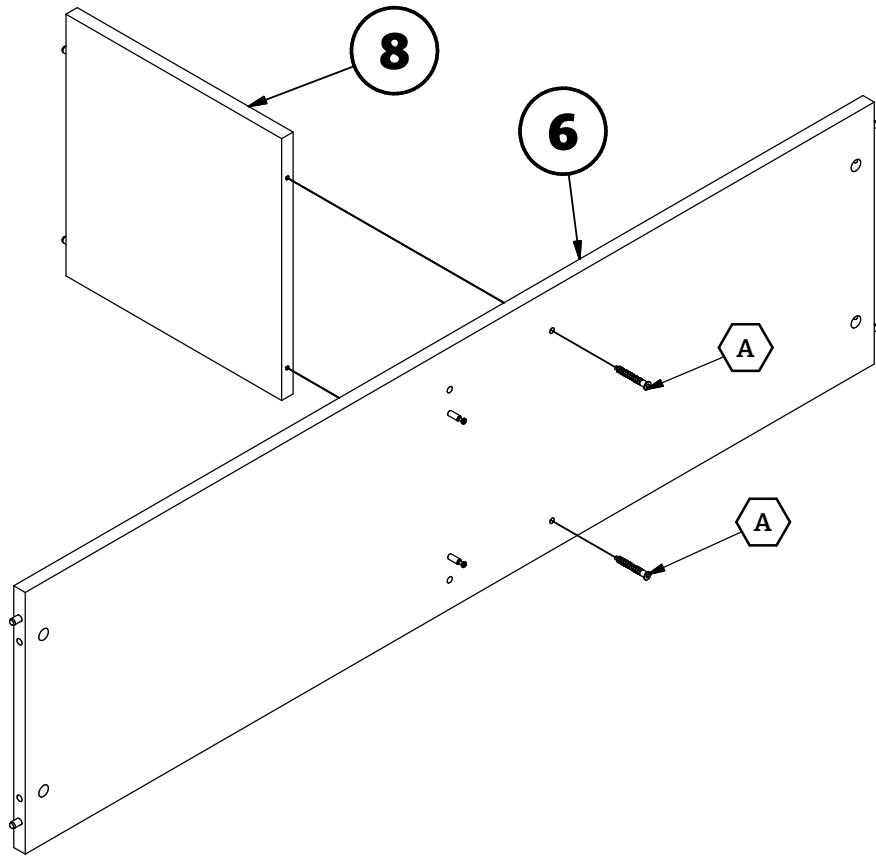
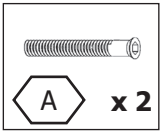
4



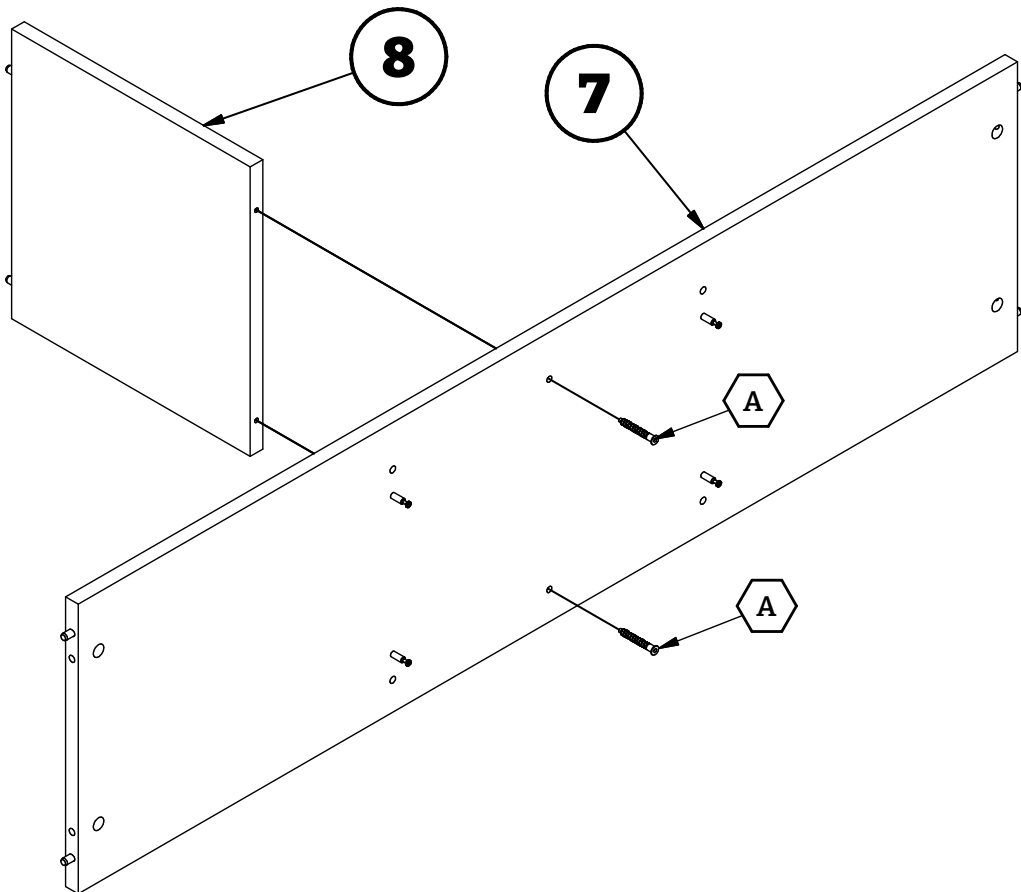
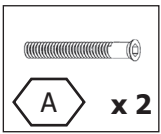
5



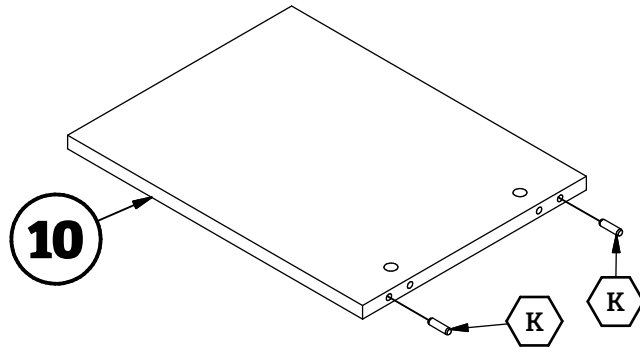
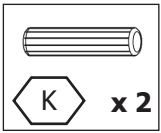
6



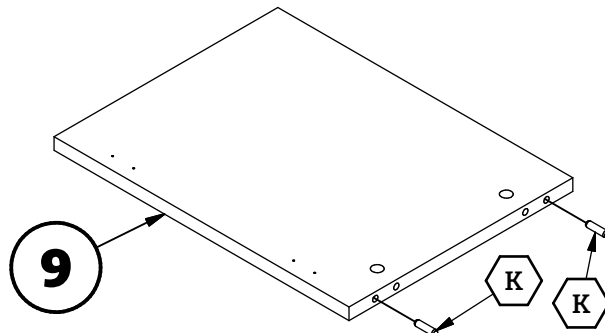
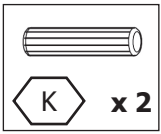
7



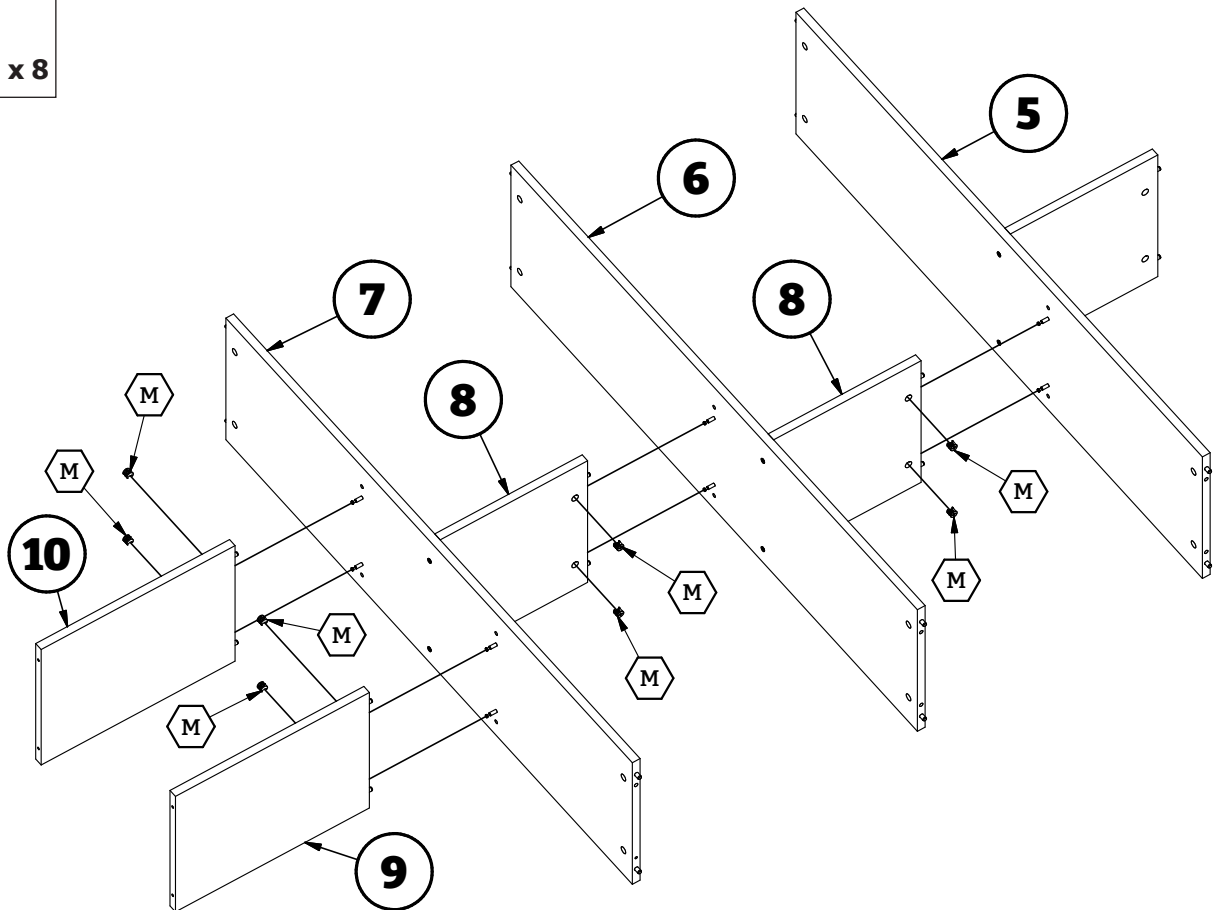
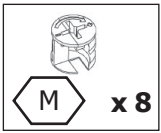
8



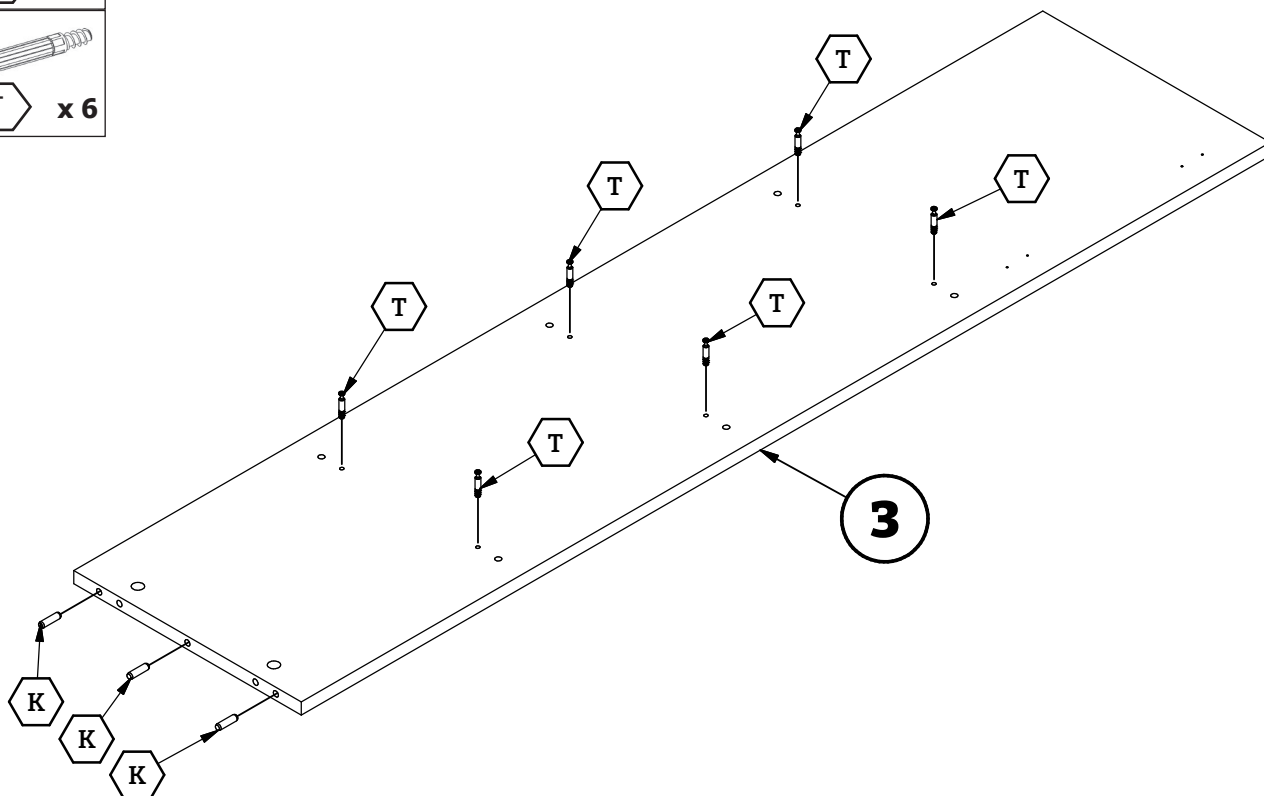
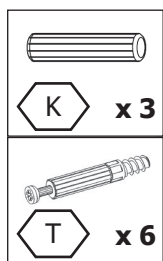
9



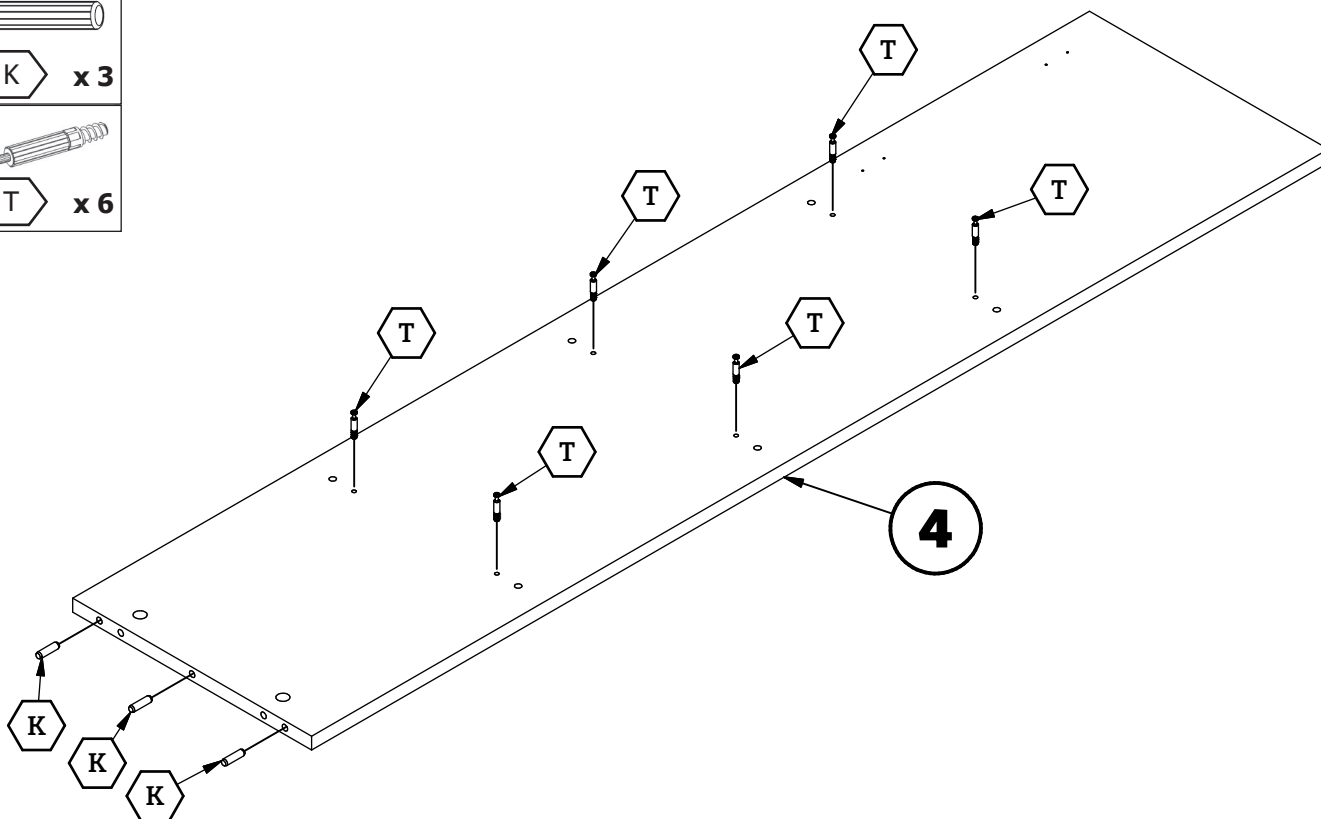
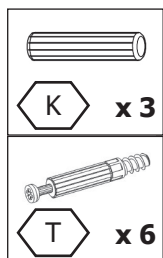
10

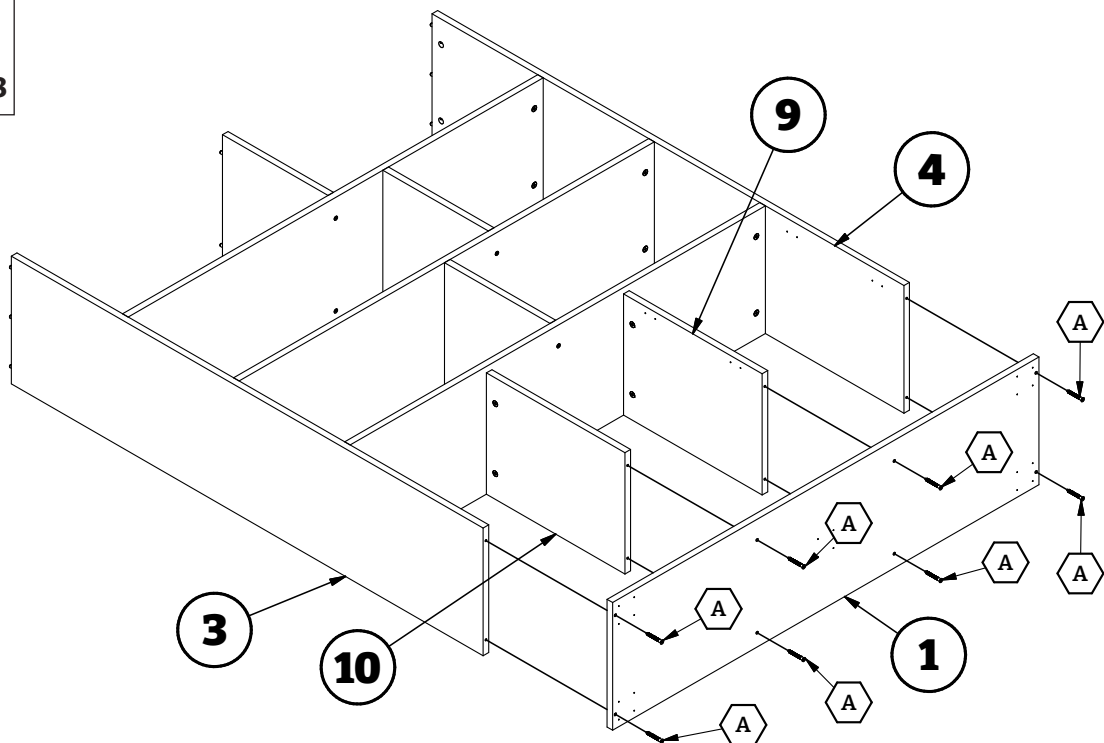
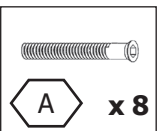
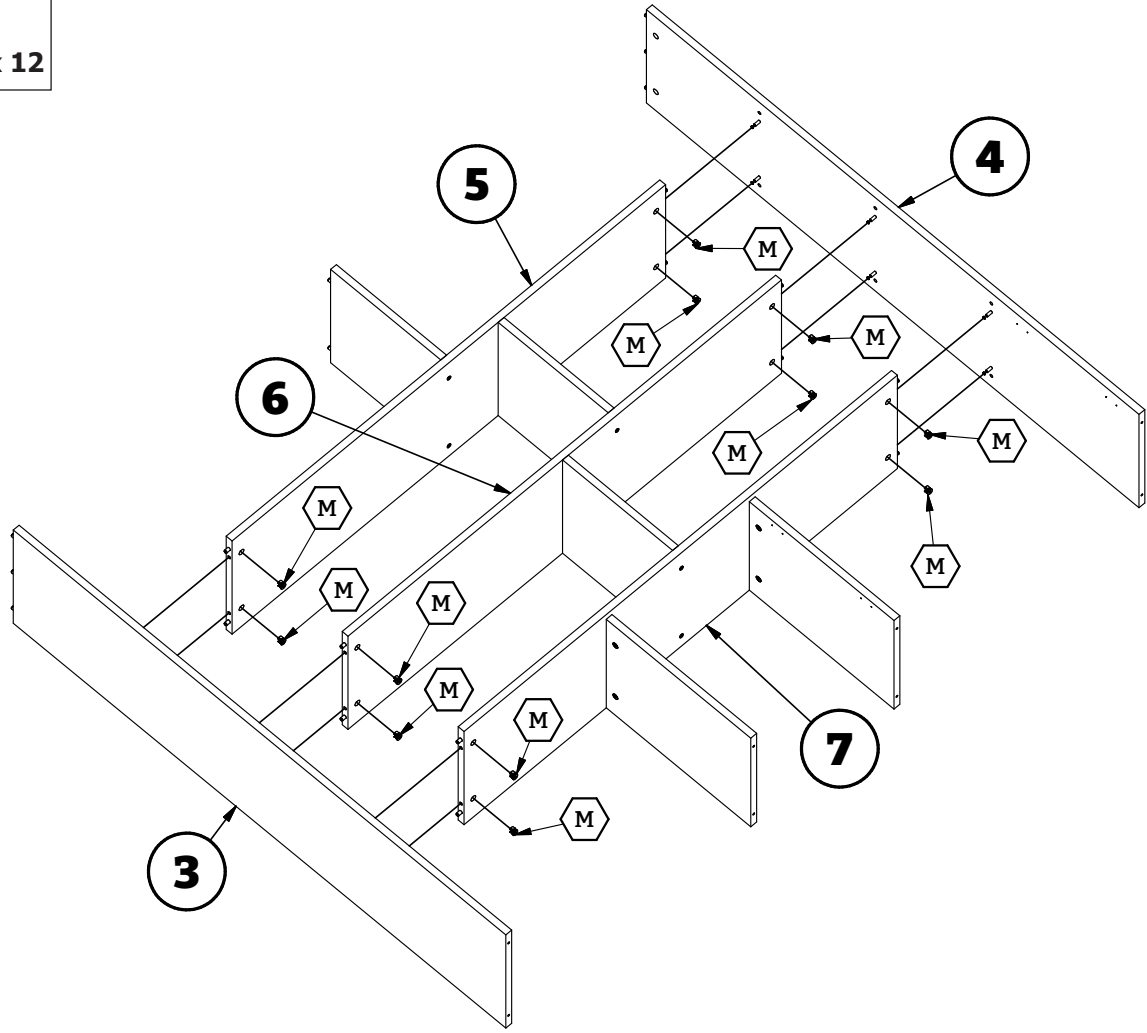
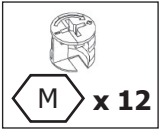


11

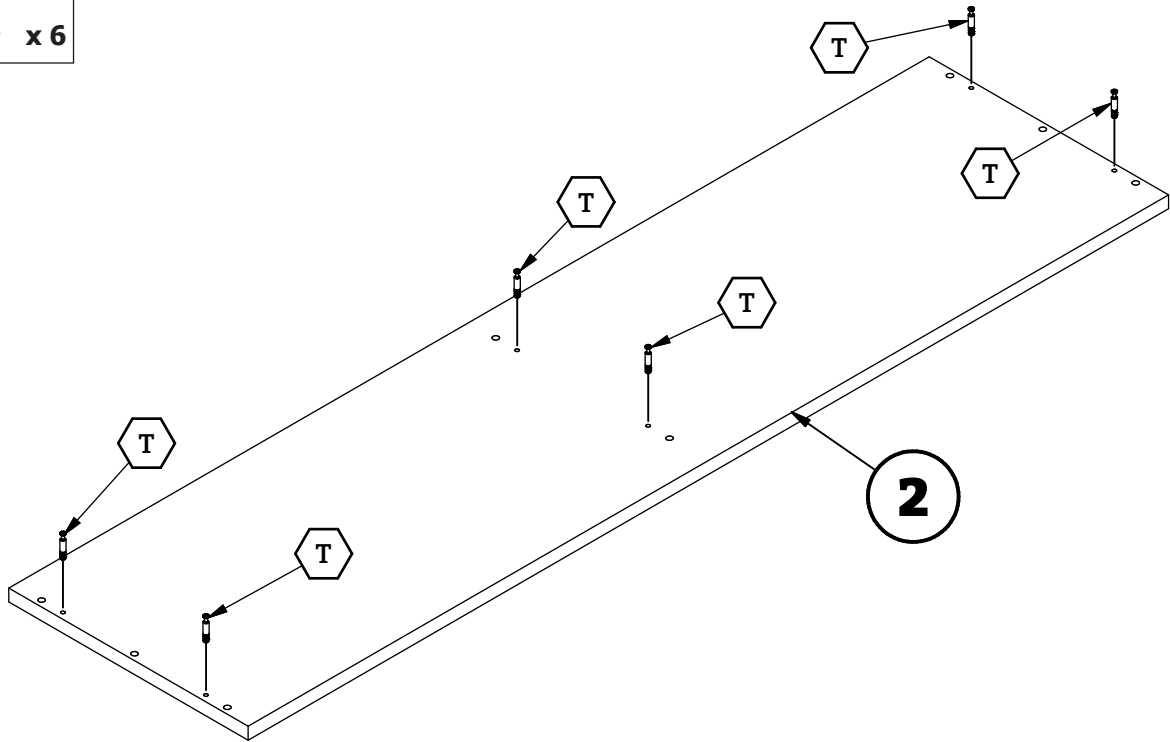
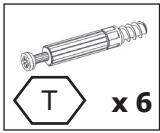


12





15



16

