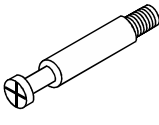

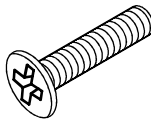
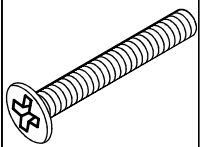

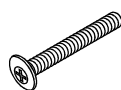
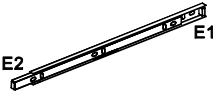



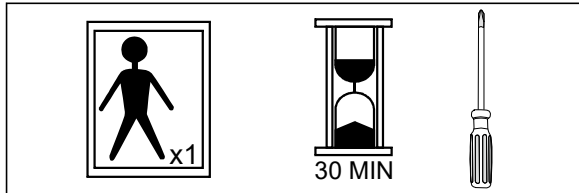
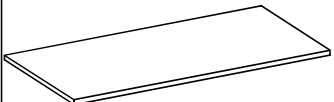
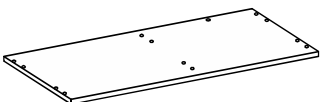
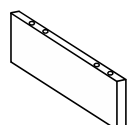
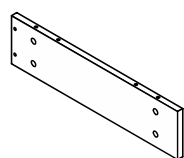
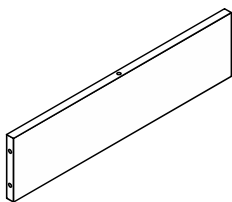
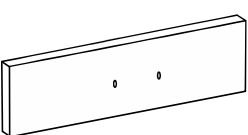
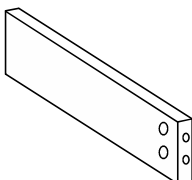
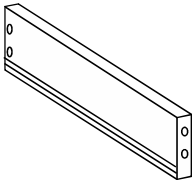
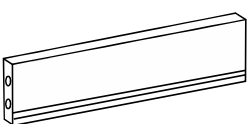
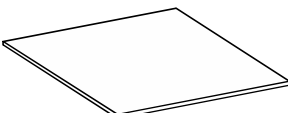
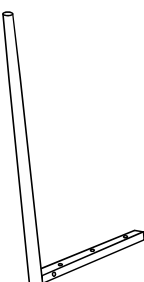



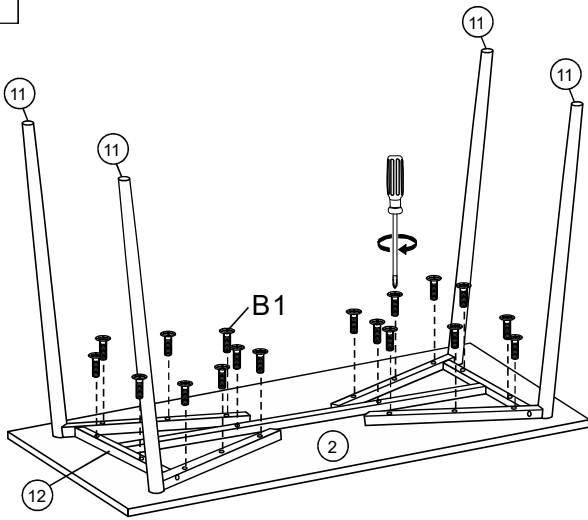


<p>A1</p>  <p>x26</p>	<p>A2</p>  <p>x26</p>	<p>B1</p>  <p>(M6X25mm)x18</p>	<p>B2</p>  <p>(M6X40mm)x4</p>
<p>C</p>  <p>(ST3.5X14mm)x8</p>	<p>D</p>  <p>(M4X18mm)x2</p>	<p>E</p>  <p>x2</p>	
<p>F</p>  <p>(8X30mm)x12</p>	<p>G</p>  <p>x1</p>	<p>H</p>  <p>x26</p>	

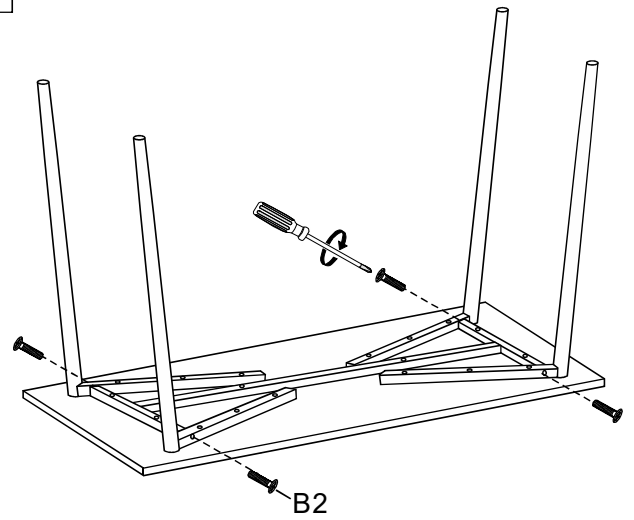


<p>①</p>  <p>x1</p>	<p>②</p>  <p>x1</p>	<p>③</p>  <p>x1</p>	<p>④</p>  <p>x2</p>
<p>⑤</p>  <p>x1</p>	<p>⑥</p>  <p>x1</p>	<p>⑦</p>  <p>x1</p>	<p>⑧</p>  <p>x1</p>
<p>⑨</p>  <p>x1</p>	<p>⑩</p>  <p>x1</p>	<p>⑪</p>  <p>x4</p>	<p>⑫</p>  <p>x1</p>

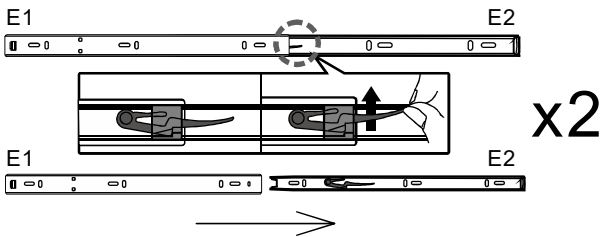
1



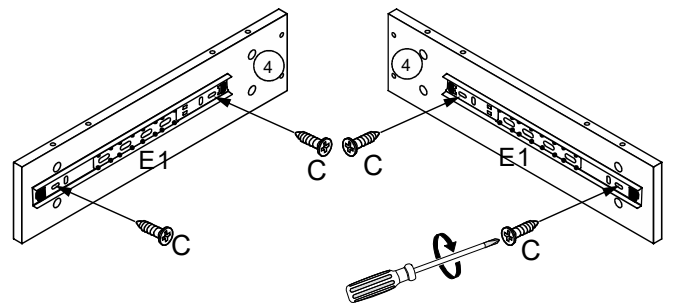
2



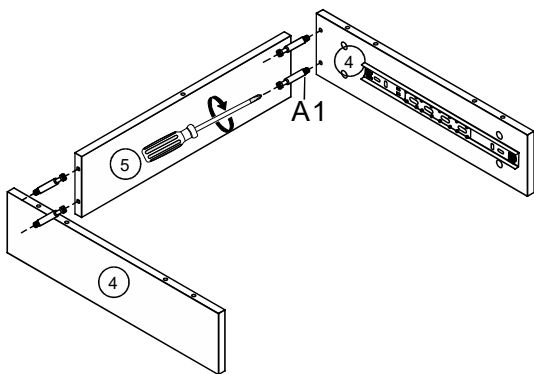
3



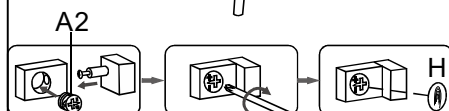
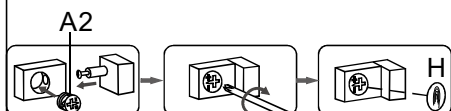
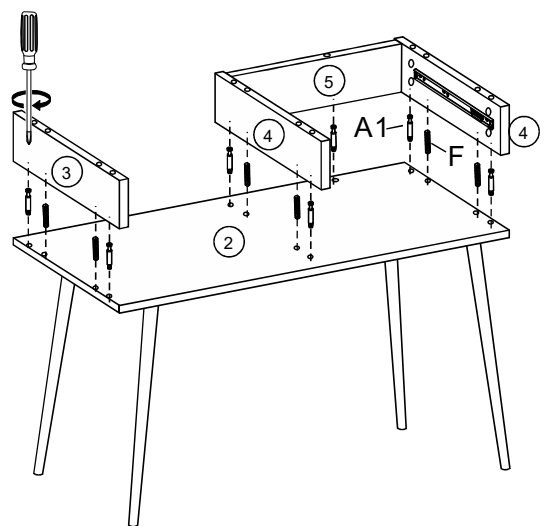
4



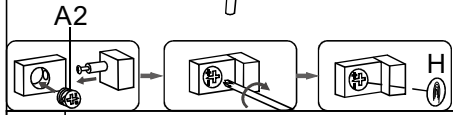
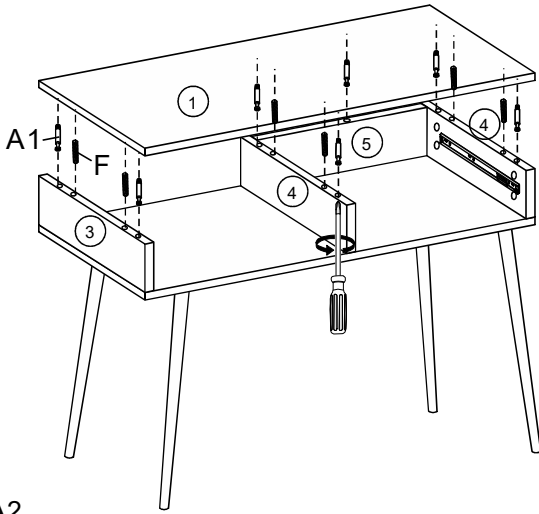
5



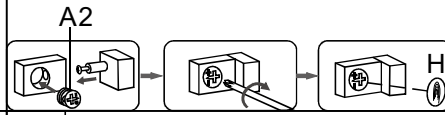
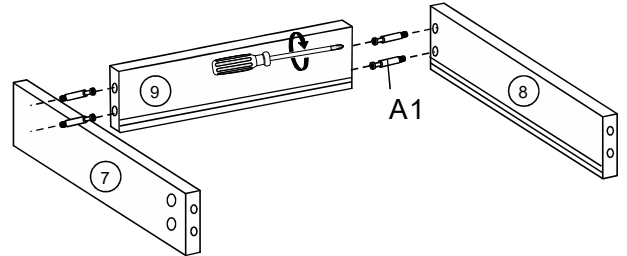
6



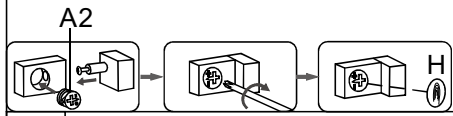
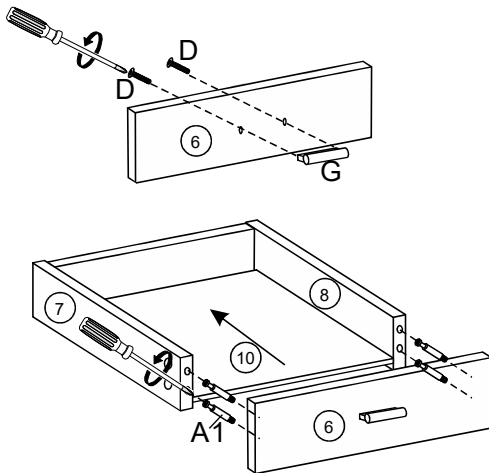
7



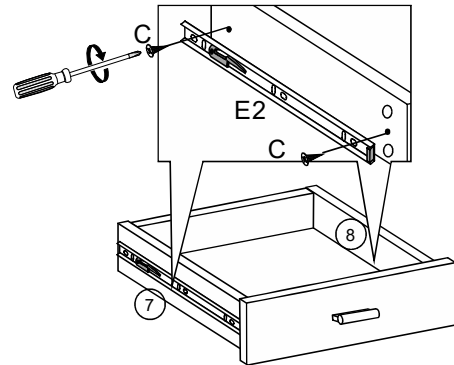
8



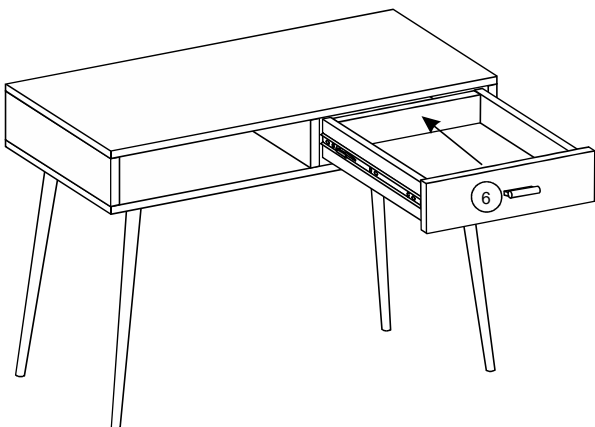
9



10



11



12

