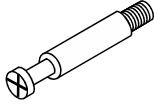

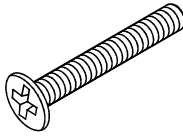
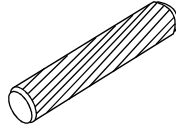
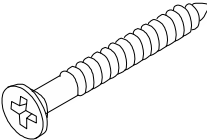
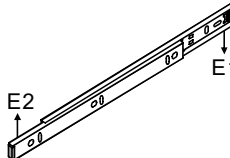
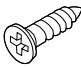
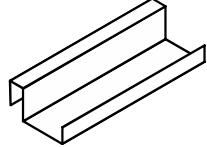
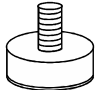


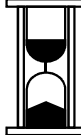

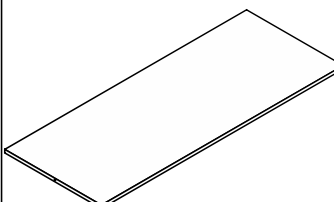
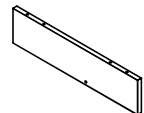
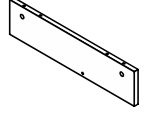
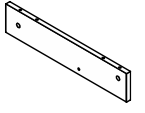
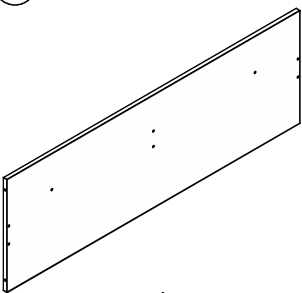
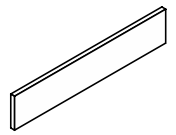
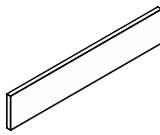
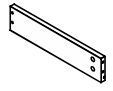
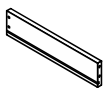
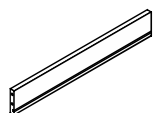
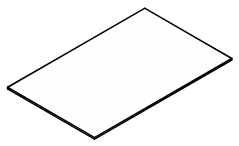
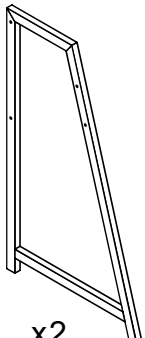
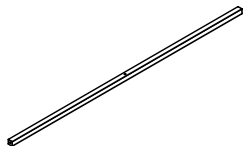
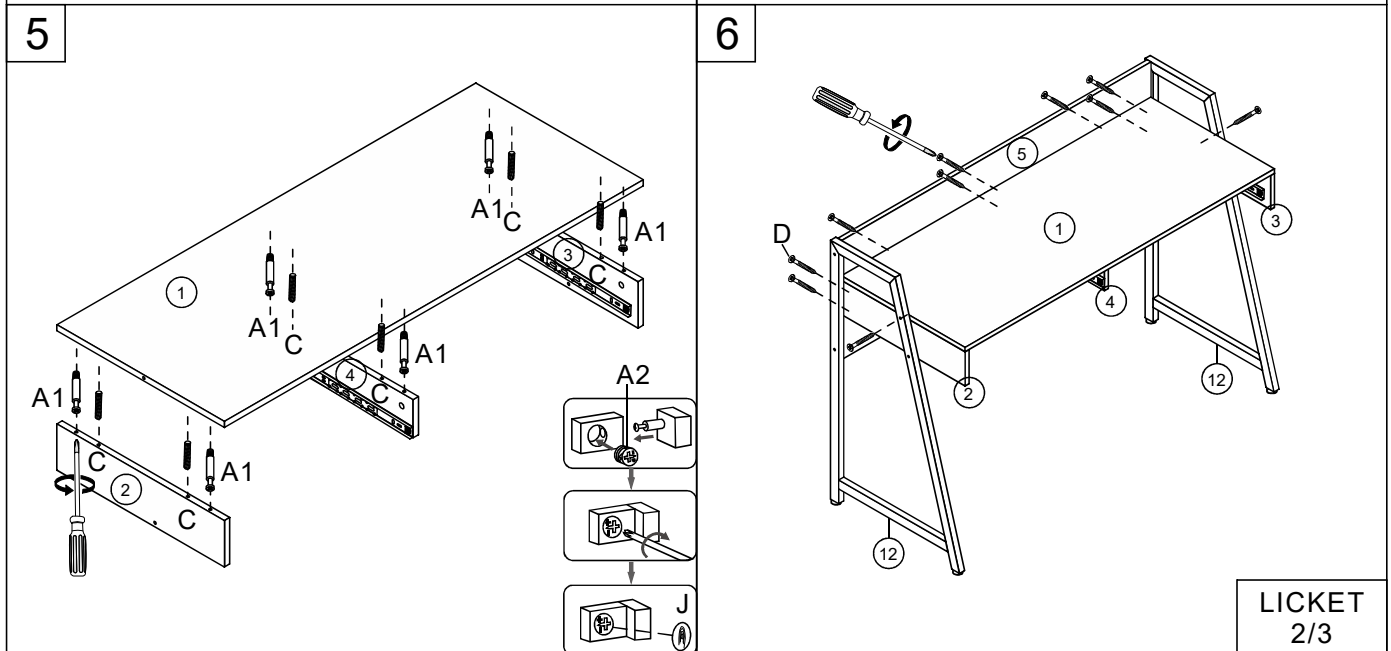
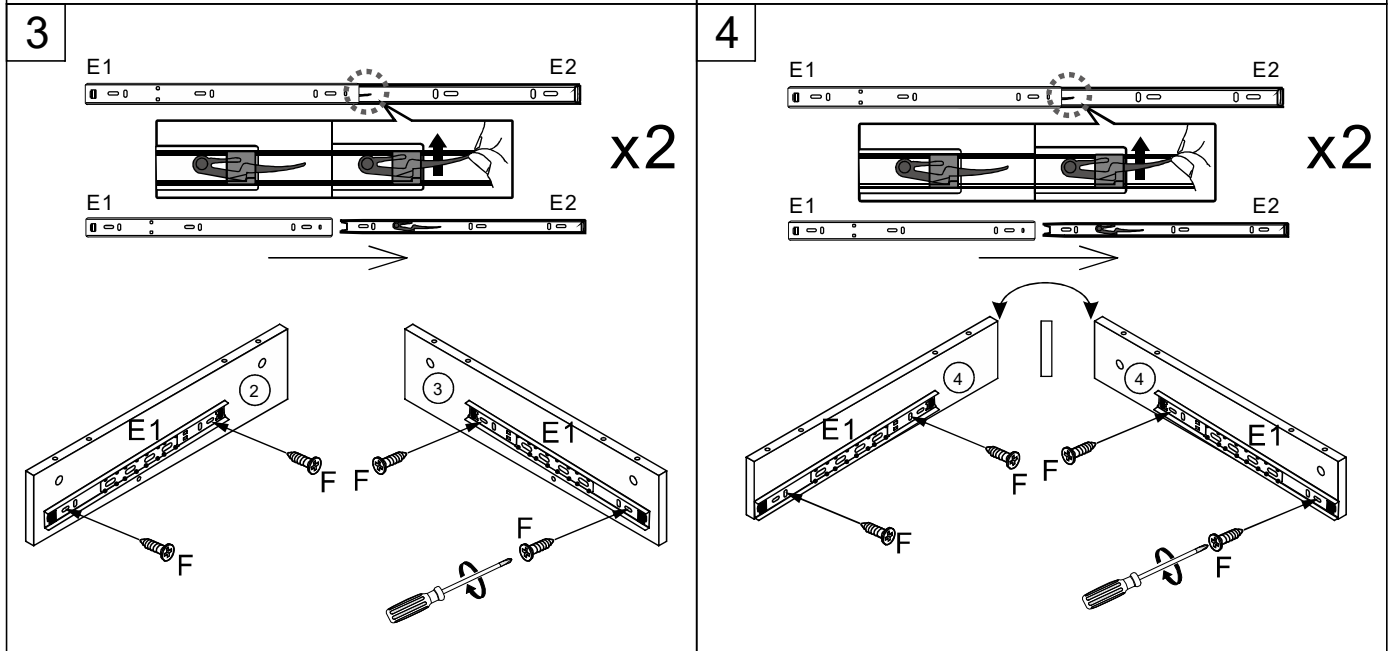
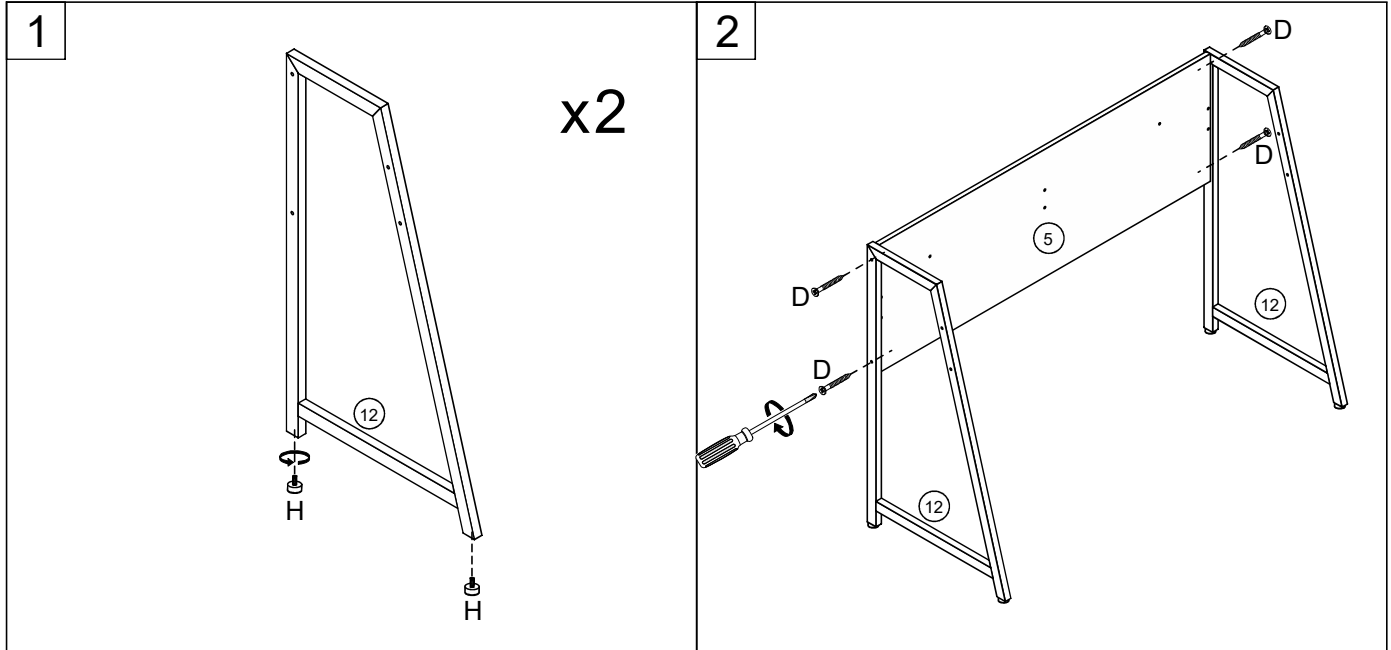


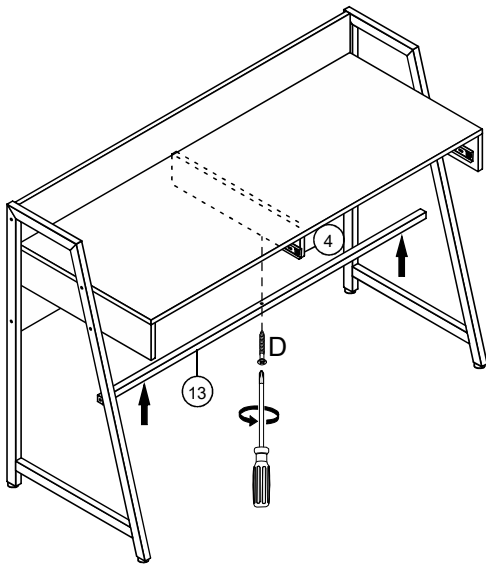
<p>A1</p>  <p>x14</p>	<p>A2</p>  <p>x14</p>	<p>B</p>  <p>(M6X50mm)x2</p>	<p>C</p>  <p>(8X30mm)x6</p>
<p>D</p>  <p>(ST5X50mm)x23</p>	<p>E</p>  <p>x4</p>	<p>F</p>  <p>(ST3.5X12mm)x16</p>	
<p>G</p>  <p>x1</p>	<p>H</p>  <p>(M8X20X10mm)x4</p>	<p>J</p>  <p>14</p>	

 <p>x1</p>	 <p>40 MIN</p>	
---	---	--

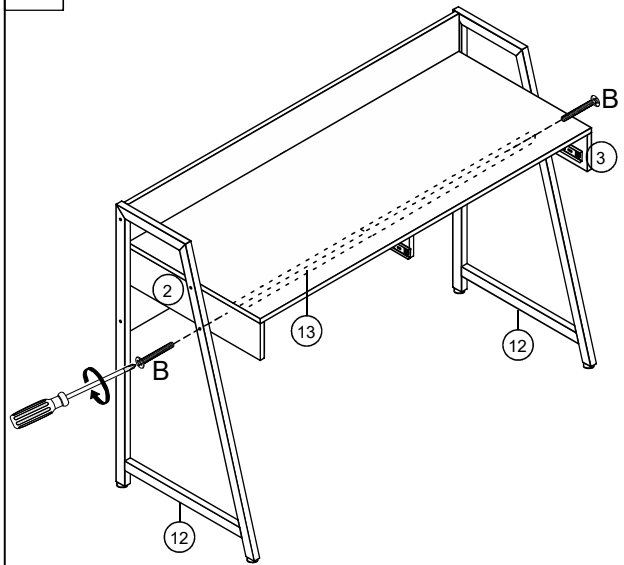
<p>①</p>  <p>x1</p>	<p>②</p>  <p>x1</p>	<p>③</p>  <p>x1</p>	<p>④</p>  <p>x1</p>	
<p>⑤</p>  <p>x1</p>	<p>⑥</p>  <p>x1</p>	<p>⑦</p>  <p>x1</p>	<p>⑧</p>  <p>x2</p>	
<p>⑨</p>  <p>x2</p>	<p>⑩</p>  <p>x2</p>	<p>⑪</p>  <p>x2</p>	<p>⑫</p>  <p>x2</p>	<p>⑬</p>  <p>x1</p>



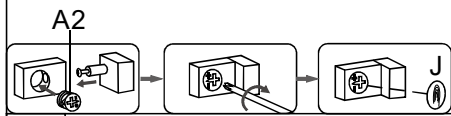
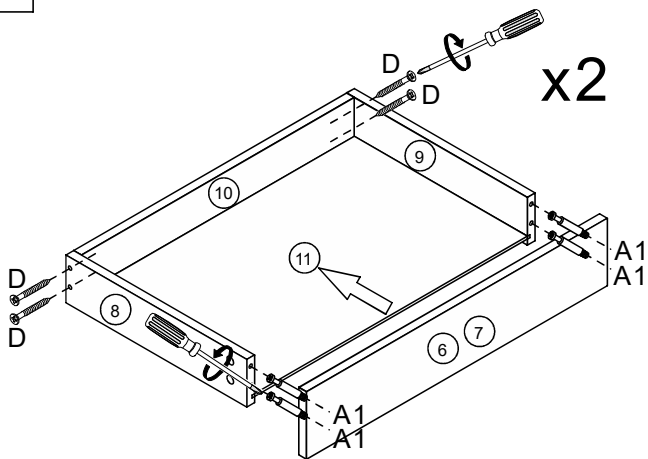
7



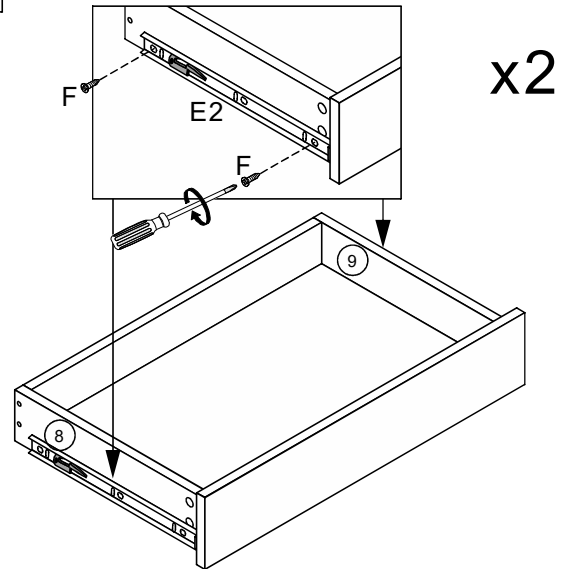
8



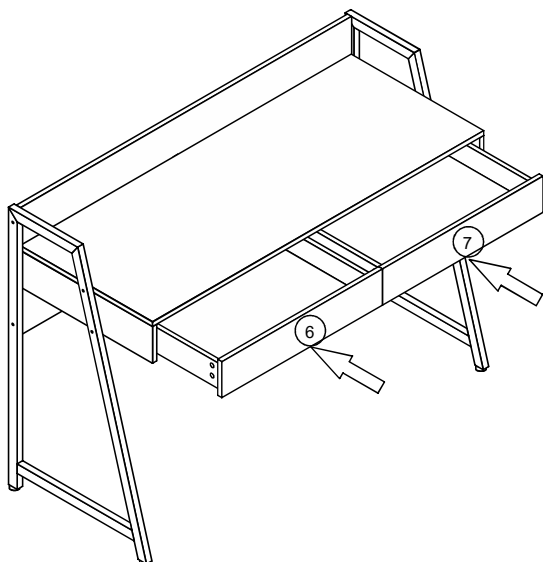
9



10



11



12

