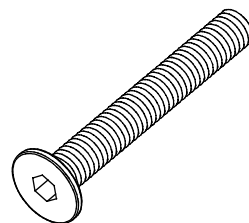
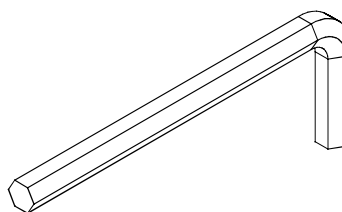


A



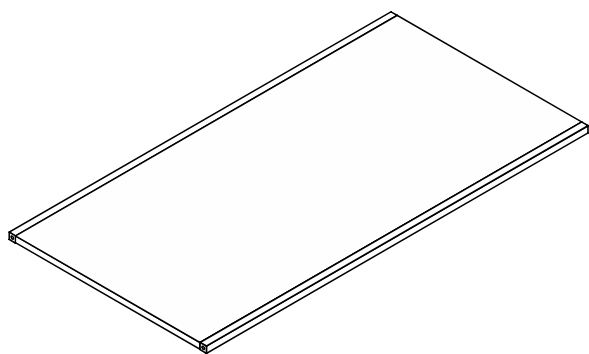
(M6X40mm)x8

B



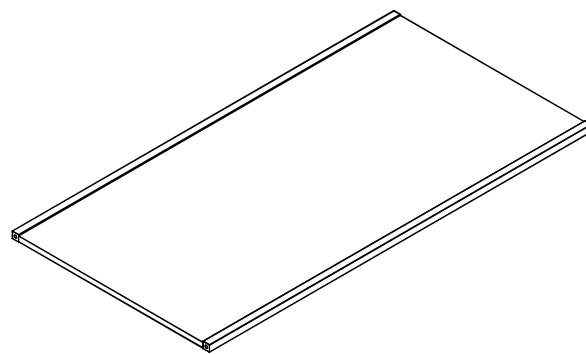
(4mm)x1

1



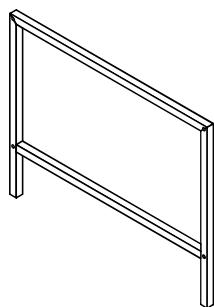
x1

2



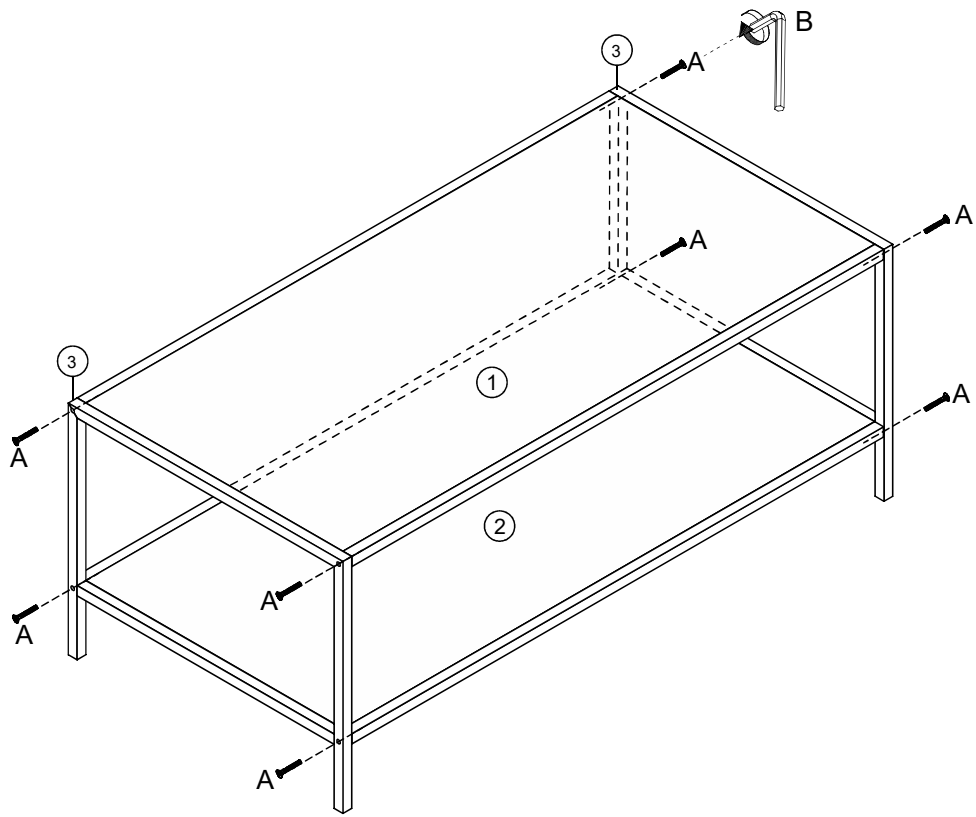
x1

3



x2

1



2

