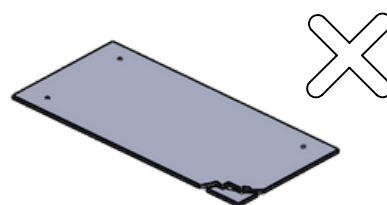
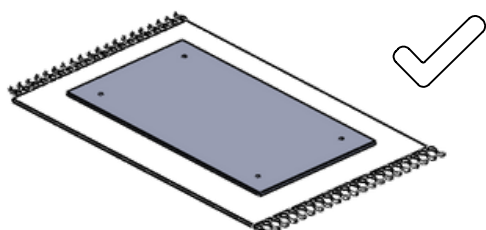
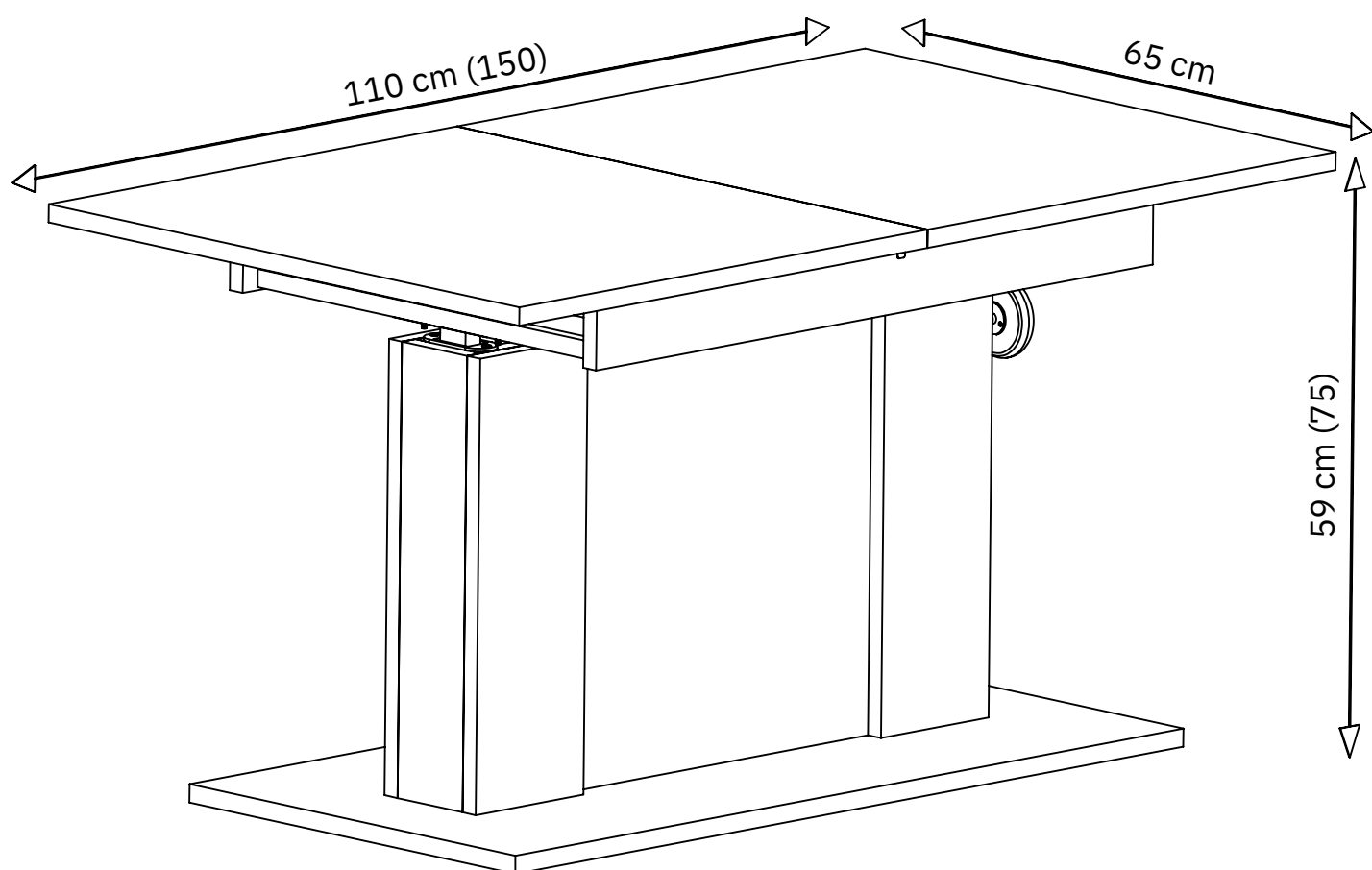
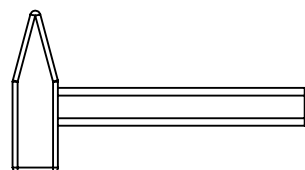
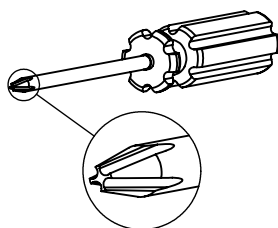
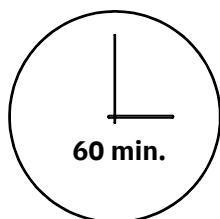
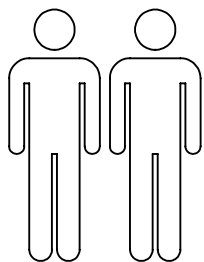
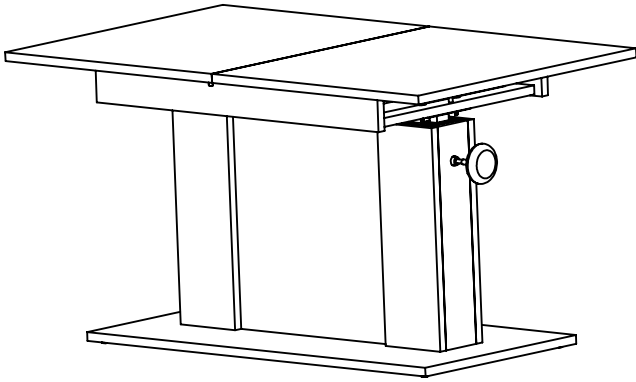


Model: Kominek JUNIS (HL4)

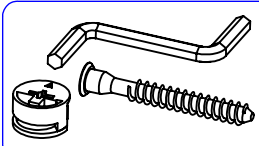
Art. Nr.18130004/01

Halex
meble

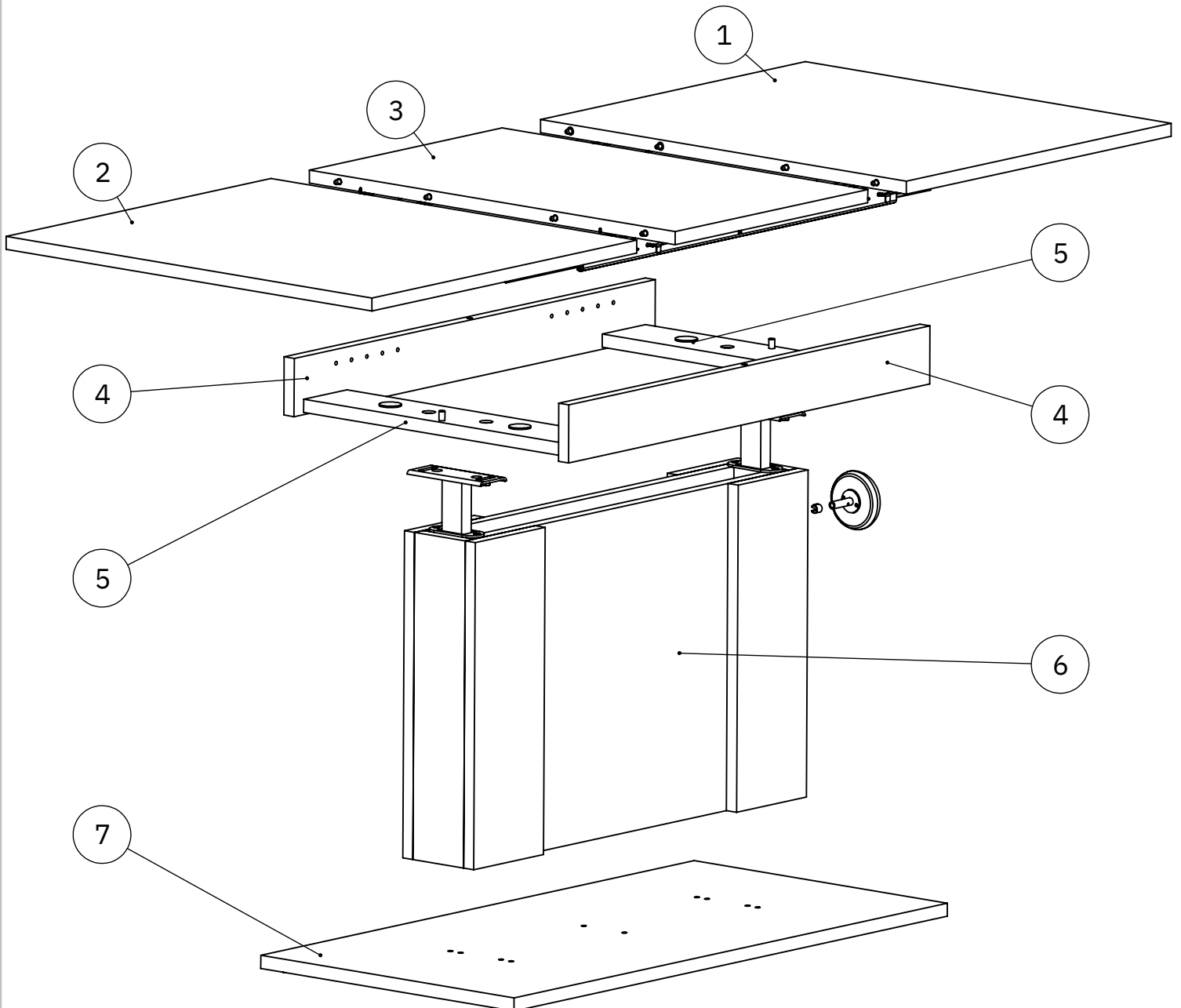


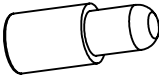
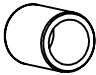

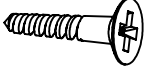
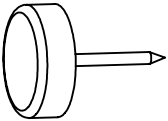

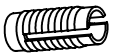
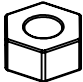

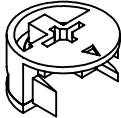




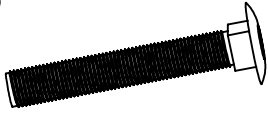
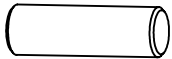
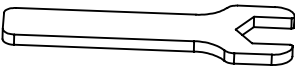

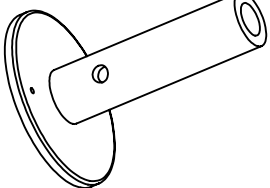
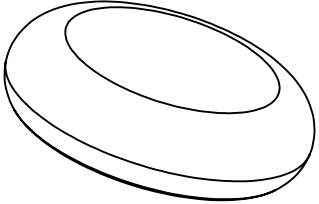

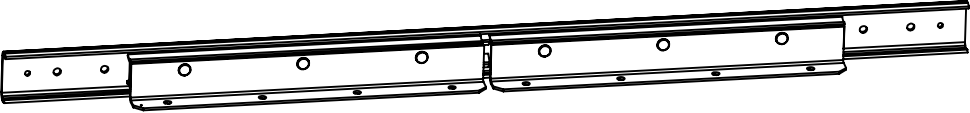


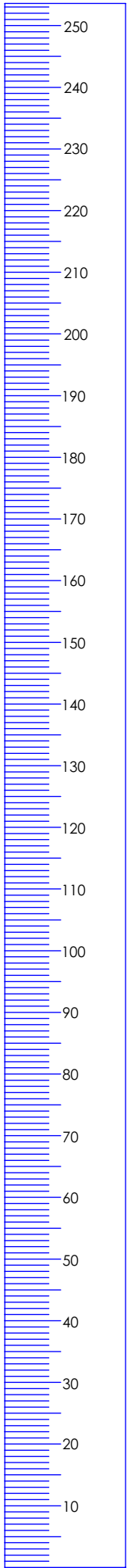
1	550 x 650 x 18	x1	1/2
2	550 x 650 x 18	x1	1/2
3	400 x 650 x 18	x1	1/2
4	750 x 80 x 18	x2	1/2
5	470 x 90 x 18	x2	1/2
6	692 x 450 x 126	x1	2/2
7	900 x 450 x 18	x1	1/2




C 2/2

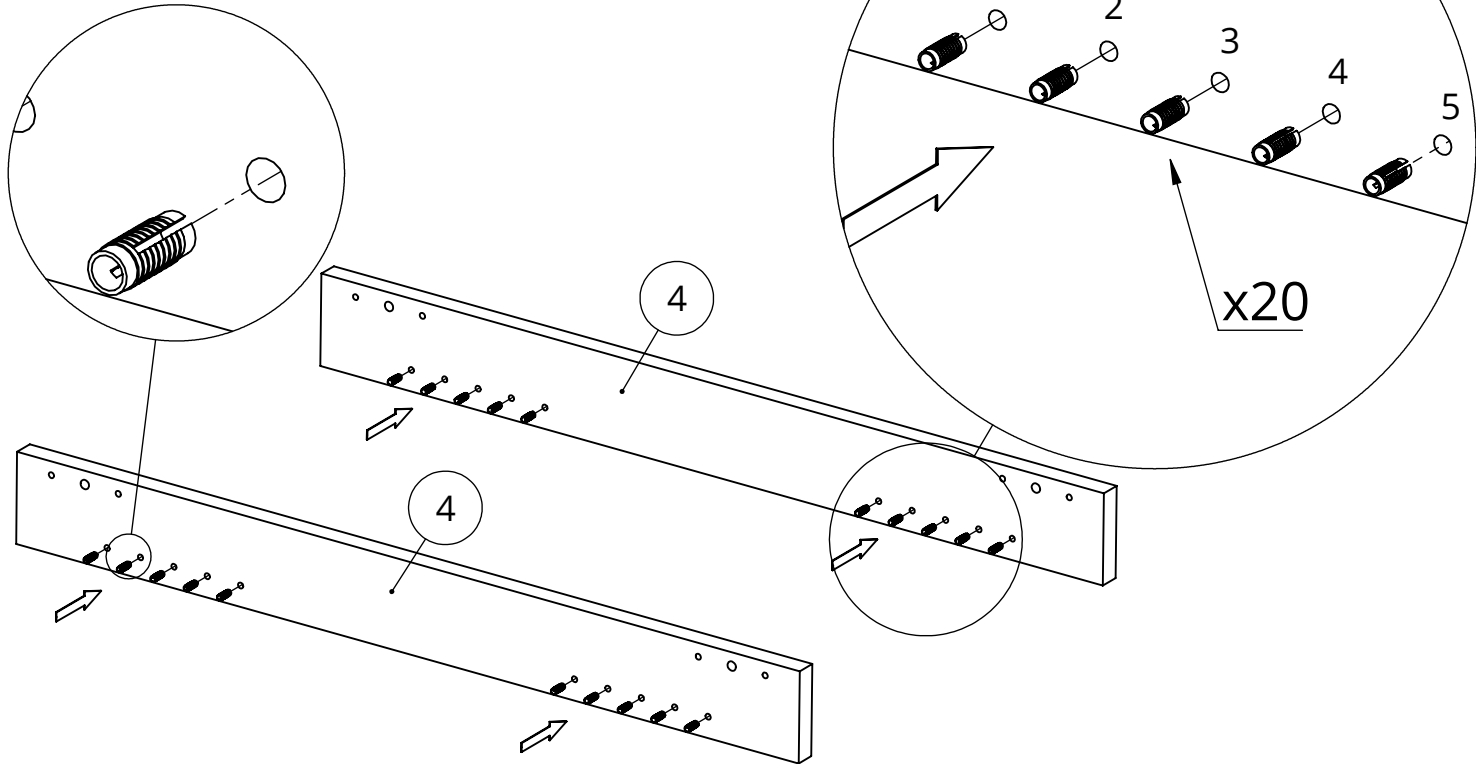


<p>A3</p>  <p>x 8</p>	<p>A2</p>  <p>x 8</p>	<p>A7</p>  <p>x 4</p>
<p>C1</p>  <p>4 x 16 mm x 44</p>	<p>B8</p>  <p>x 4</p>	<p>A1</p>  <p>8 x 36 mm x 4</p>
<p>B10</p>  <p>∅ 5 x 13 mm x 44</p>	<p>B4</p>  <p>x 4</p>	<p>C3</p>  <p>3 x 16 mm x 2</p>
<p>A5</p>  <p>∅ 15 x 12 mm x 8</p>	<p>K4</p>  <p>x 1</p>	<p>A9</p>  <p>x 1</p>
<p>A6</p>  <p>Euro 34 x 8</p>	<p>B5</p>  <p>x 4</p>	<p>B3</p>  <p>M6 x 30 mm x 4</p>
<p>A17</p>  <p>8 x 20 mm x 3</p>	<p>K1</p>  <p>10 mm x 1</p>	<p>A4</p>  <p>6,4 x 50 mm x 10</p>
<p>A8</p>  <p>x 1</p>	<p>B1</p>  <p>x 1</p>	<p>E1</p>  <p>∅ 30 mm x 4</p>
<p>D1</p>  <p>650 x 37 mm x 2</p>		

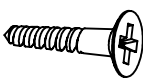



1

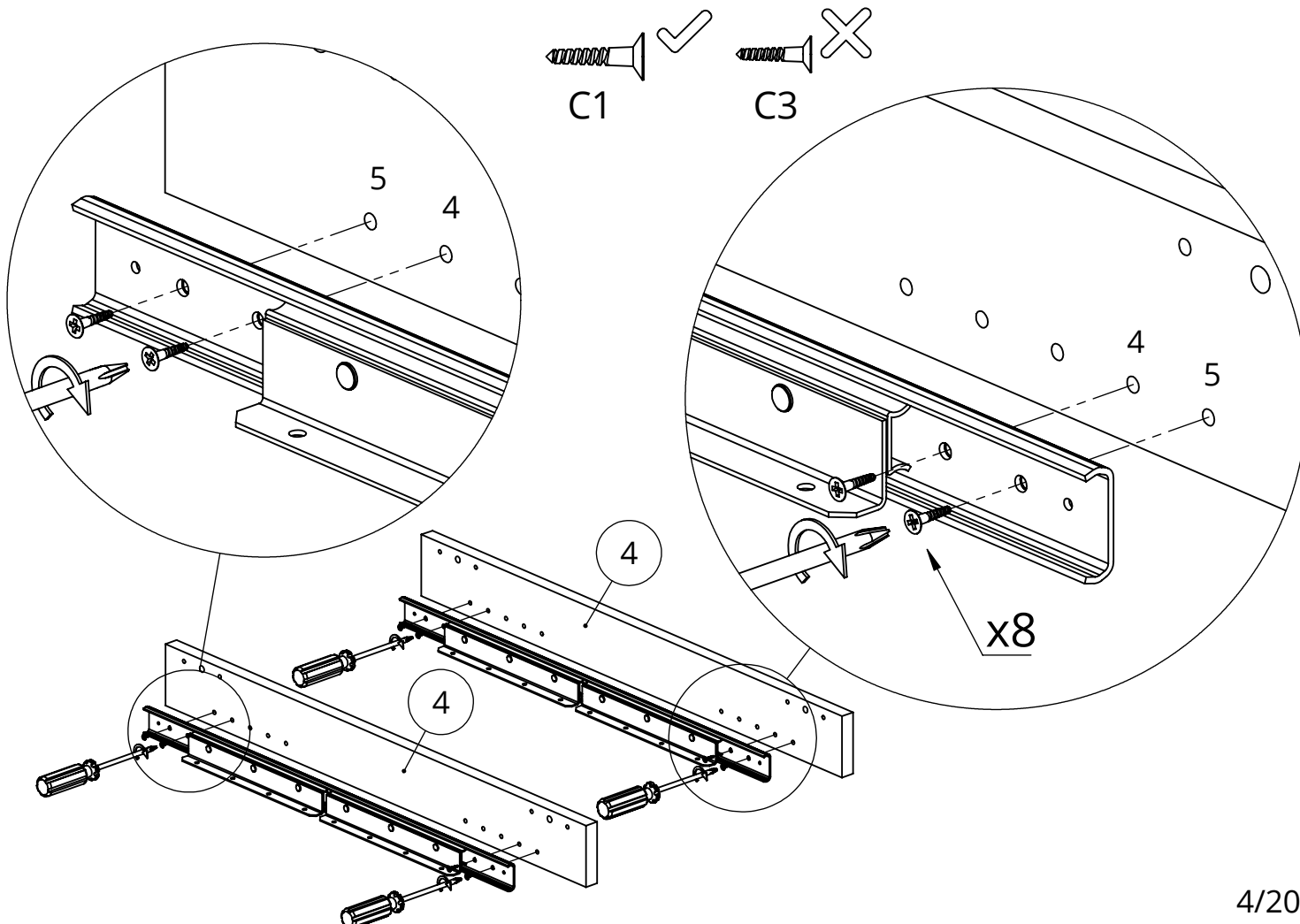
B10  x 20



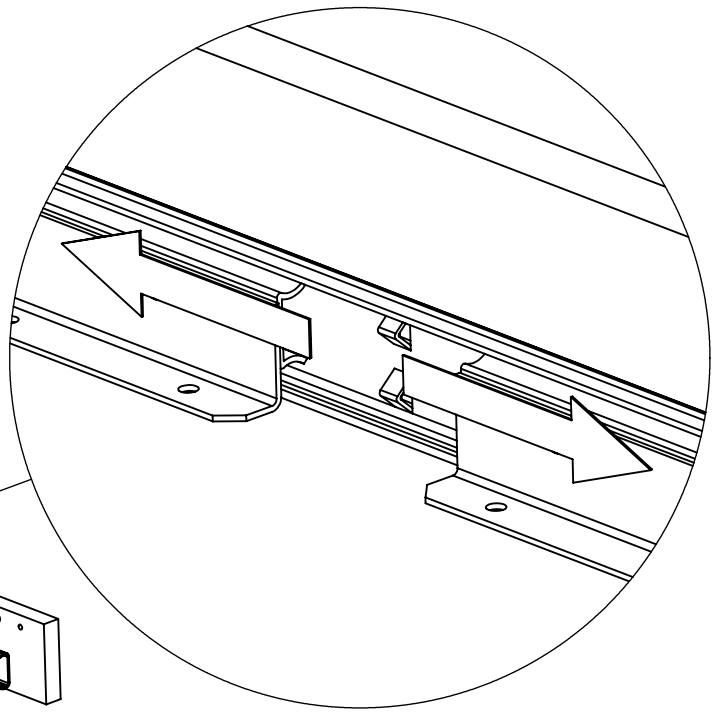
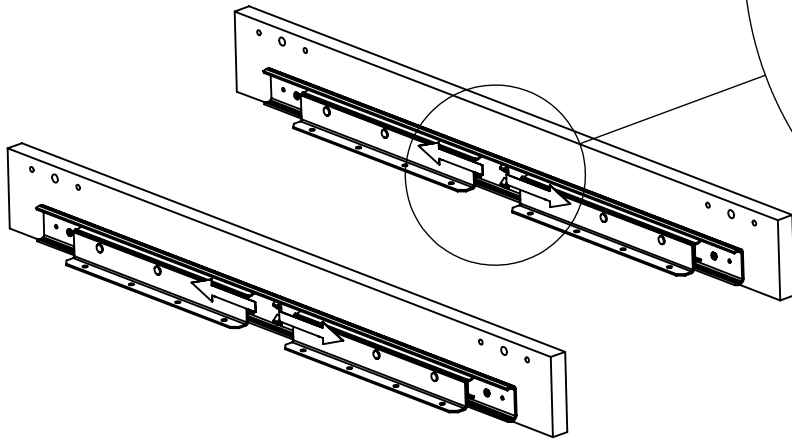
2

C1  x 8

D1  x 2

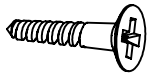


3

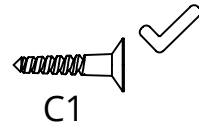


4

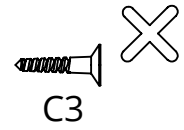
C1



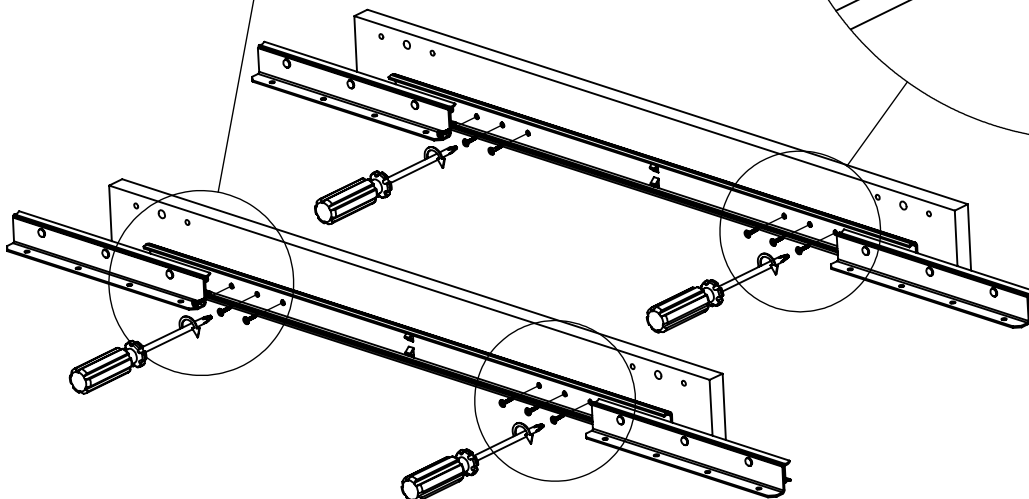
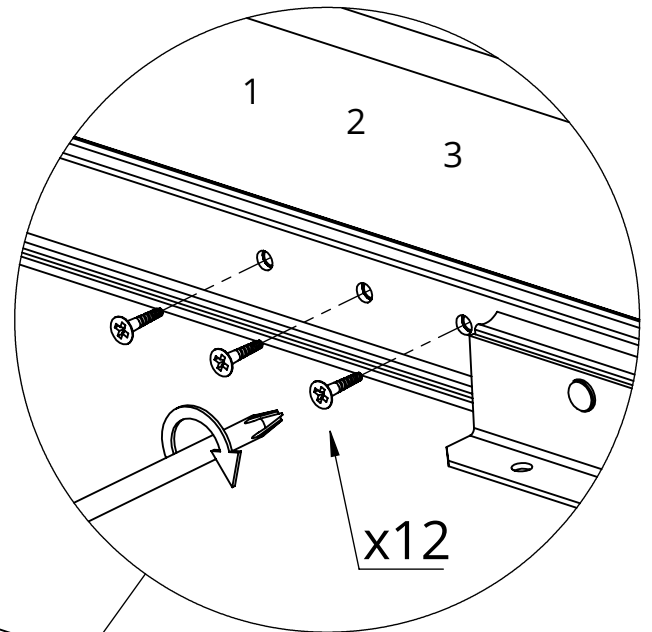
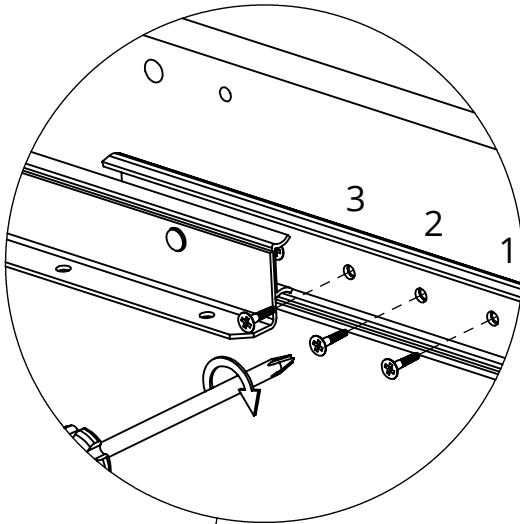
x 12



C1



C3

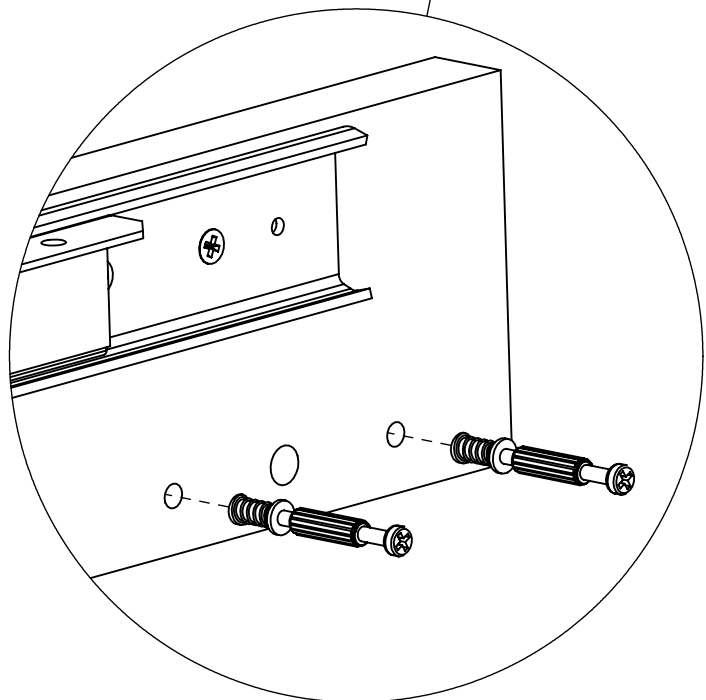
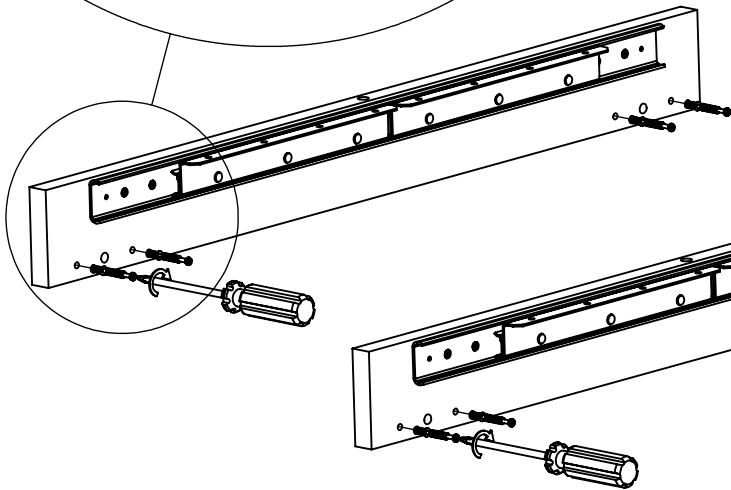
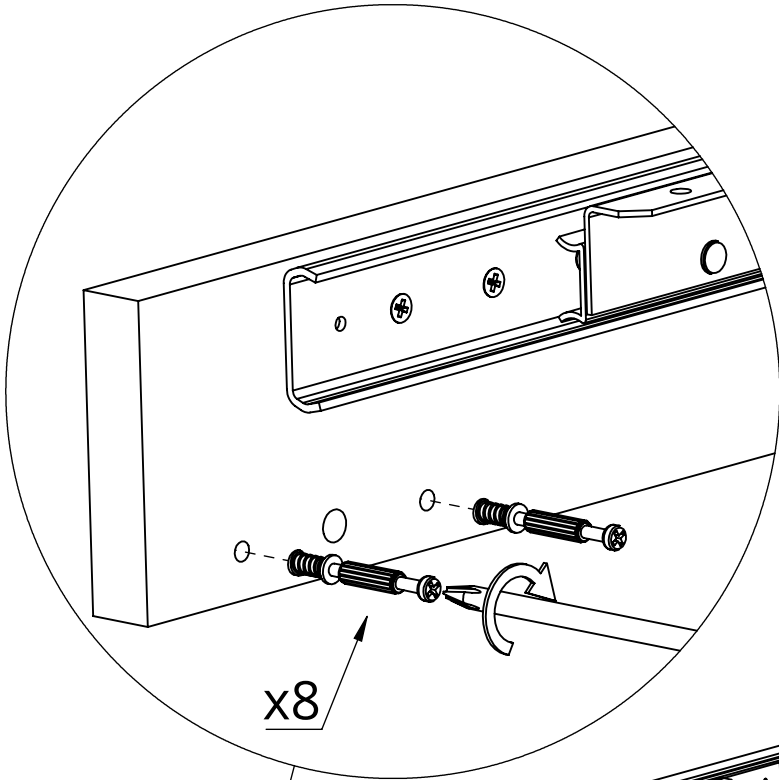
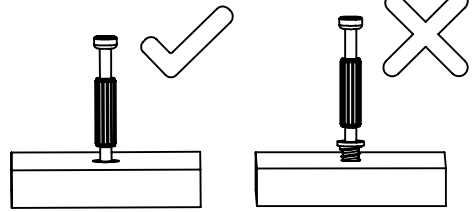


5

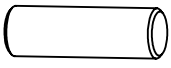
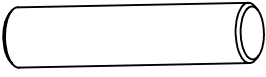
A6

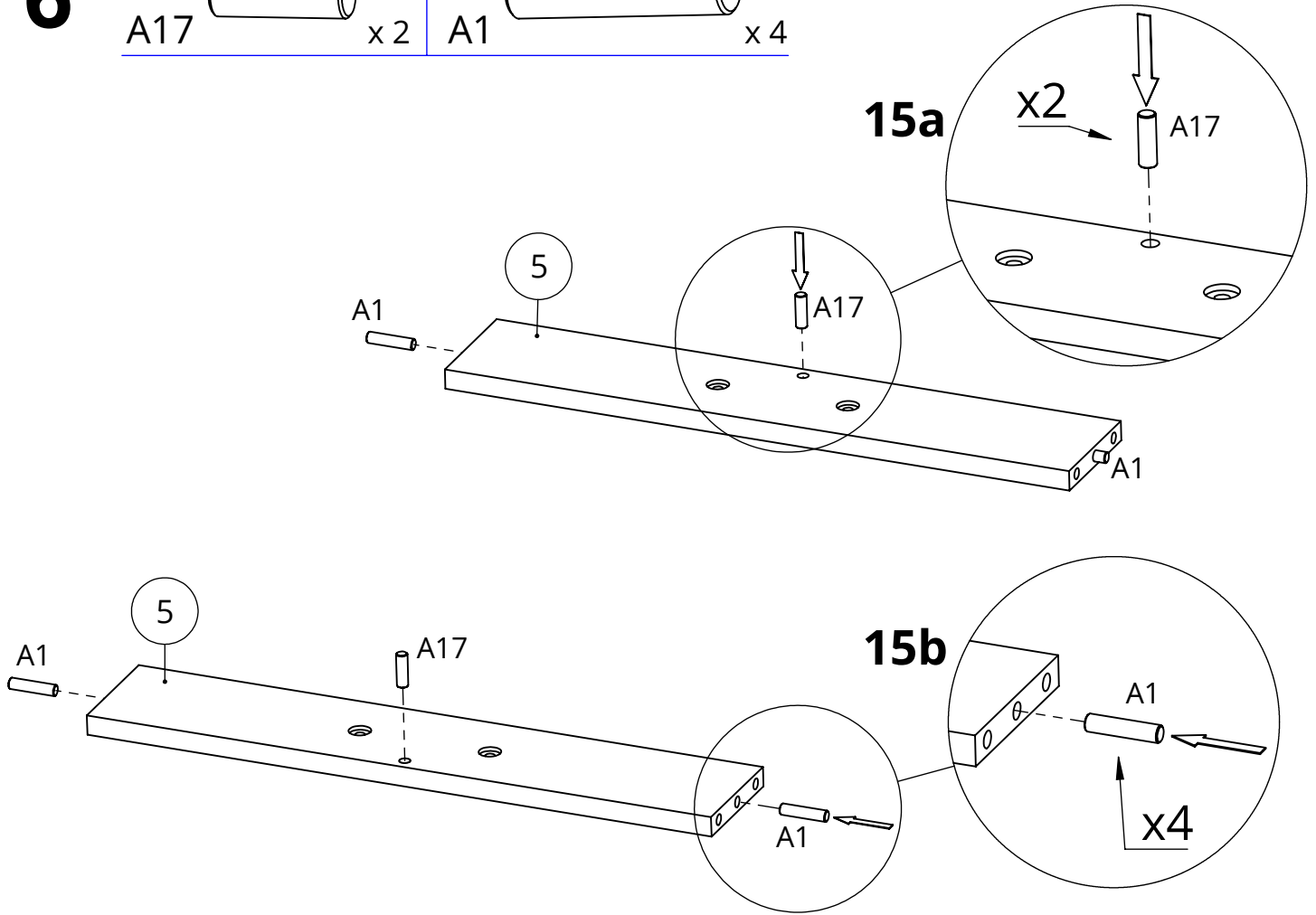


x 8



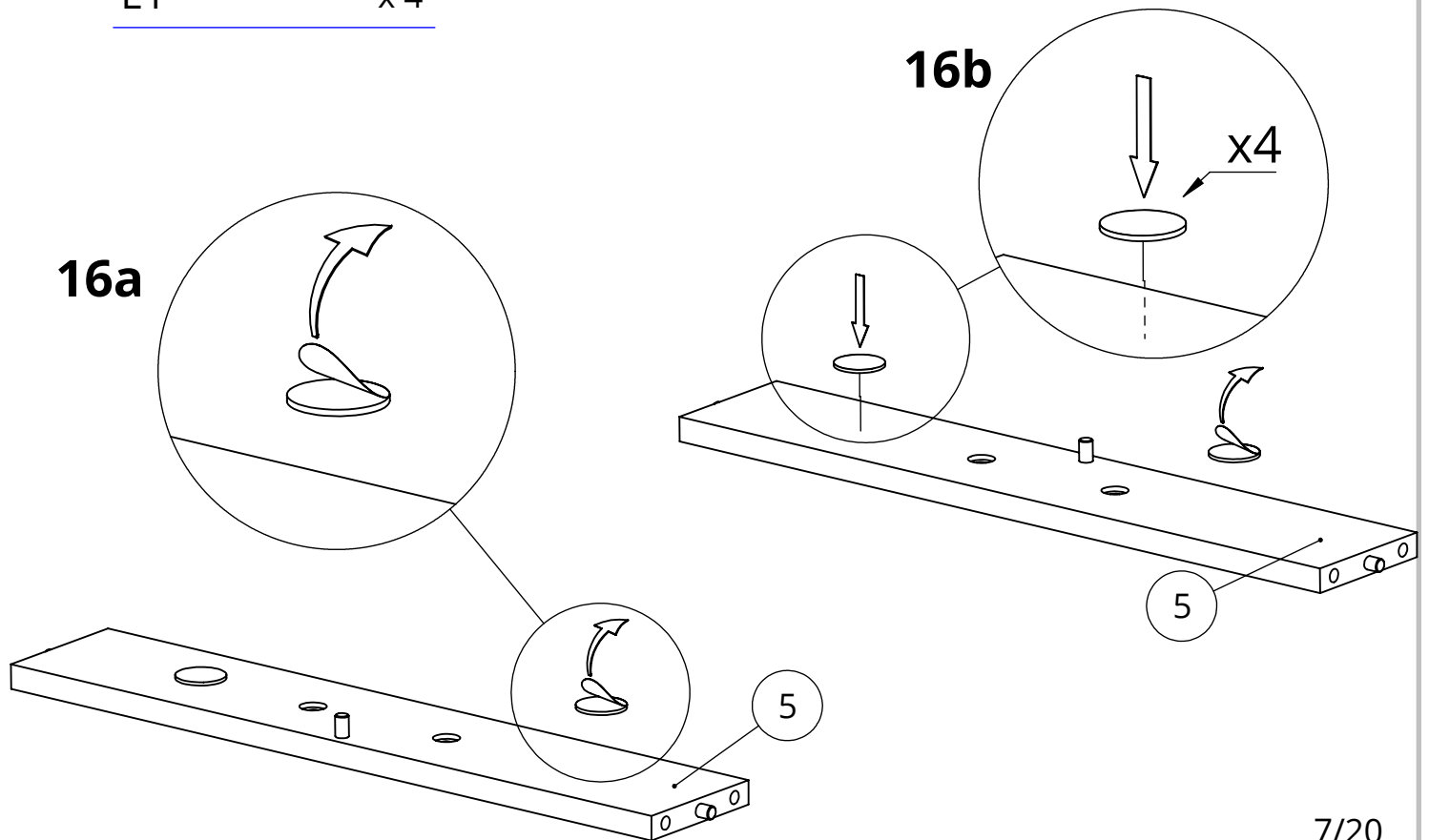
6

A17  x2 | A1  x4

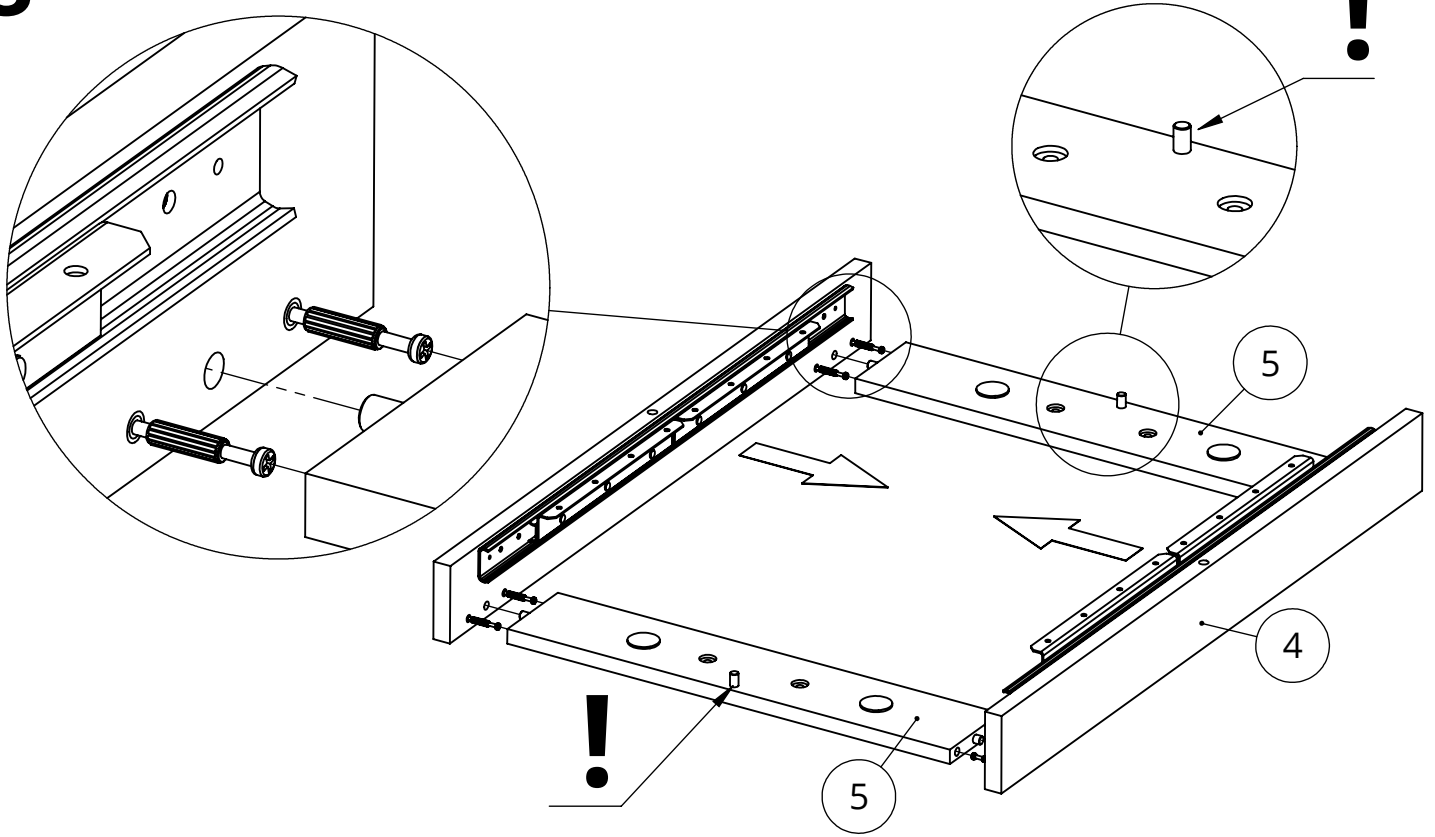


7

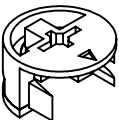
E1  x4

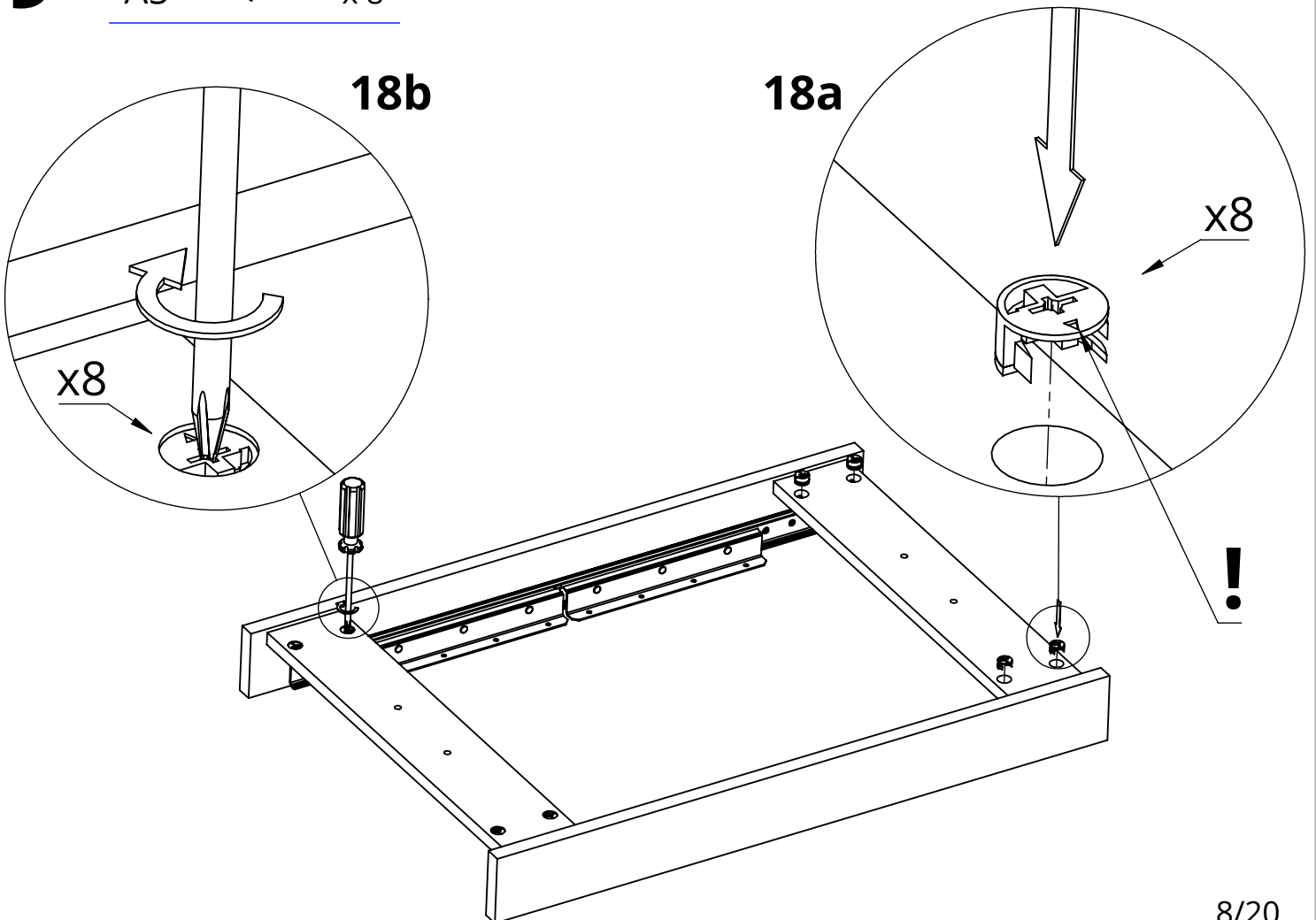


8



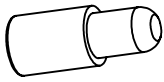
9

A5  x 8

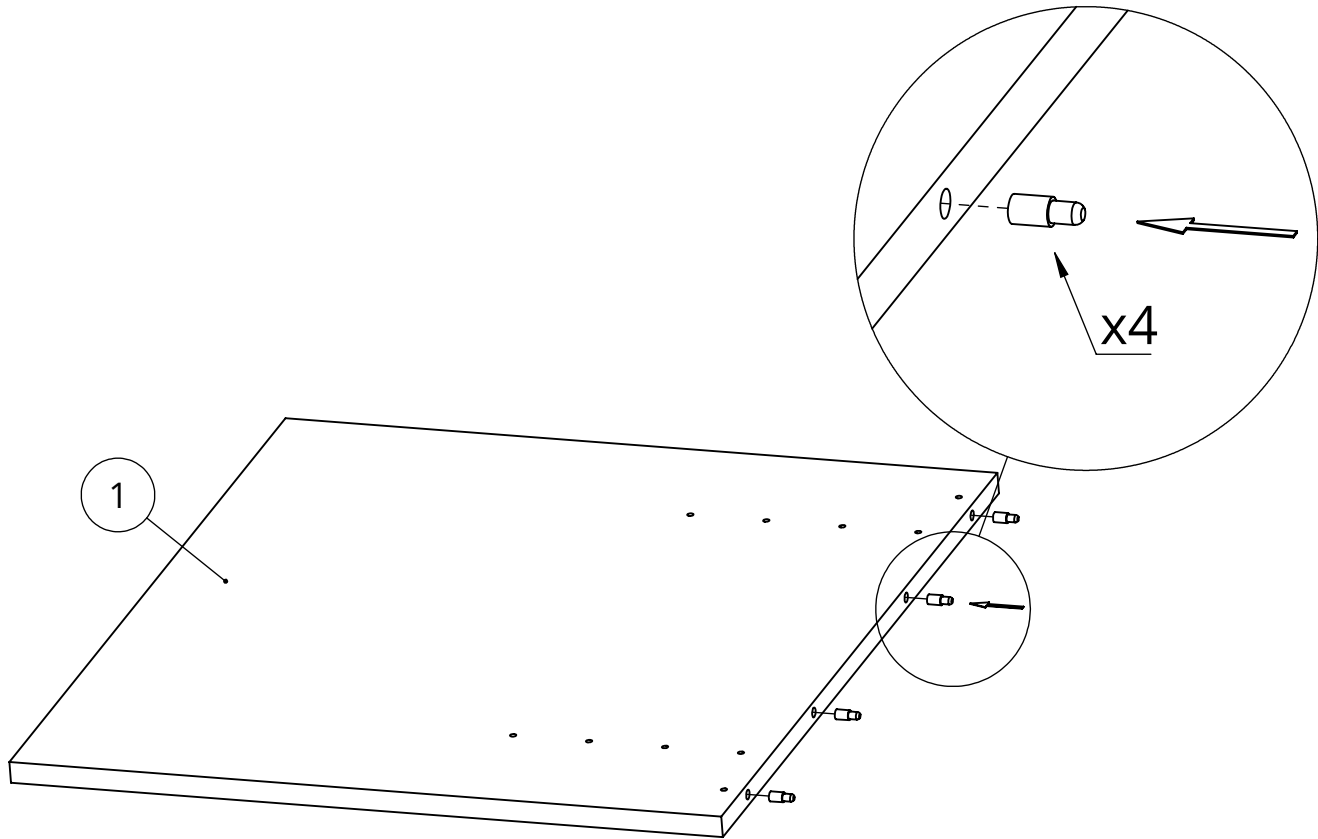


10

A3

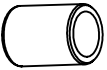


x4

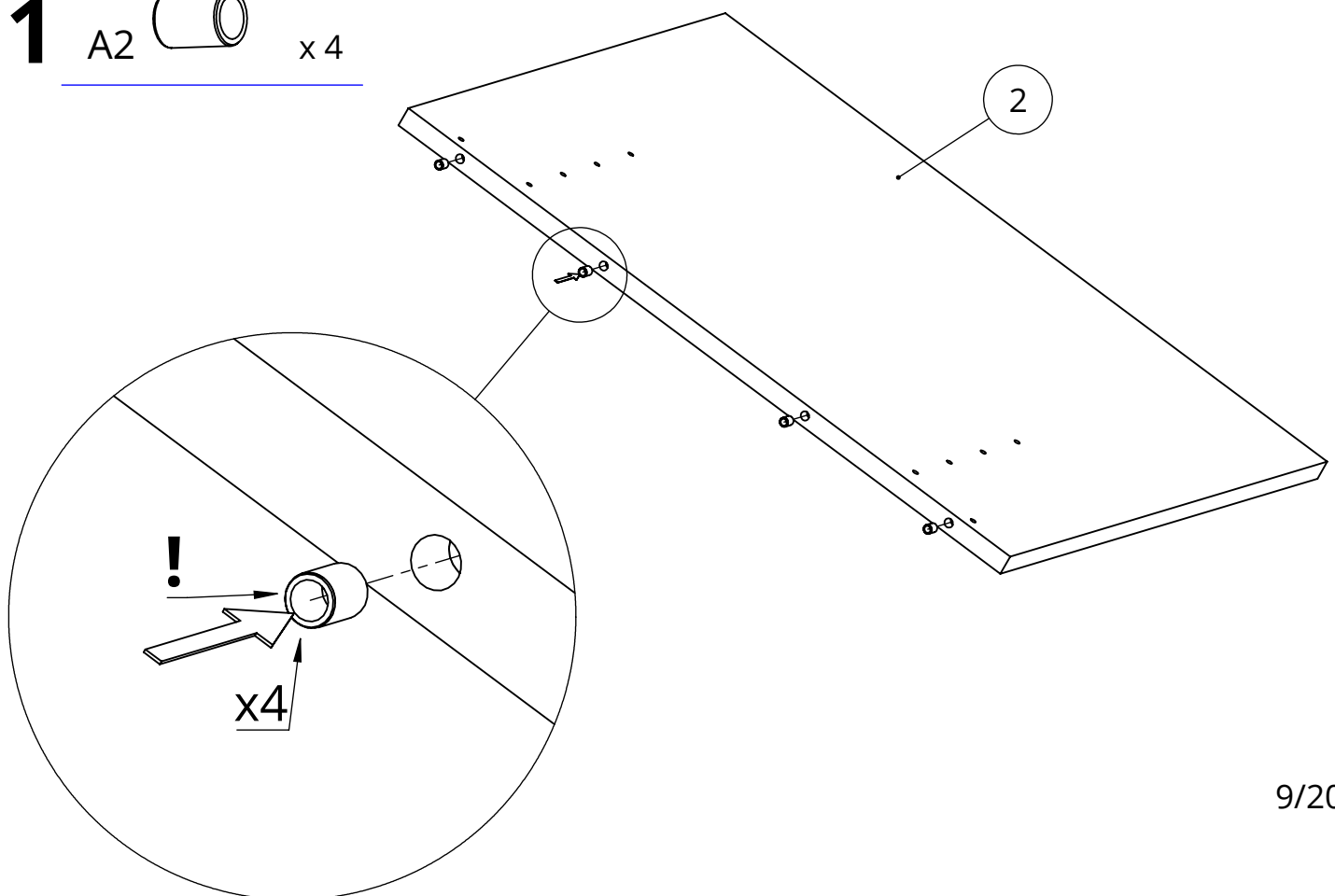


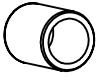
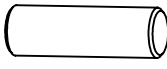
11

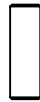

A2

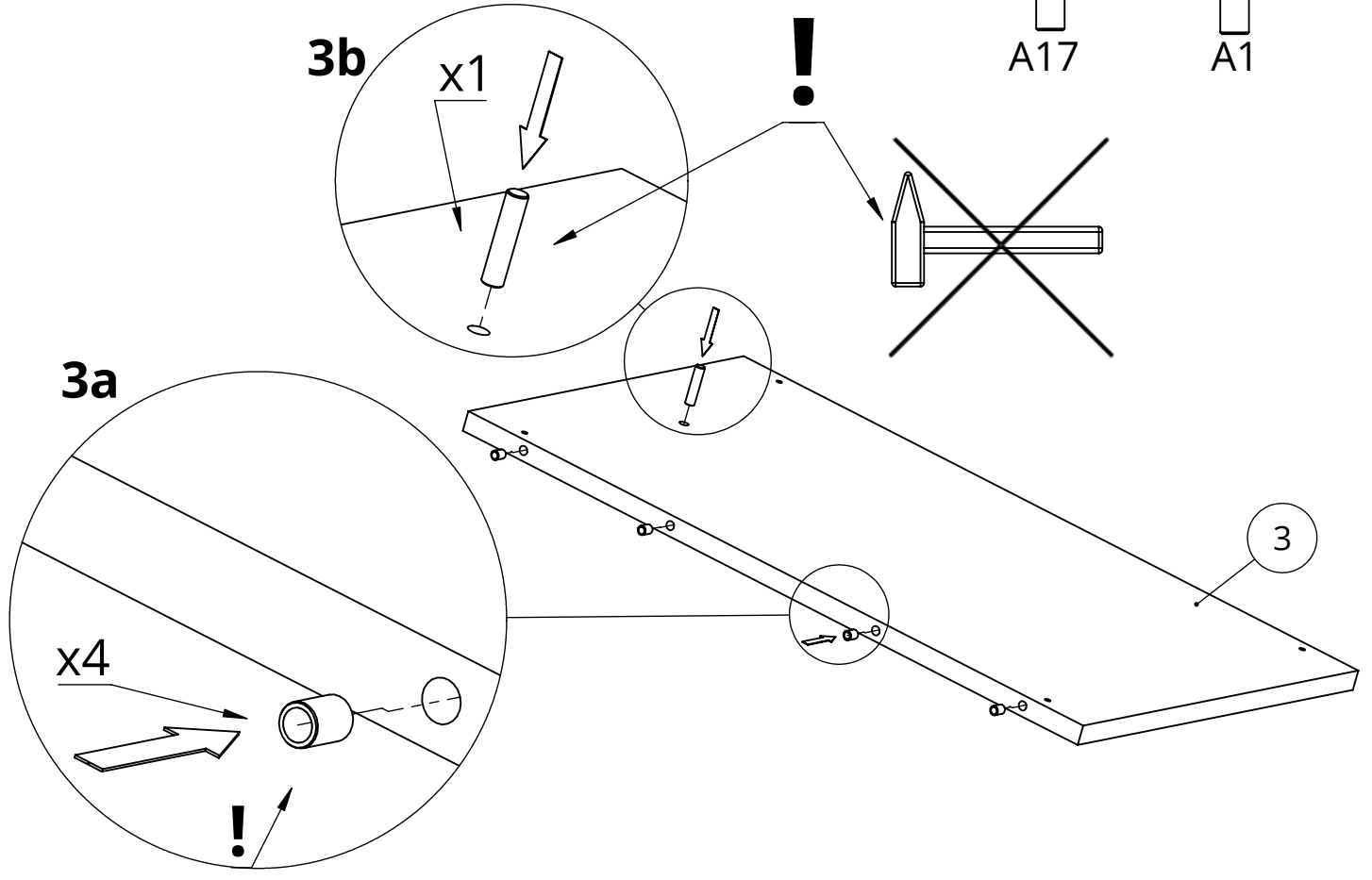



x4

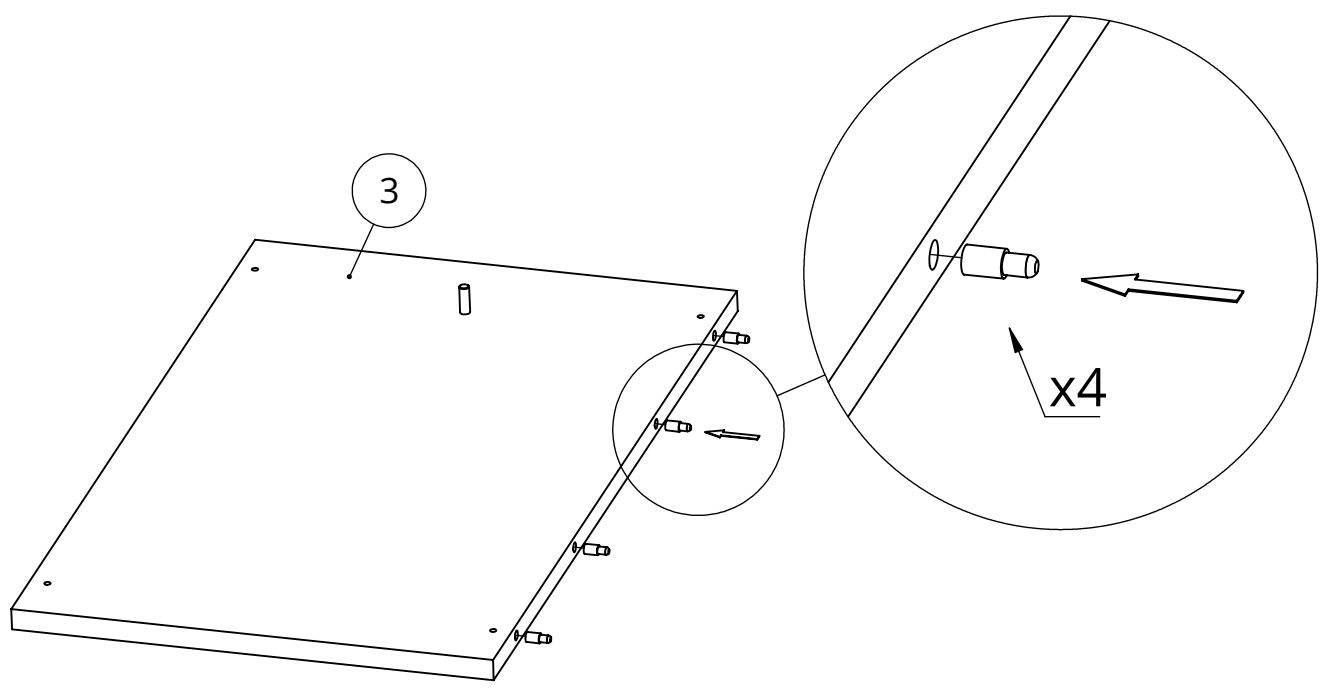


12 A2  x4 | A17  x1

 **A17** ✓ |  **A1** ✗

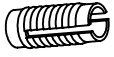


13 A3  x4

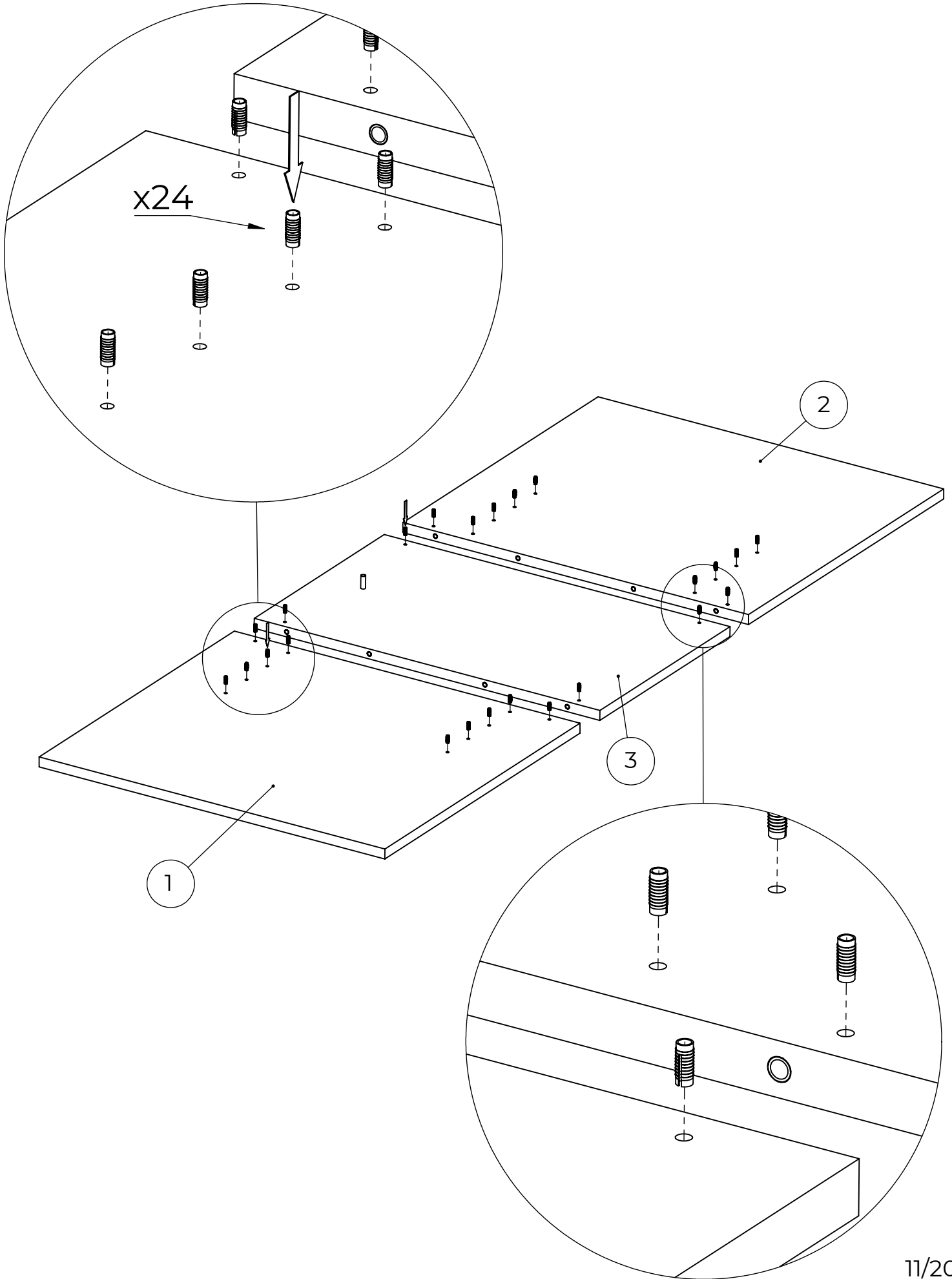


14

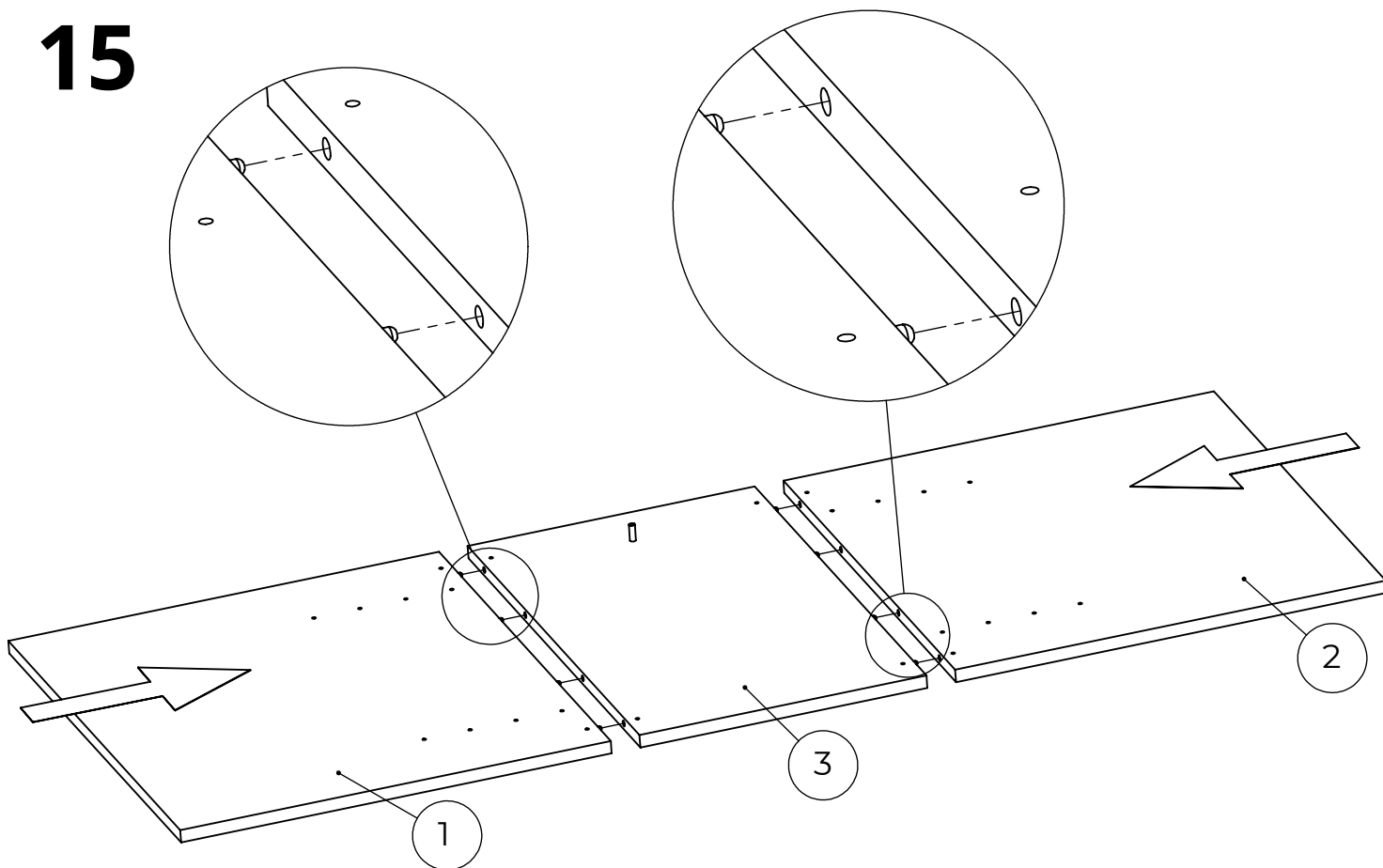
B10



x 24



15



16

C1

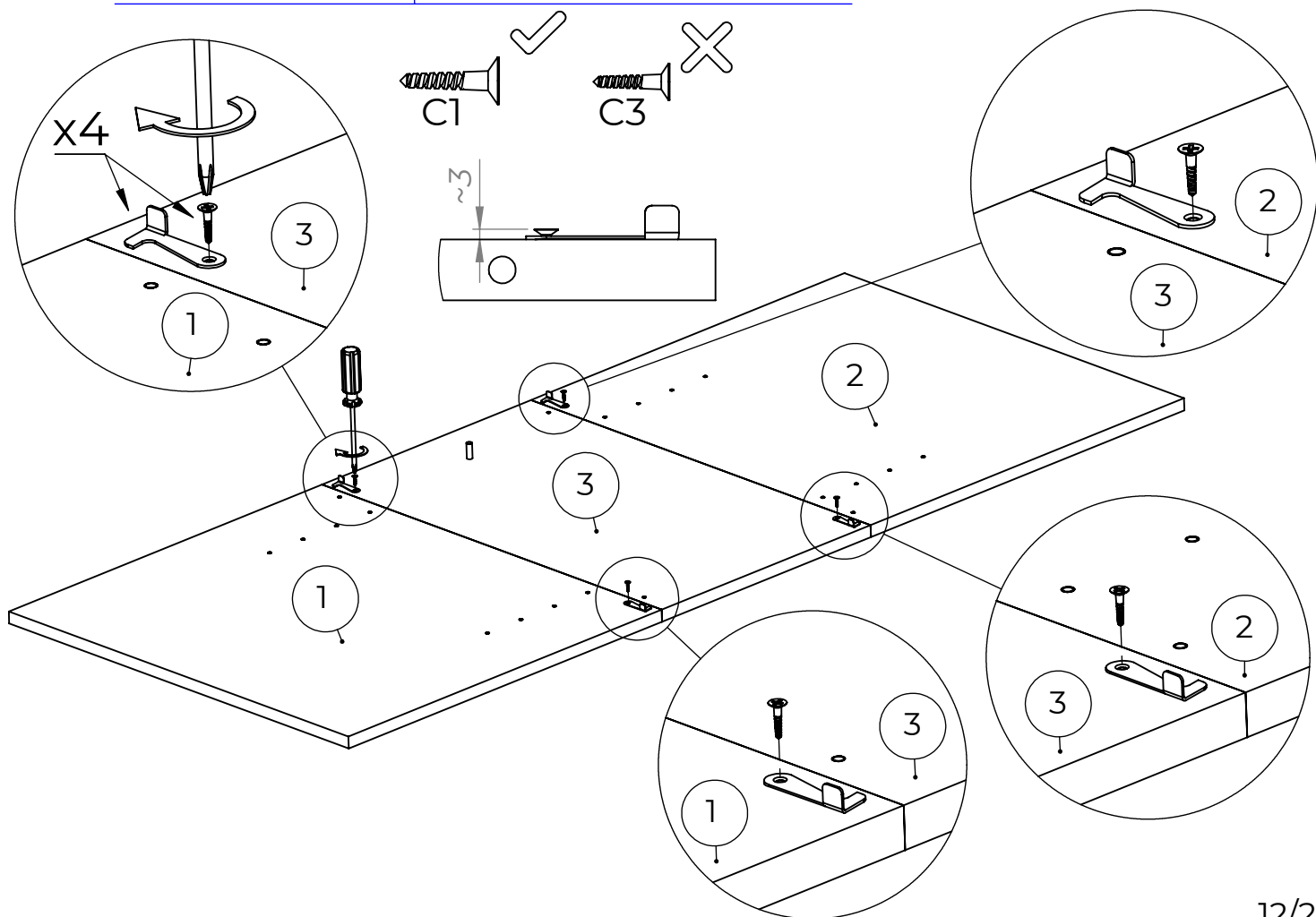


x 4

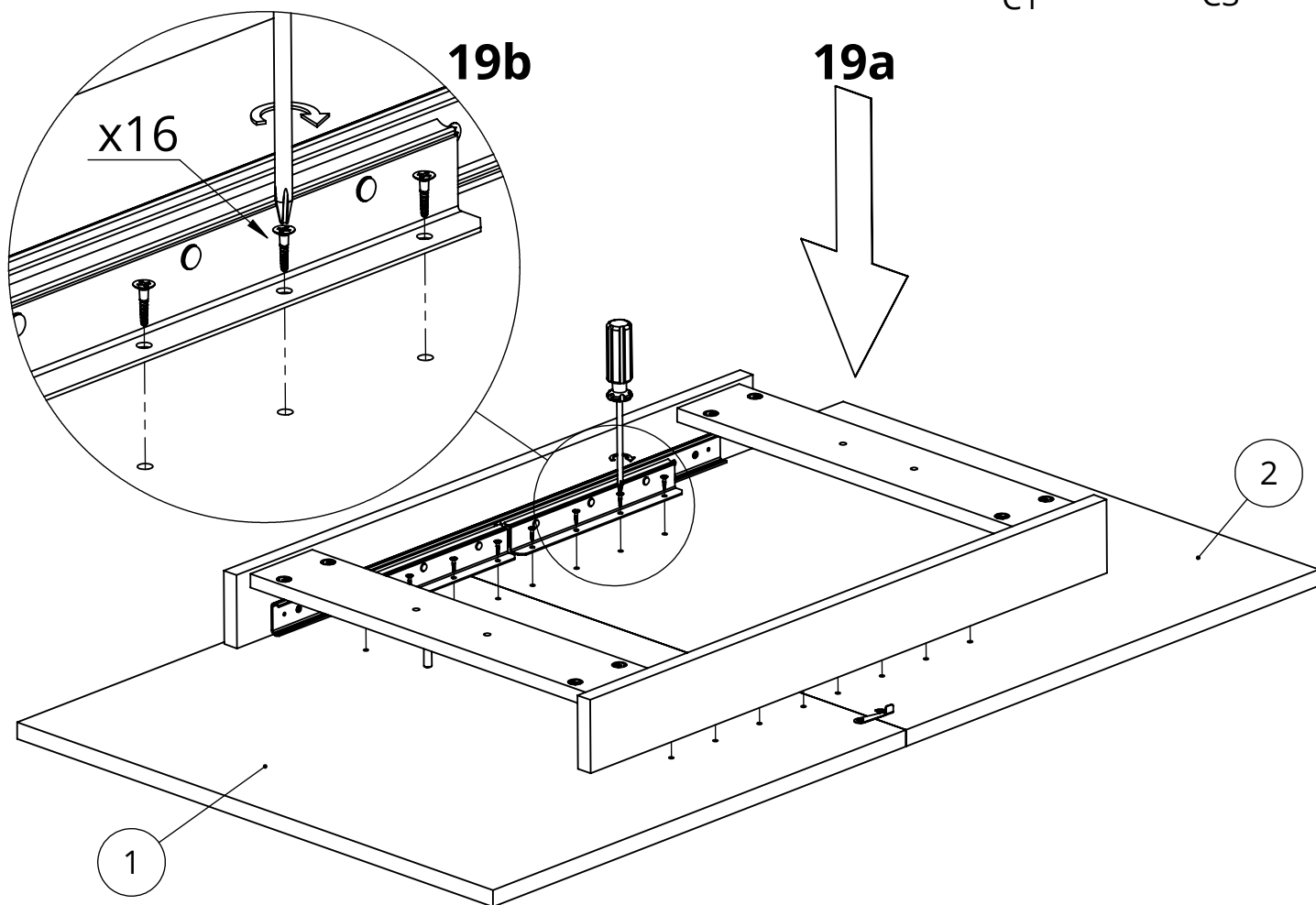
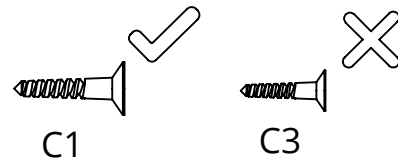
A7



x 4

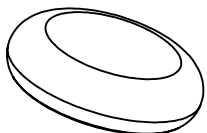


19 C1  x 16



20

B1



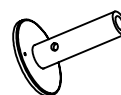
x 1

C3

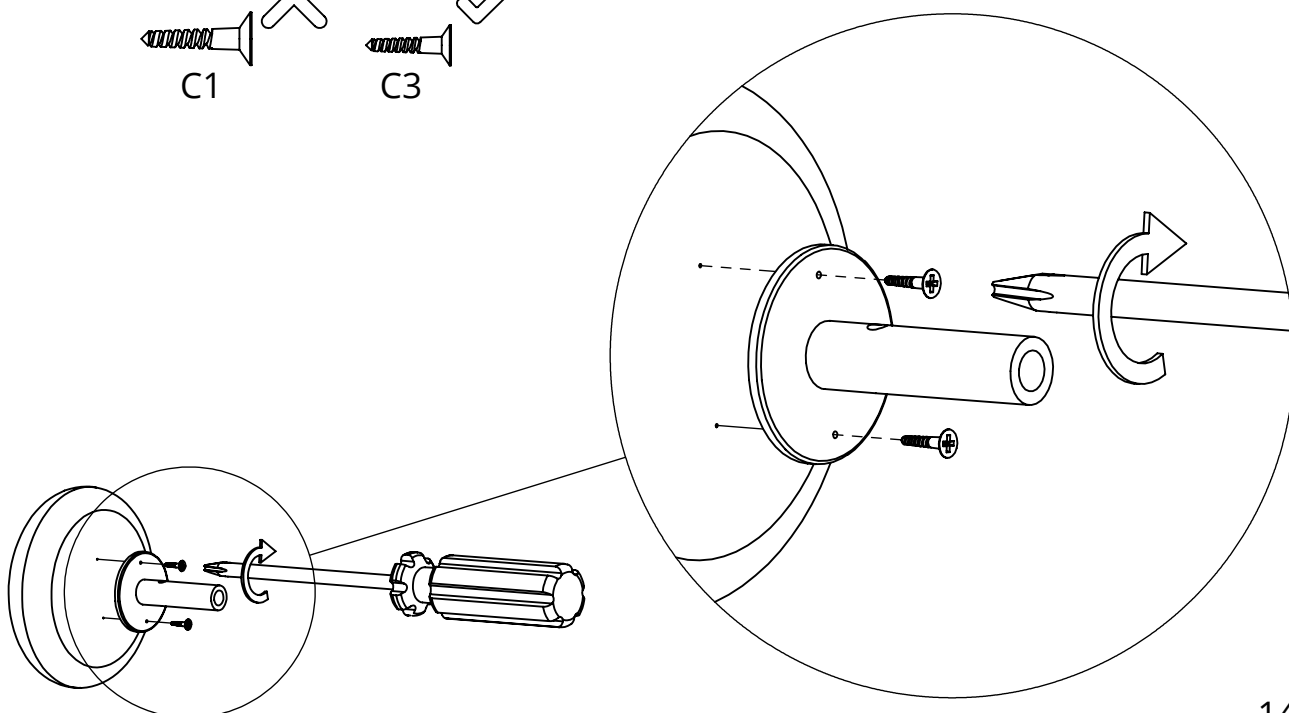
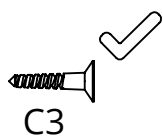
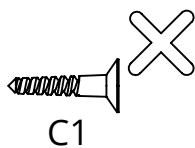


x 2

A8



x 1

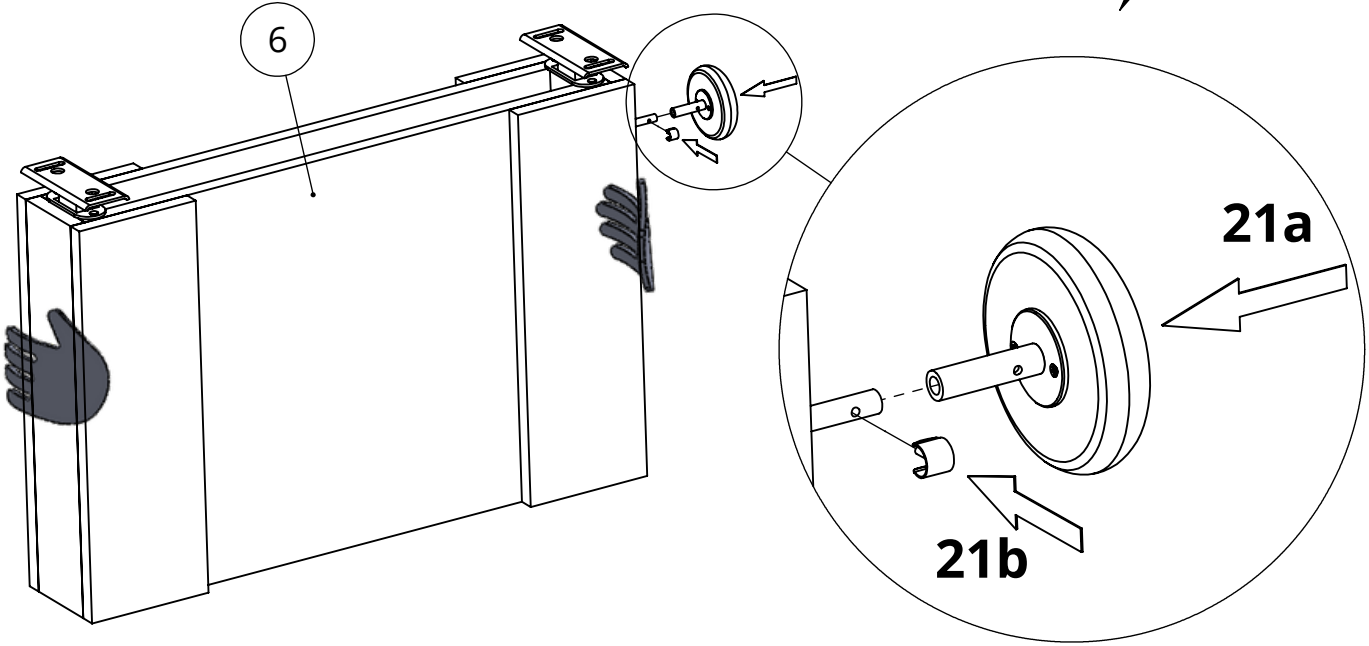
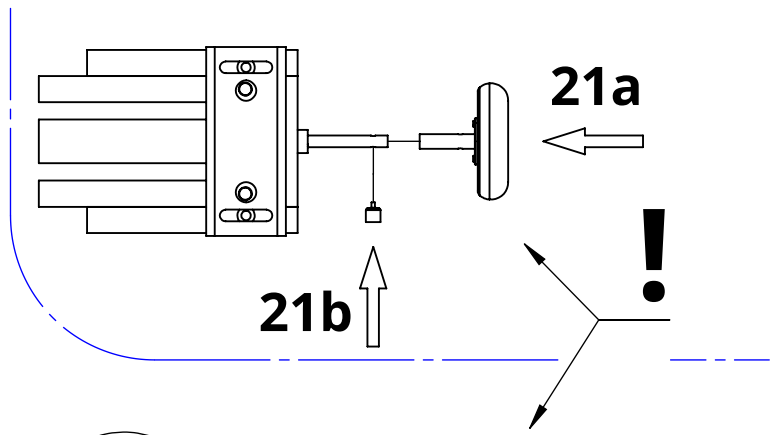
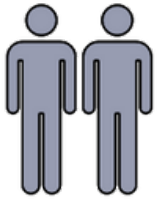


21

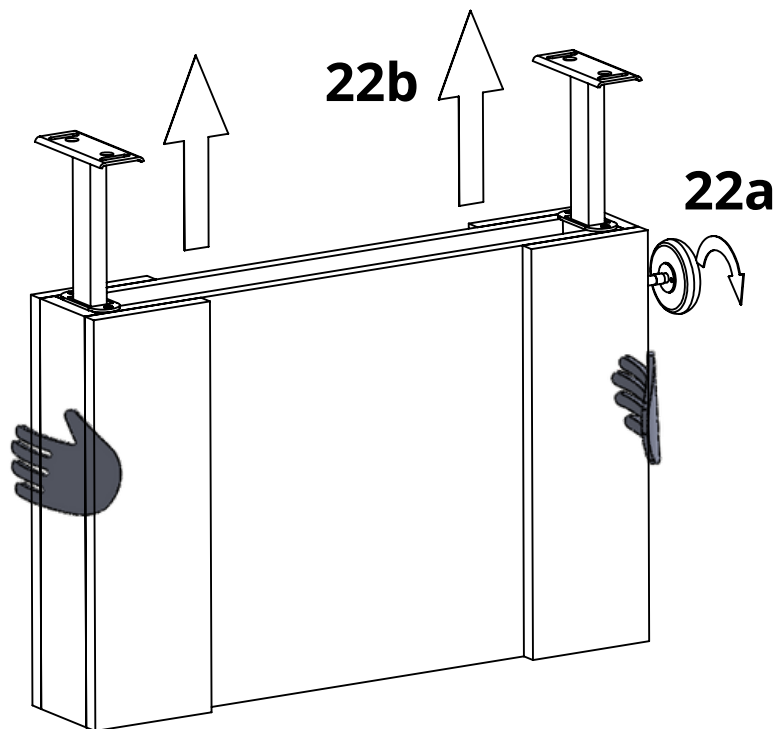
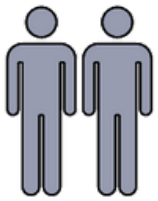
A9



x 1

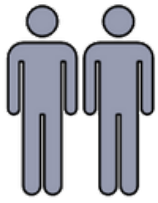


22

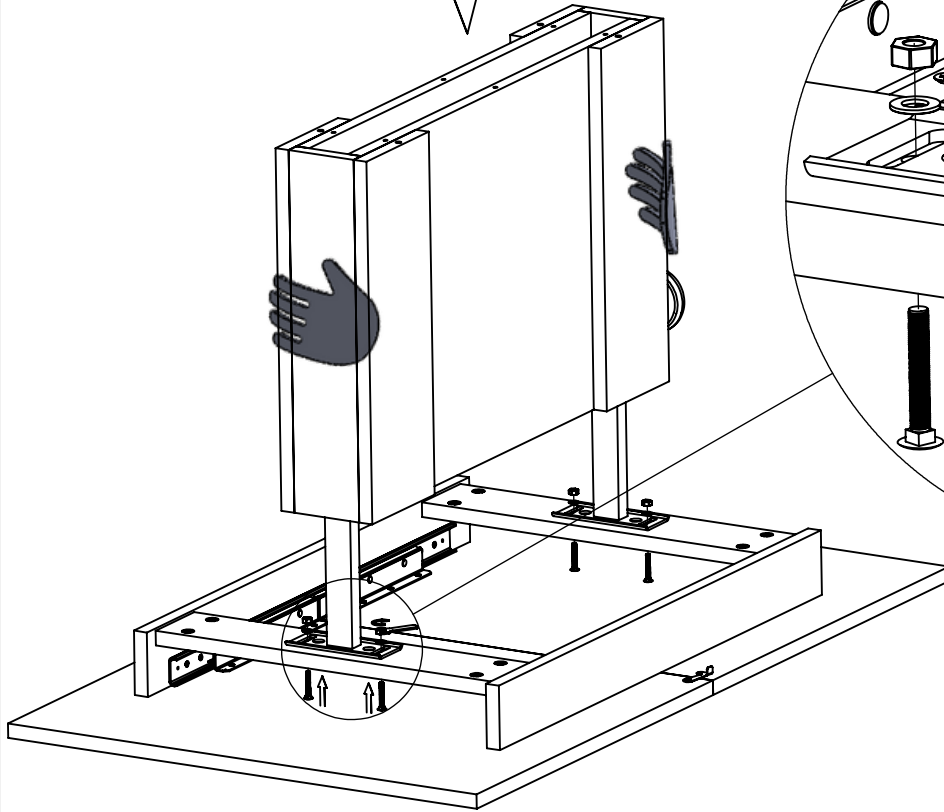


23

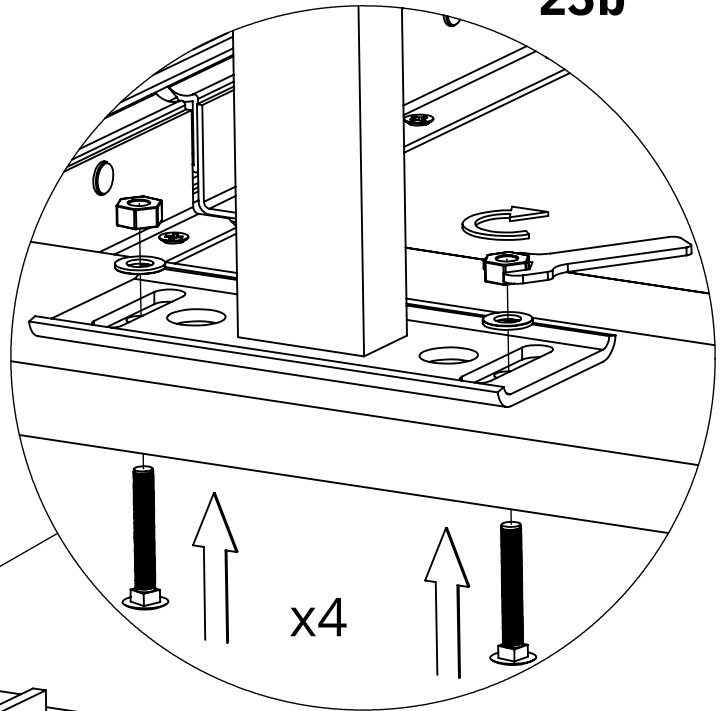
B3  x4 | B4  x4 | B5  x4 | K1  x1



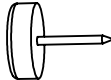
23a

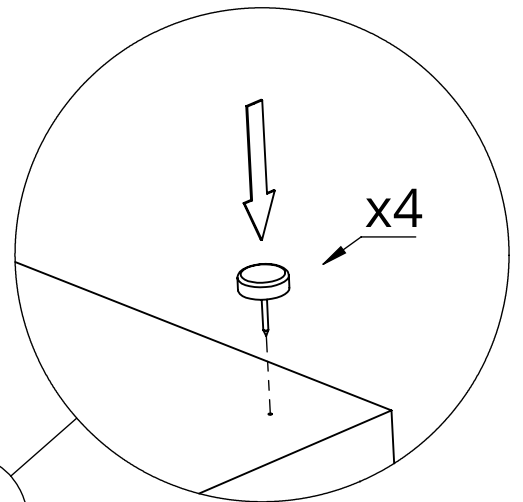
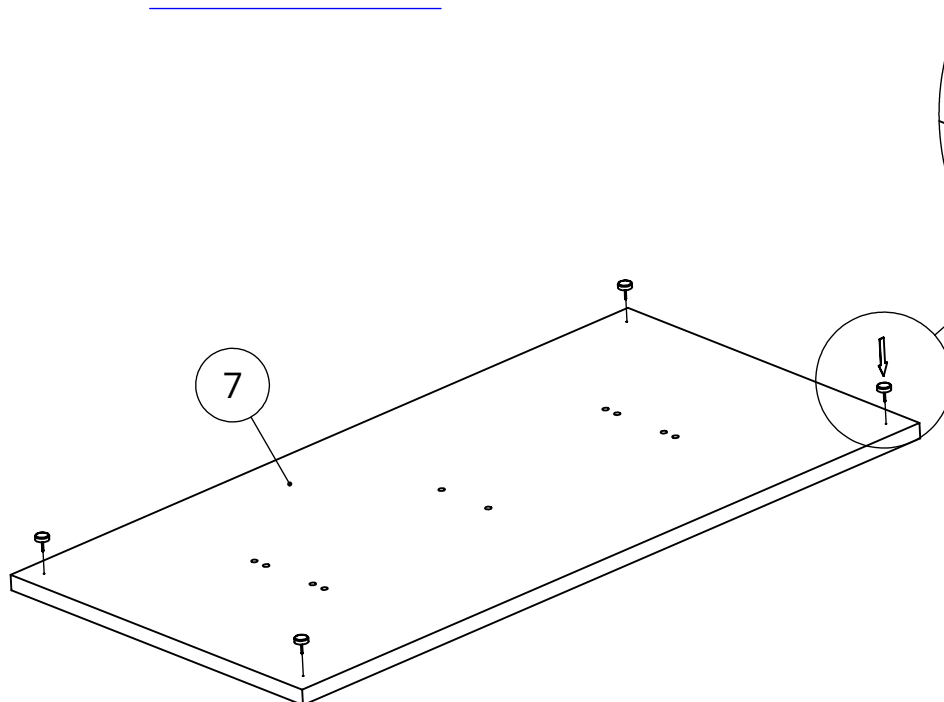


23b



24

B8  x4



25

A4

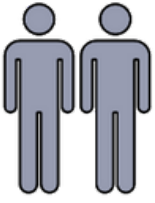


x 10

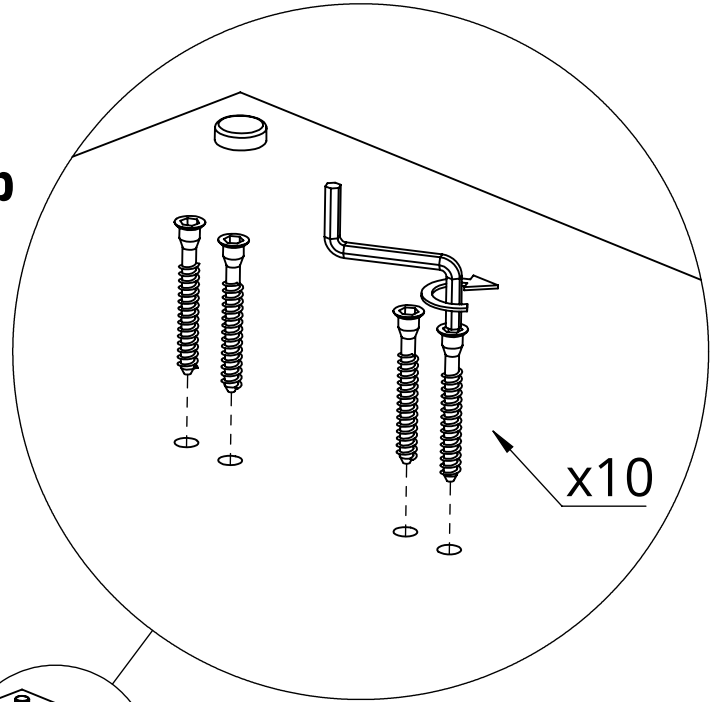
K4



x 1

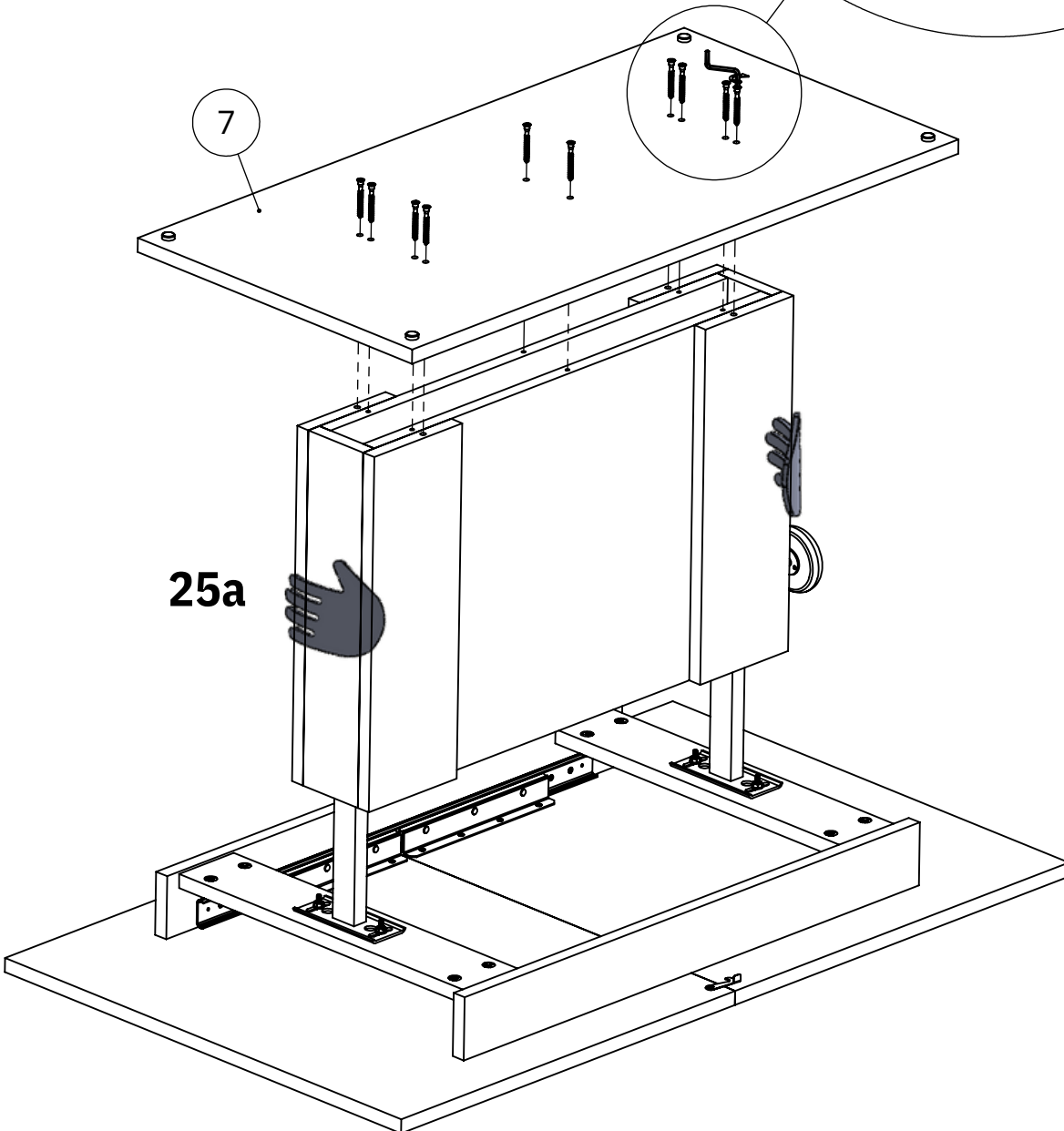


25b

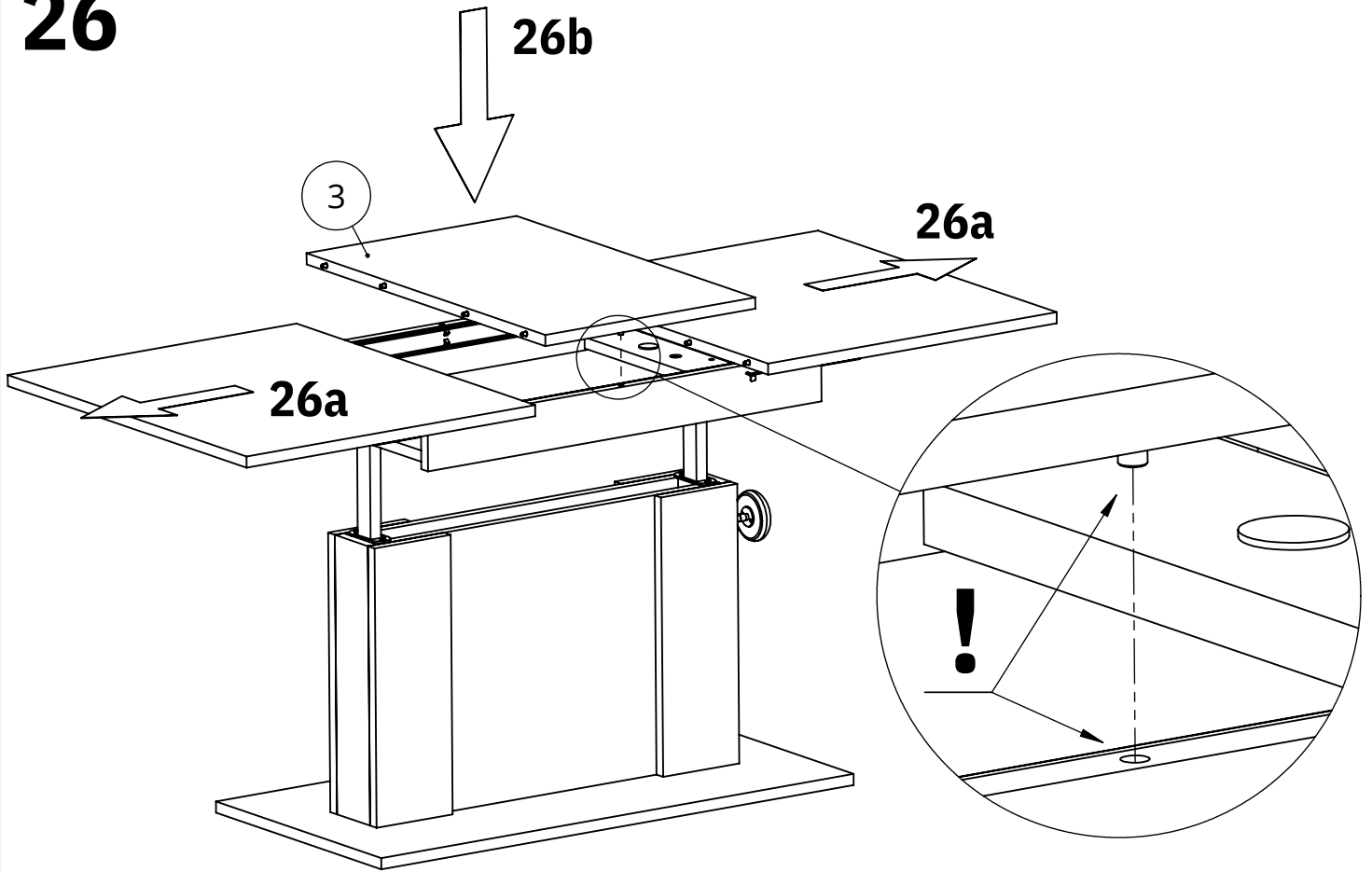


7

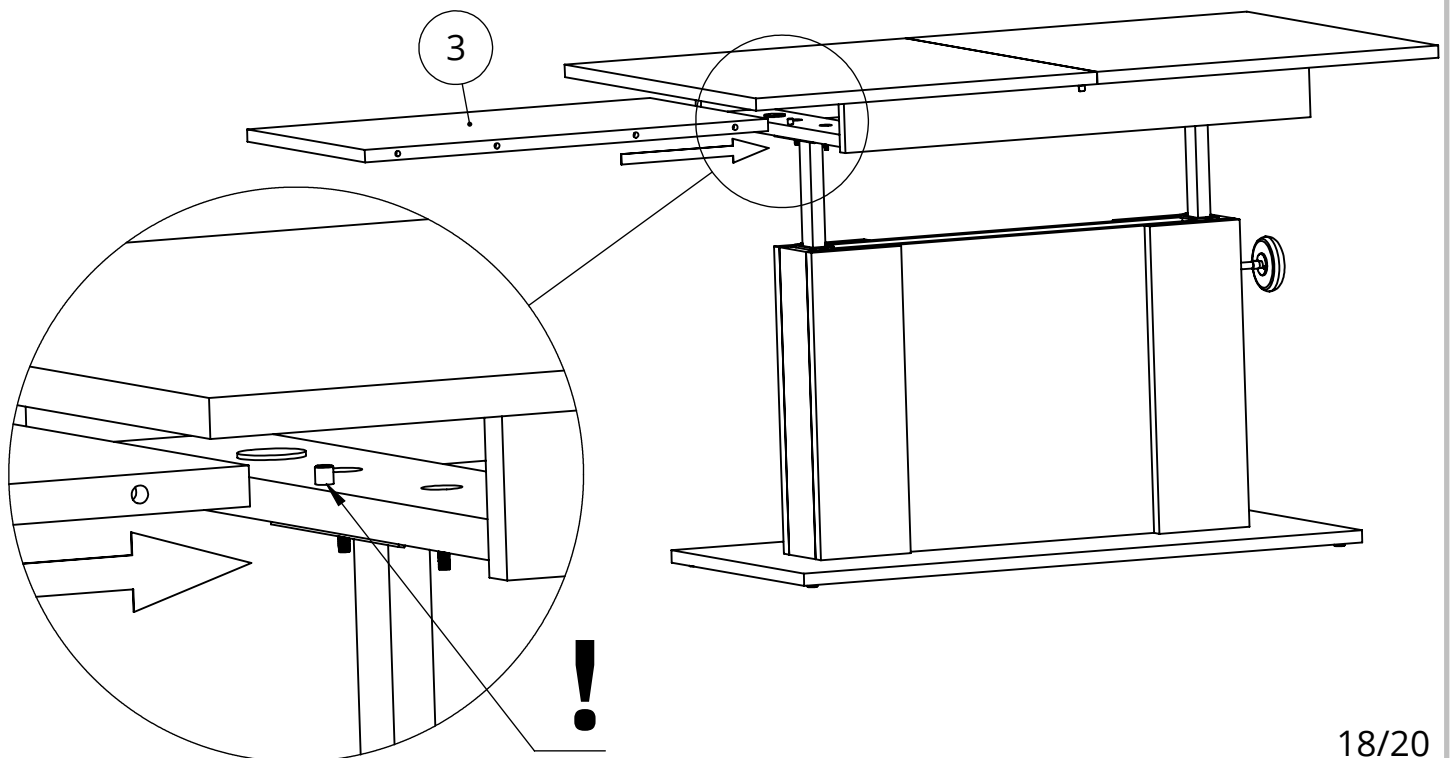
25a



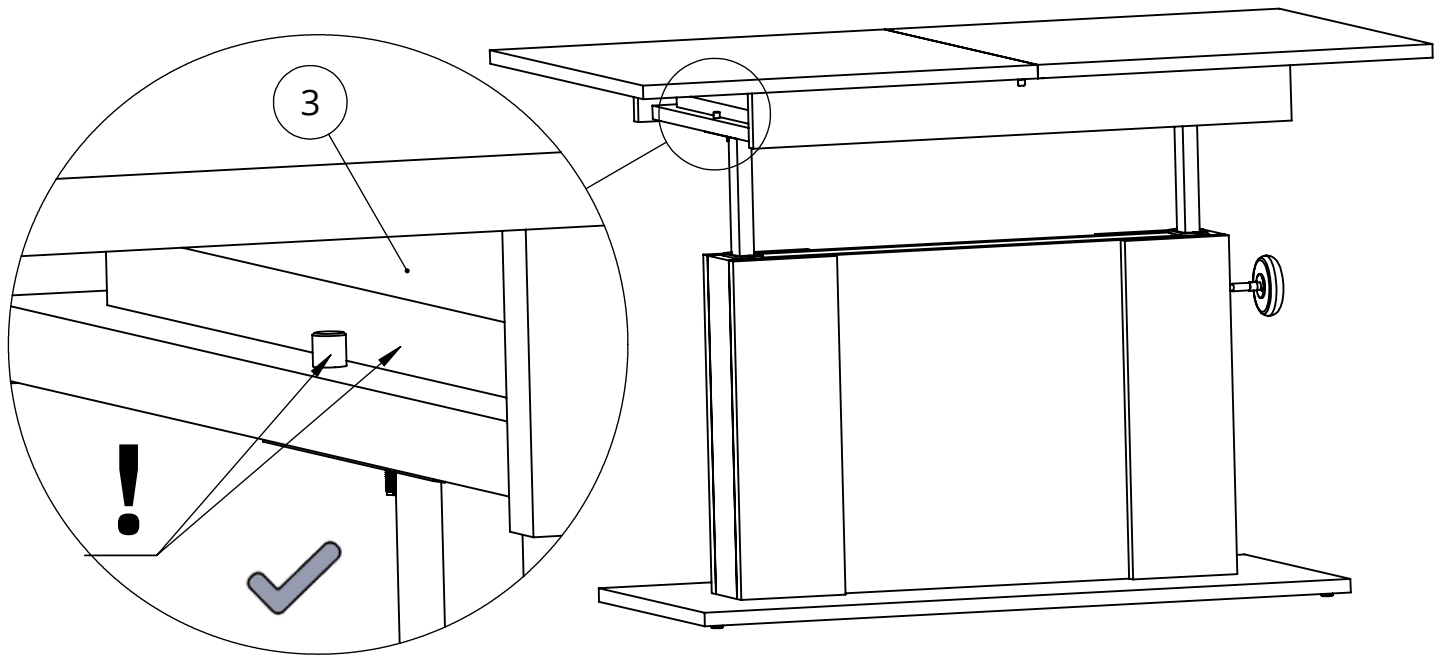
26



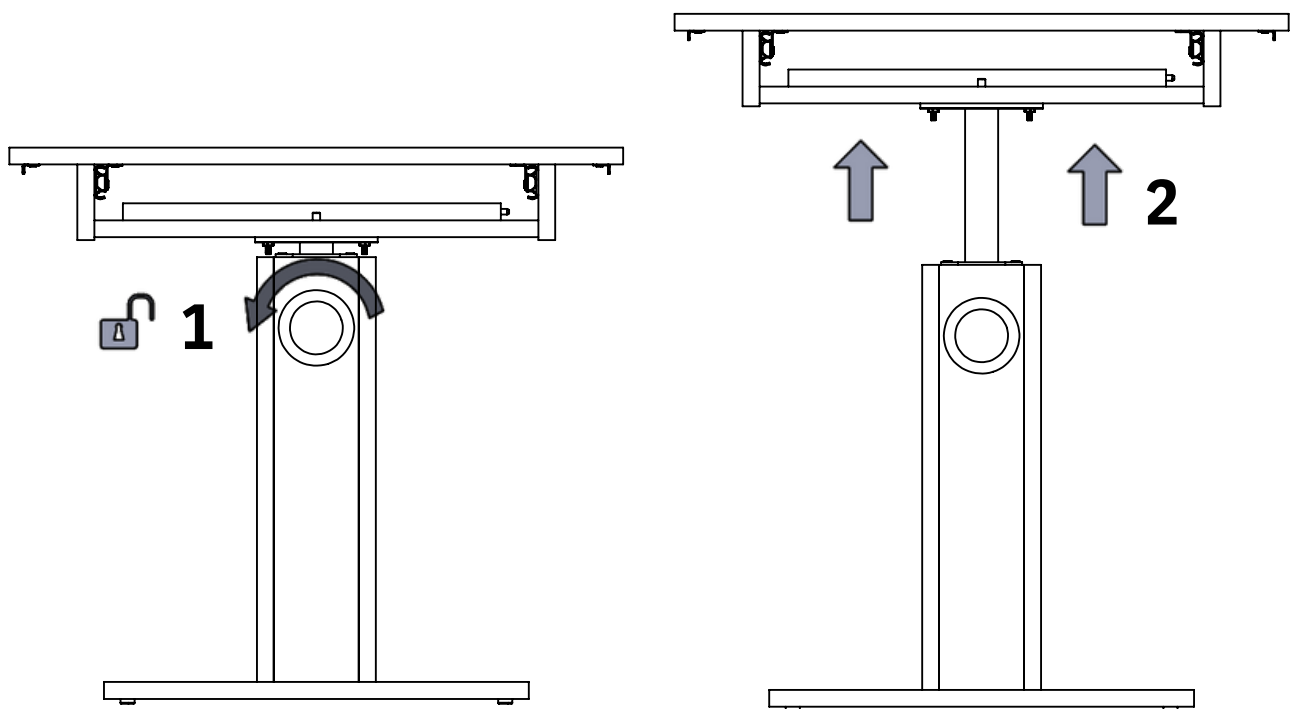
27



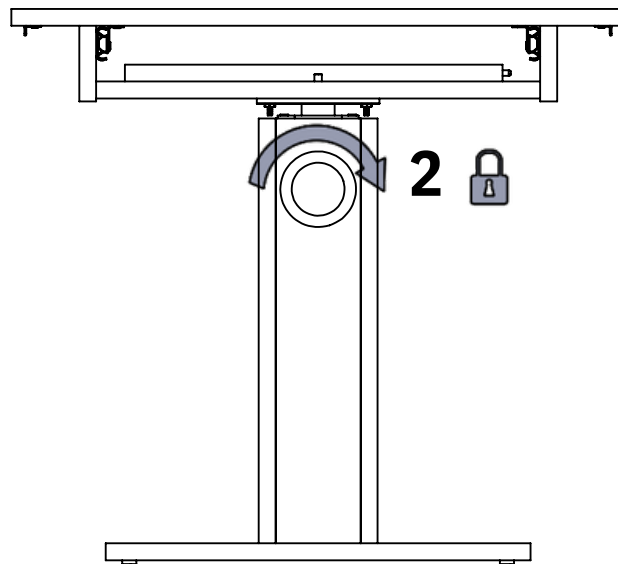
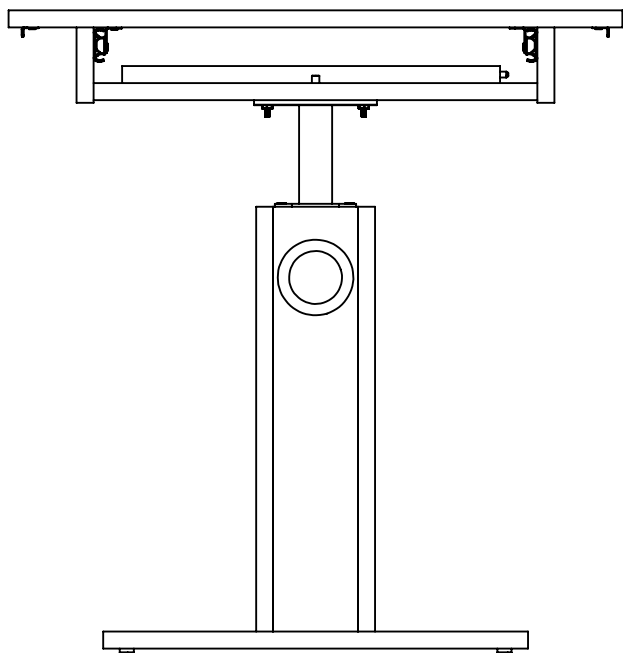
28



29



30



31

