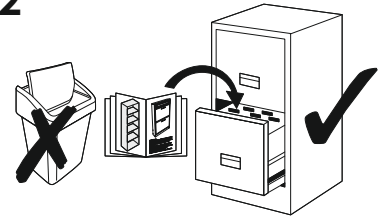
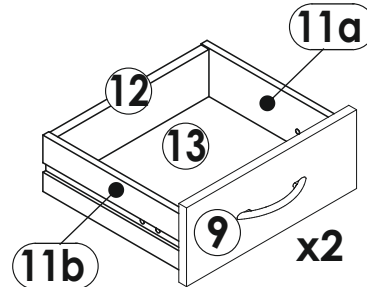
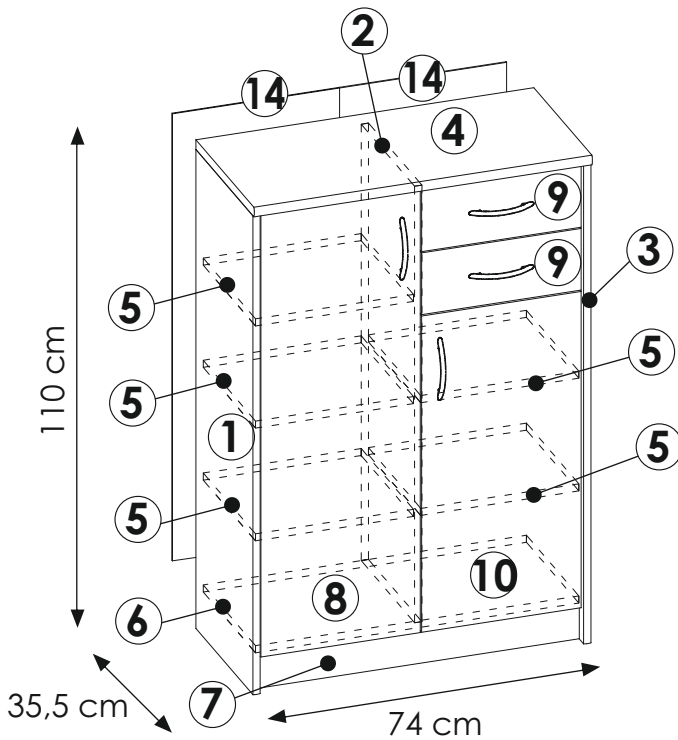

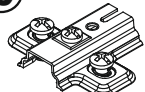
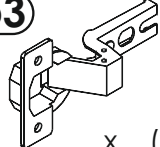


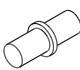


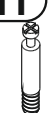

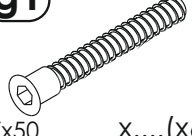
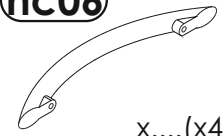
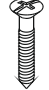

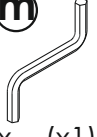
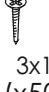
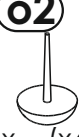

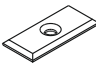

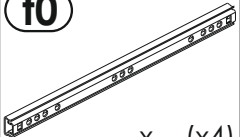


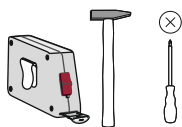
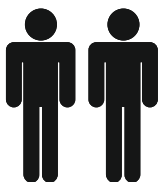
1803

SCONTO

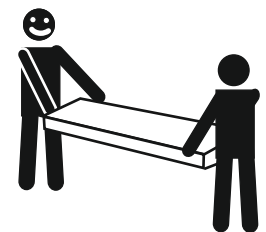
K2-2D-2S

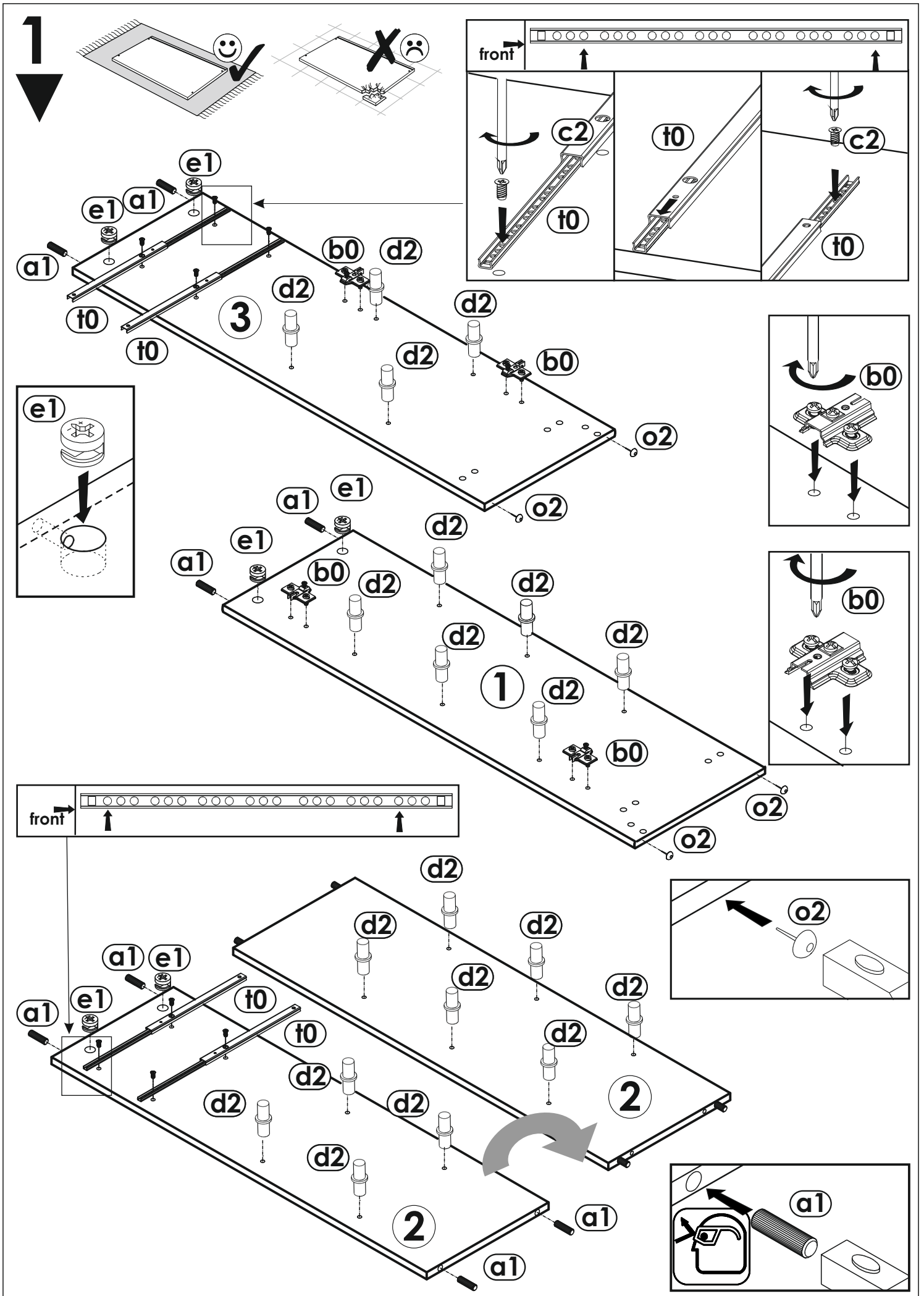


a1  8x35 x....(x24)	b0  x....(x4)	b3  x....(x4)	c1  Euro 4x13 x....(x8)	c2  Euro 5x13 x....(x8)	d2  x....(x20)	e0  x....(x6)
e1  x....(x6)	f1  x....(x6)	g0  x....(x6)	g1  7x50 x....(x6)	hc06  x....(x4)	i4  3,5x27 x....(x8)	k1  4x9 x....(x4)
m  x....(x1)	n1  3x16 x....(x50)	o2  x....(x4)	p0  x....(x4)	r1  x....(x8)	s  x....(x1)	t0  x....(x4)

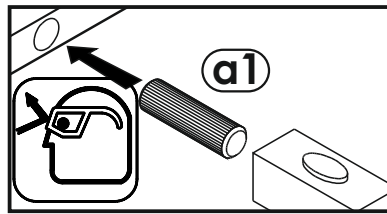
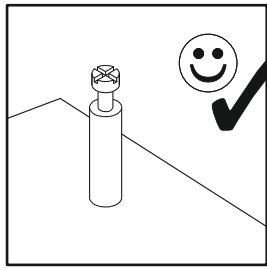
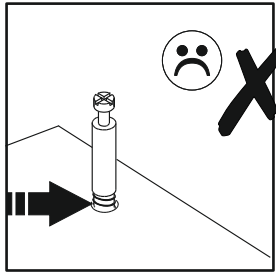
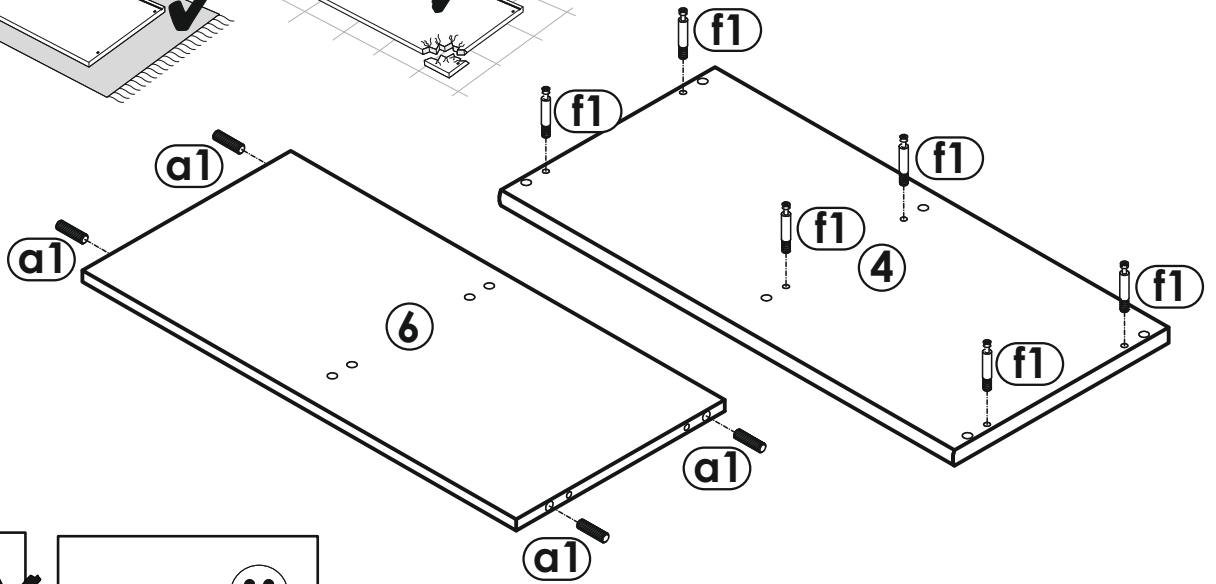
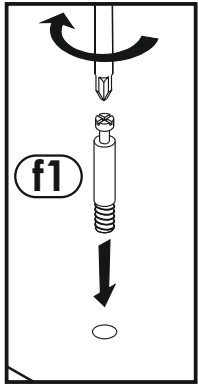
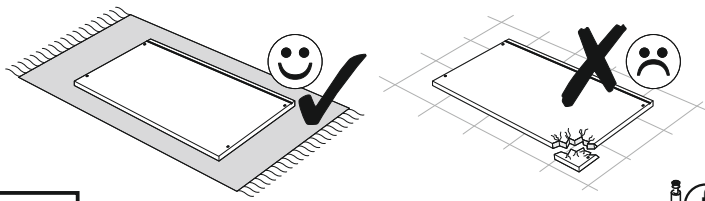


- 90 min.

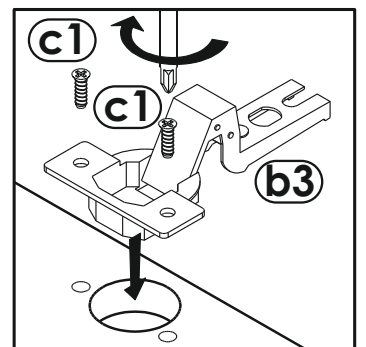
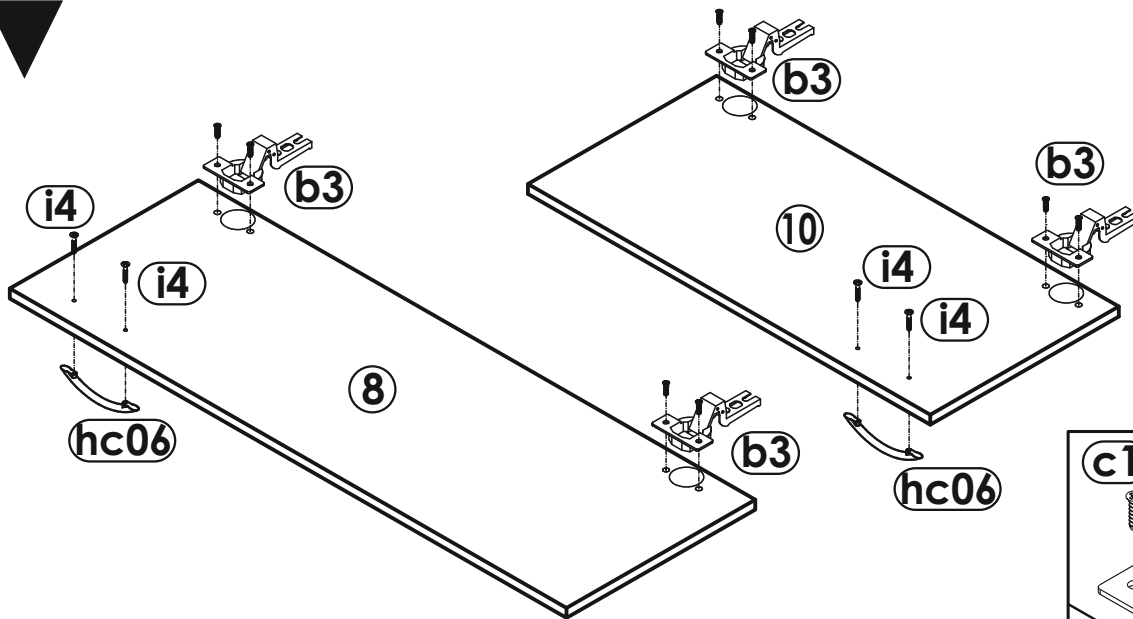




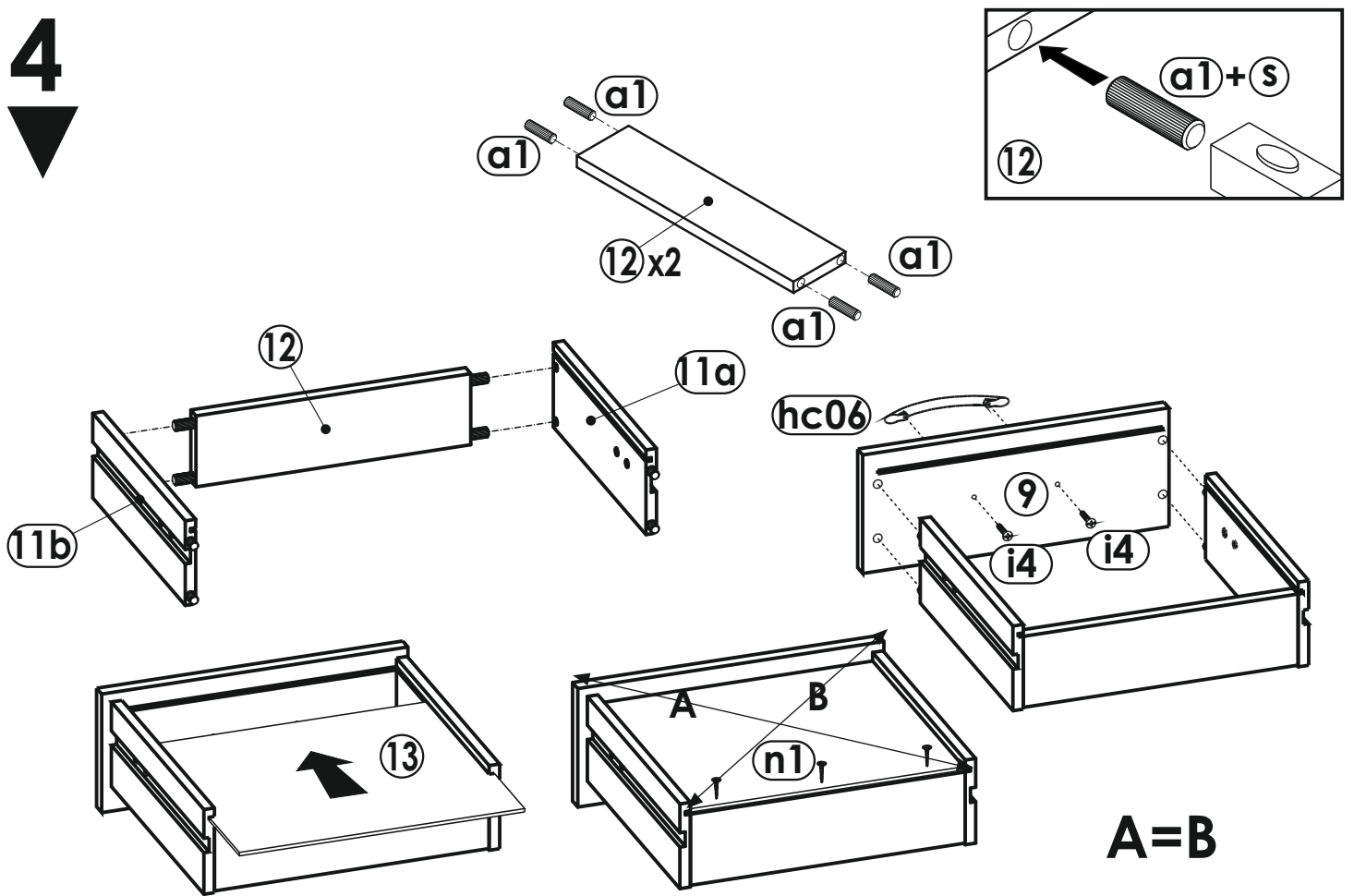
2



3



4
▼



5
▼

