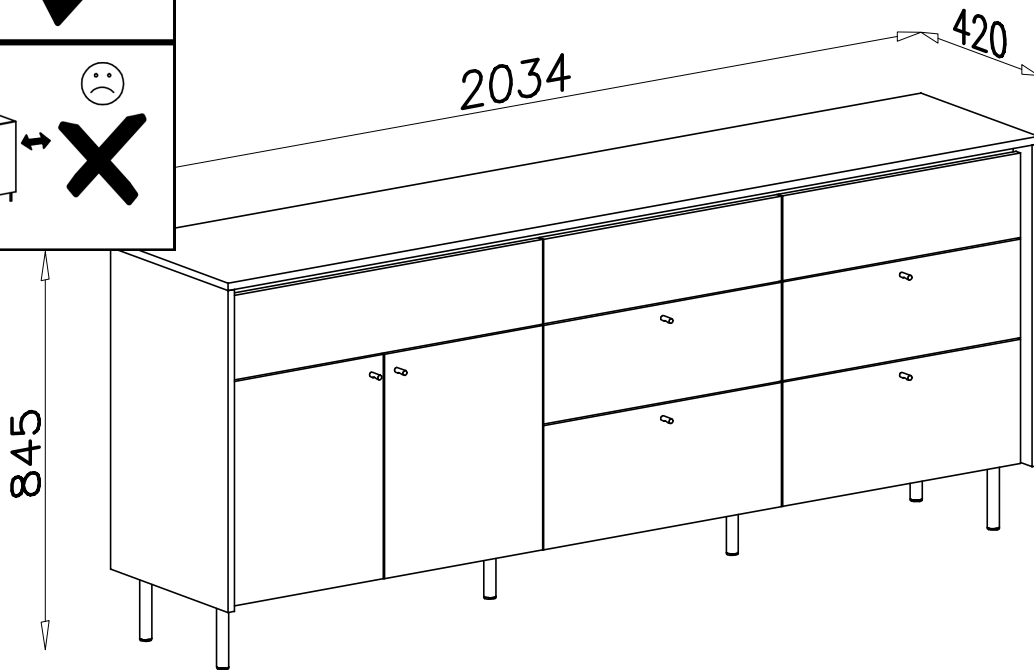
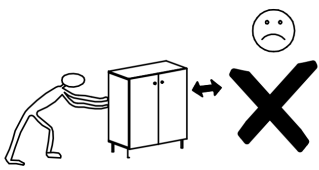
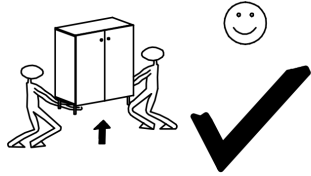
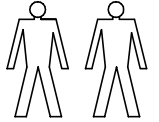
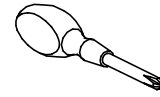
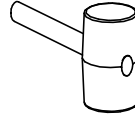
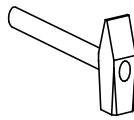
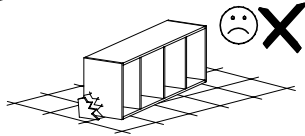
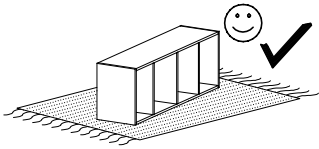

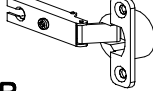

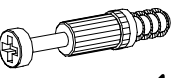
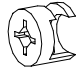


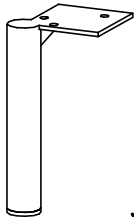
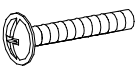

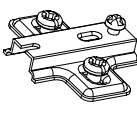
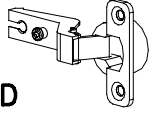


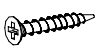
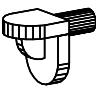
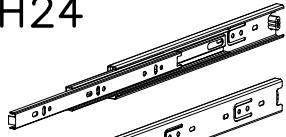


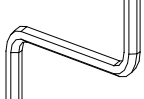



MALTA MA 5

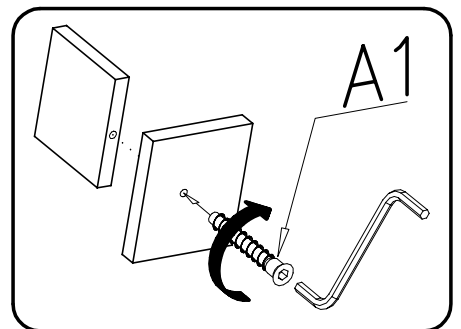
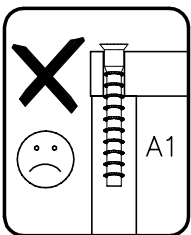
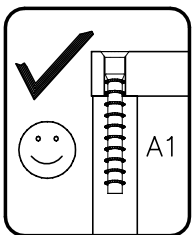
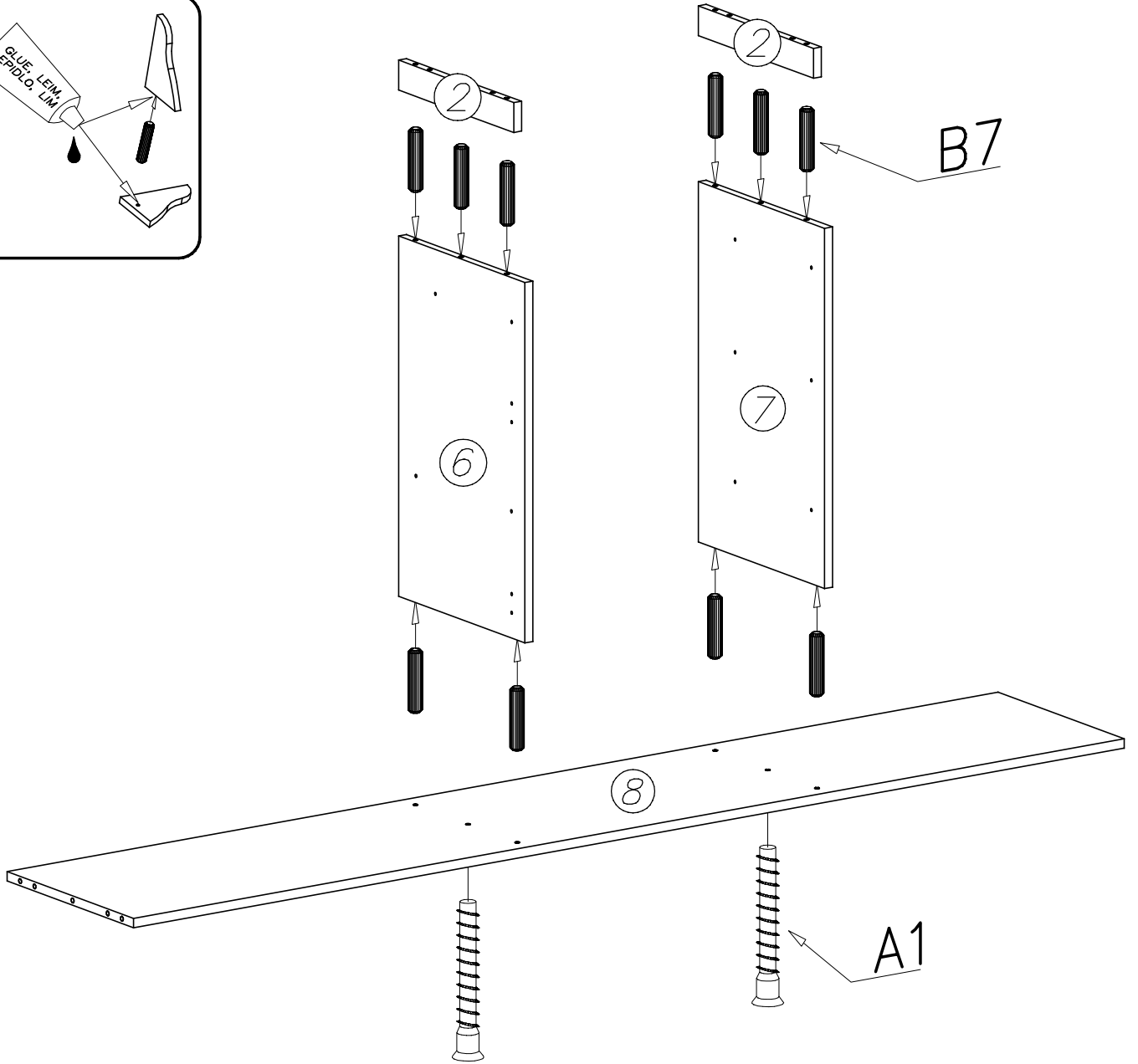
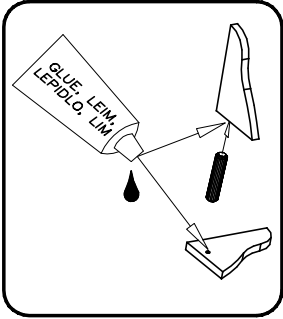
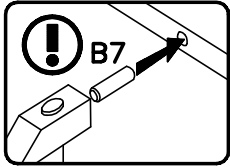
PRODUCENT/PRODUCER/Výrobce/Výrobca:
 FABRYKA MEBLI "MEBLAR" SP. J
 63-604 Baranów ul. Budka 7 Polska
 biuro@meblar.com.pl
 tel. + 48 62 791 20 41

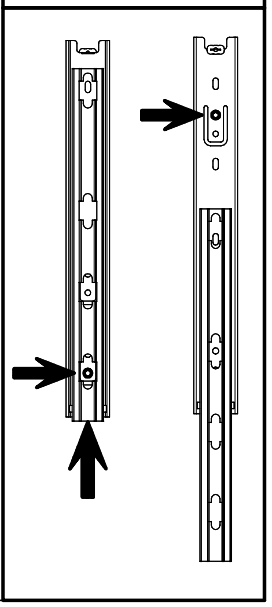
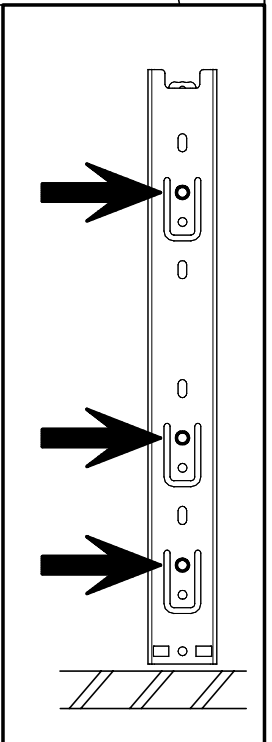
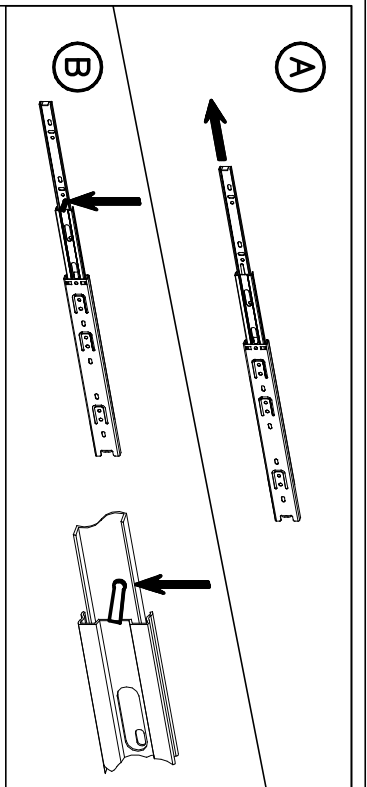
MADE IN POLAND



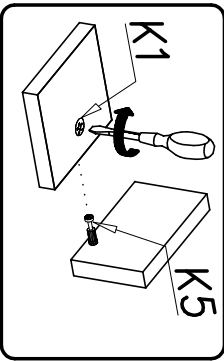
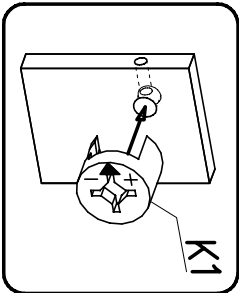
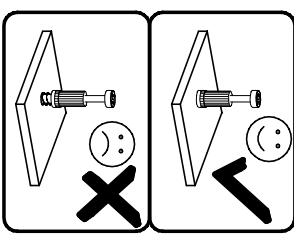
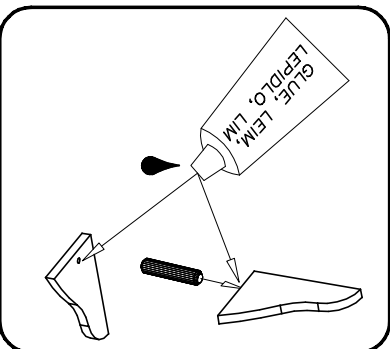
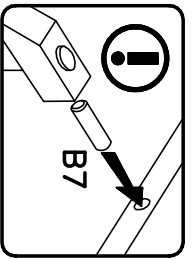
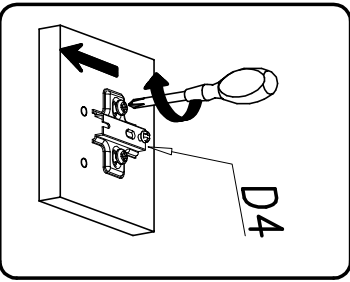
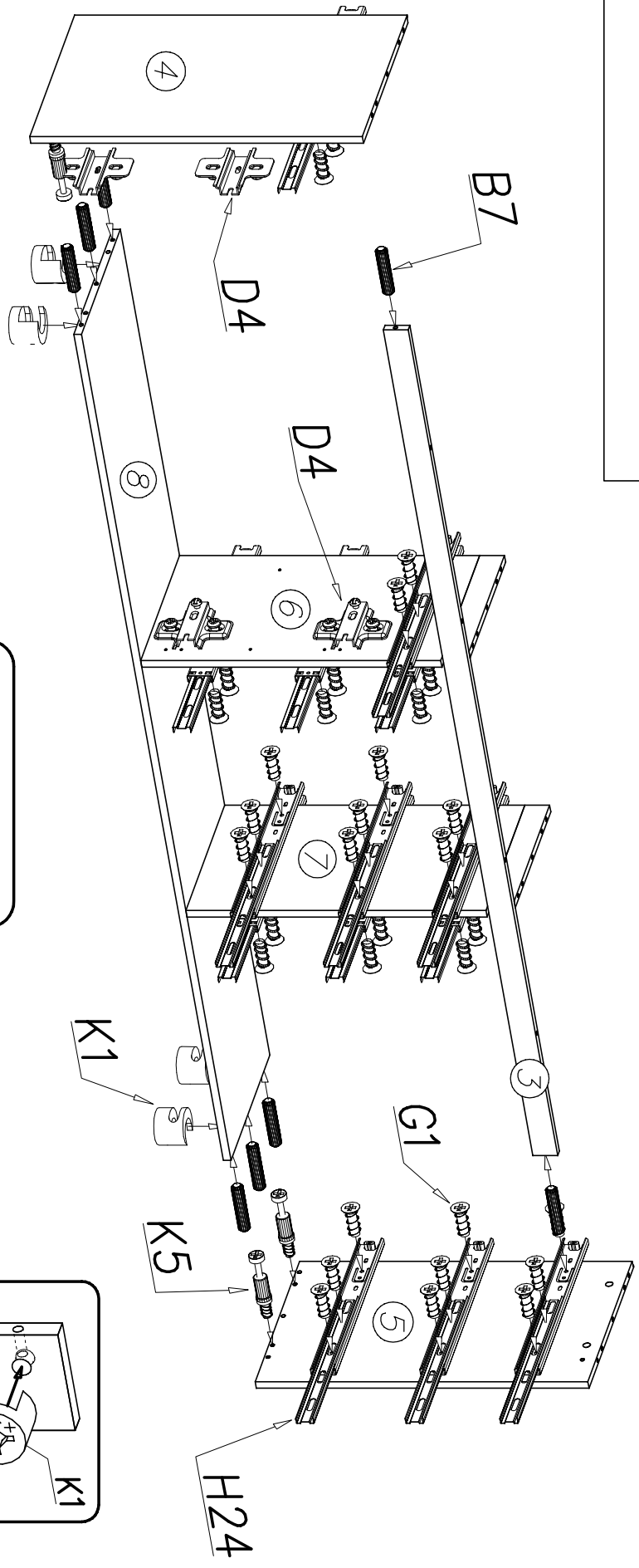
		S1  665mm x3	C3  Z35PR x2	I7  Ø18 x16
K5  x16	K1  Ø15x12 x16	S2  x10	G10  6x13 x18	P7  x6
N13  M4x22 x6	W1  x5	D4  PZ35 x4	C4  Z350D x2	
E13  x6	G4  4x16 x8	G2  3x20 x80	F1  x4	H24  350mm x7
A1  Ø7x50 x2	B7  Ø8x30 x86	W2  x1	G1  4x13 x70	

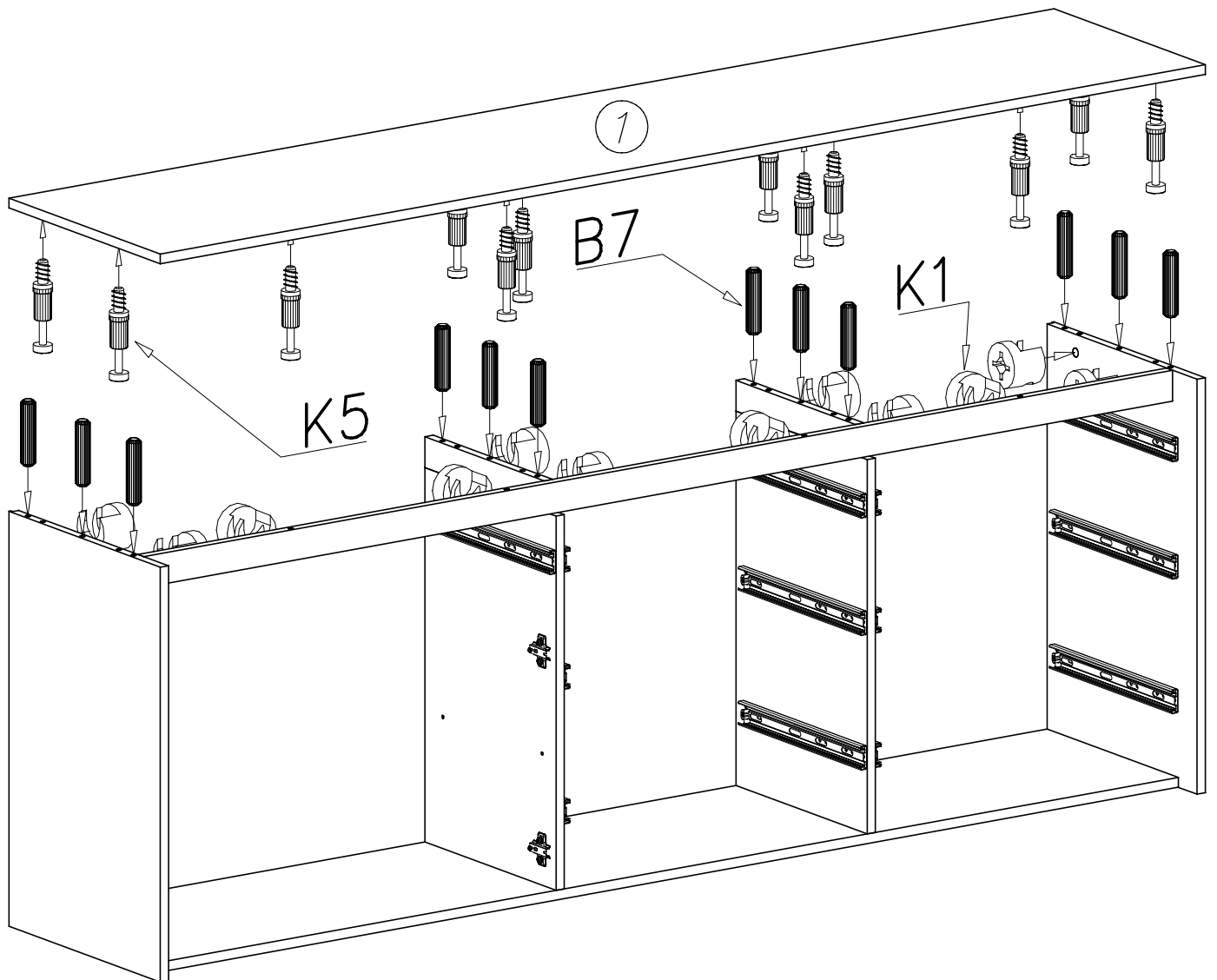
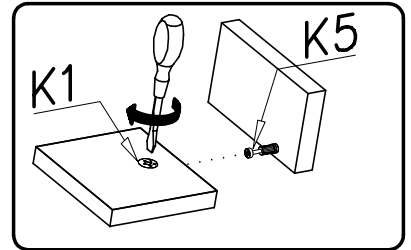
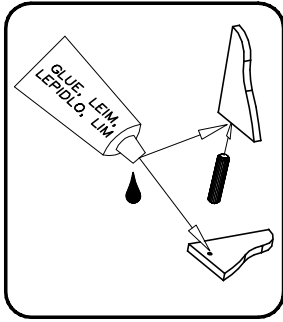
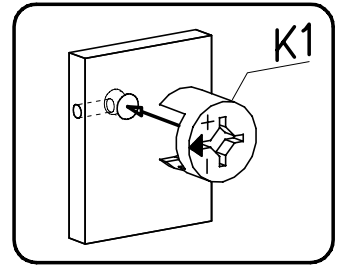
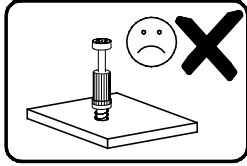
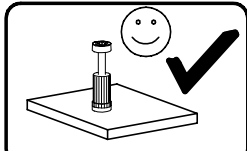
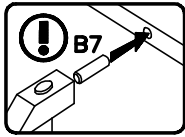
1

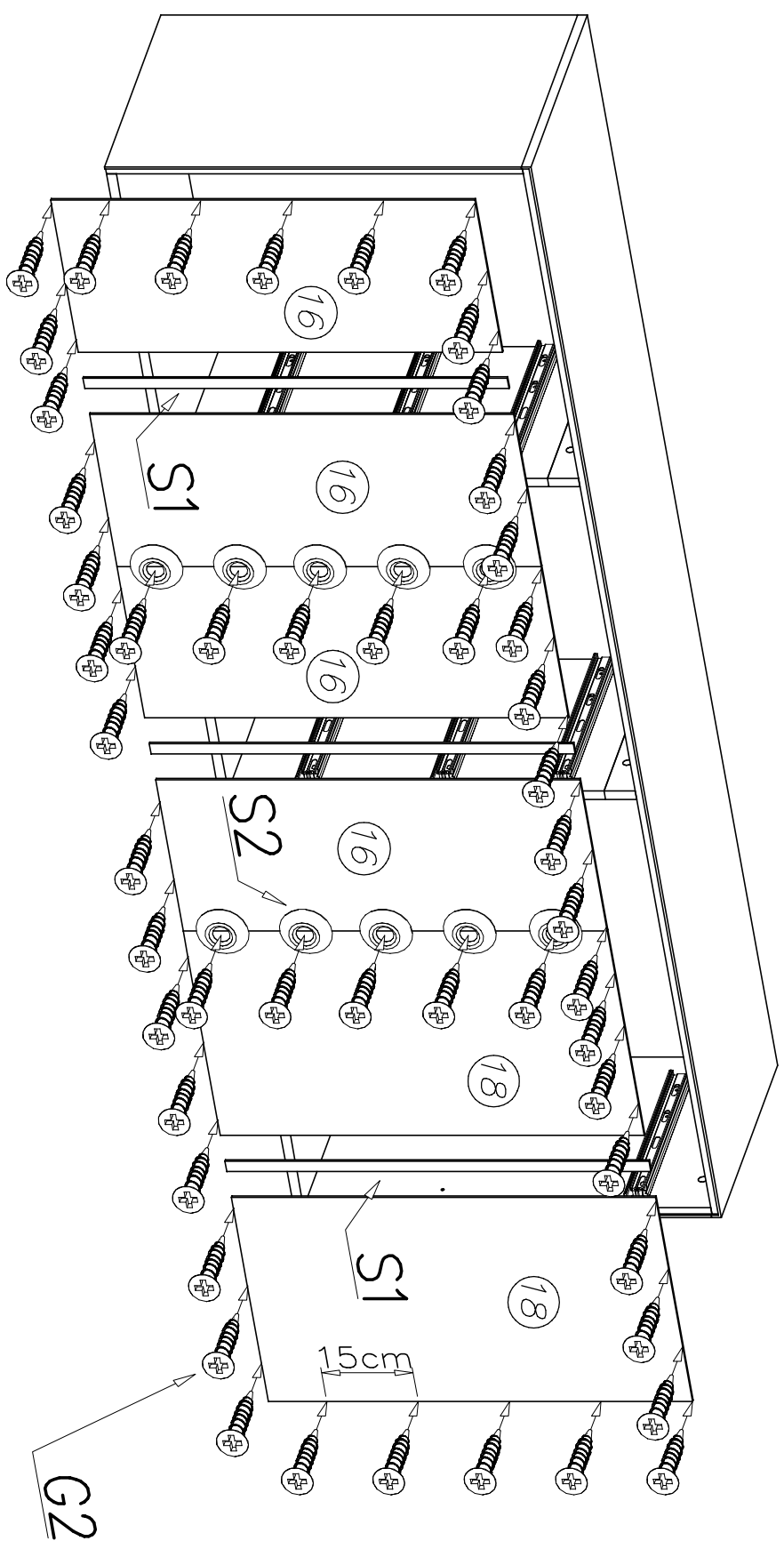
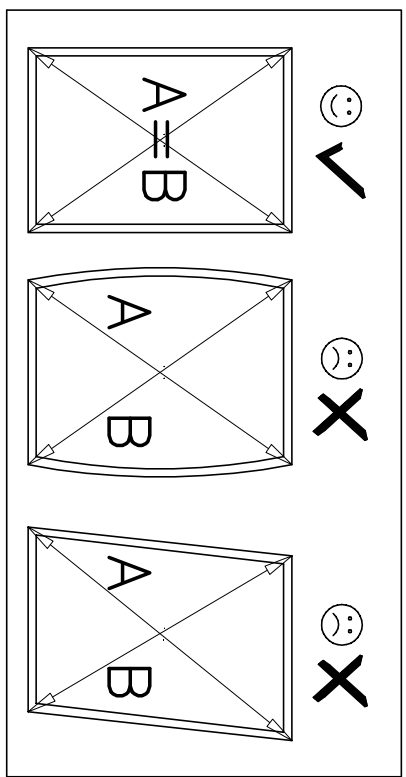




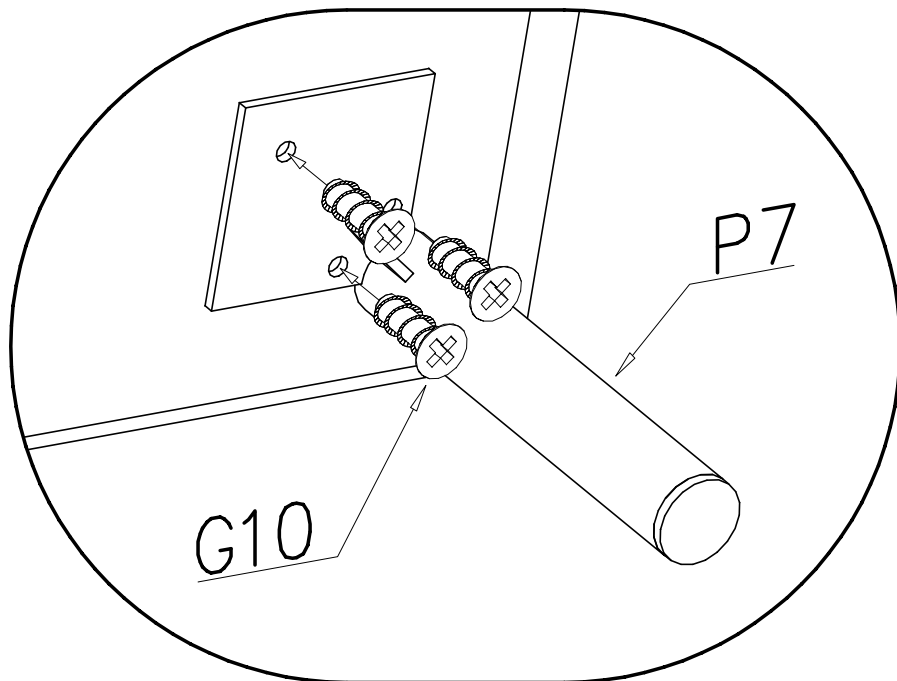
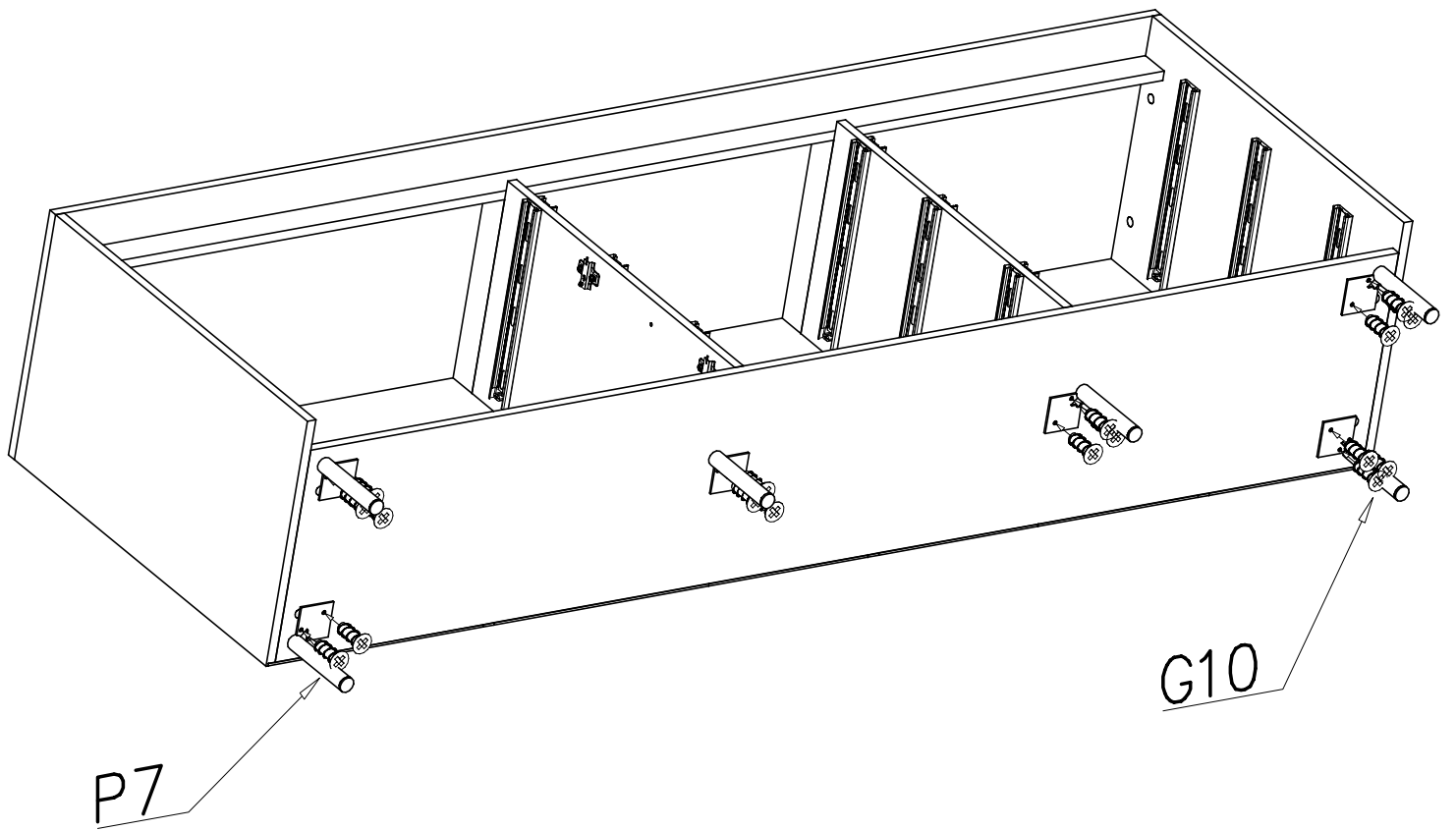
11



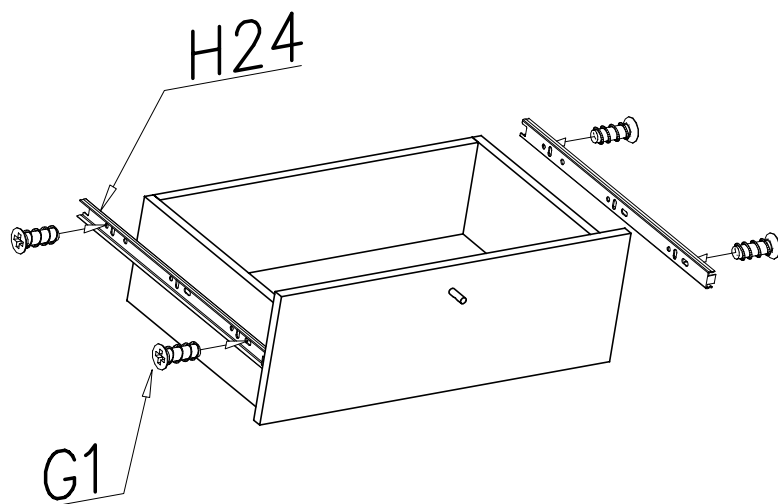
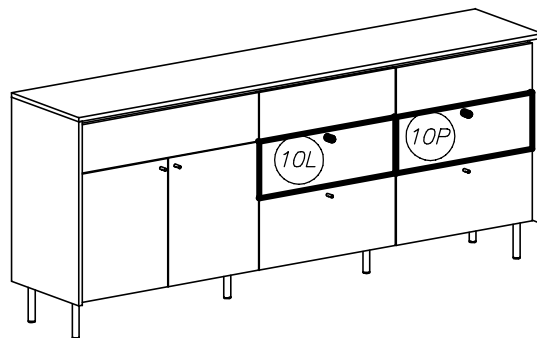
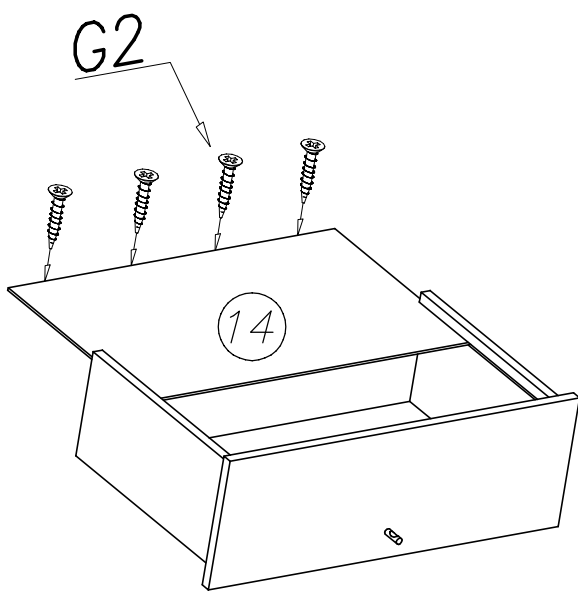
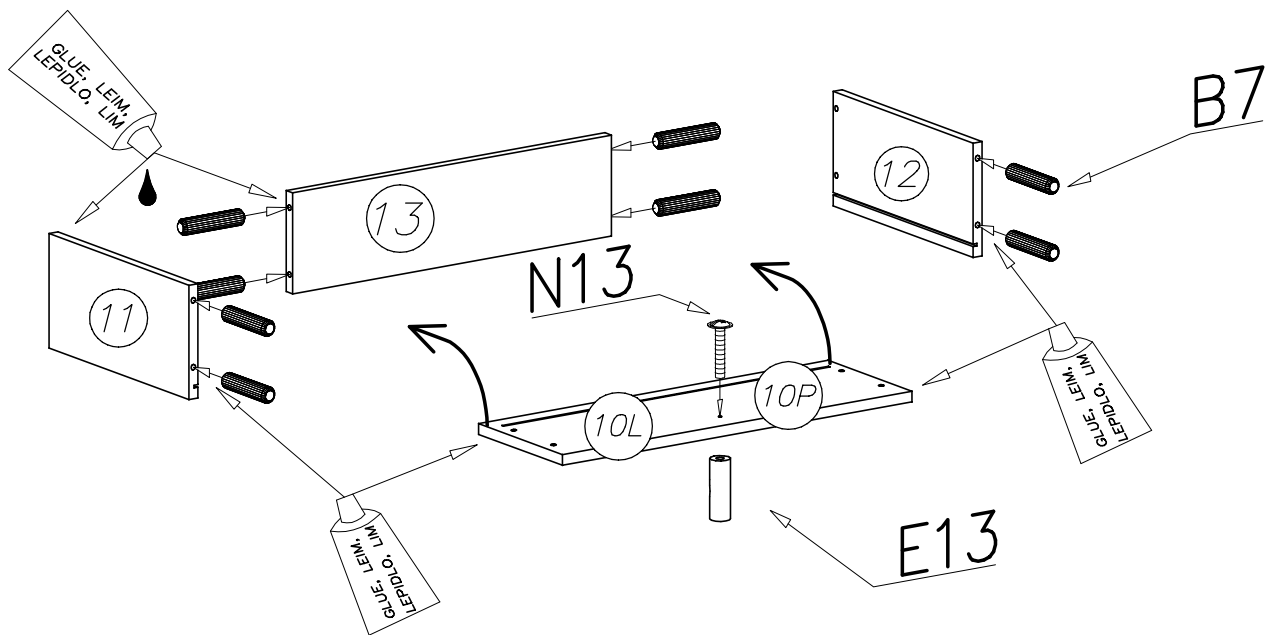




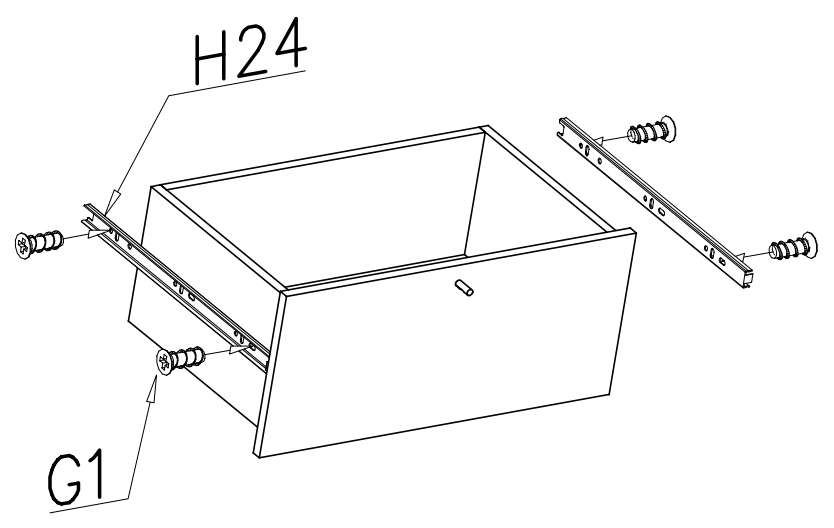
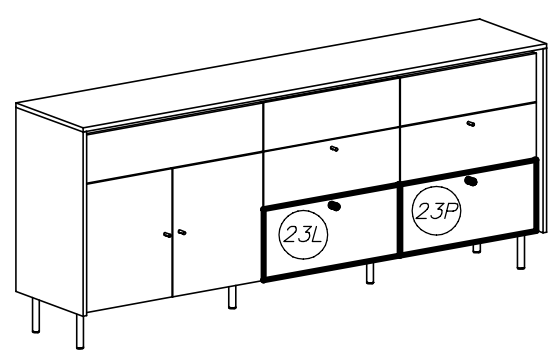
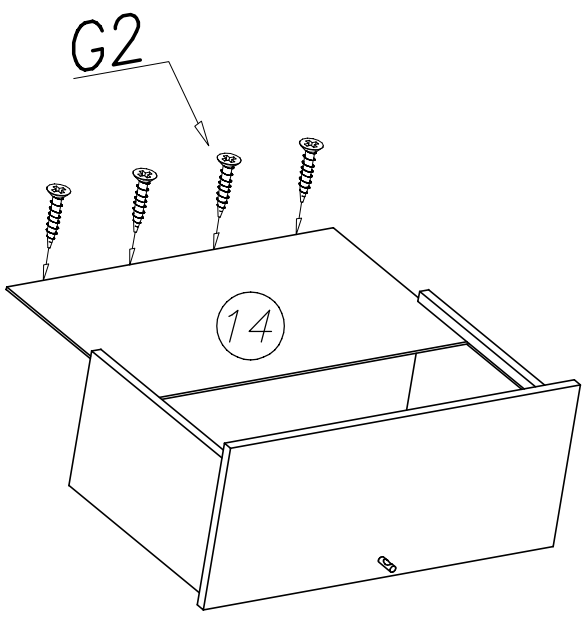
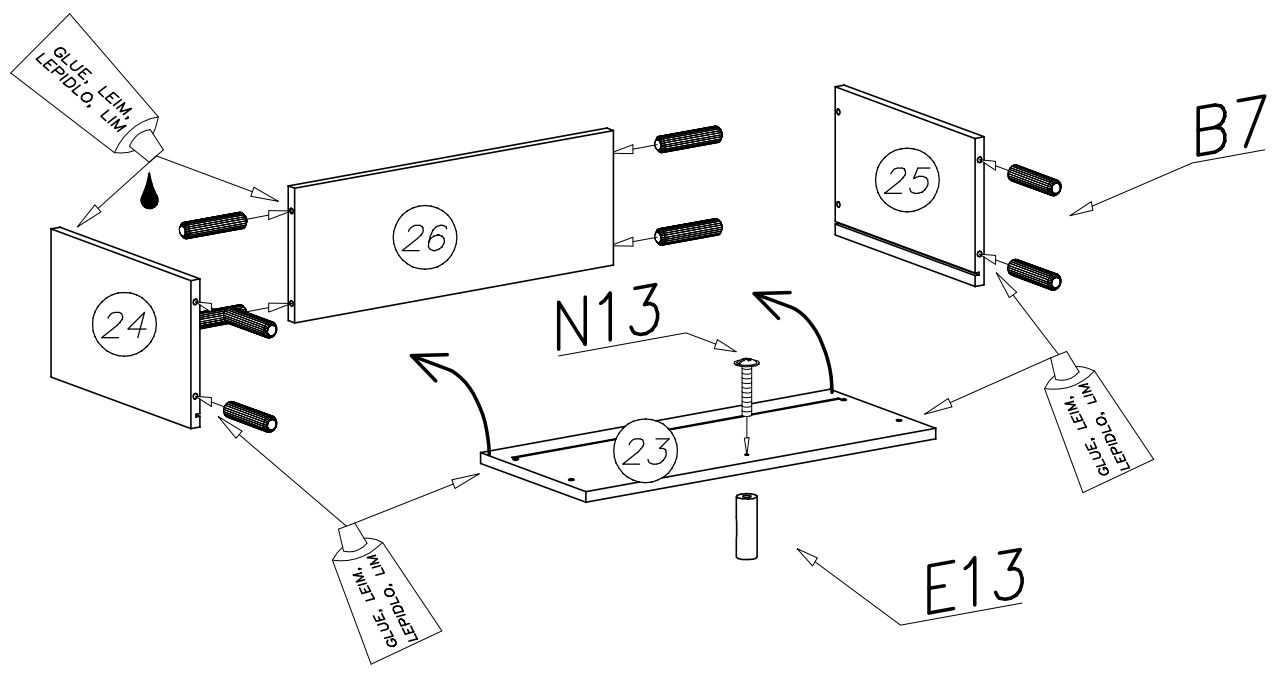
V



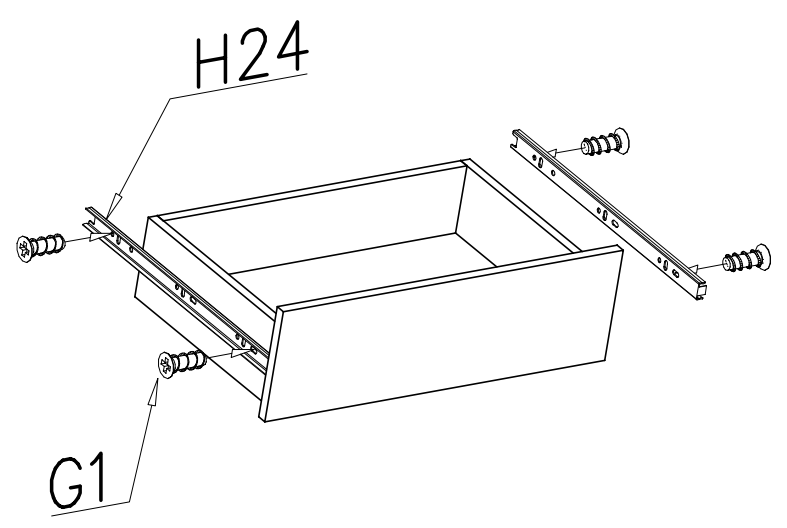
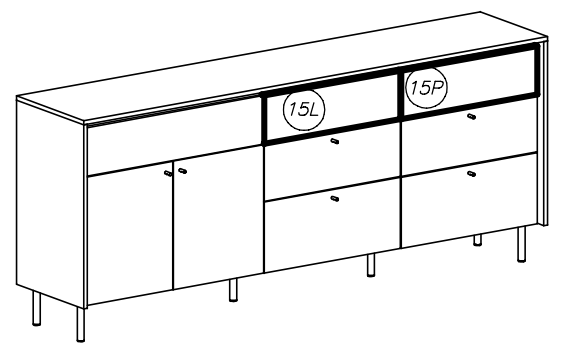
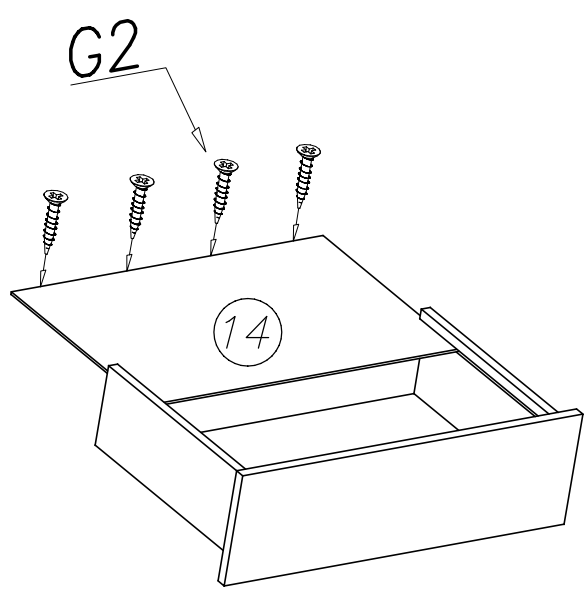
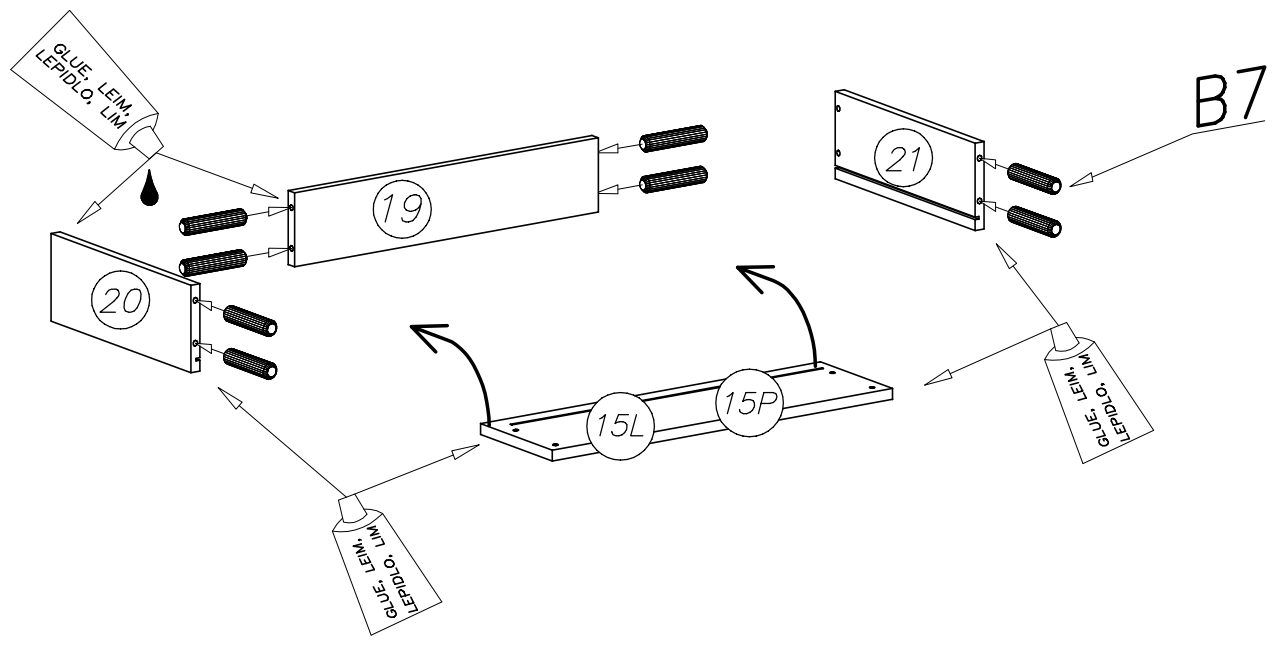
VI



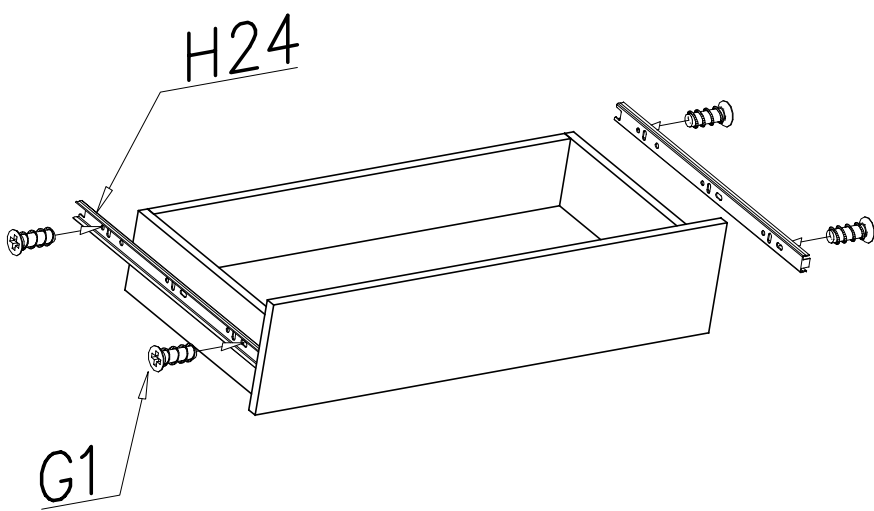
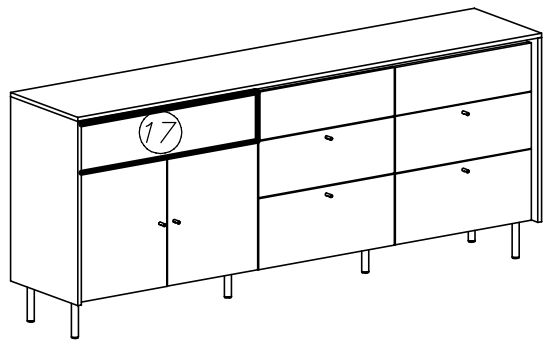
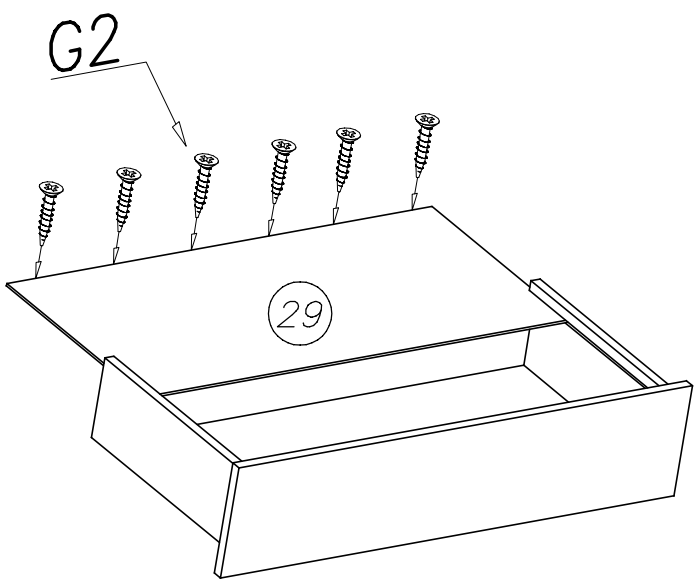
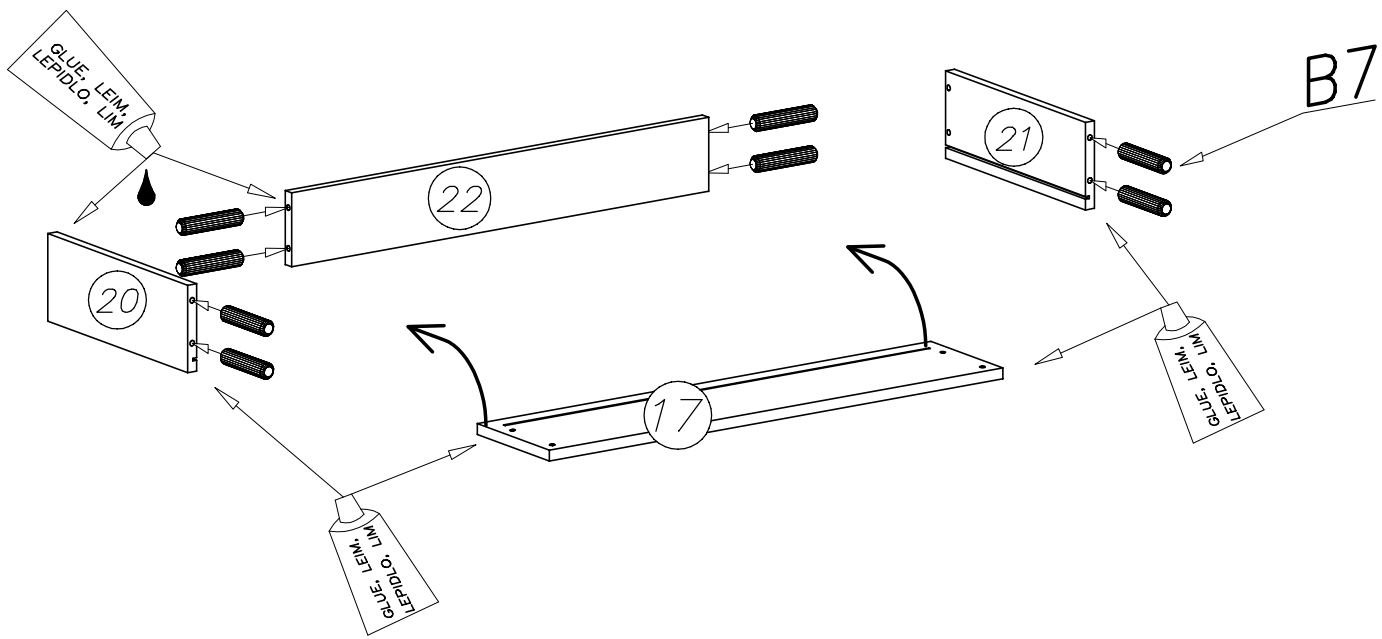
VII



VIII

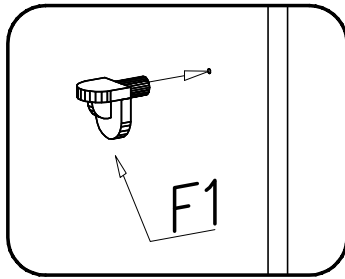


IX

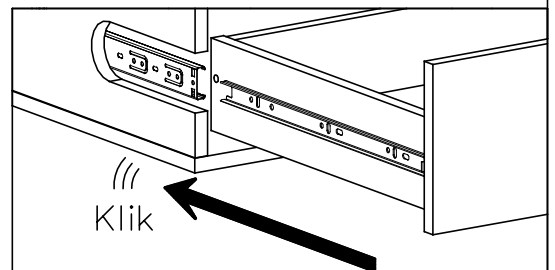
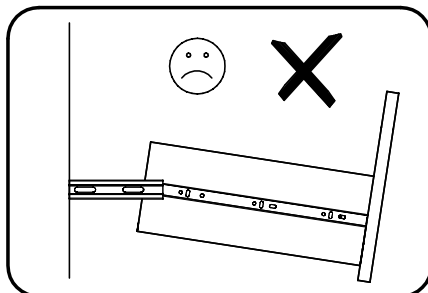
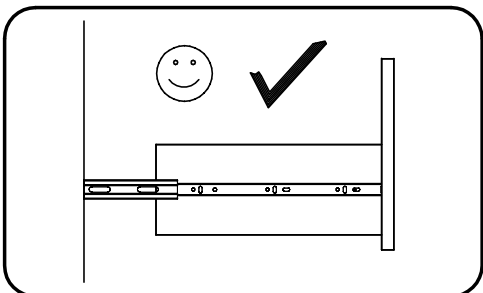
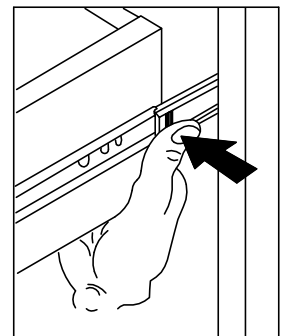
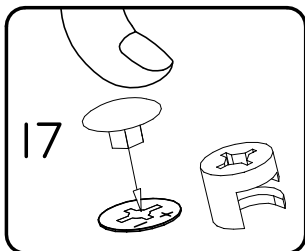
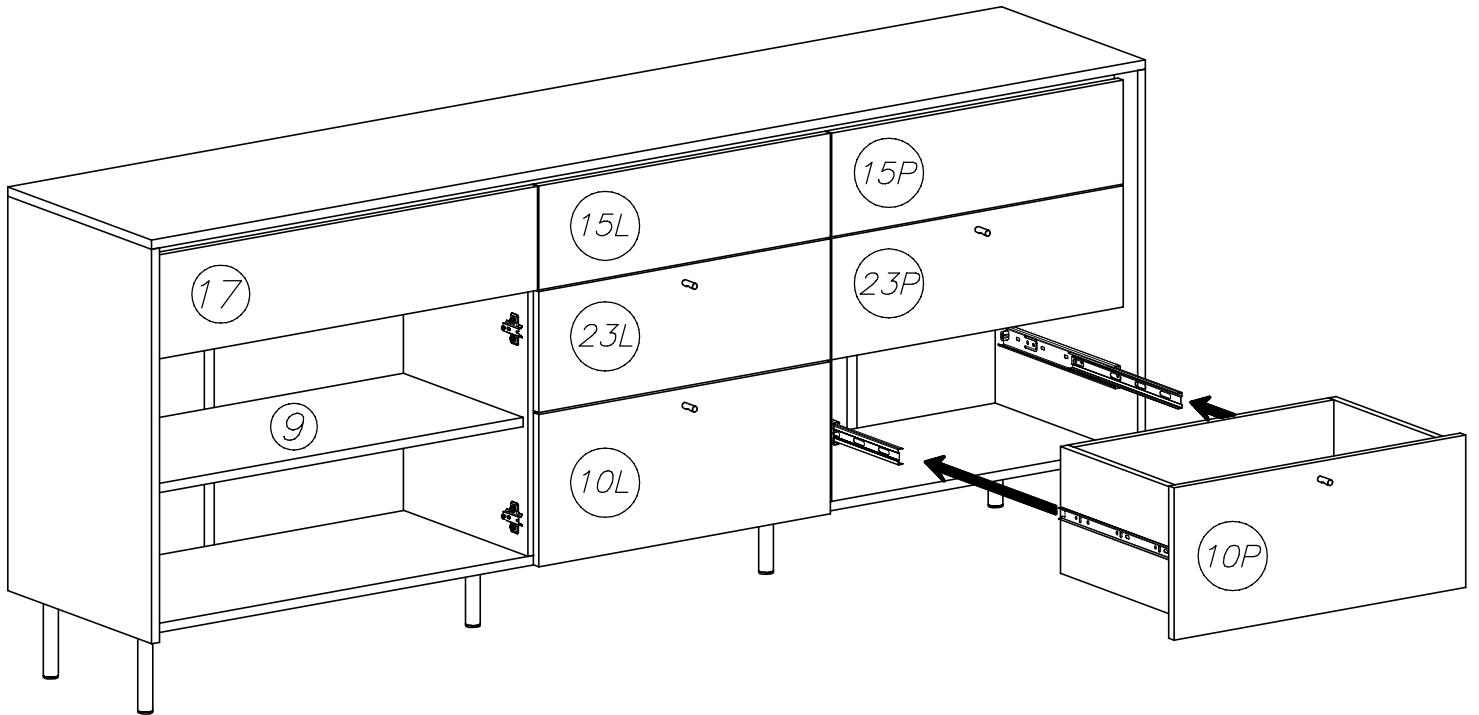
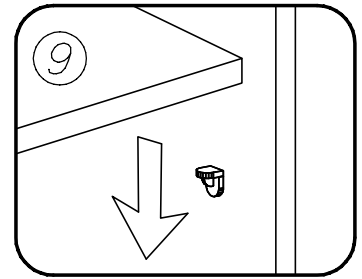


(X)

1



2



XI

